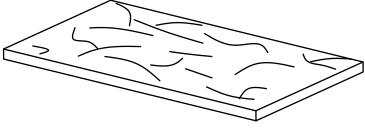
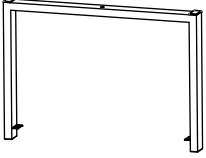
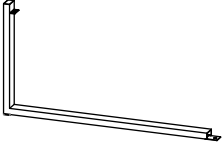
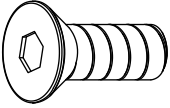

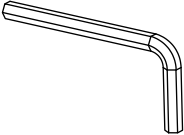
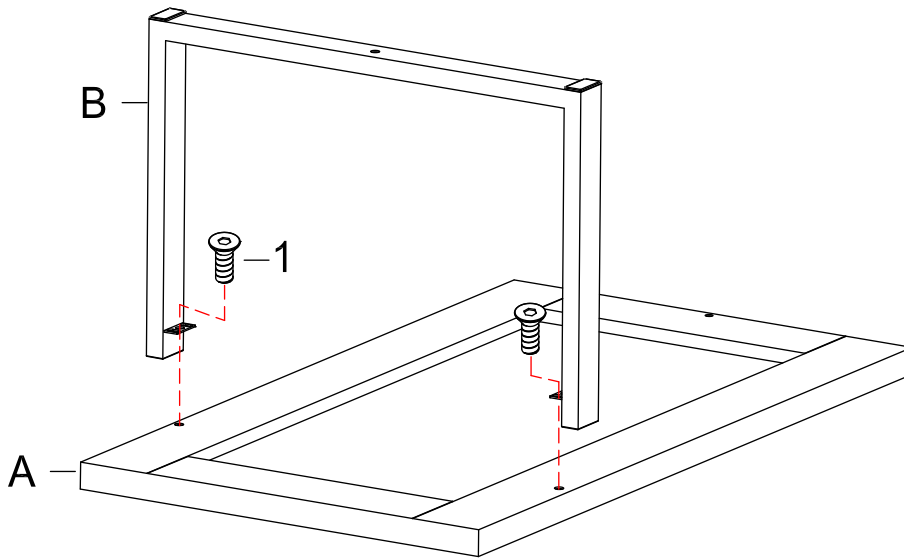


## **ASSEMBLY INSTRUCTIONS**

<b>A</b>	<b>B</b>	<b>C</b>
 <p><b>WOOD TOP</b> 1PC</p>	 <p><b>LARGE LEG</b> 1PC</p>	 <p><b>SMALL LEG</b> 1PC</p>
<p><b>1</b></p>	<p><b>2</b></p>	<p><b>3</b></p>
 <p><b>BOLT 1/4" X 1/2"</b> 4PCS</p>	 <p><b>END CAP</b> 3PCS</p>	 <p><b>ALLEN WRENCH</b> 1PC</p>

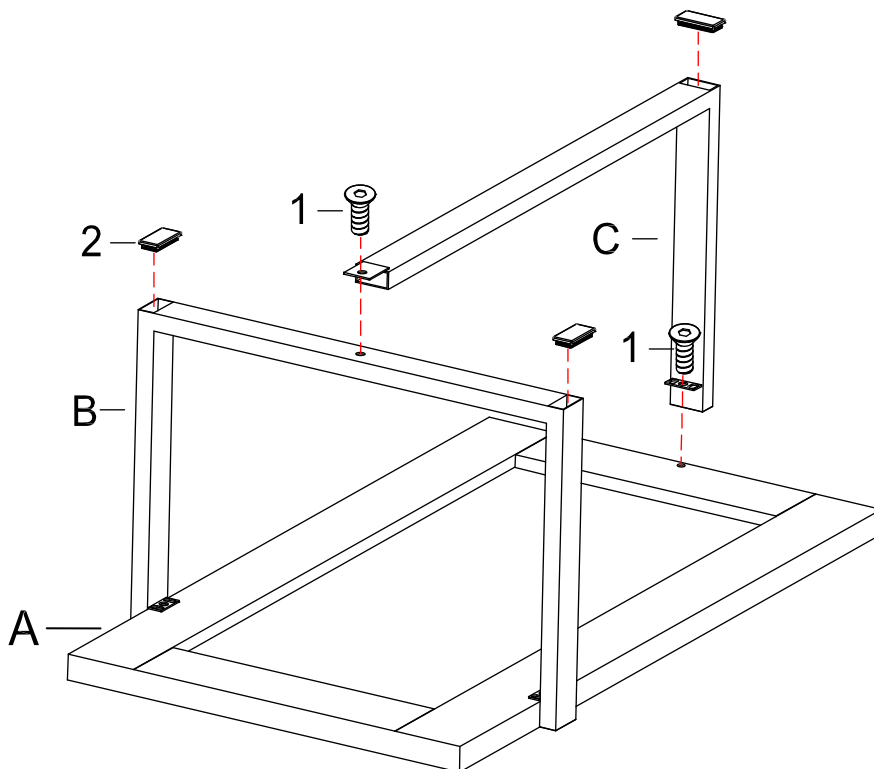
**\*\*\* Do not tighten screws & bolts until the entire unit is completely assembled. \*\*\***

## STEP 1



Attach large leg (B) to the wood top (A) using bolts (1) as shown.

## STEP 2



Attach small leg (C) to the wood top (A) and large leg (B) using bolts (1) , then attach the end caps (2) to all the legs bottom (B.C) as shown.

Tighten all bolts and carefully turn the assembled unit upright.

Your coffee table now is completed.