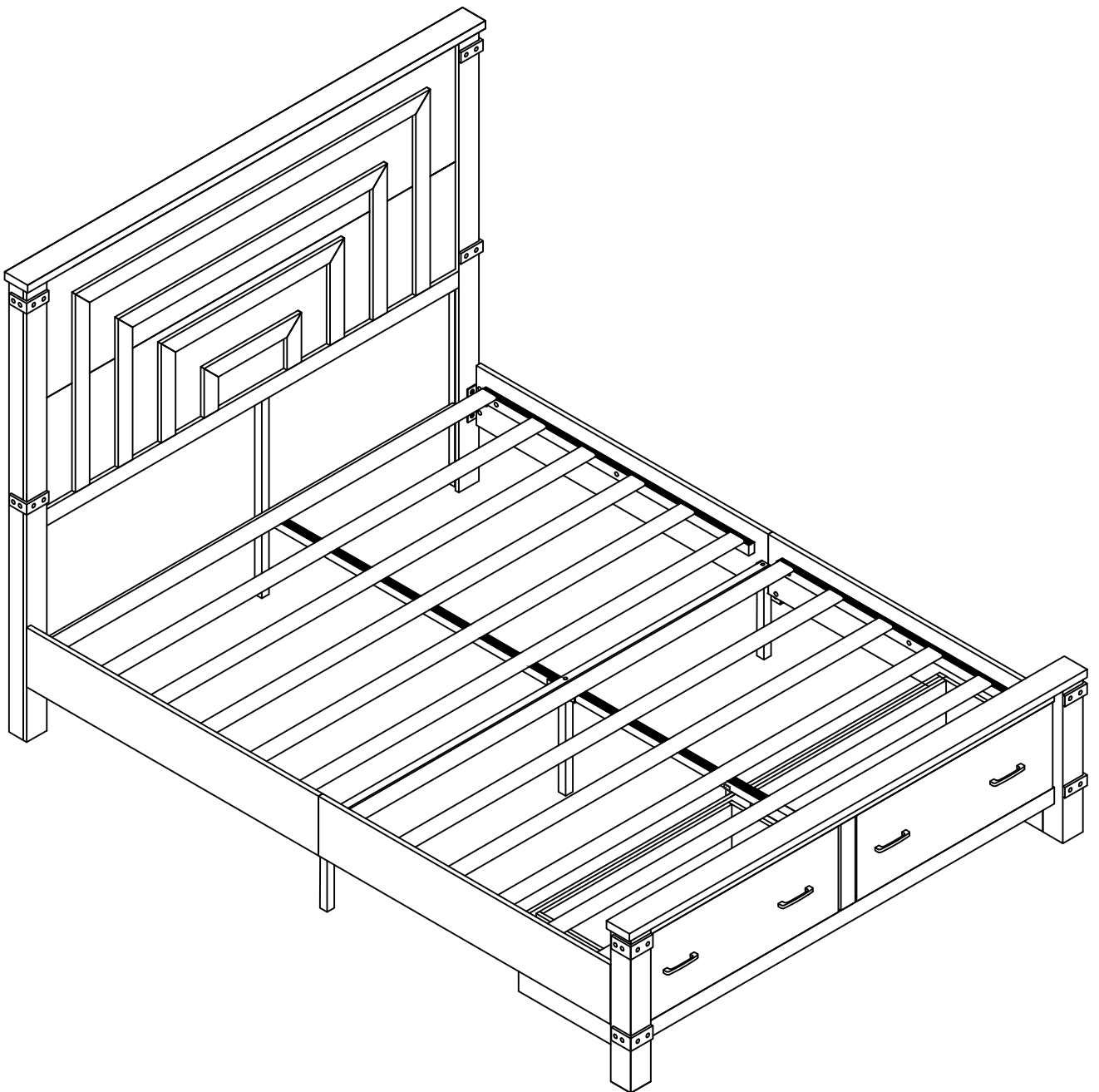
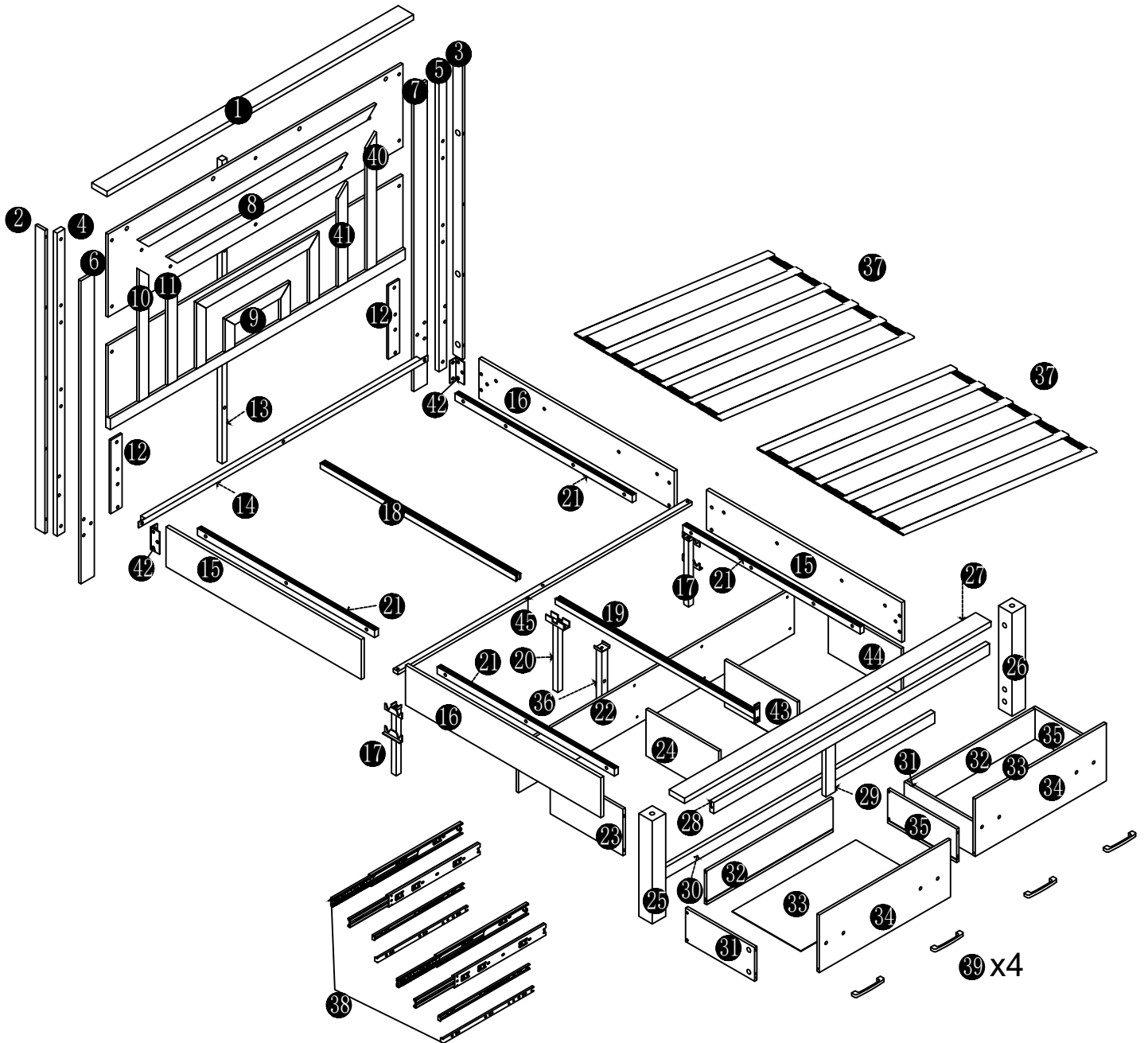


Bed Frame Assembly Instructions

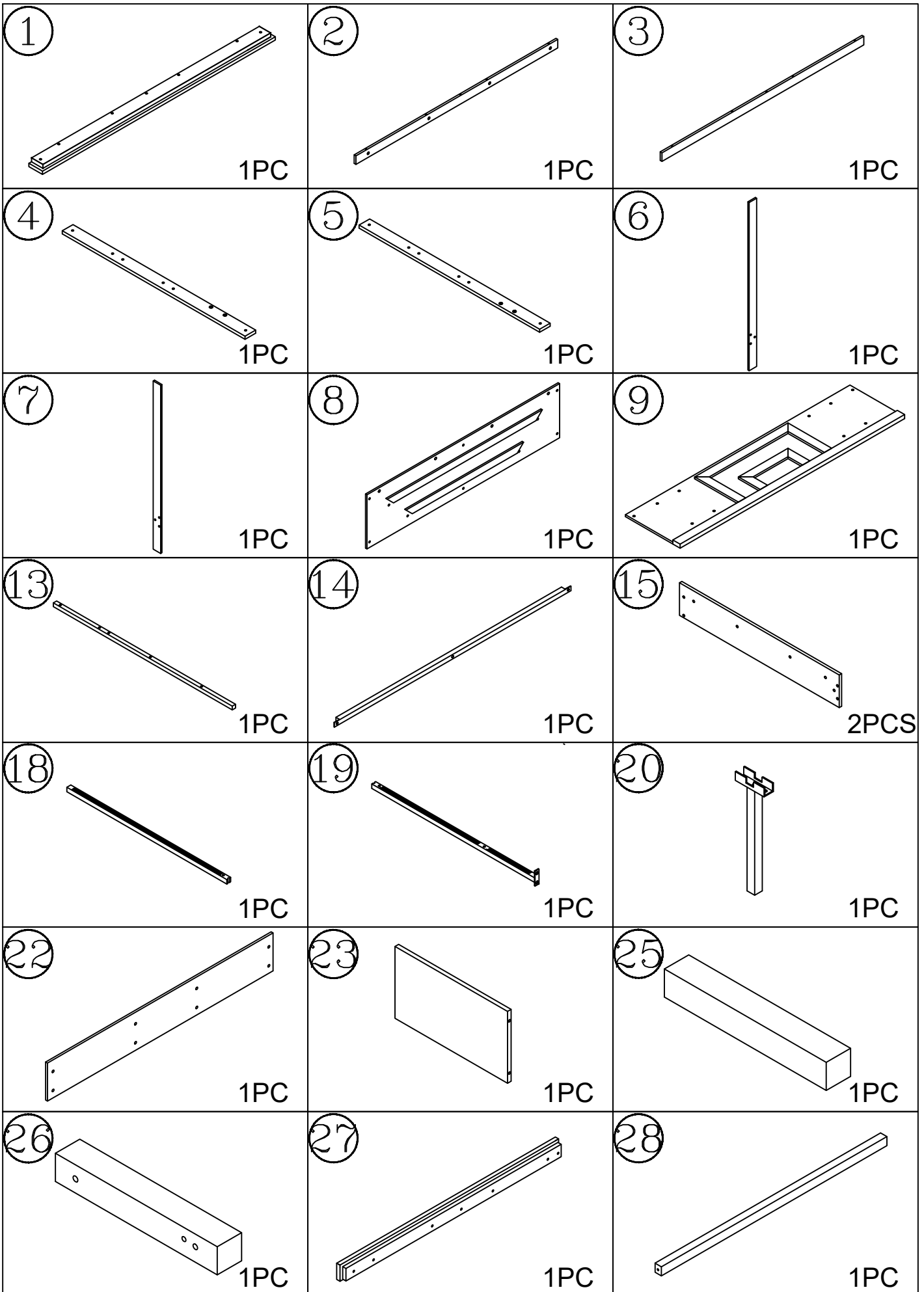


ASSEMBLY INSTRUCTIONS



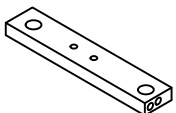
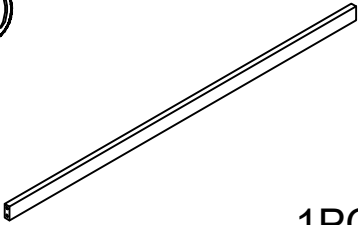
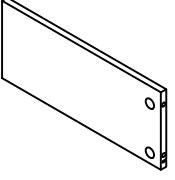
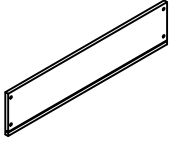
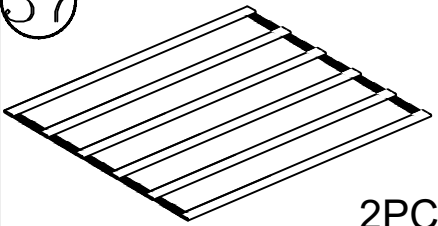
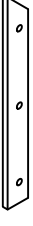
ASSEMBLY INSTRUCTIONS

The Box 1

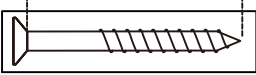
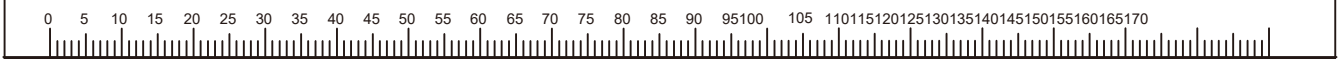


ASSEMBLY INSTRUCTIONS

The Box 1 Continue

<p>29</p>  <p>1PC</p>	<p>30</p>  <p>1PC</p>	<p>31</p>  <p>2PCS</p>
<p>32</p>  <p>2PCS</p>	<p>37</p>  <p>2PCS</p>	<p>41</p>  <p>1PC</p>



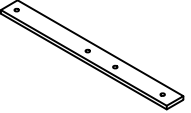
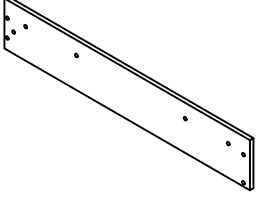

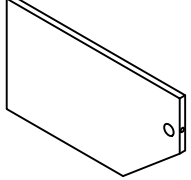
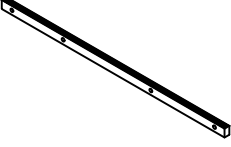
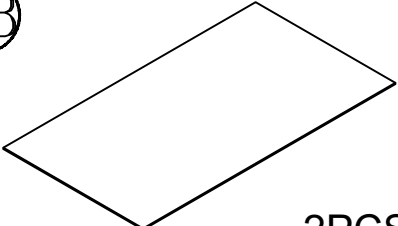
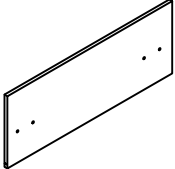
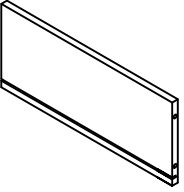
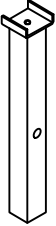
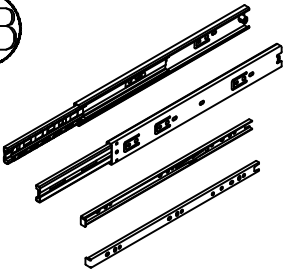
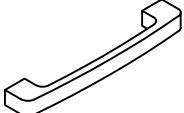

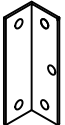
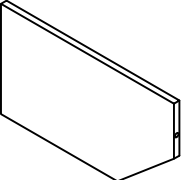
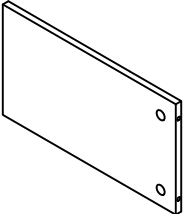
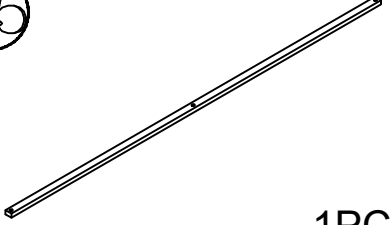
Ruler-Use this ruler to help correctly identify the screws.



The length of the screw is measured from the rod part excluding the screw cap (30mm screw shown).

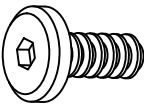
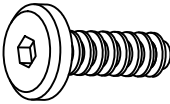
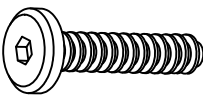
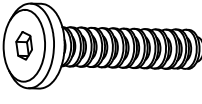
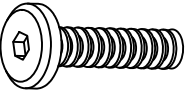
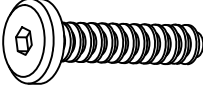
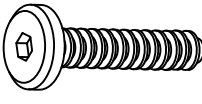
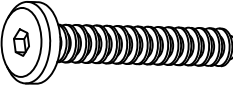
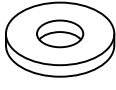



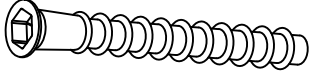
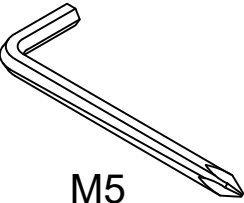
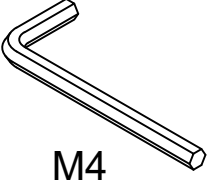
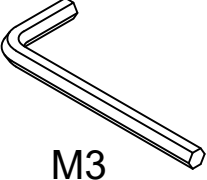
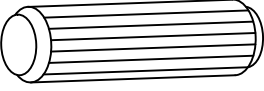


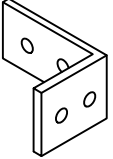
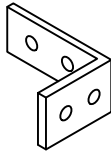
ASSEMBLY INSTRUCTIONS

The Box 2

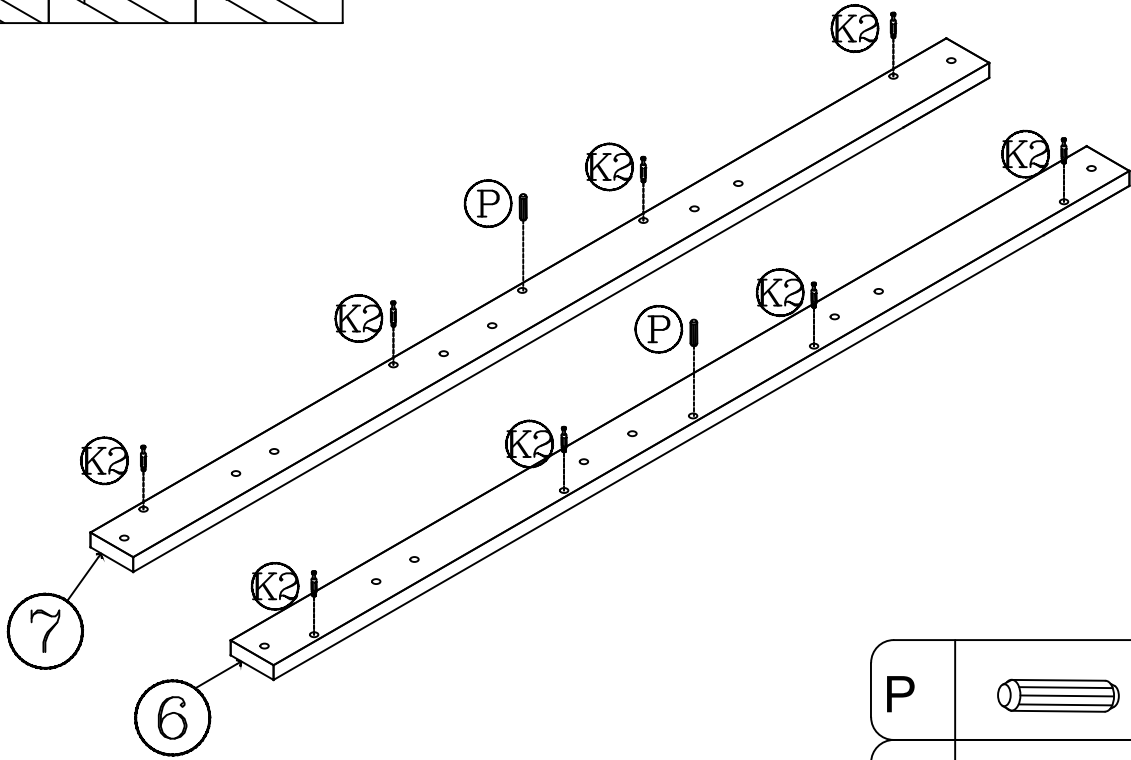
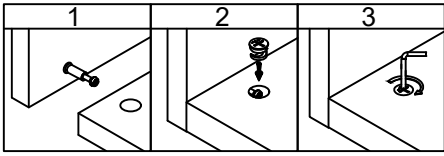
<p>10</p>  <p>1PC</p>	<p>11</p>  <p>1PC</p>	<p>12</p>  <p>2PCS</p>
<p>16</p>  <p>2PCS</p>	<p>17</p>  <p>2PCS</p>	<p>24</p>  <p>1PC</p>
<p>21</p>  <p>4PCS</p>	<p>33</p>  <p>2PCS</p>	<p>34</p>  <p>2PCS</p>
<p>35</p>  <p>2PCS</p>	<p>36</p>  <p>1PC</p>	<p>38</p>  <p>2PCS</p>
<p>39</p>  <p>4PCS</p>	<p>40</p>  <p>1PC</p>	<p>42</p>  <p>4PCS</p>
<p>43</p>  <p>1PC</p>	<p>44</p>  <p>1PC</p>	<p>45</p>  <p>1PC</p>

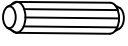
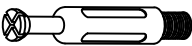
ASSEMBLY INSTRUCTIONS

The Box 1

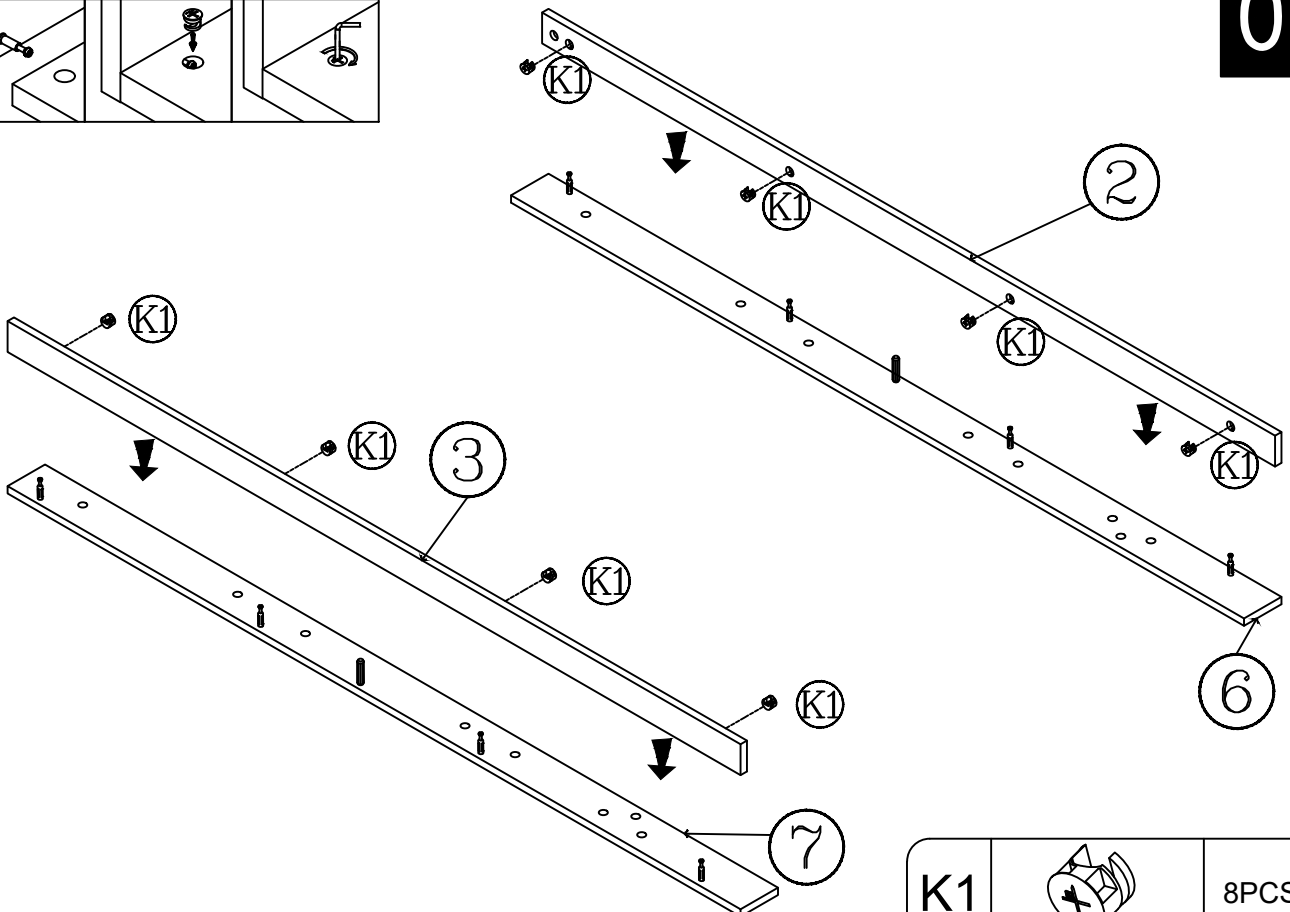
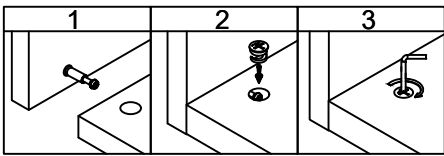
<p>(A)</p>  <p>M6*11mm 28PCS</p>	<p>(B)</p>  <p>M6*20mm 14PCS</p>	<p>(C)</p>  <p>M6*30mm 1PC</p>
<p>(D)</p>  <p>M6*35mm 20PCS</p>	<p>(E)</p>  <p>M6*40mm 12PCS</p>	<p>(F)</p>  <p>M8*35mm 5PCS</p>
<p>(G)</p>  <p>M8*50mm 5PCS</p>	<p>(H)</p>  <p>M8*65mm 1PC</p>	<p>(I)</p>  <p>Φ6*Φ16mm 16PCS</p>
<p>(J)</p>  <p>M4*12mm 24PCS</p>	<p>(K1)</p>  <p>39PCS</p>	<p>(K2)</p>  <p>39PCS</p>
<p>(L)</p>  <p>M5*40mm 16PCS</p>	<p>(M)</p>  <p>M5 1PC</p>	<p>(N)</p>  <p>M4 1PC</p>
<p>(O)</p>  <p>M3 1PC</p>	<p>(P)</p>  <p>11PCS</p>	<p>(Q)</p>  <p>M5*12mm 32PCS</p>
<p>(R)</p>  <p>M4*16mm 8PCS</p>	<p>(S)</p>  <p>4PCS</p>	<p>(T)</p>  <p>4PCS</p>


01



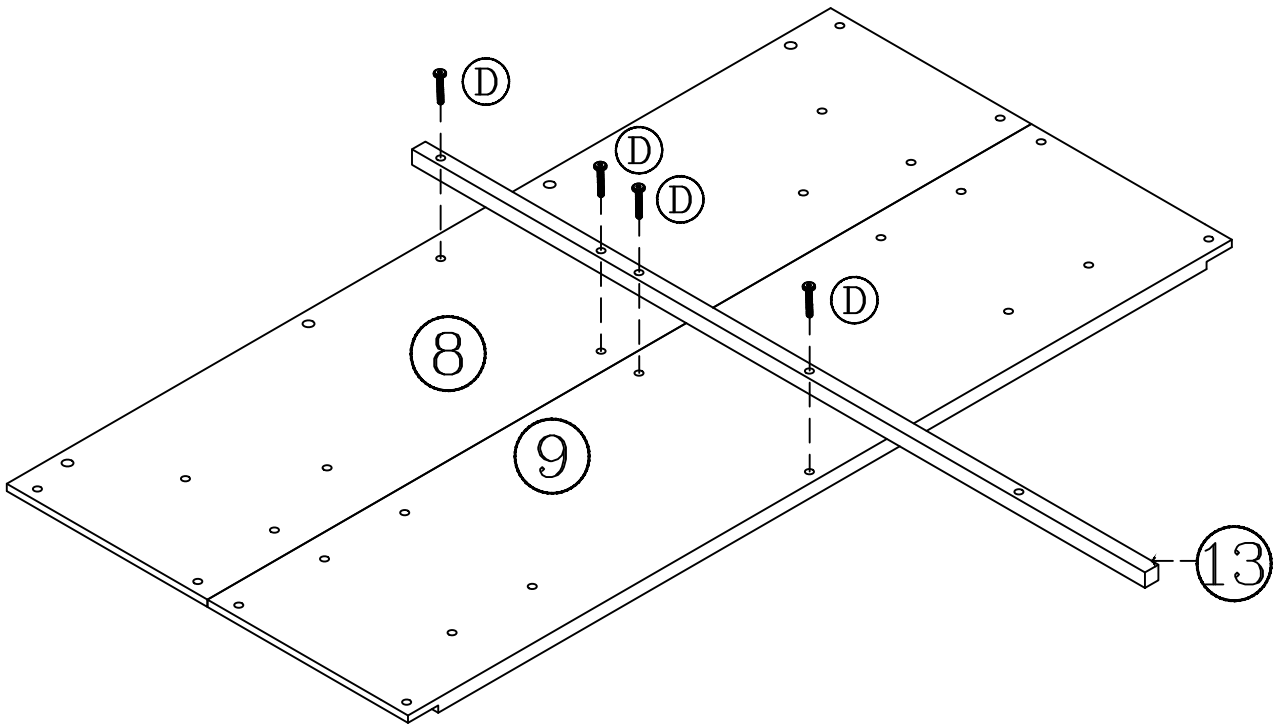
P		2PCS
K2		8PCS


02



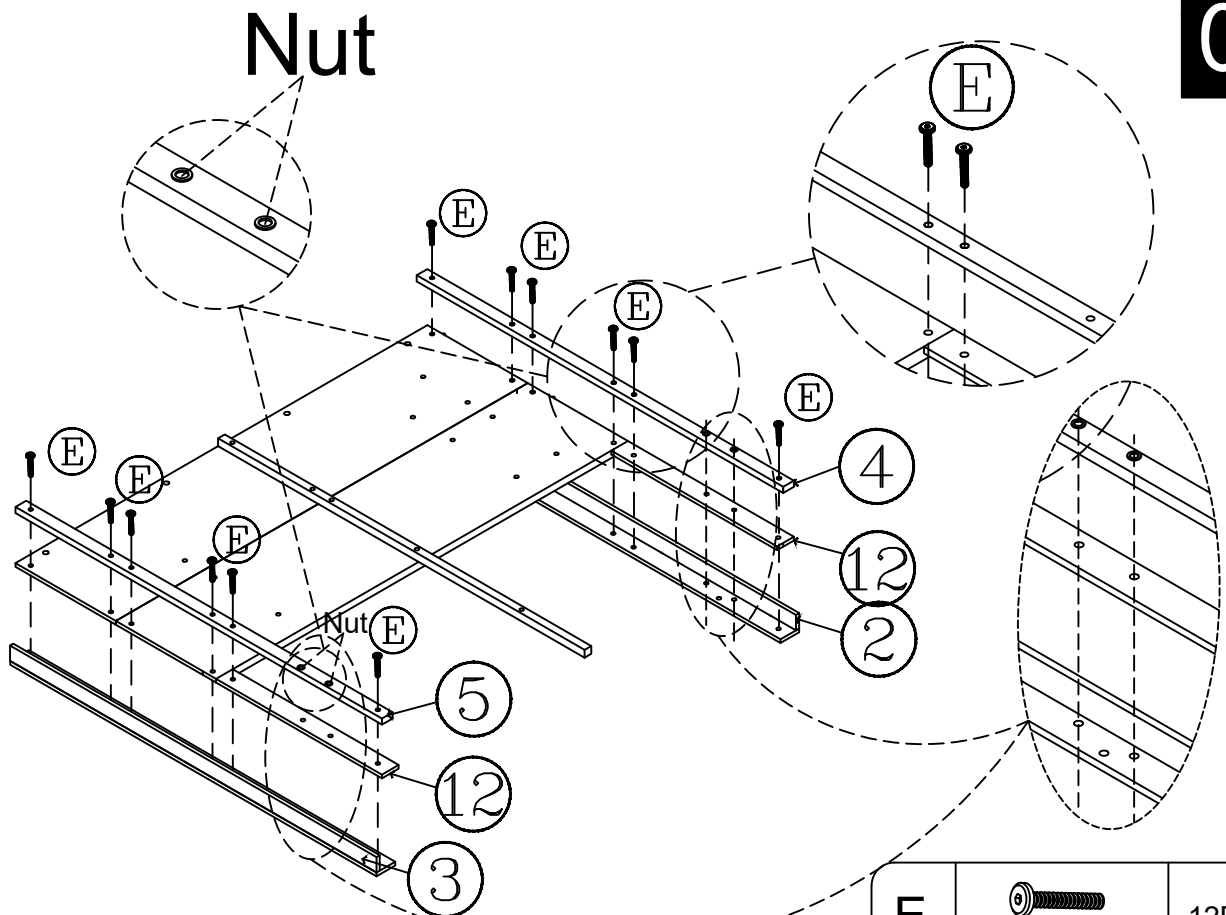
K1		8PCS
----	---	------


03



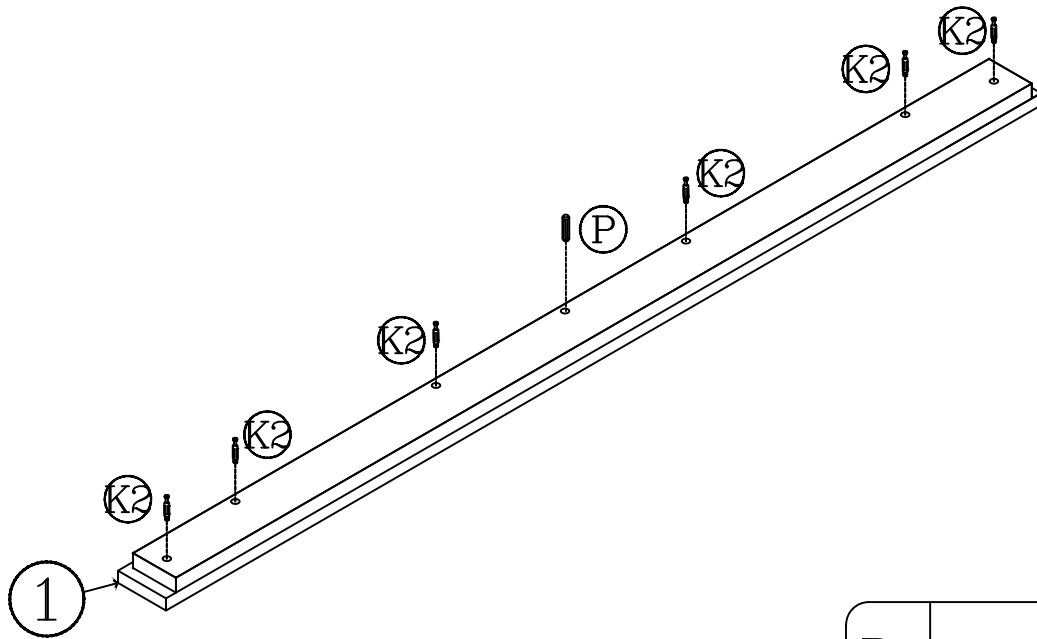
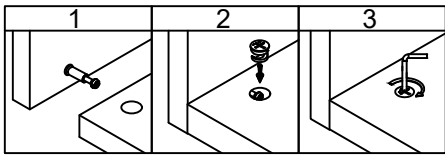
D	 M6*35mm	4PCS
---	--	------


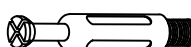
04



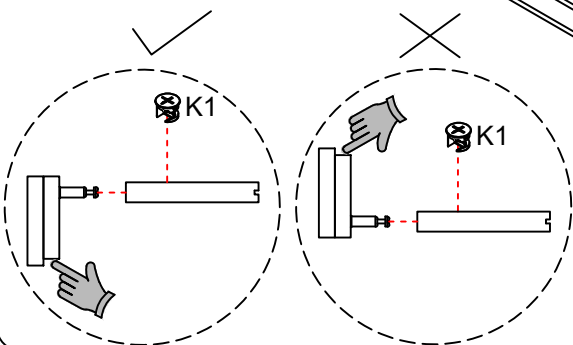
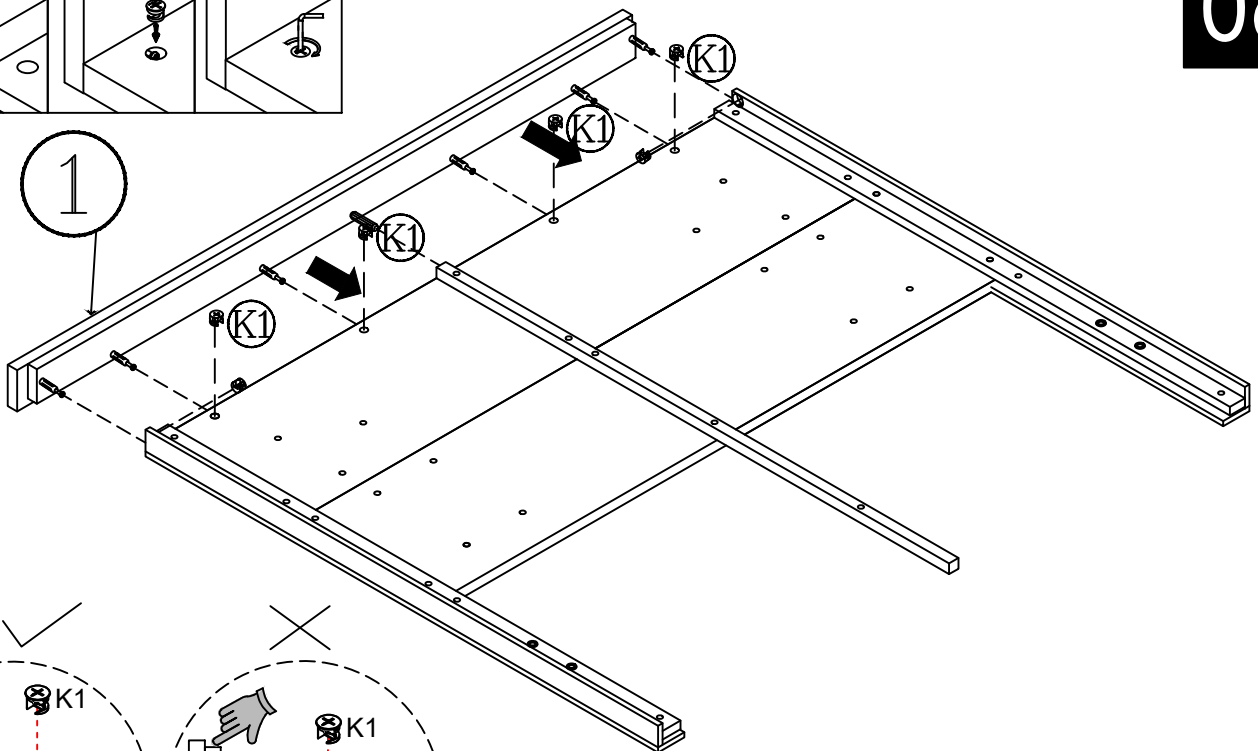
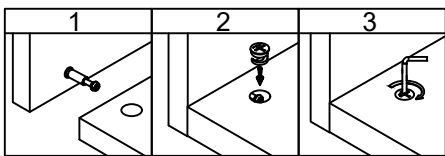
E	 M6*40mm	12PCS
---	--	-------


05



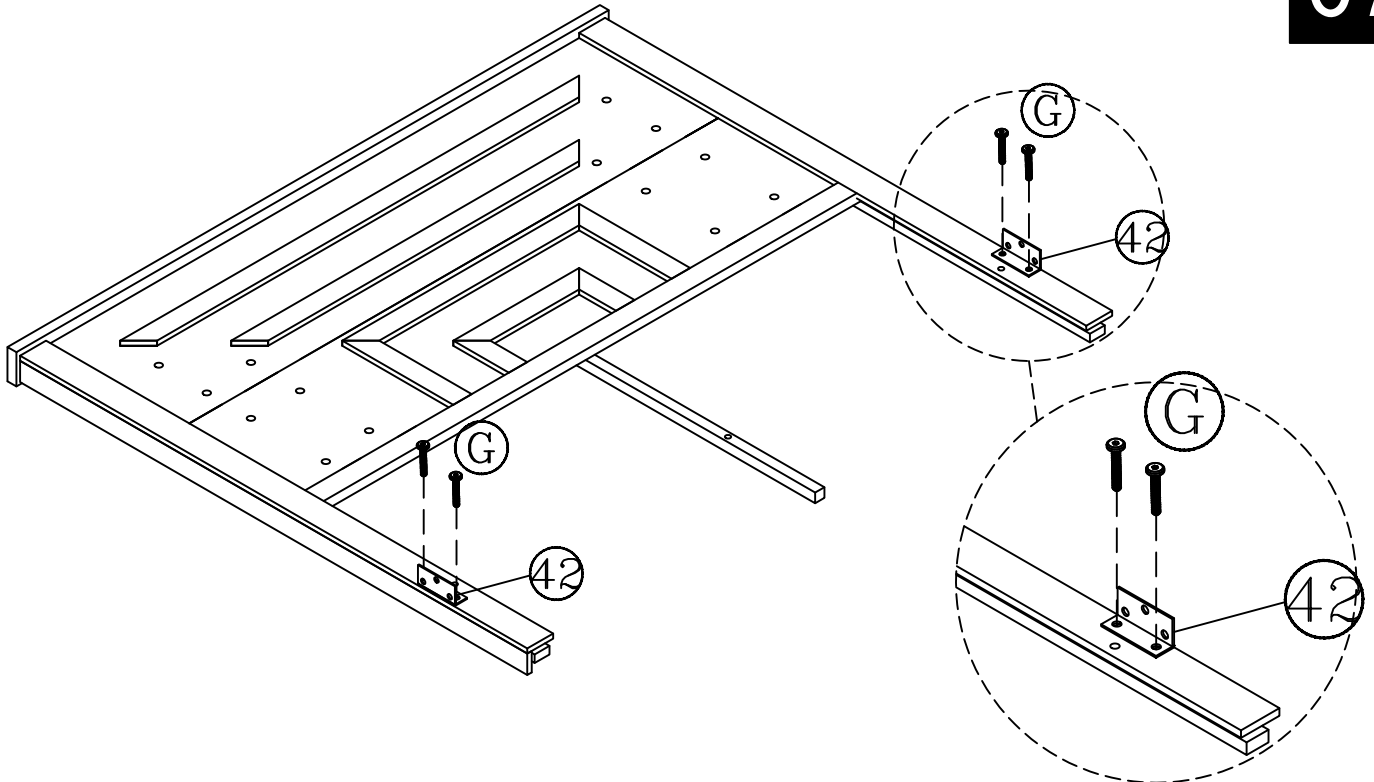
P		1PC
K2		6PCS


06



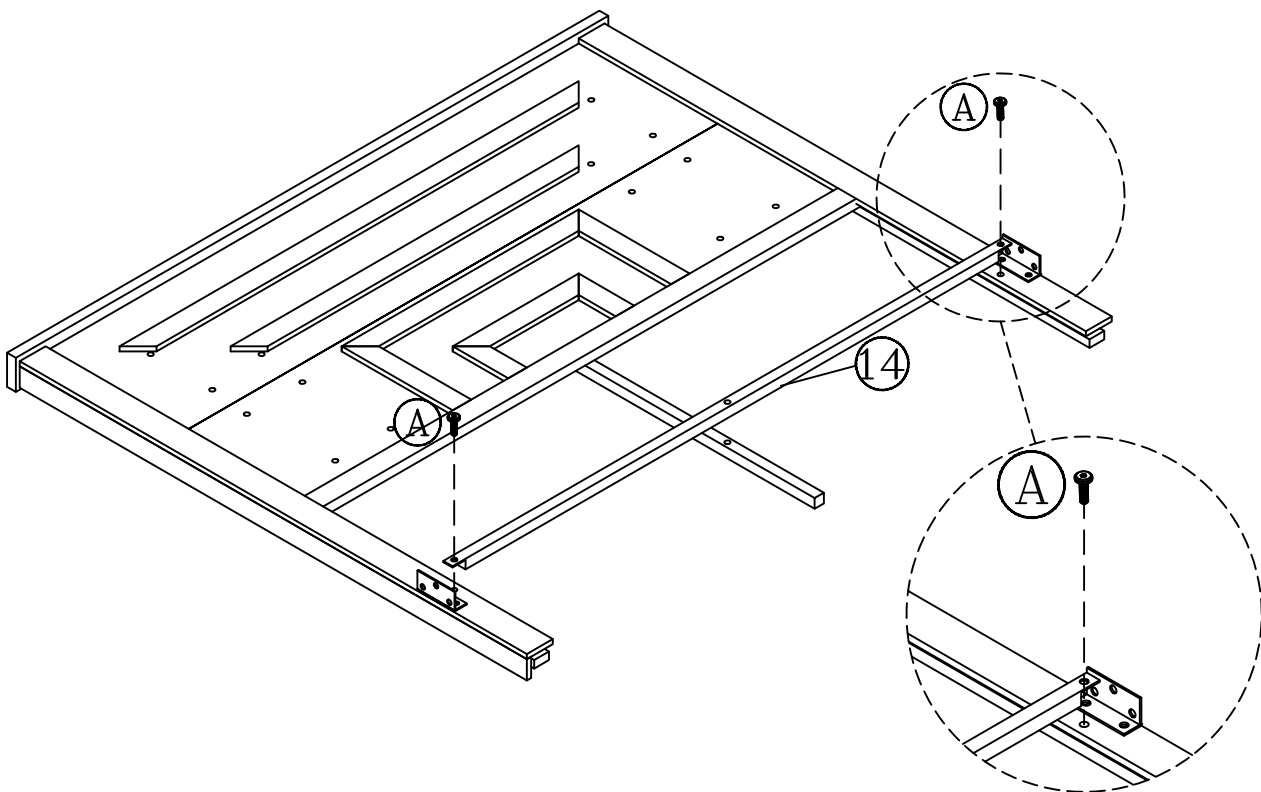
K1		6PCS
----	---	------


07



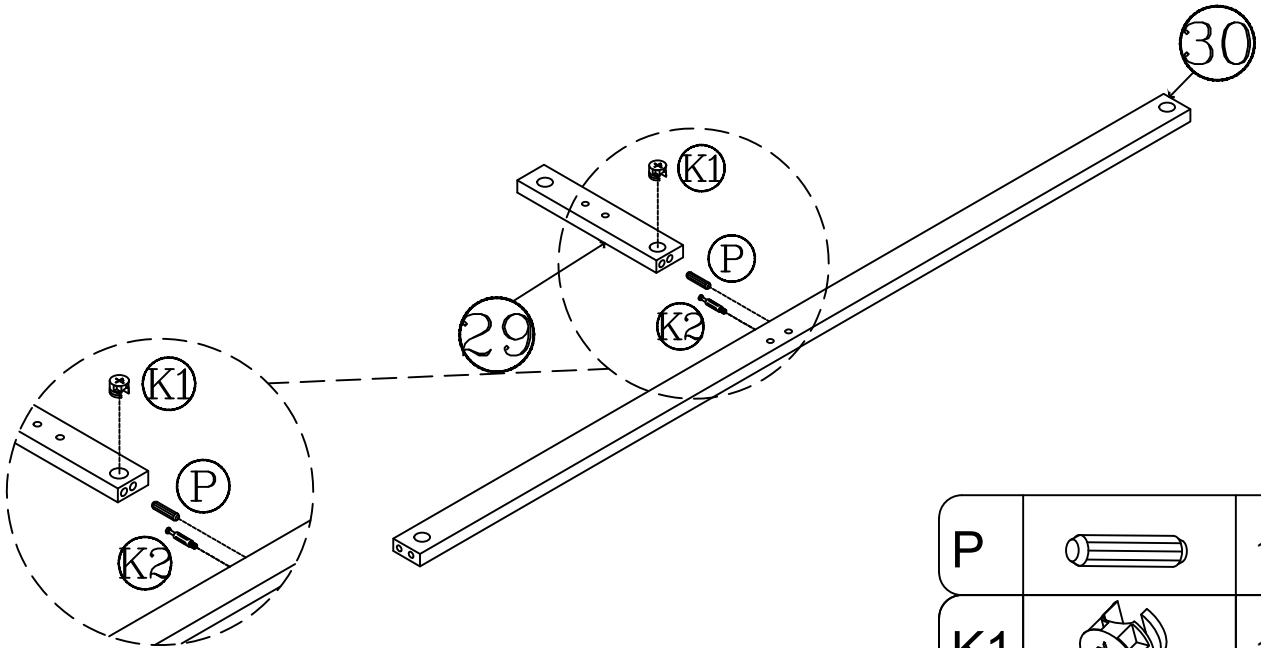
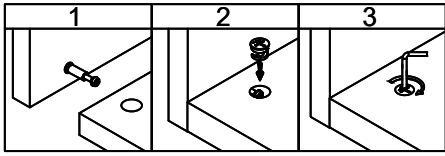
G	 M8*50mm	4PCS
---	--	------

08



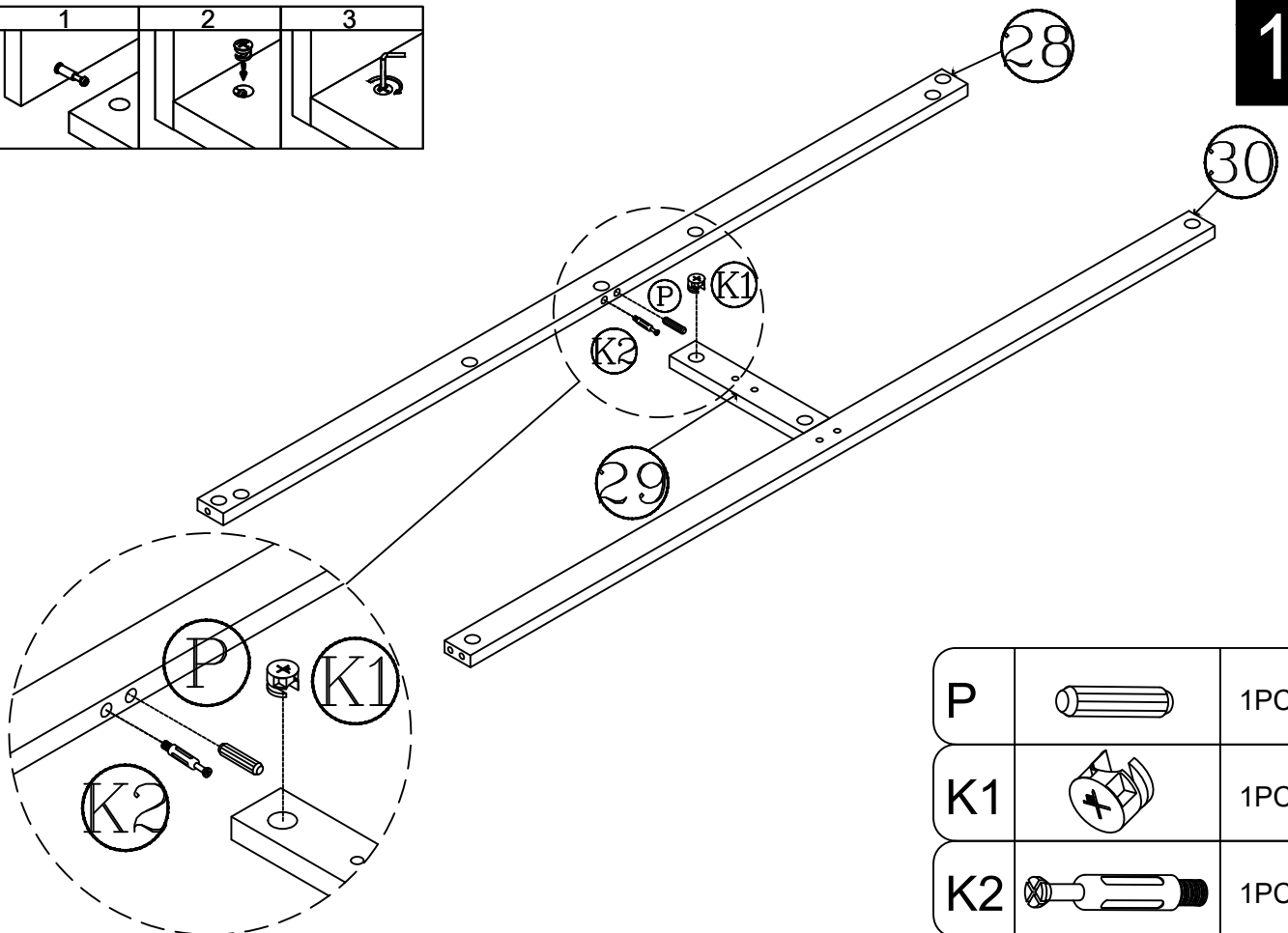
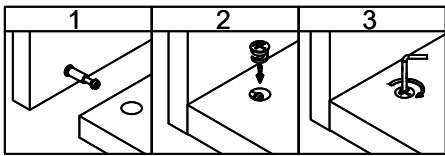
A	 M6*11mm	2PCS
---	--	------

09



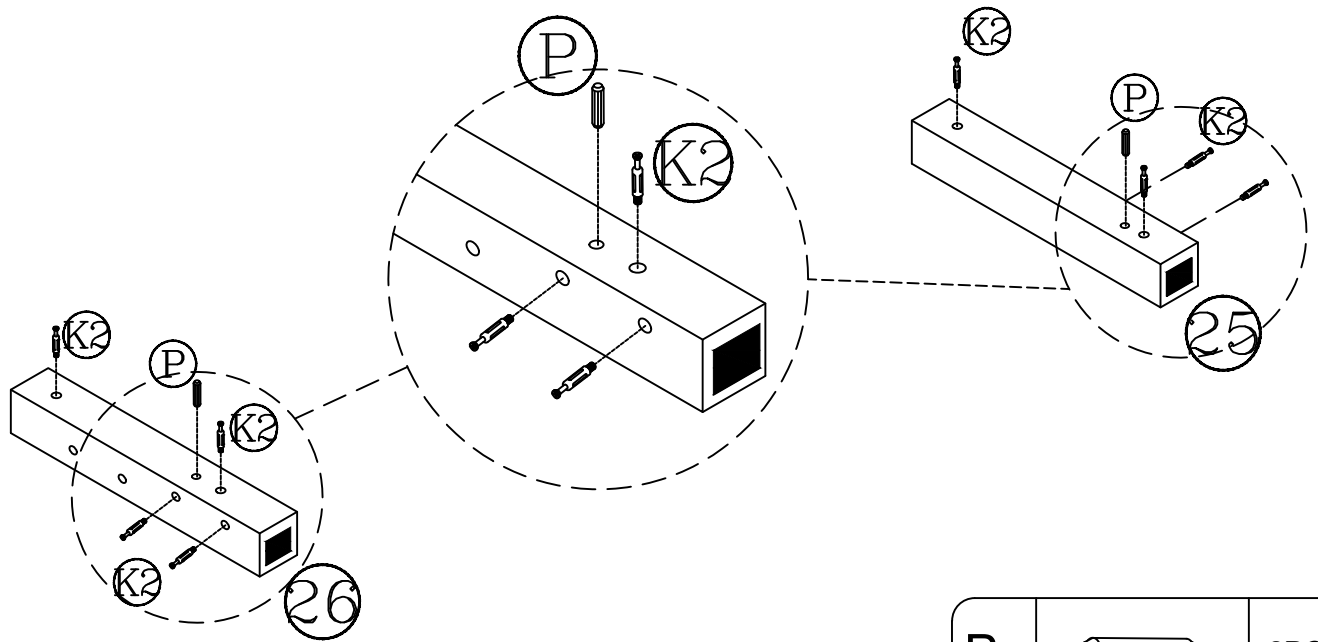
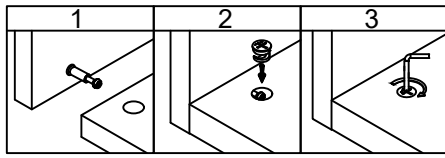
P		1PC
K1		1PC
K2		1PC


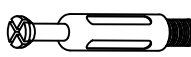
10



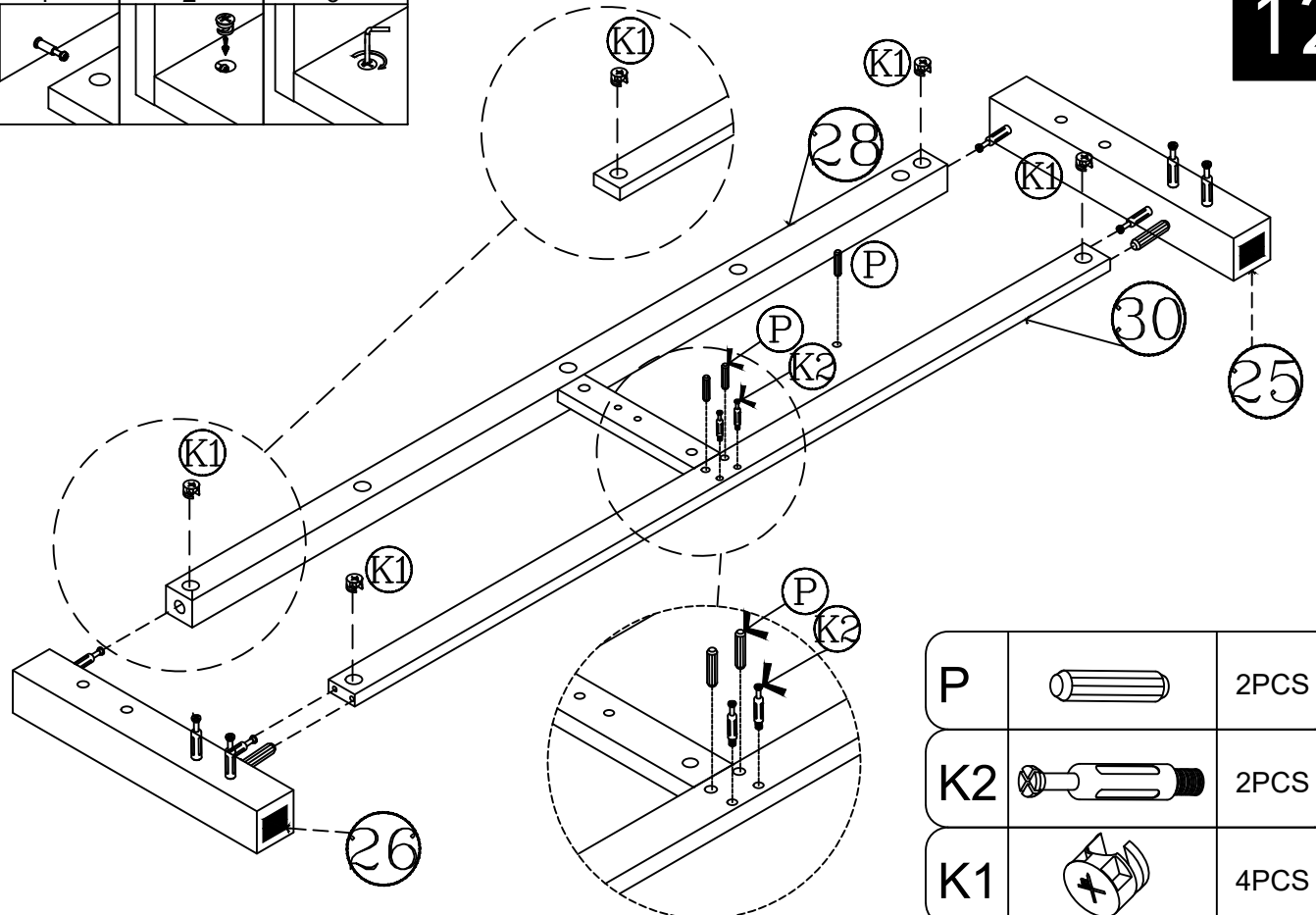
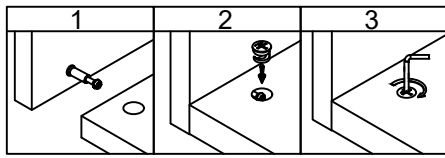
P		1PC
K1		1PC
K2		1PC

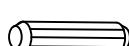
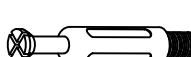

11



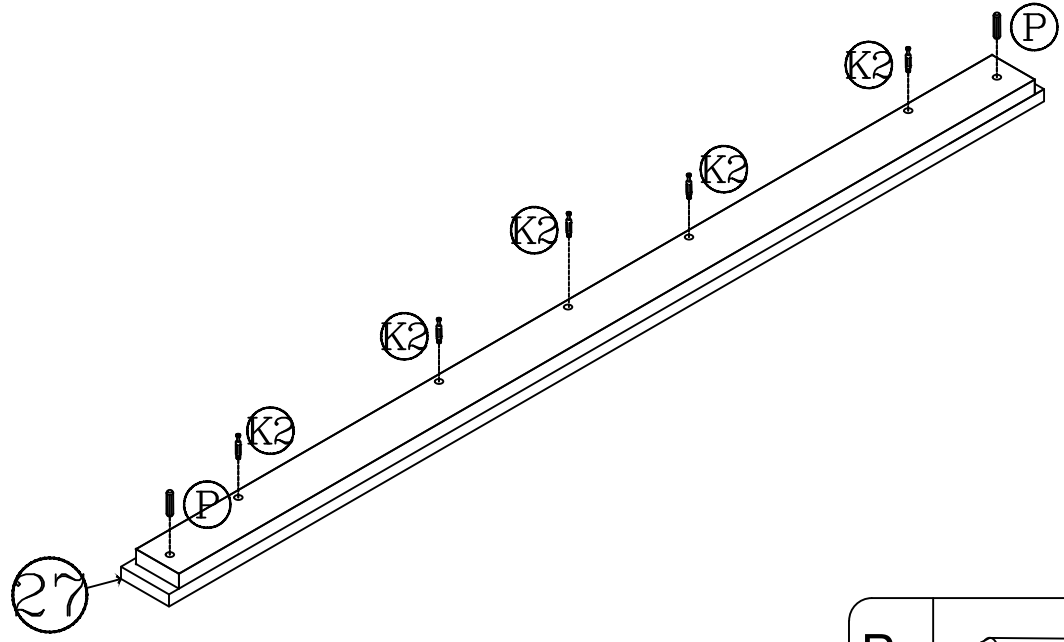
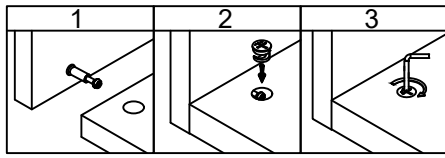
P		2PCS
K2		8PCS


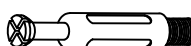
12



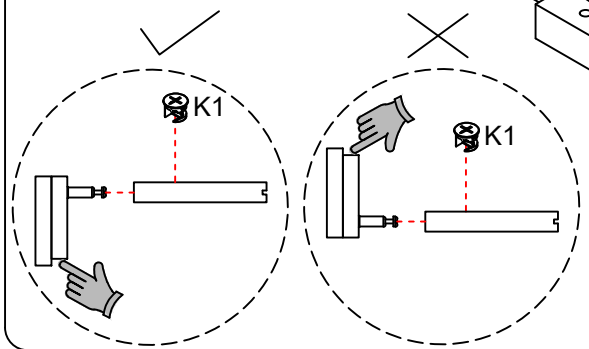
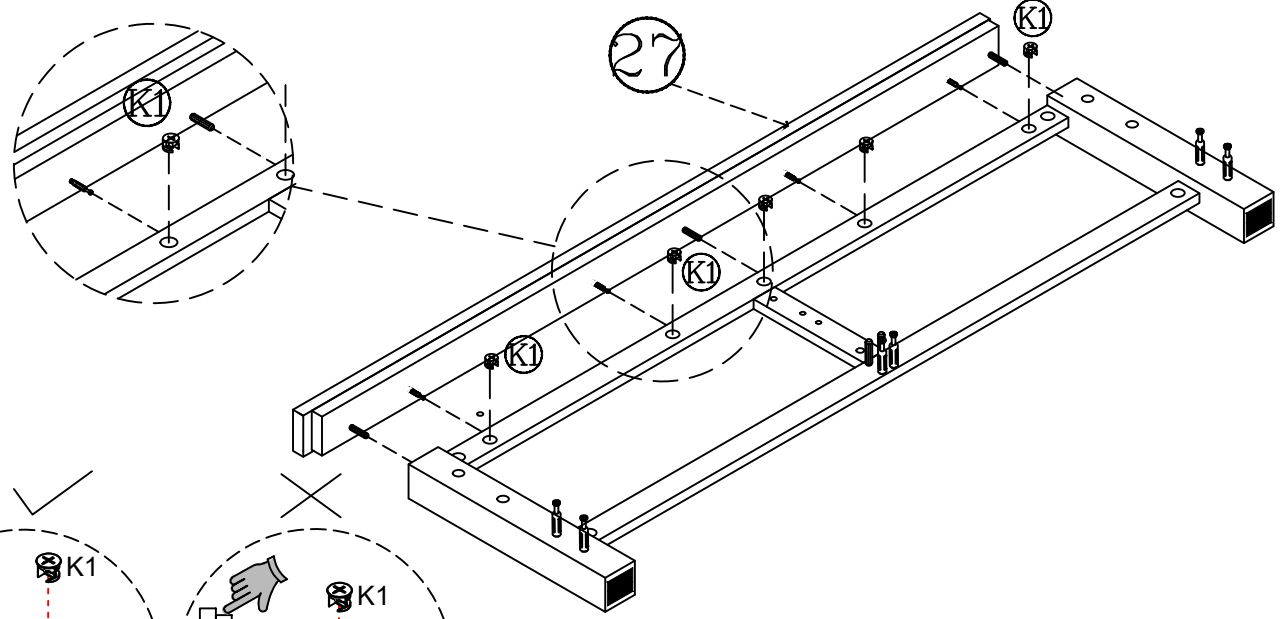
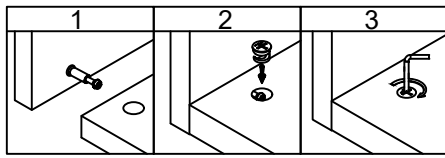
P		2PCS
K2		2PCS
K1		4PCS


13



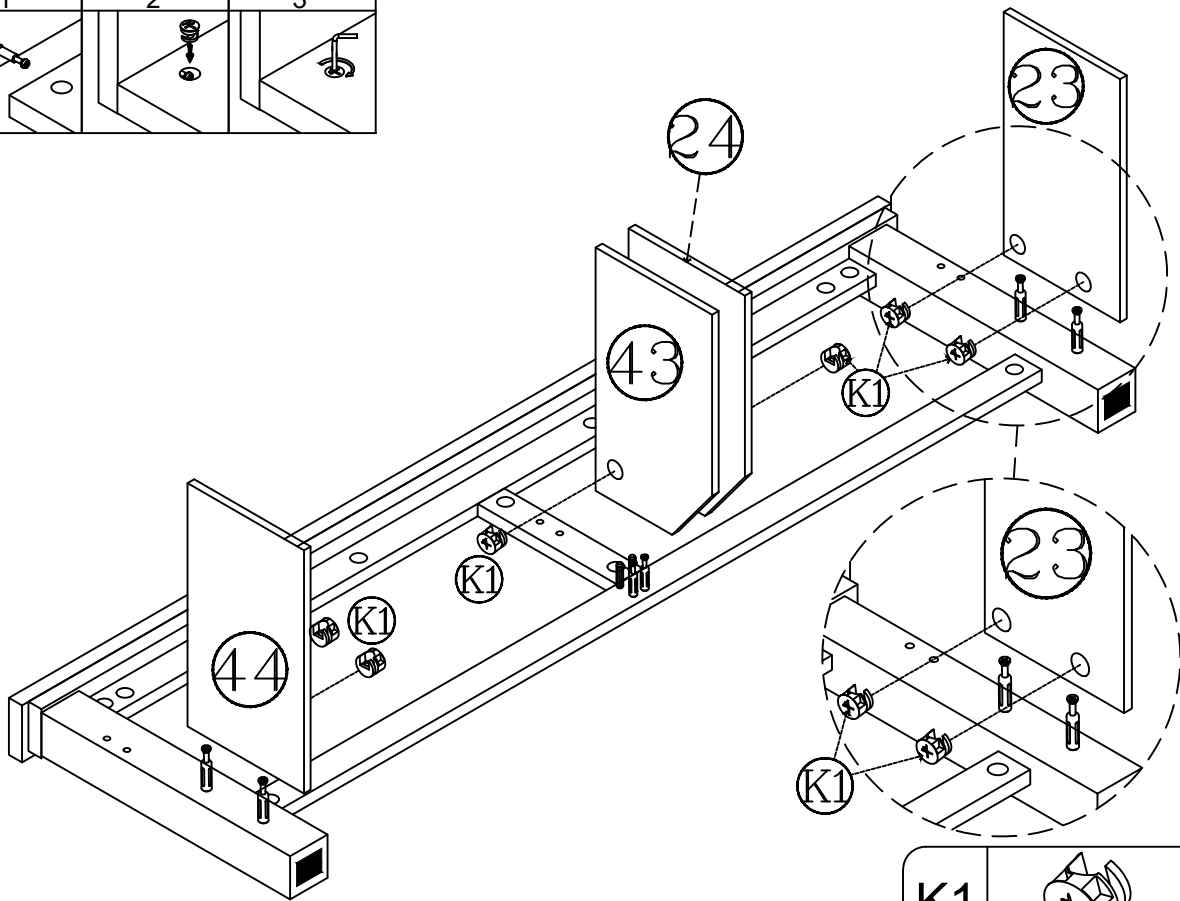
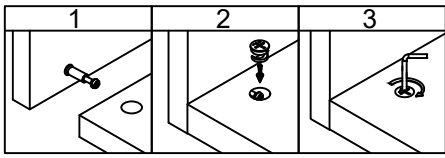
P		2PCS
K2		5PCS

14



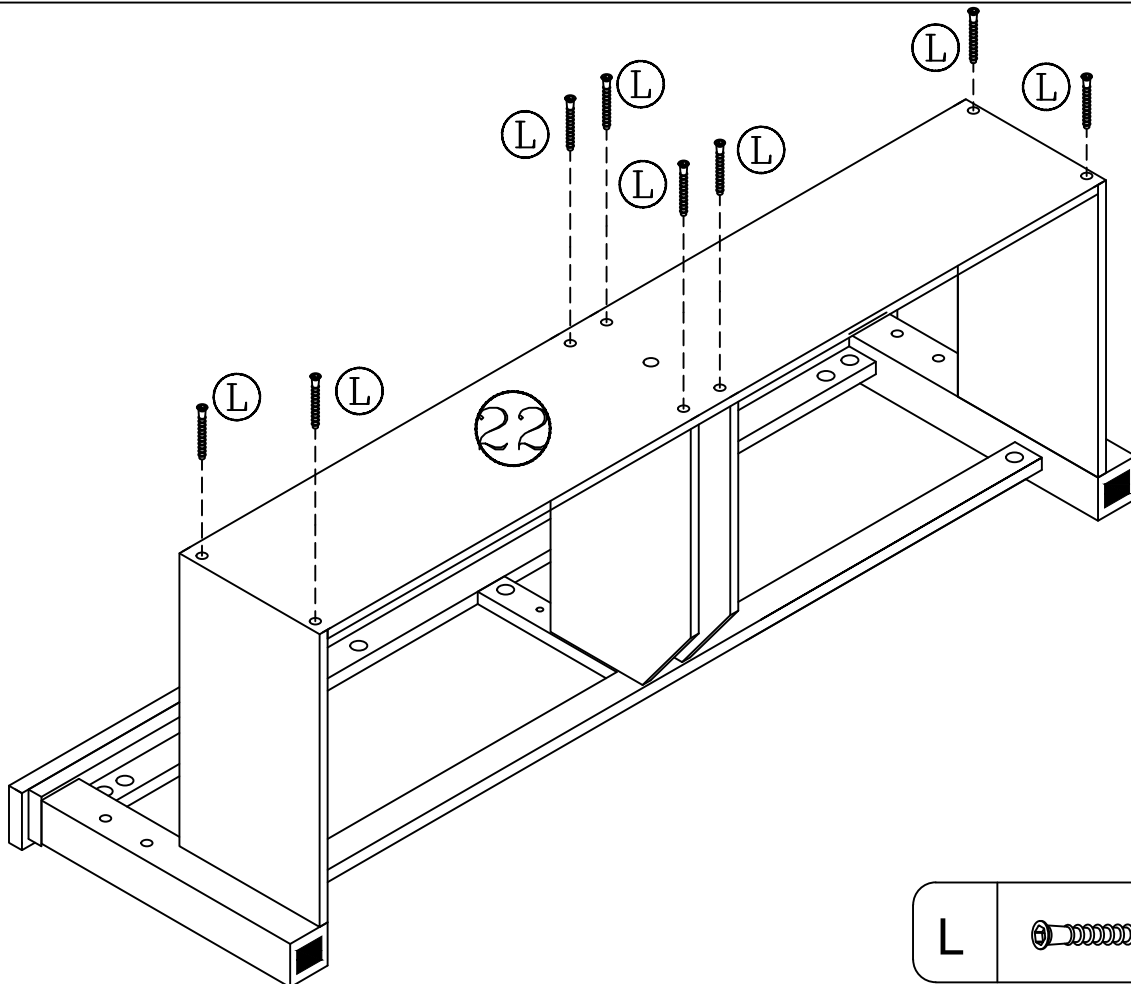
K1		5PCS
----	---	------

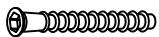
15



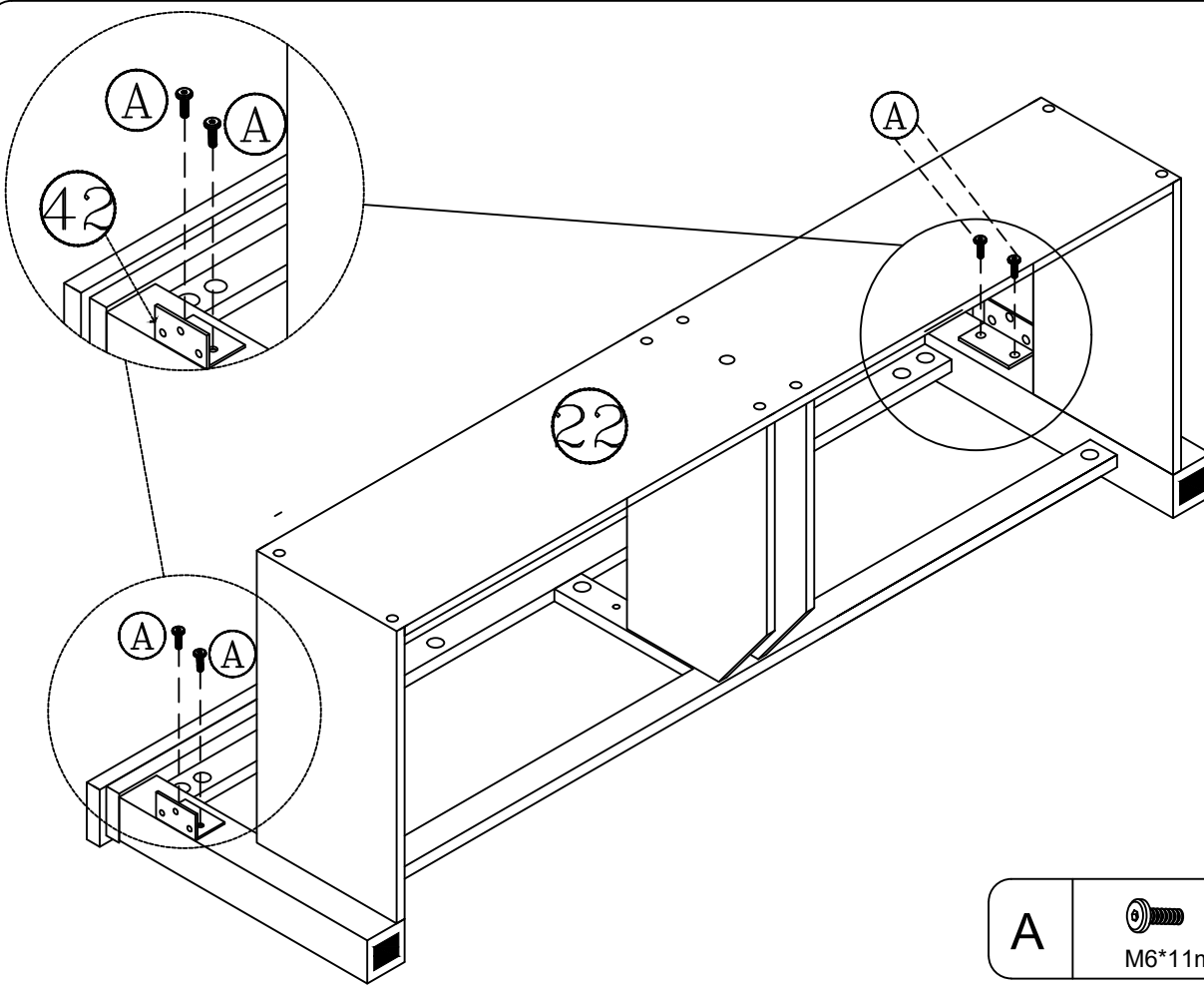
K1		6PCS
----	---	------


16



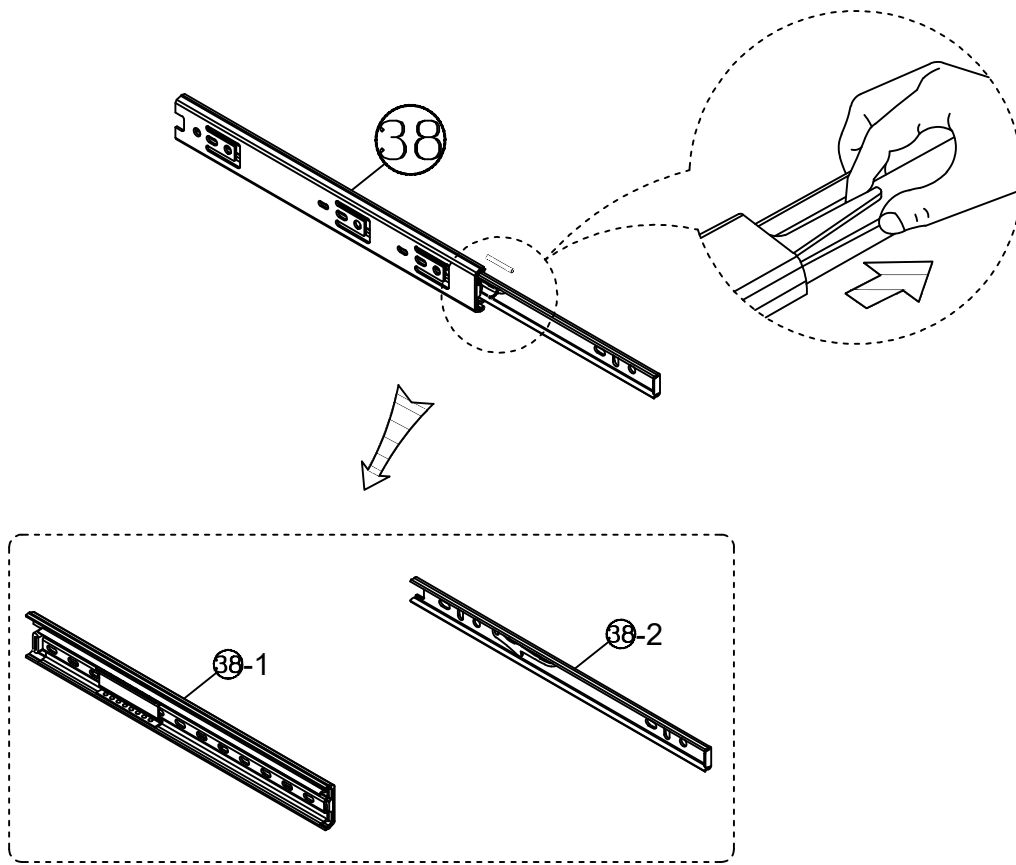
L		8PCS
---	---	------

17



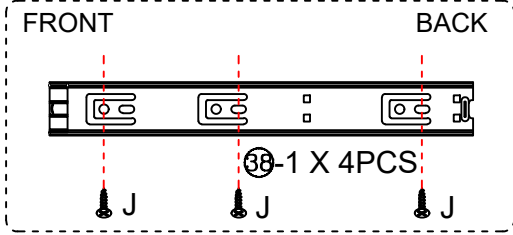
A	 M6*11mm	4PCS
---	--	------

18

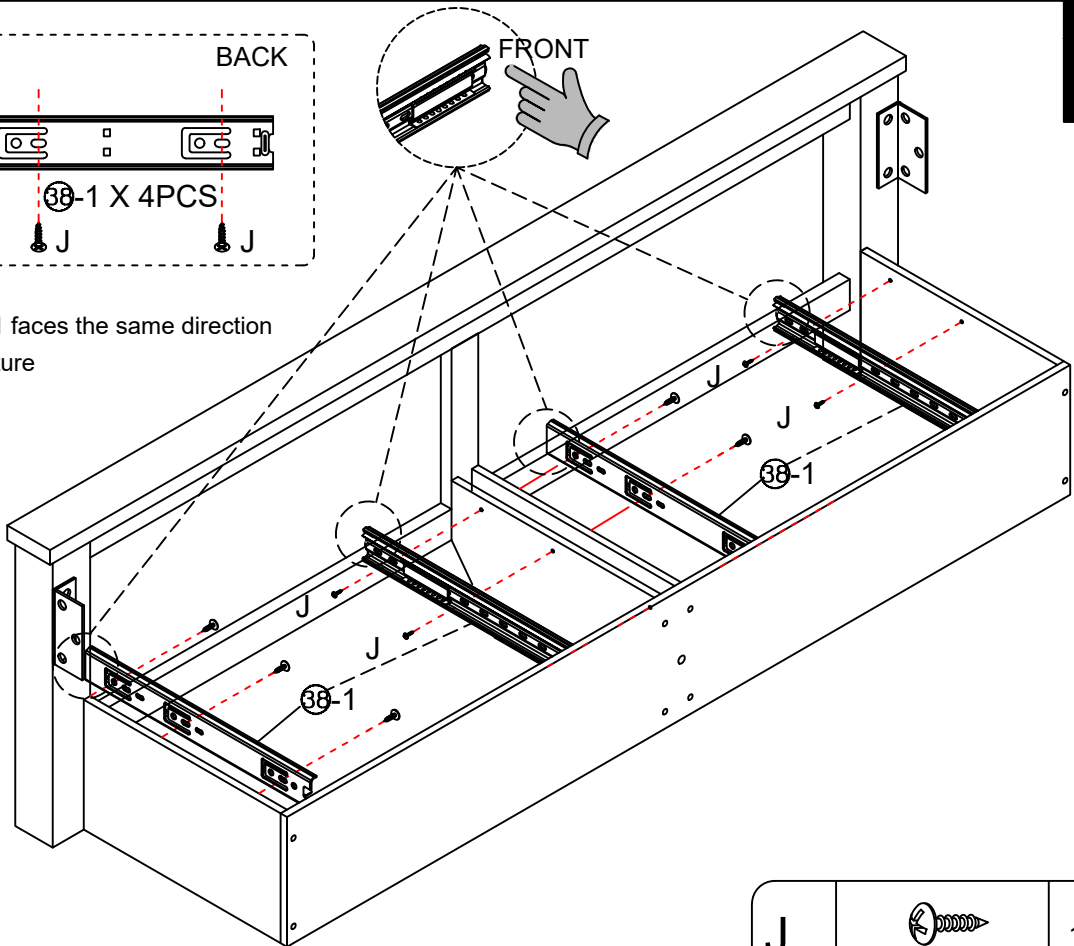



x4

19

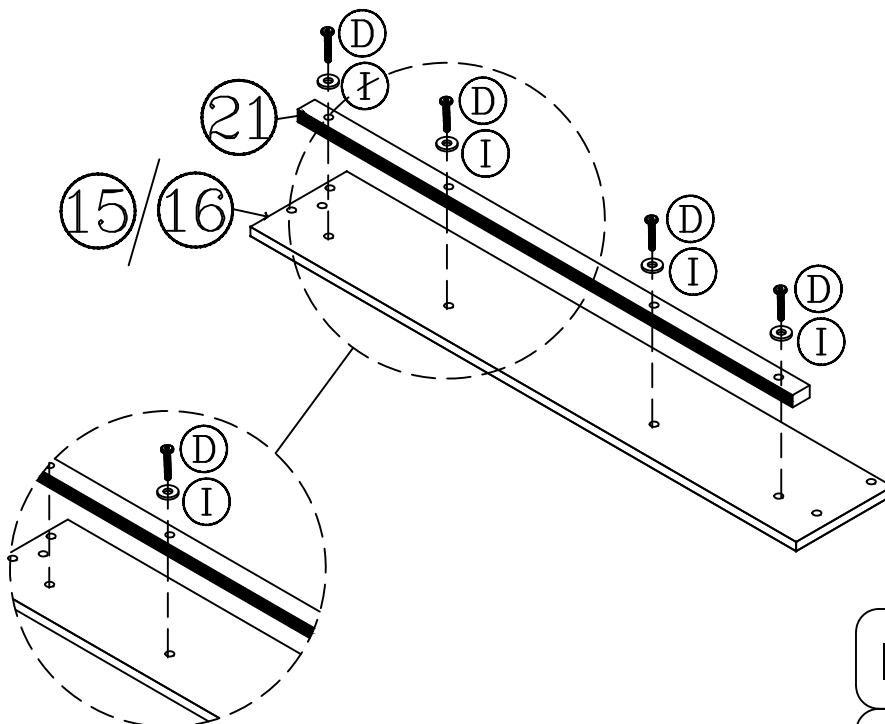


Make sure part 38-1 faces the same direction as shown in the picture





J	 M4*12mm	12PCS
---	--	-------

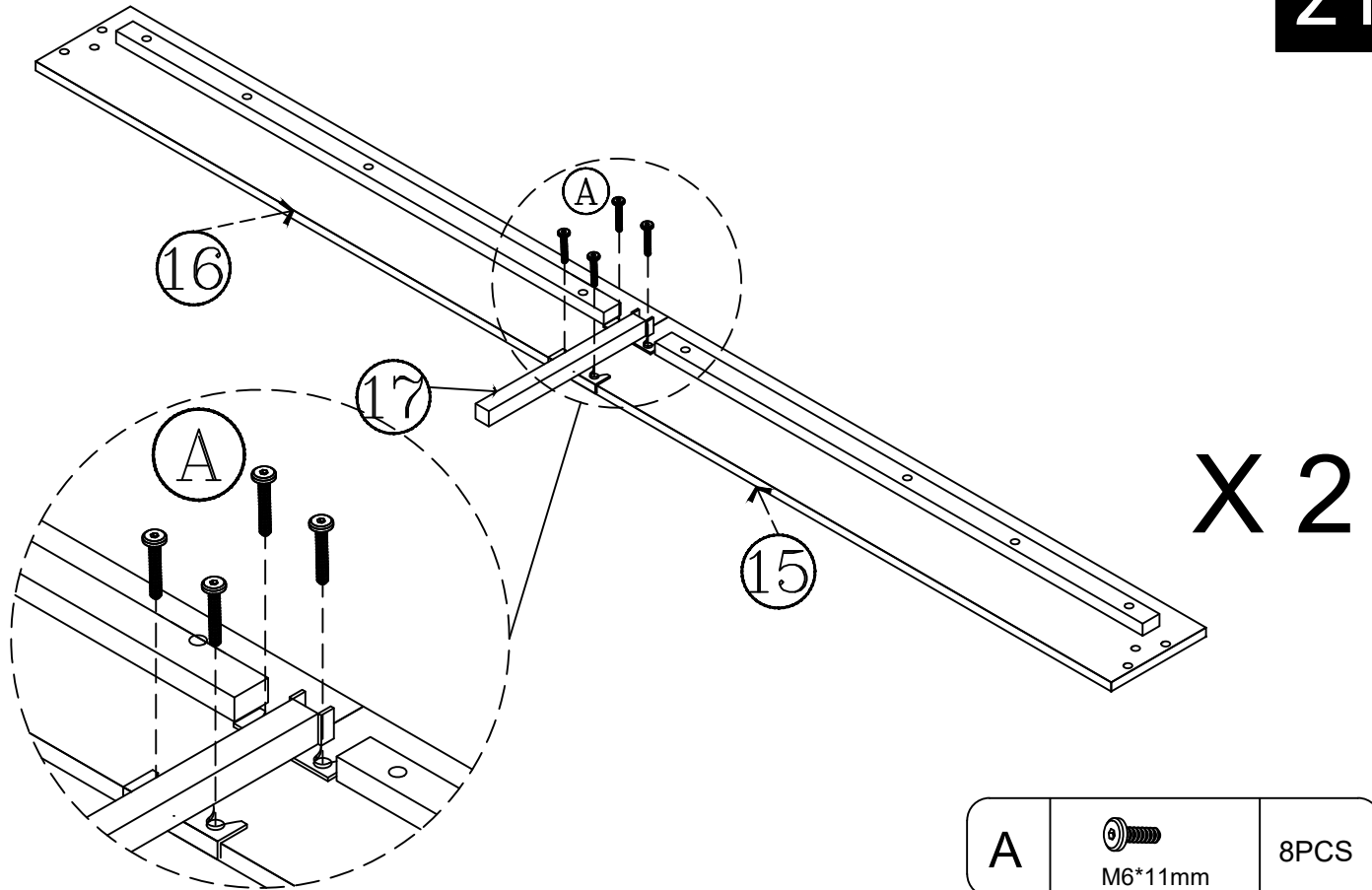
20



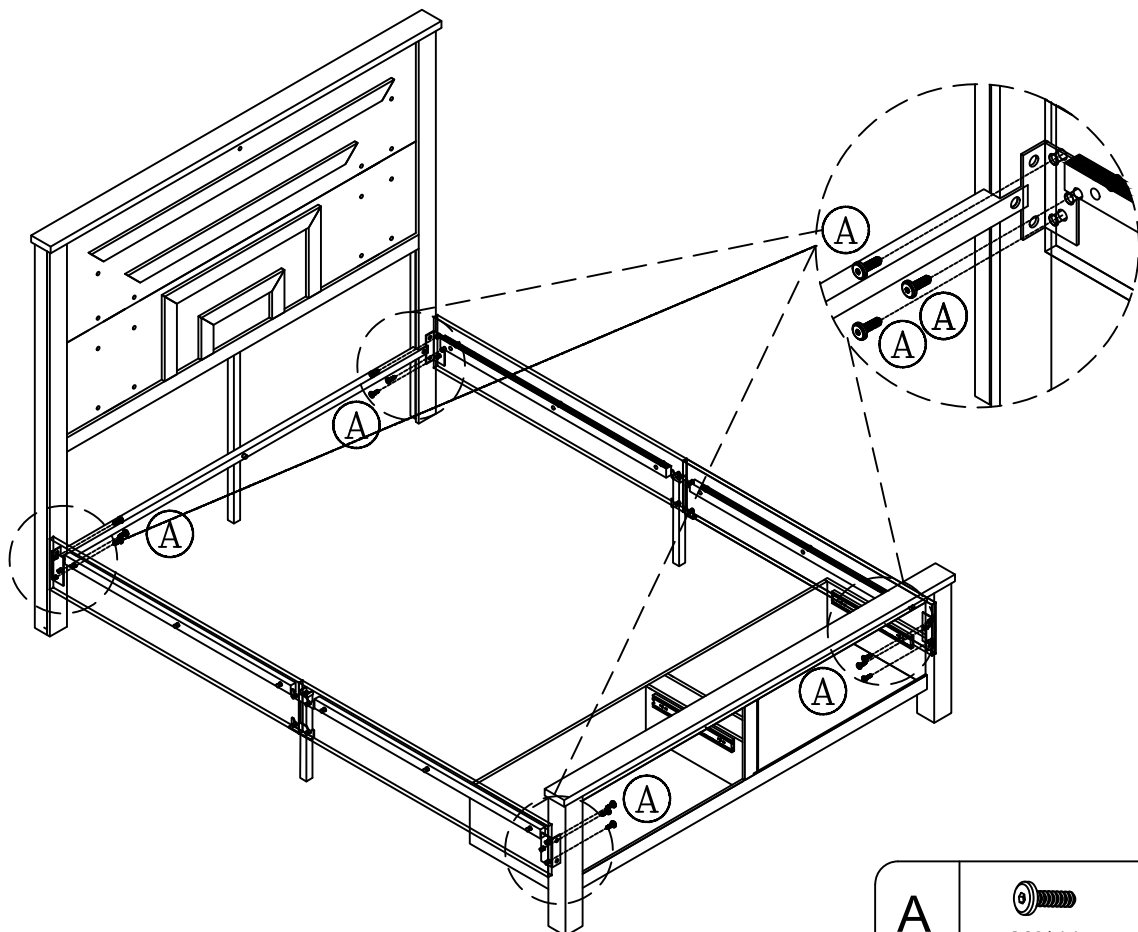
X 4

I	 M6*50mm	16PCS
D	 M6*35mm	16PCS

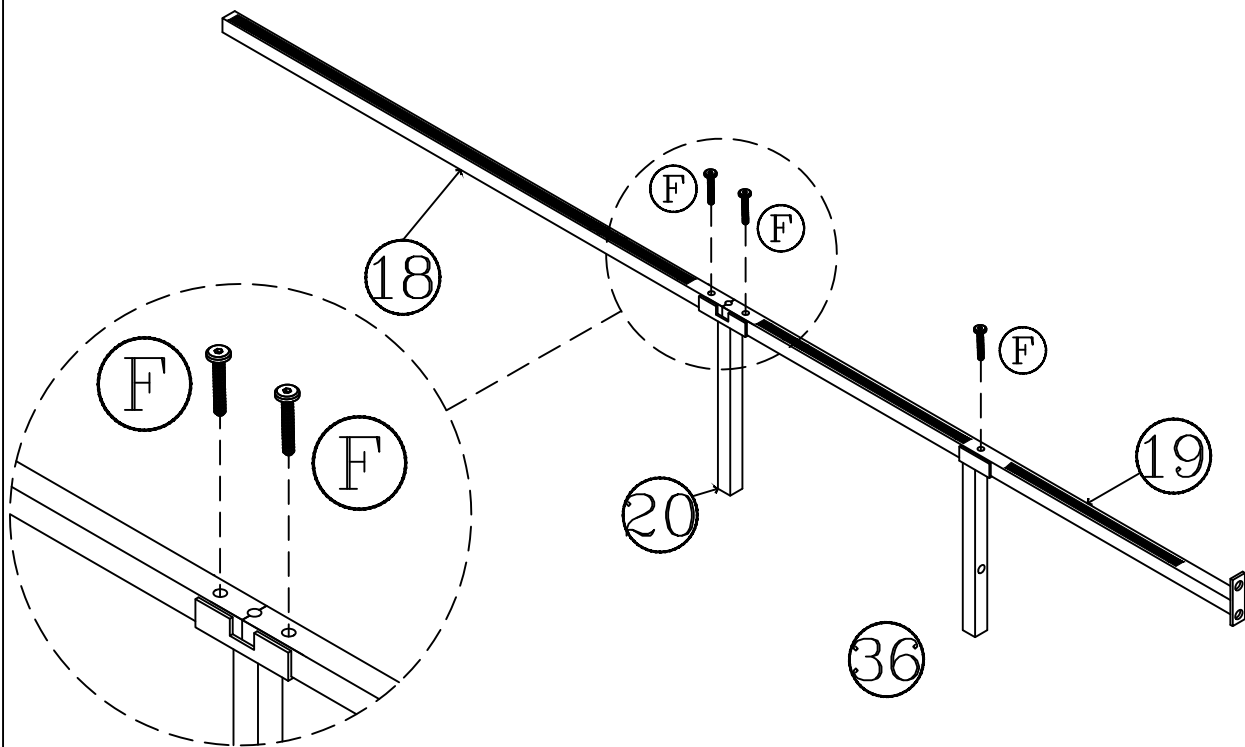
21




22

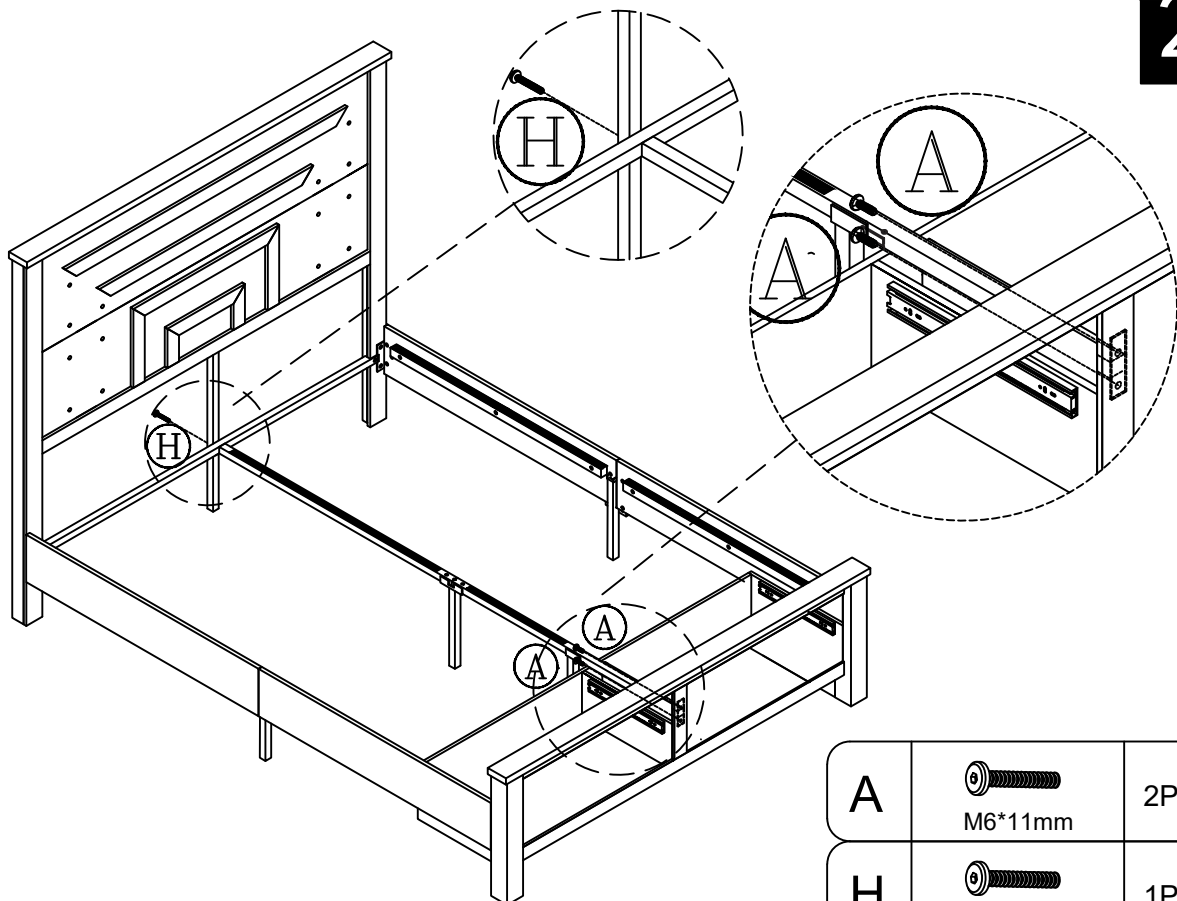




23



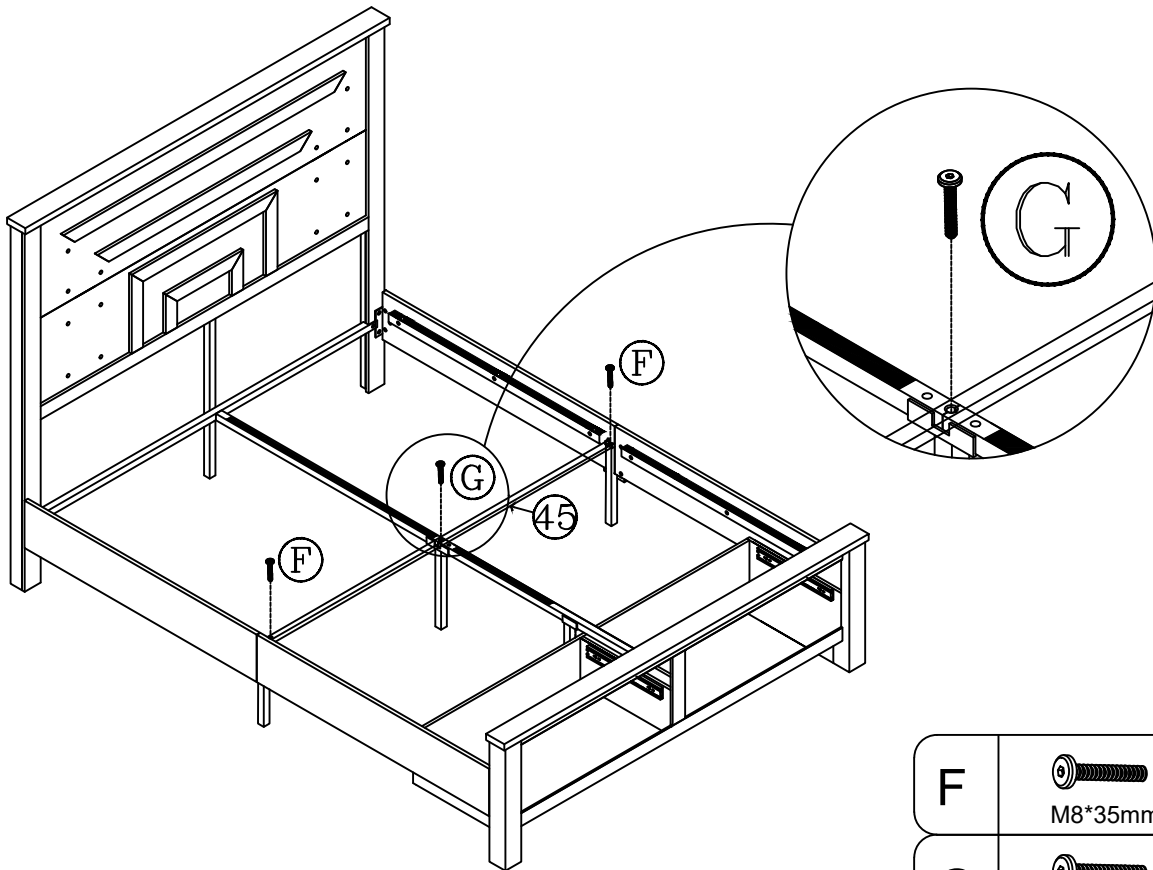
F	 M8*35mm	3PCS
---	--	------



24



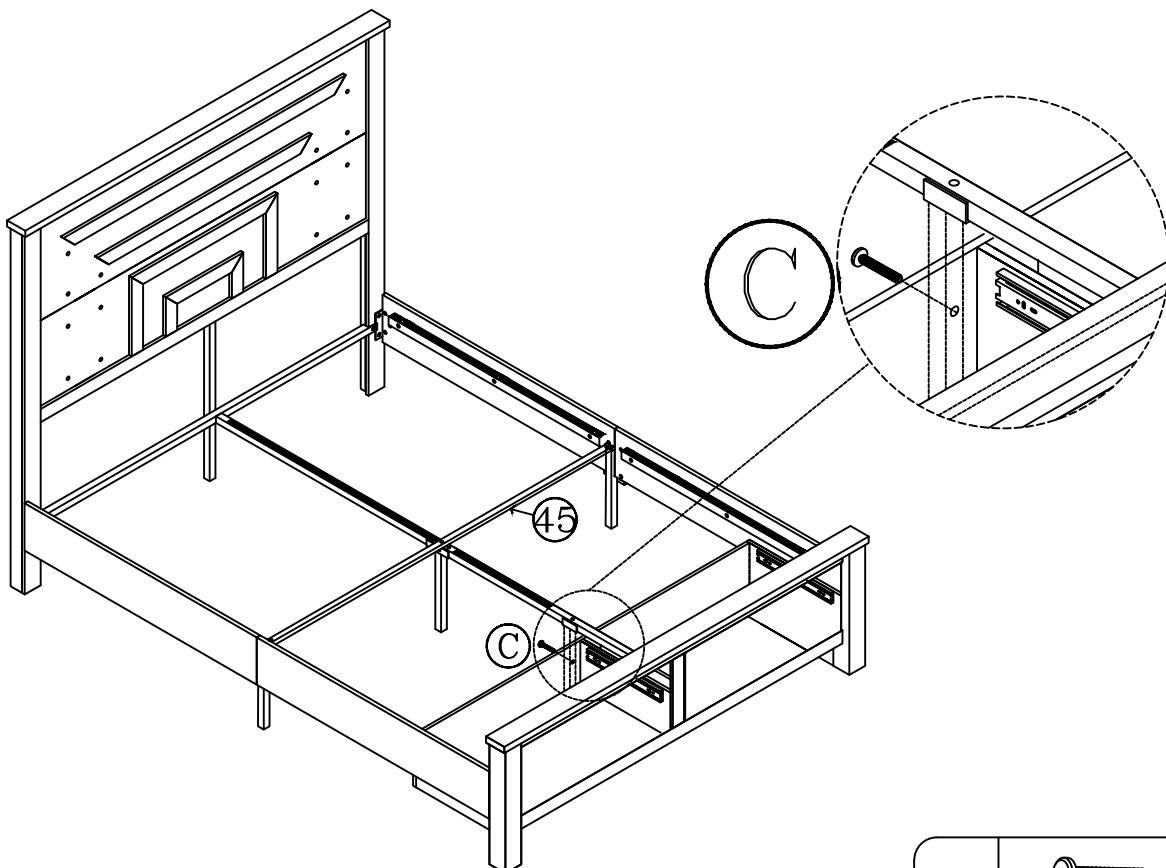
A	 M6*11mm	2PCS
H	 M8*65mm	1PC

25



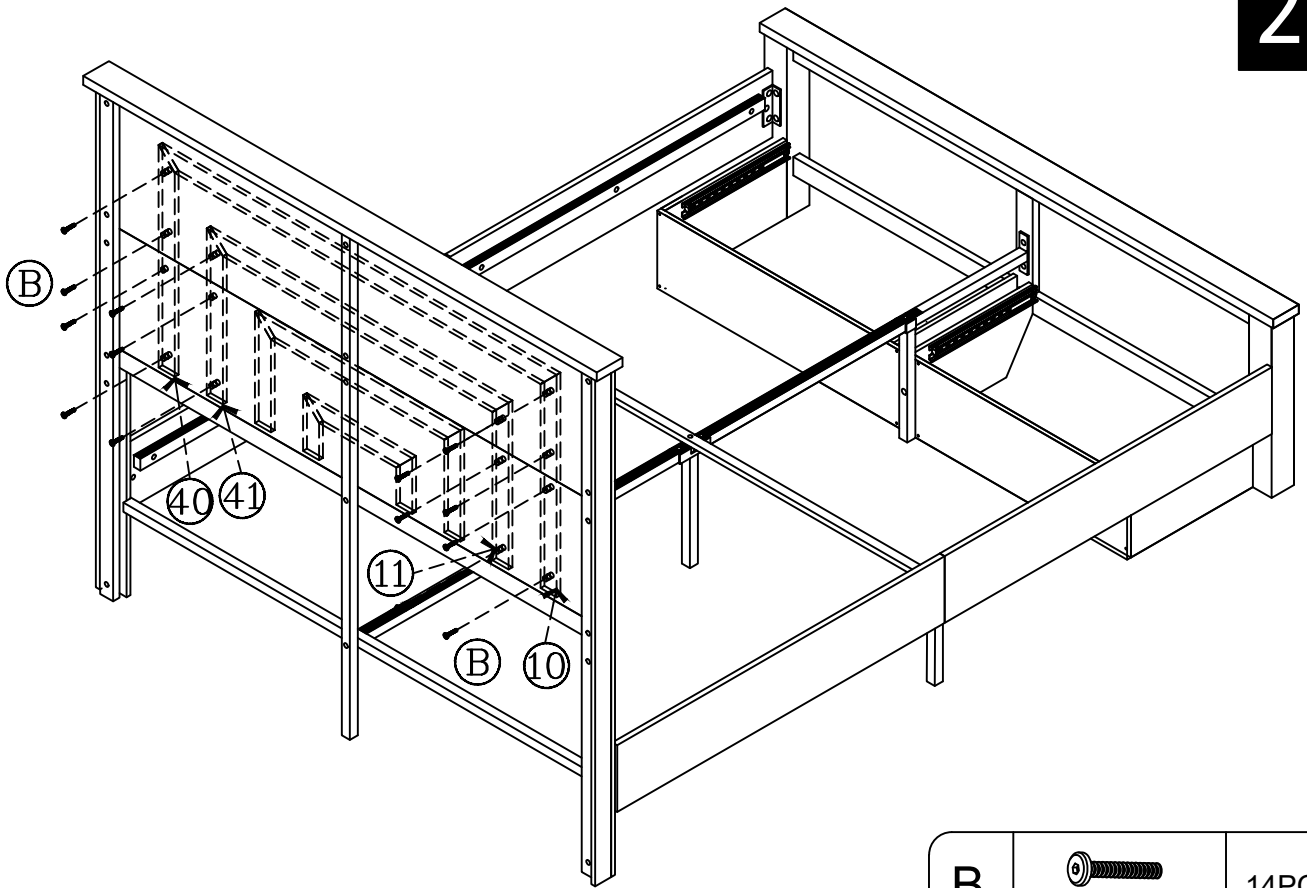
F	 M8*35mm	2PCS
G	 M8*50mm	1PC


26



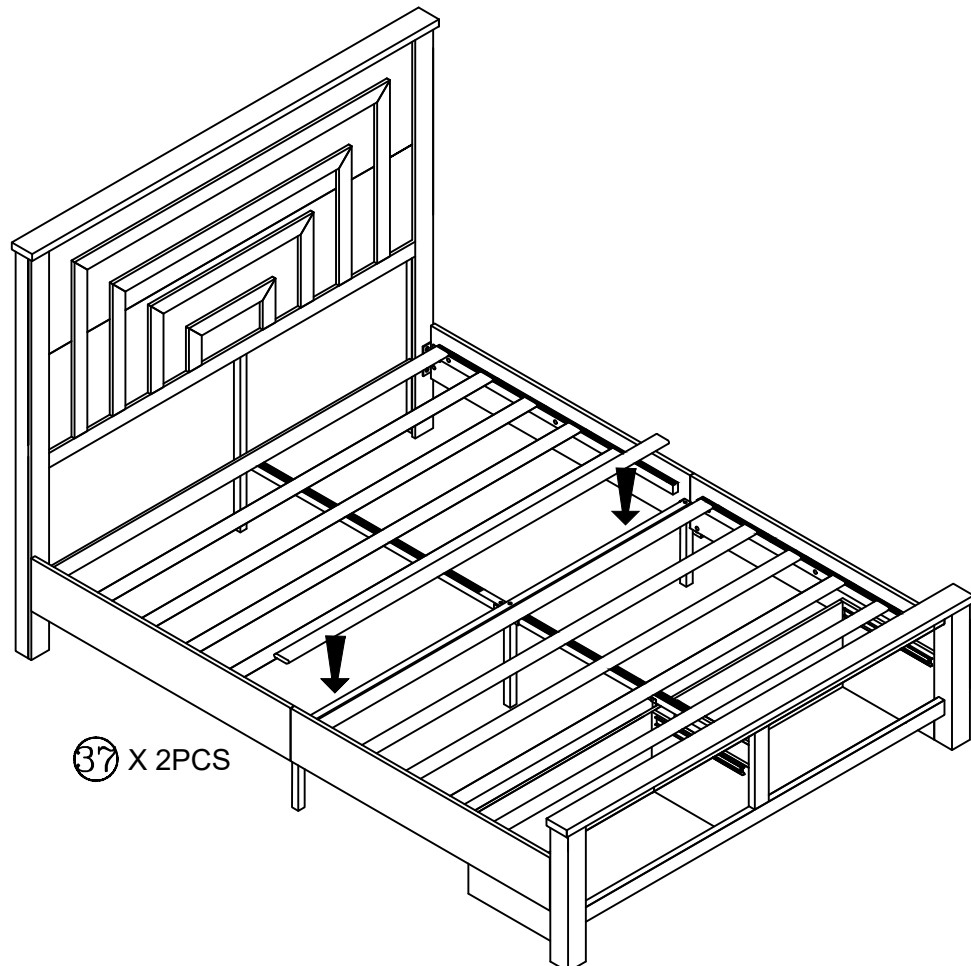
C	 M6*30mm	1PC
---	--	-----

27

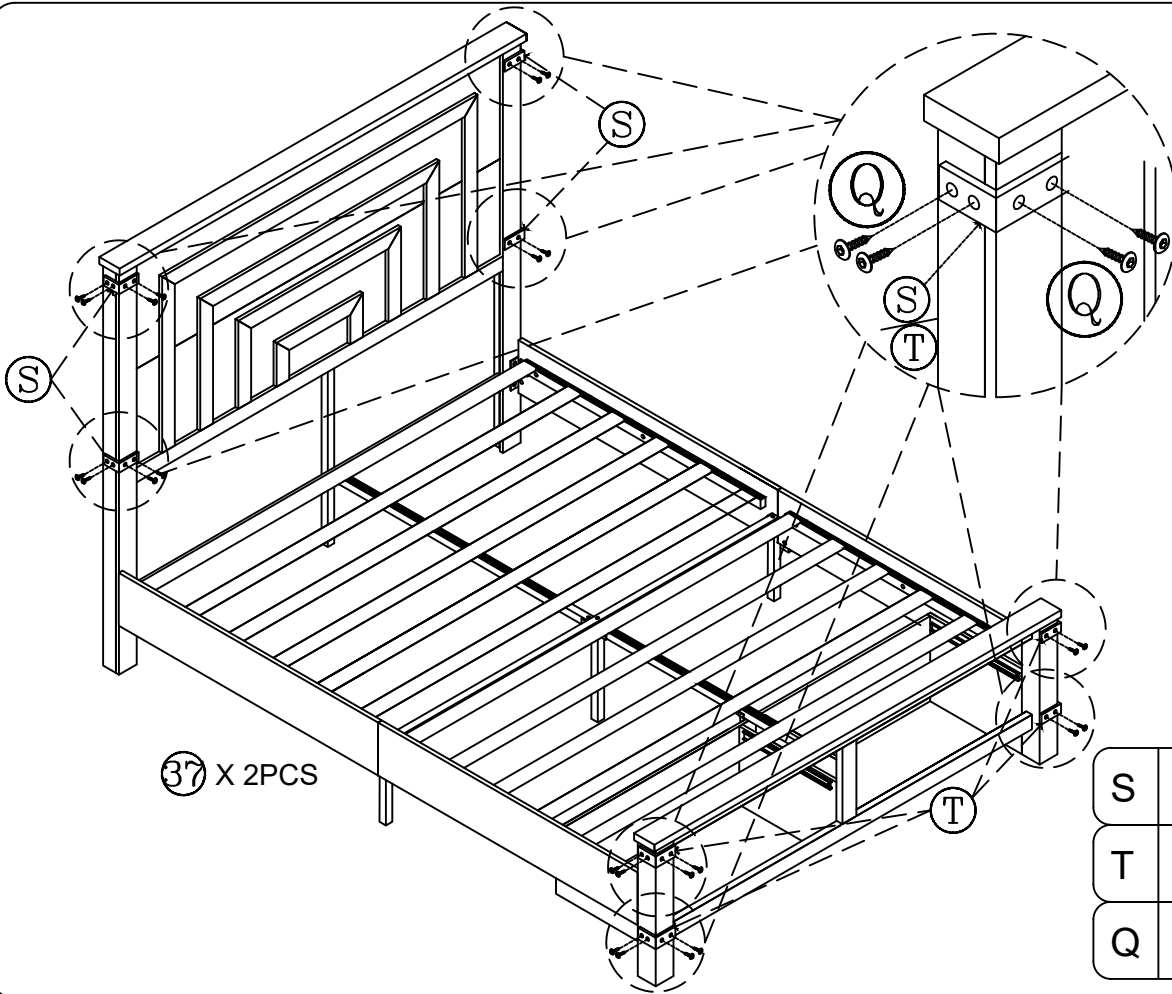


B	 M6*20mm	14PCS
---	--	-------

28



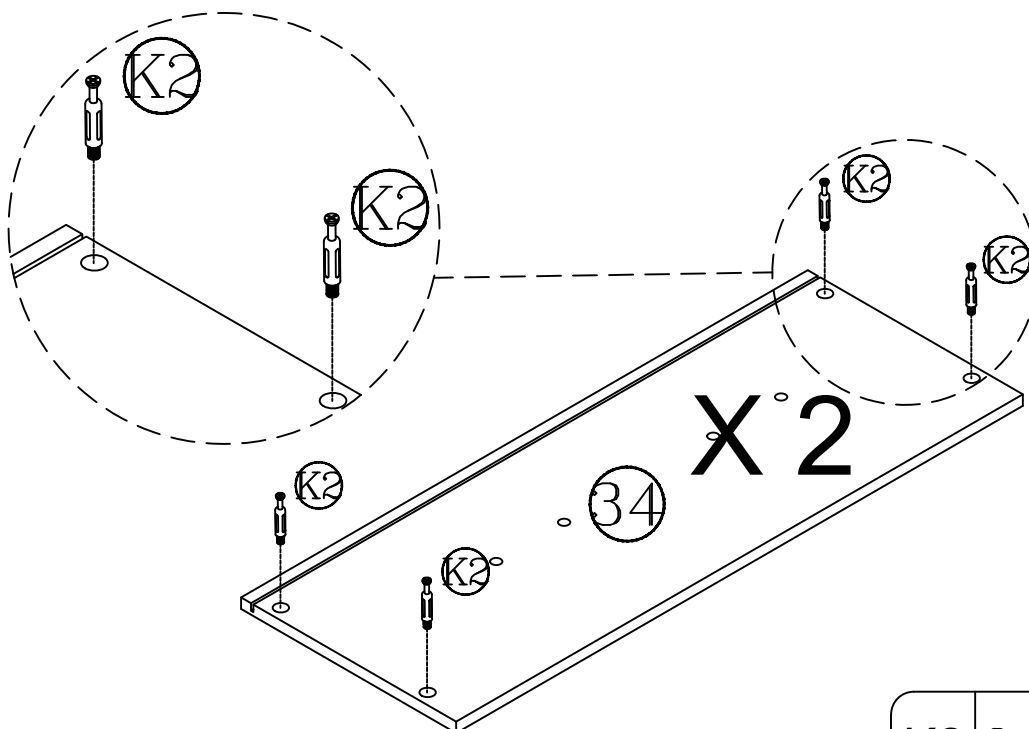
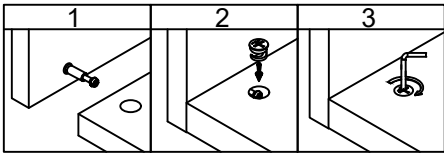
29



37 X 2PCS

S		4PCS
T		4PCS
Q	 M5*12mm	32PCS

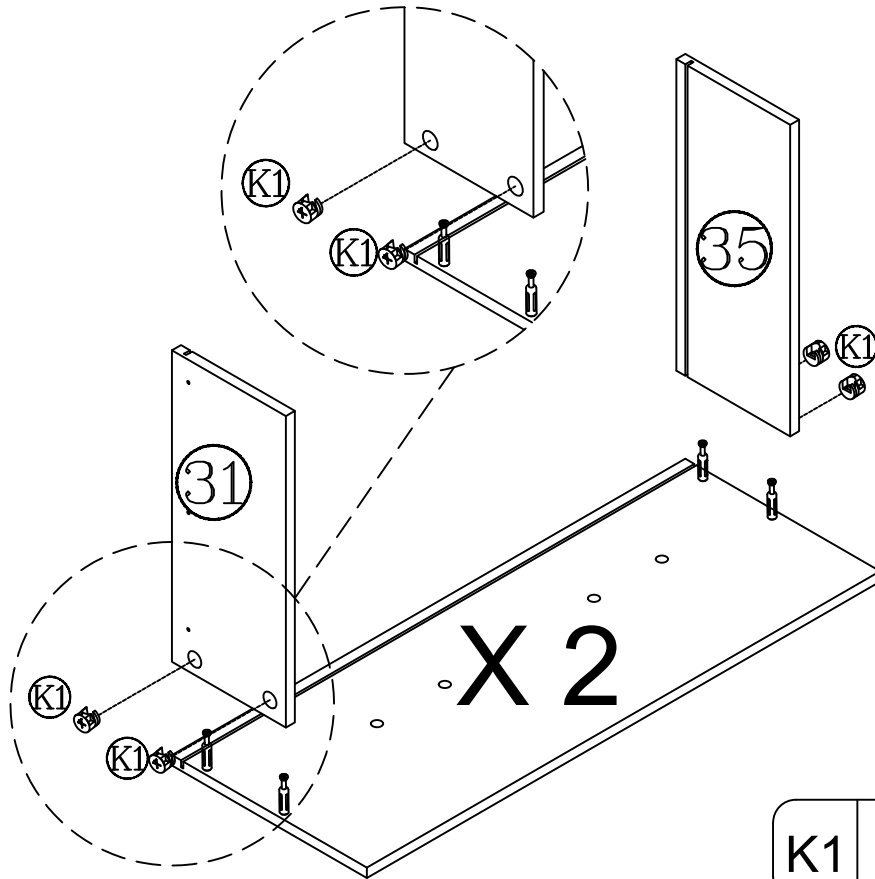
30



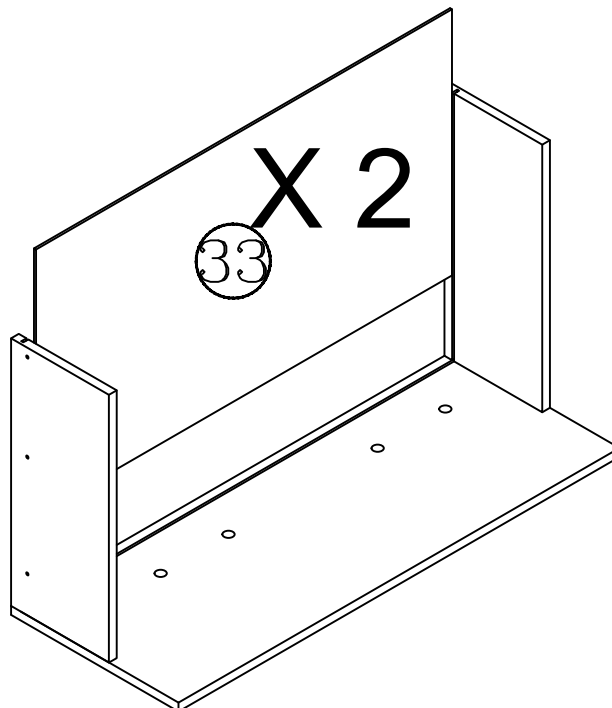
34 X 2

K2		8PCS
----	--	------

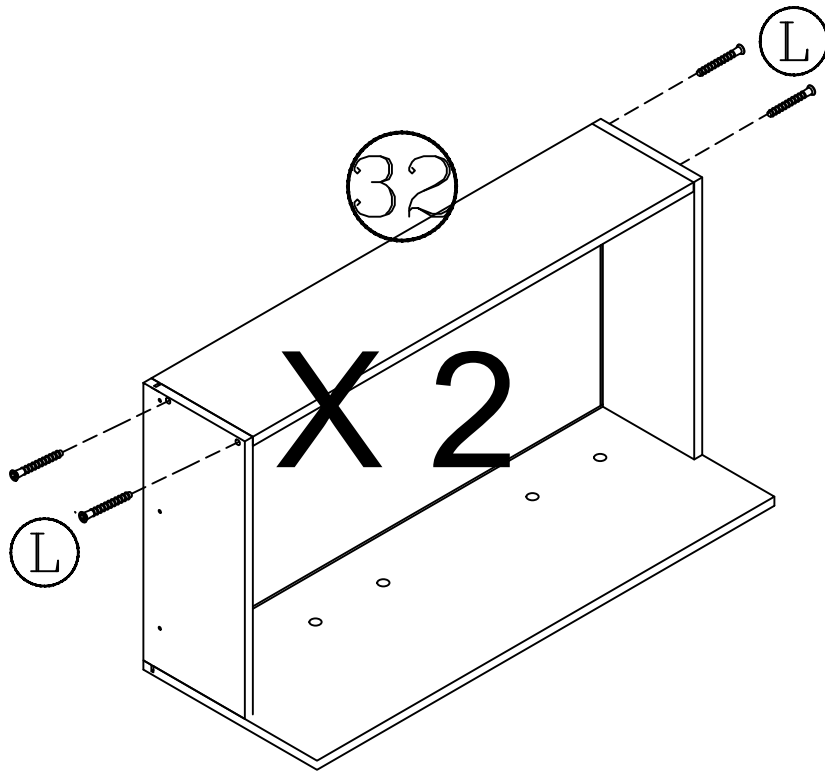
31

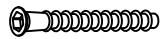


32

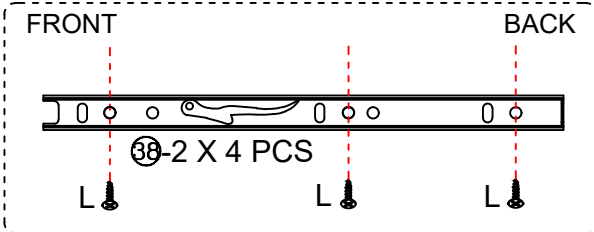


33

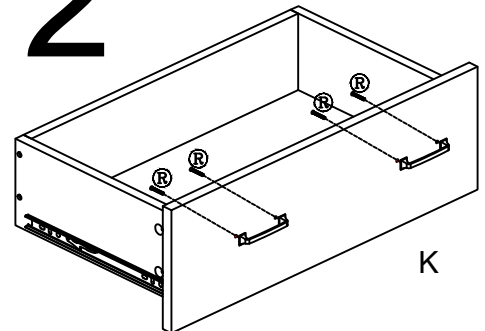
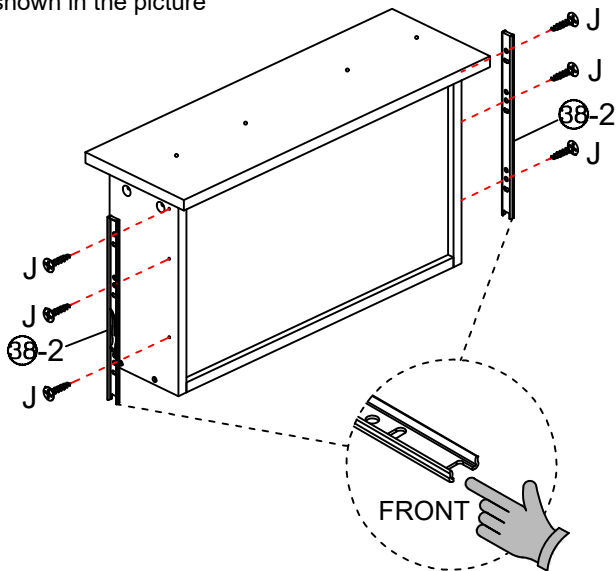



L		8PCS
---	---	------


34



Make sure part 38-2 faces the same direction as shown in the picture

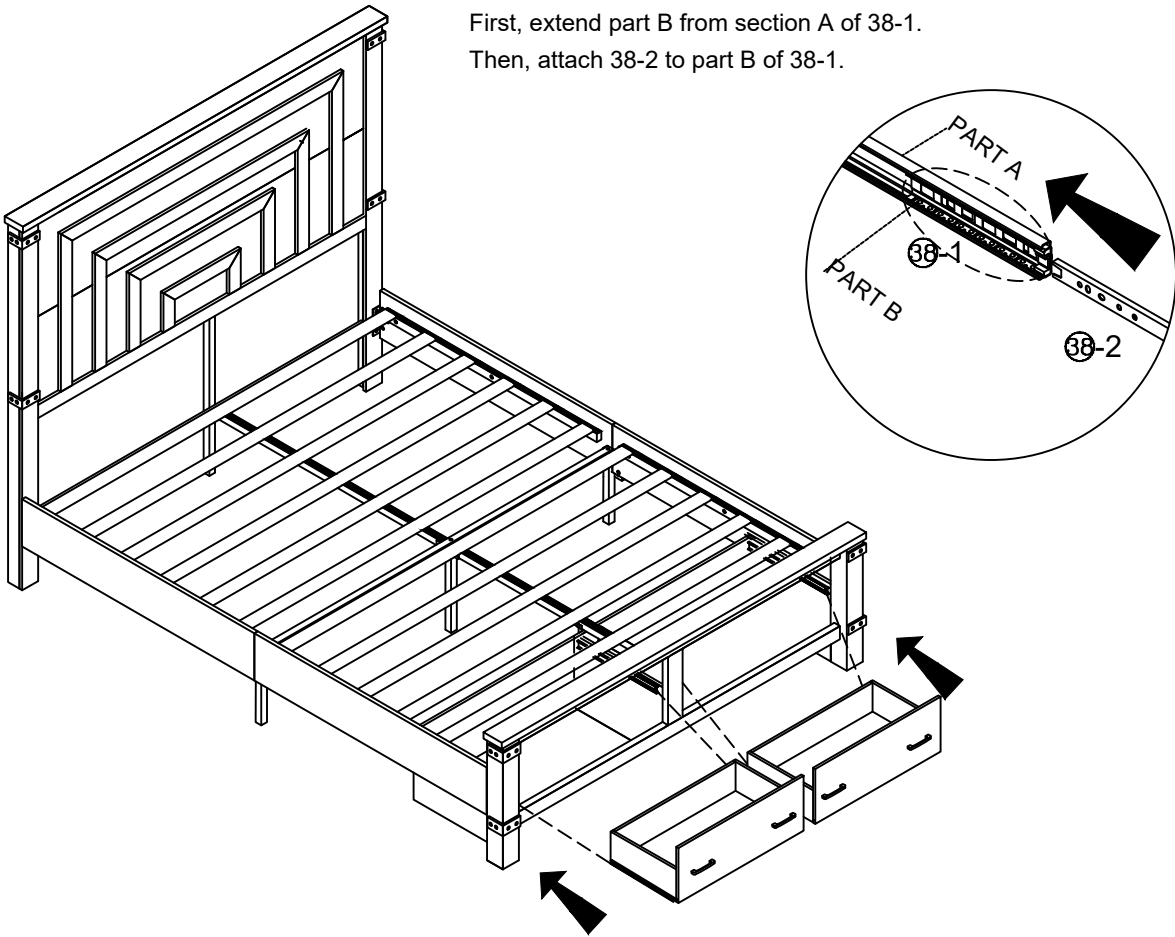


J	 M4*12mm	12PCS
---	--	-------

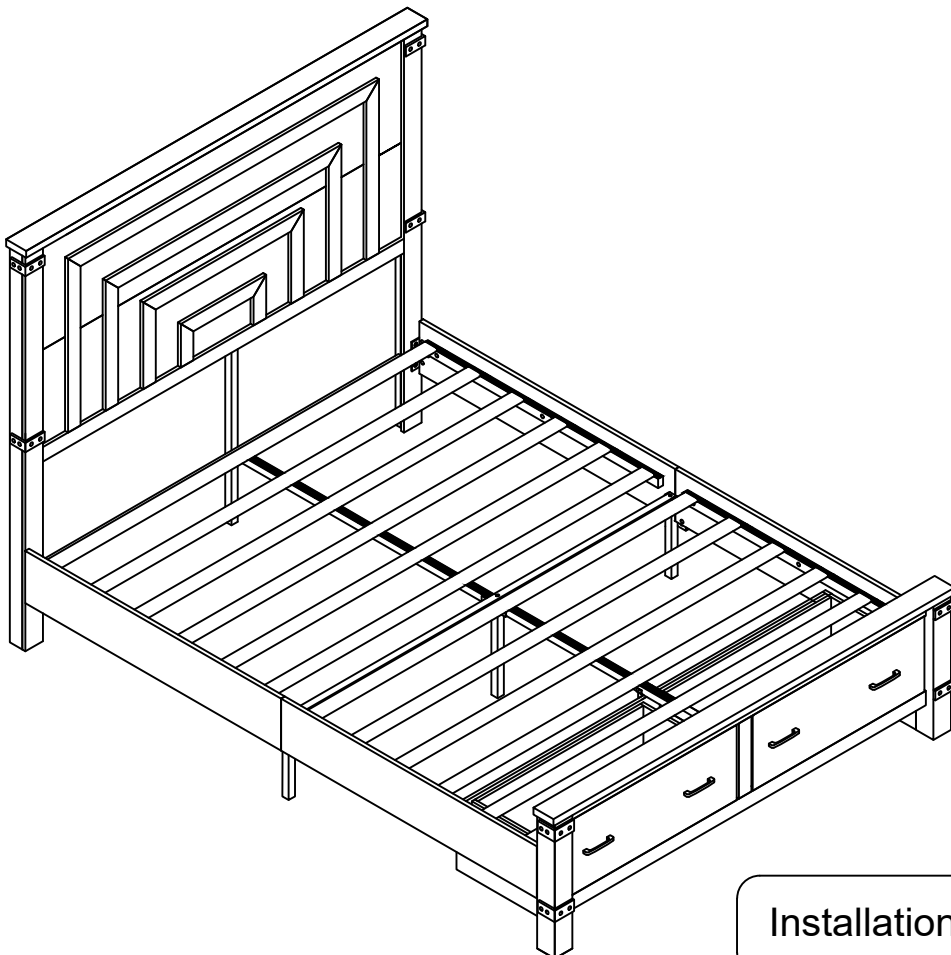
R		8PCS
---	---	------

35

First, extend part B from section A of 38-1.
Then, attach 38-2 to part B of 38-1.



36



Installation Complete