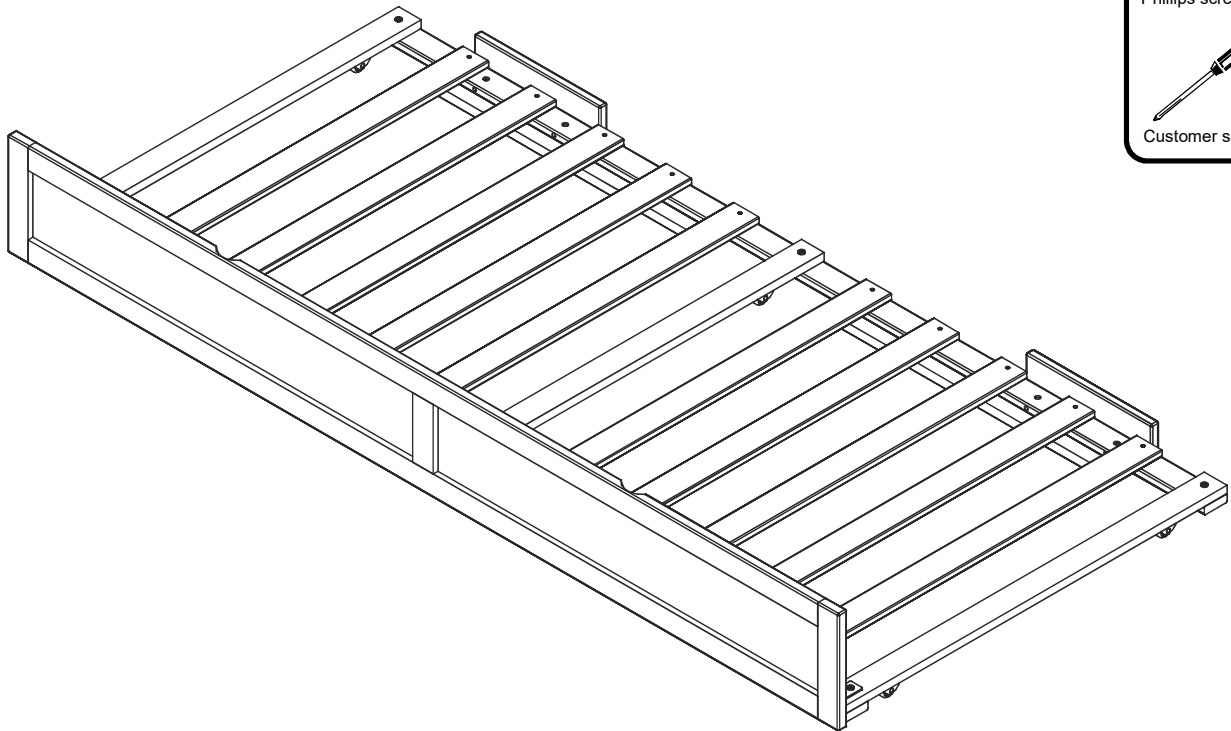


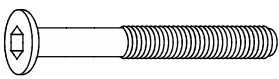
## TWIN XL ASSEMBLY INSTRUCTIONS

Before assembling your Trundle bed, please read through these instructions carefully. Familiarize yourself with the different parts.



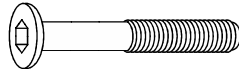
## HARDWARE


**NOTE: WE INCLUDE SPARE HARDWARE IN CASE DAMAGE OCCURS DURING ASSEMBLY.**

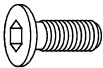
**A**  JCB M6 X 2 3/8" ( 60mm ) - 4 pcs  
Spare - 1 pc

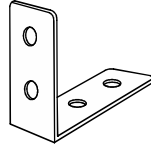
**D**  Barrel nut - 4 pcs  
For JCB M6 X 2 3/8"(60mm )

**F**  Wood screw - 20 pcs  
Spare - 2 pcs

**B**  JCB M6 X 1 5/8" ( 40mm ) - 9 pcs  
Spare - 1 pc

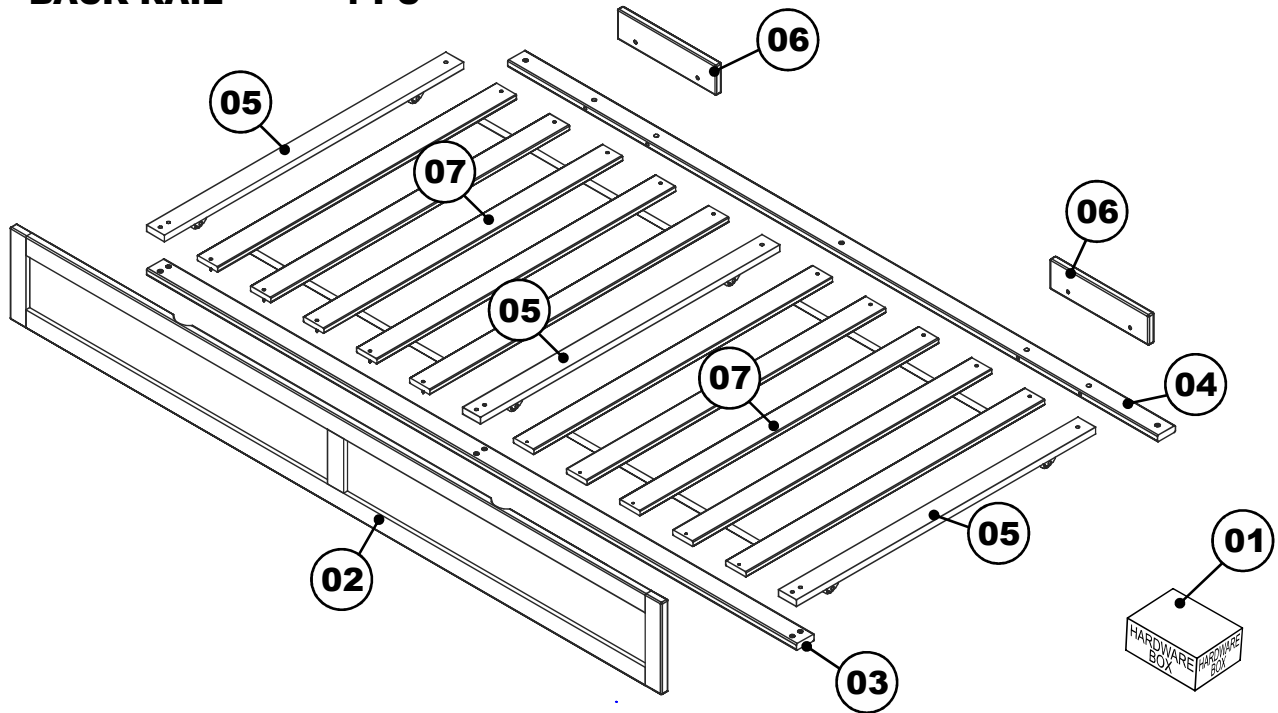
**G**  Allen wrench - 1 pc  
Spare - 1 pc

**C**  JCB M6 X 5/8" ( 15mm ) - 6 pcs  
Spare - 1 pc  
Fix L bracket to front panel

**E**  L Bracket - 3 pcs

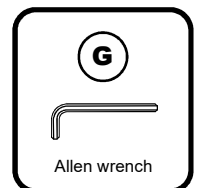
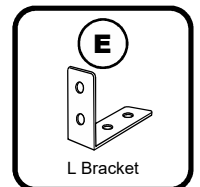
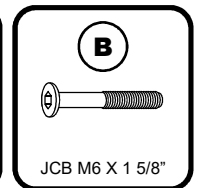
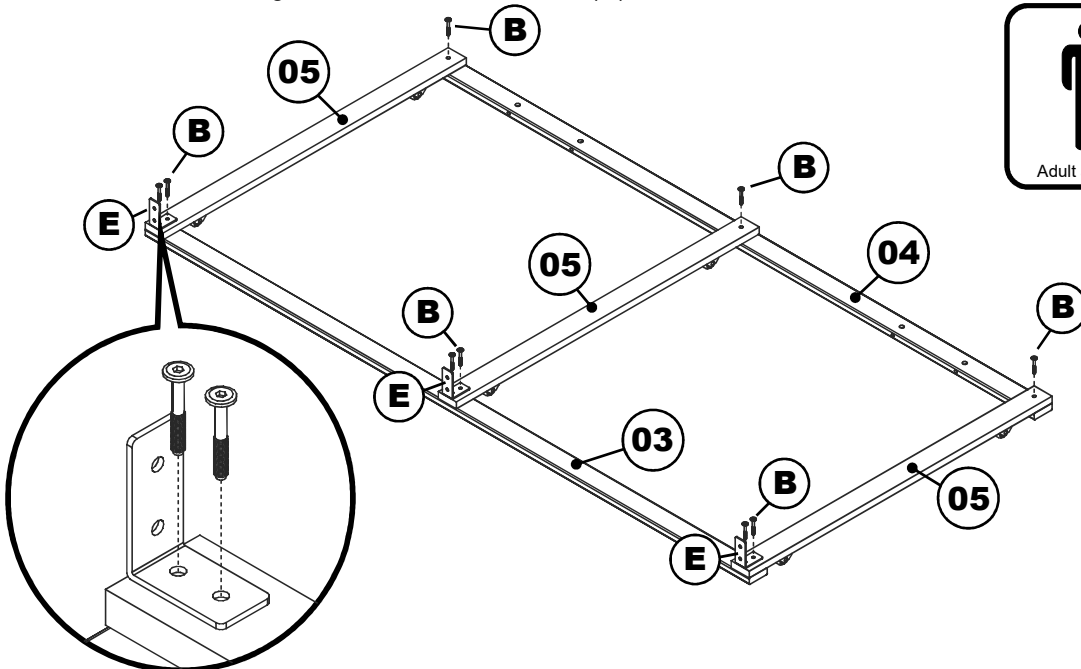
## TWIN XL PARTS LIST

<b>01</b>	<b>HARDWARE</b>	<b>1 BOX</b>		<b>05</b>	<b>LEFT, RIGHT, MID RAIL</b>	<b>3 PCS</b>
<b>02</b>	<b>FRONT PANEL</b>	<b>1 PC</b>		<b>06</b>	<b>REAR BLOCK</b>	<b>2 PCS</b>
<b>03</b>	<b>FRONT RAIL</b>	<b>1 PC</b>		<b>07</b>	<b>SLAT KIT WITH WEBBING</b>	<b>2 SETS</b>
<b>04</b>	<b>BACK RAIL</b>	<b>1 PC</b>				



### Step 1

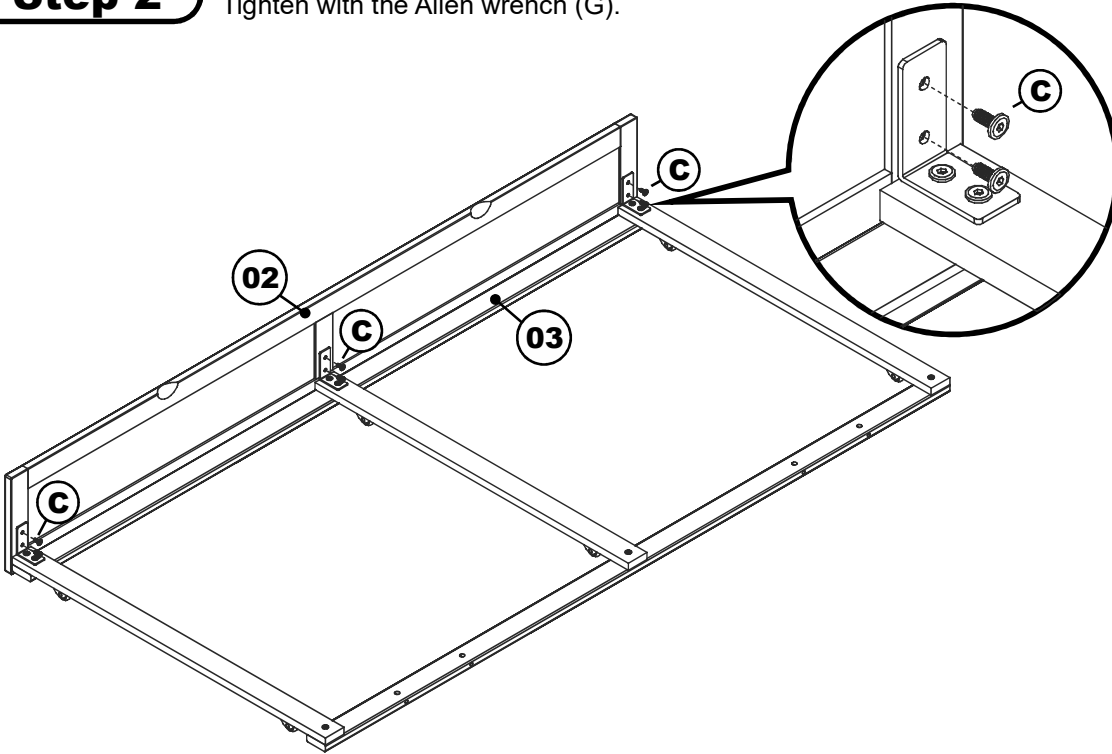
Attach the left, right and mid rails (05) to the front rail (03) using L bracket (E) and JCB M6 X 1 5/8" (B). Attach left, right and mid rails (05) to the back rail (04) using JCB M6 X 1 5/8" (B). Tighten with the Allen wrench (G).



## TWIN XL

### Step 2

Attach the front panel (02) to the front rail (03) as shown, using JCB M6 X 5/8" (C). Tighten with the Allen wrench (G).



C

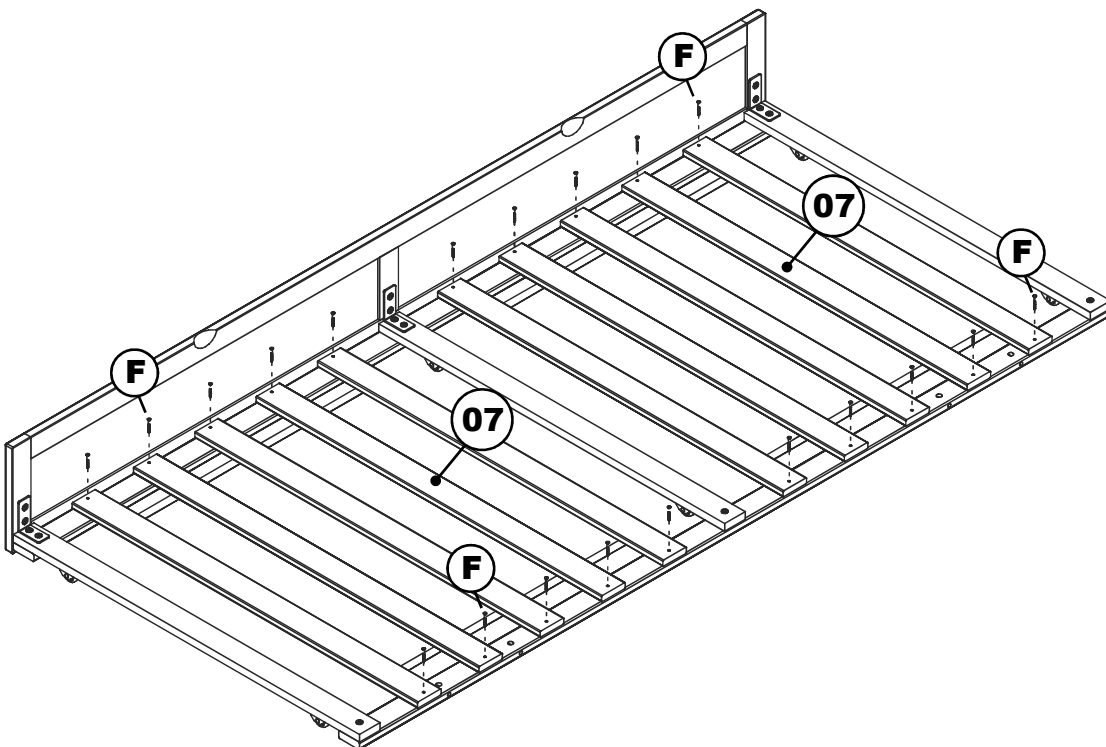


G

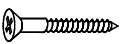


### Step 3

Lay the slat kits (07) webbing side down onto the rail assembly as shown. Attach using wood screw (F) and tighten with the Phillips head screw driver. (customer supplied)



F



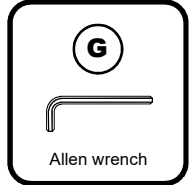
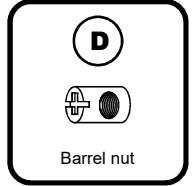
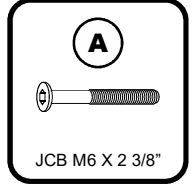
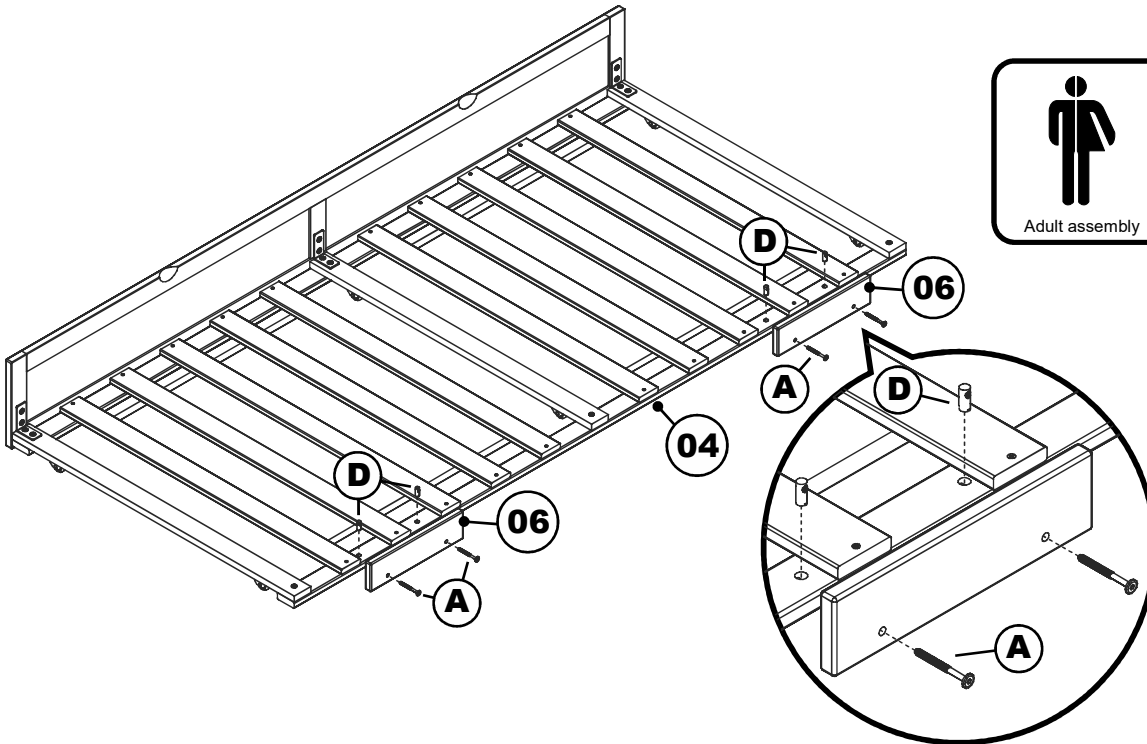
Phillips screwdriver



## TWIN XL

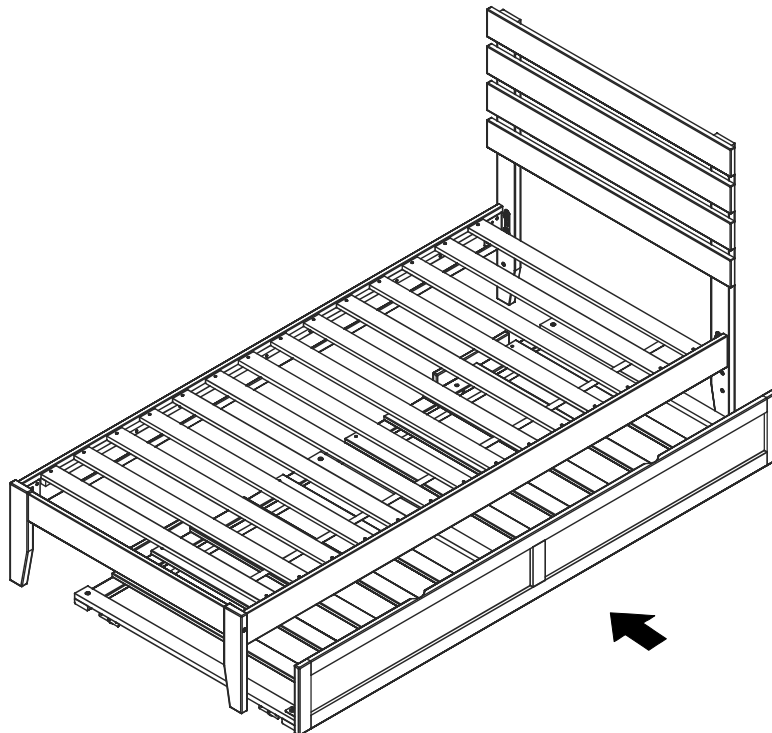
### Step 4

Attach the rear blocks (06) to the back rail (04) as shown using JCB M6 X 2 3/8"(A) barrel nut (D) Tighten with the Allen wrench (G)



### Step 5

Lastly, Insert Trundle bed to the bed as shown below.



### Congratulations!

Your Trundle bed is now ready for use.  
We recommend that you periodically check that all screws are tight and all parts are secure to ensure lasting safety.