

ASSEMBLY INSTRUCTIONS

Toll - Free Number : 1-833-273-2277

MODEL : BQ0122-1 / BQ0122-2
QUEEN BED

(Box 1)
BOX OF HEADBOARD & FOOT

No	ITEM	Qty
A	Headboard	1 pc
B	Footboard	1 pc
C	Headboard Leg (L/R)	2 pcs
D	Bed Slats	4 pcs
E	Bed Slats Support	4 pcs

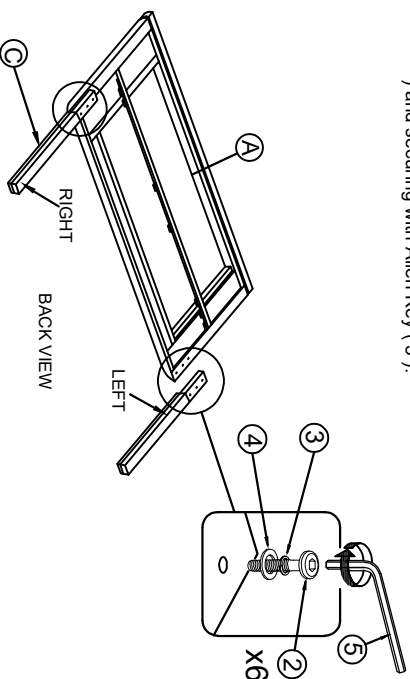
(Box 2)
BOX OF SIDE RAIL

No	ITEM	Qty
F	Side Rail	2 pcs

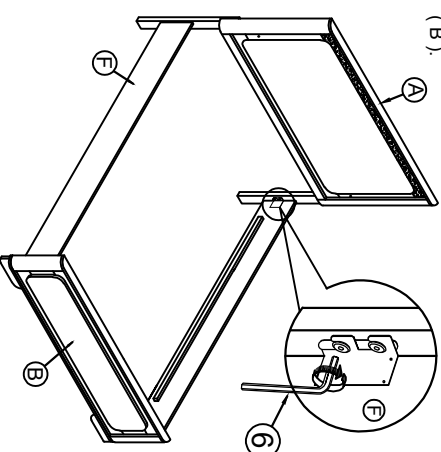
(Box 1)
HARDWARE LIST

No	ITEM	Qty
1	CSK M4 x 32mm	8 pcs
2	JCBC M6 x 40mm	6 pcs
3	SPRING WASHER 1/4" BIK	6 pcs
4	Flat Washer 1/4"D x 13mmOD BIK	6 pcs
5	ALLEN KEY M4 x 80mm BIK	1 pc
6	ALLEN KEY M5 x 65mm BIK	1 pc
7	12V+12V+1A Adaptor with ETL Certificate	1 pc

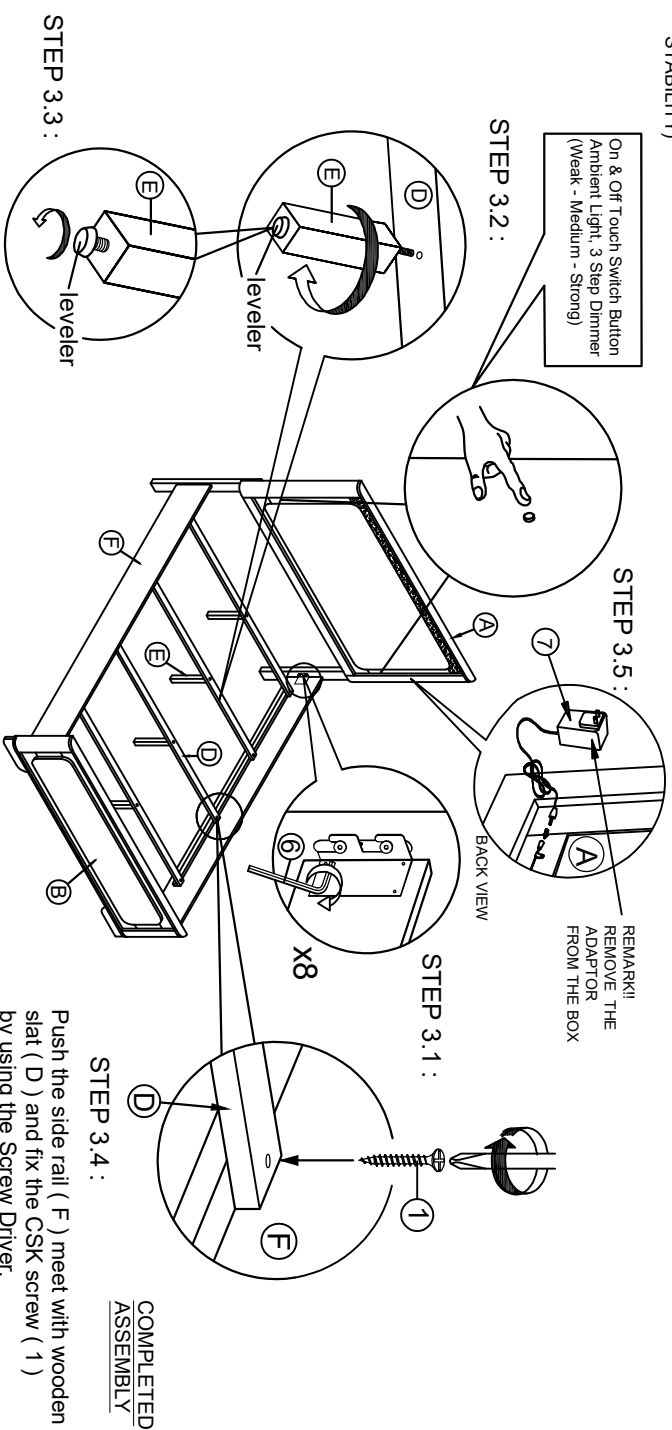
STEP 1 : Attach Headboard Leg (C) to Headboard (A) as shown using JCBC Bolt (2) with Spring Washer (3) , Flat washer (4) and securing with Allen Key (5) .



STEP 2 : Hook Side Rail (F) to Headboard (A) closely and push down to fit. repeat step 3 with other end of rail to hook onto Footboard (B) .



STEP 3 : Tighten the 4 Corner with Allen Key (6) . Fix the Bed Slat Support Leg (E) , to Bed Slat (D) as shown. Install the bed slat (D) to side rail (F) and tighten with CSK Screw (1) as per diagram shown. (NOTE: THE SETUP MUST DONE AT THE DECIDED LOCATION FOR THE BED TO OBTAIN PERFECT STABILITY)



NOTE : MUST TIGHTEN SCREWS PERIODICALLY WITH USE SCREW WILL BECOME LOOSE CHECK TIGHTNESS OF ALL SCREW EVERY 6-8 WEEKS.