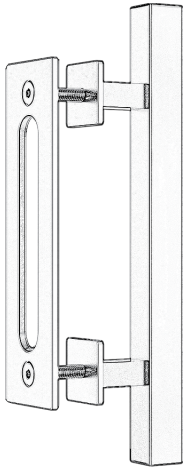


Soquaint

10" Sliding Barn Door Handle Stainless Steel Square



Heart For Service

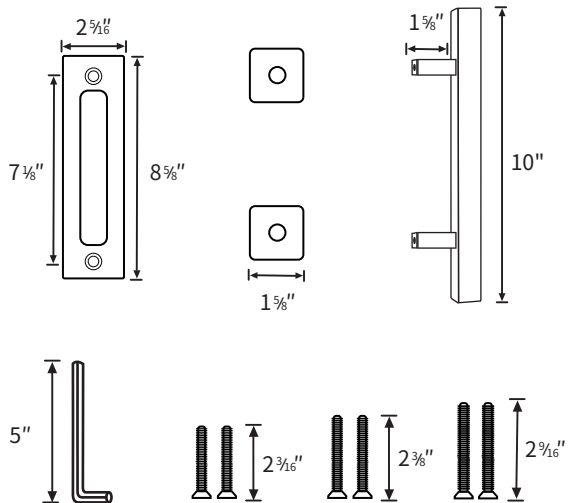
Your feedback and comments are important to us and we encourage you to email us directly for listed conditions:

- 1. Product doesn't works
- 2. The item and descriptions are not match
- 3. Product damaged in transit
- 4. Miss to receive part accessories
- 5. Need technical supports

We always at your service 7days in 24hrs
YOUR SATISFACTION IS OUR RESPONSIBILITY!

Package Included

Unit: inch

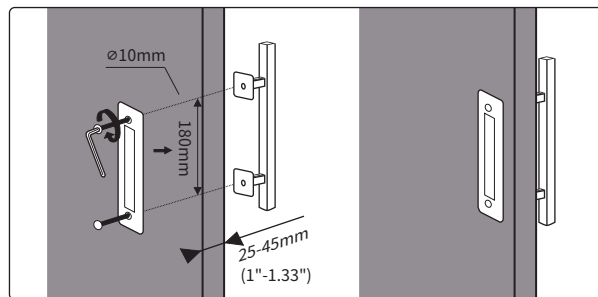


- Our products are made of high-quality materials, and each process and parts also pursue exquisite workmanship.

Installation steps

Step 1: Drill holes at the desired location.

Step 2: Place the pull handle and flush finger pull to the holes (sandwich the door) and use the L wrench and screws to mount the pull handle and the flush.



Tips: Please choose the screws according to the thickness of your door.