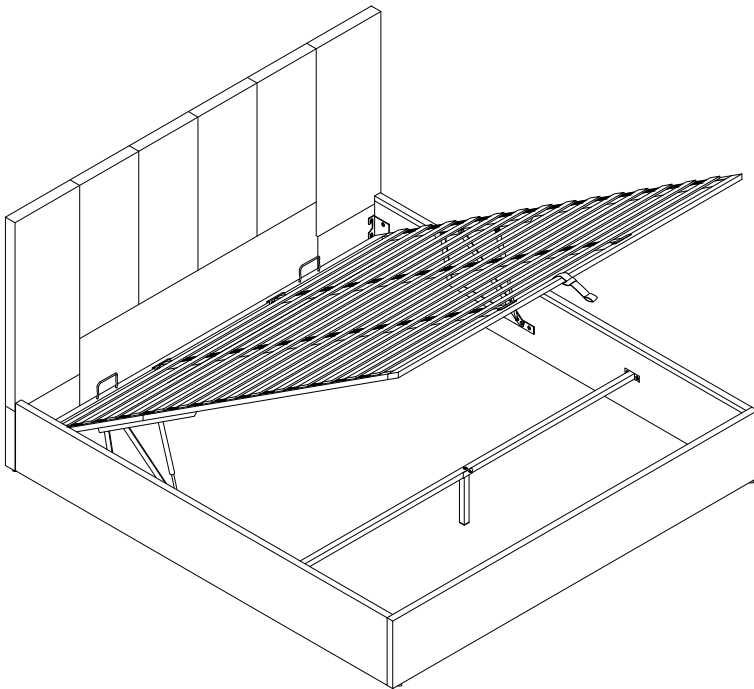


# ASSEMBLY INSTRUCTION



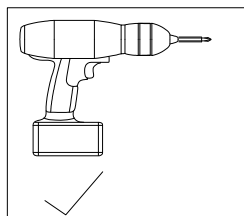
Please **TEAR OFF** this shrink film from side!  
**DO NOT USE CUTTER!**

## IMPORTANT NOTE

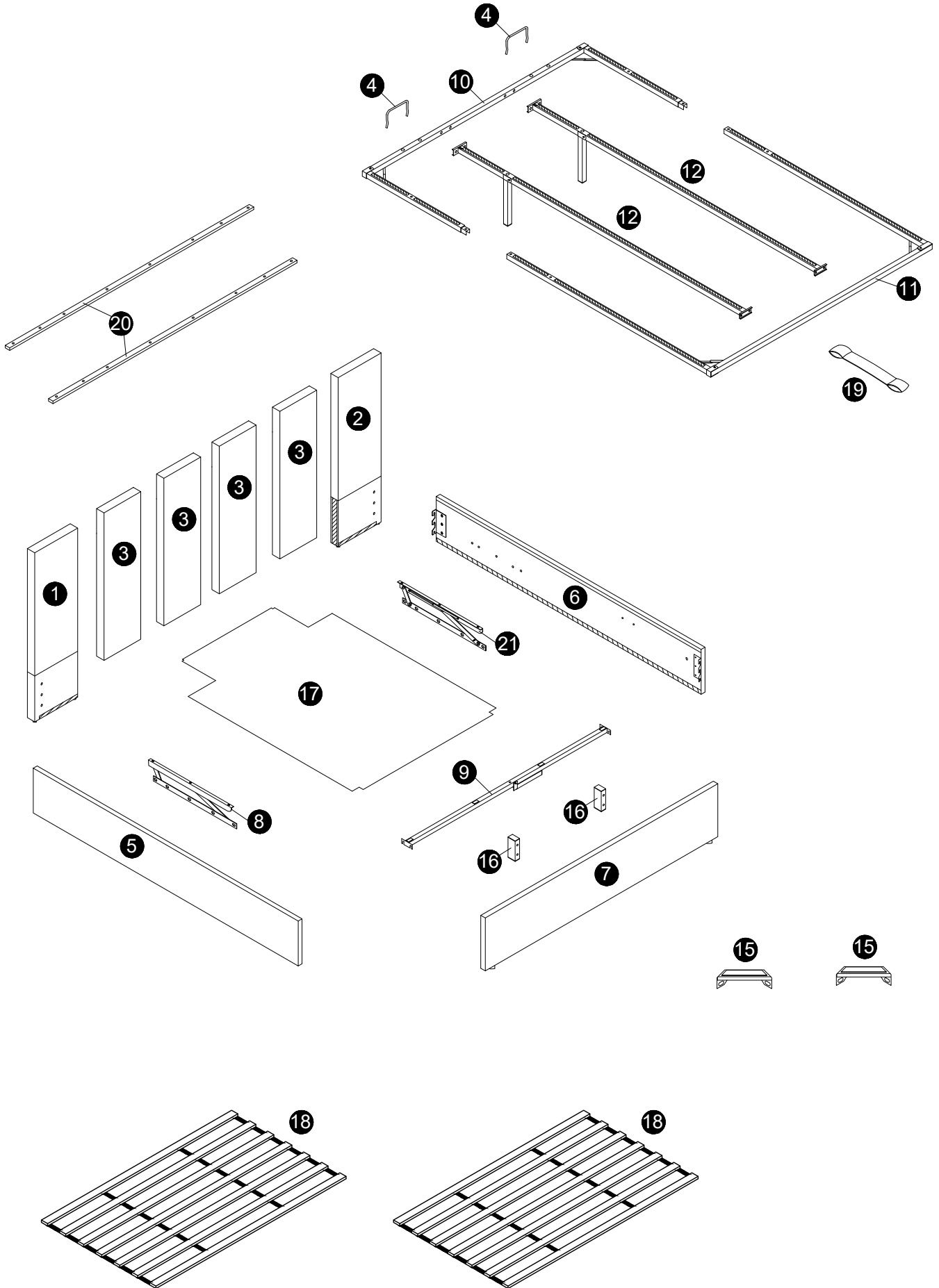
1. For the protection of your furniture, place all parts on a clean and smooth surface to prevent any damage.
2. Keep fittings out of children's reach and keep children well away from construction area.
3. When moving your assembled bed. it is best to lift the bed and never to drag it.
4. Do not use this product if parts are missing, damaged or worn.
5. This product should only be used on firm, level ground.
6. Please periodically check all fittings and re-tighten as necessary.
7. Do not use the bed unless all bolts and screws are firmly secured.
8. For further assistance, please provide a screenshot of your order and



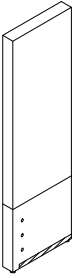
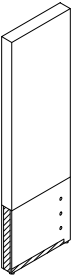
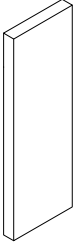
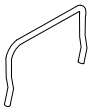
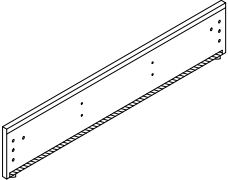
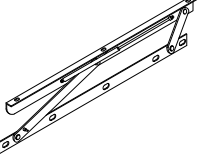


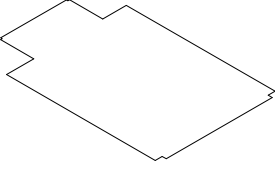
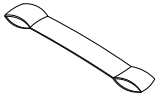
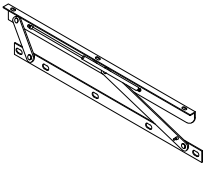
Minimum two  
person assembly



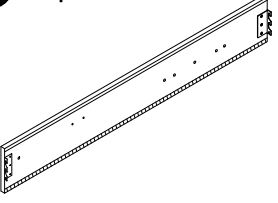
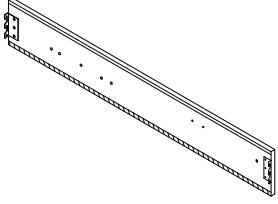
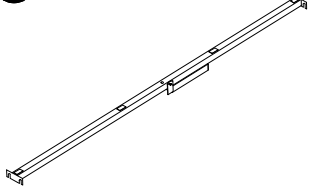

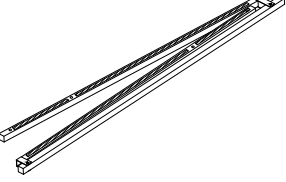
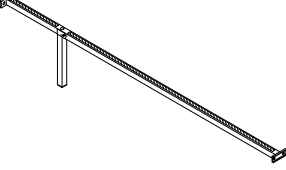
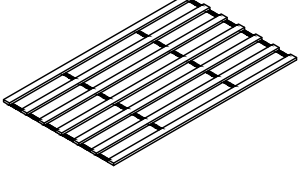
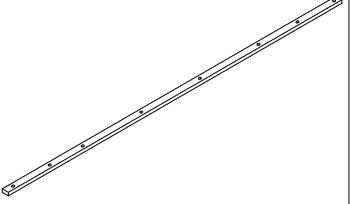
PART LIST



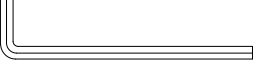
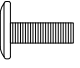

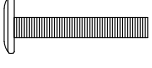

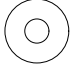



### components of carton A

<b>1</b> x 1pc 	<b>2</b> x 1pc 	<b>3</b> x 4pcs 	<b>4</b> x 2pcs 
<b>7</b> x 1pc 	<b>8</b> x 1pc 	<b>15</b> x 2pcs 	<b>16</b> x 2pcs 
<b>17</b> x 1pc 	<b>19</b> x 1pc 	<b>21</b> x 1pc 	

### components of carton B

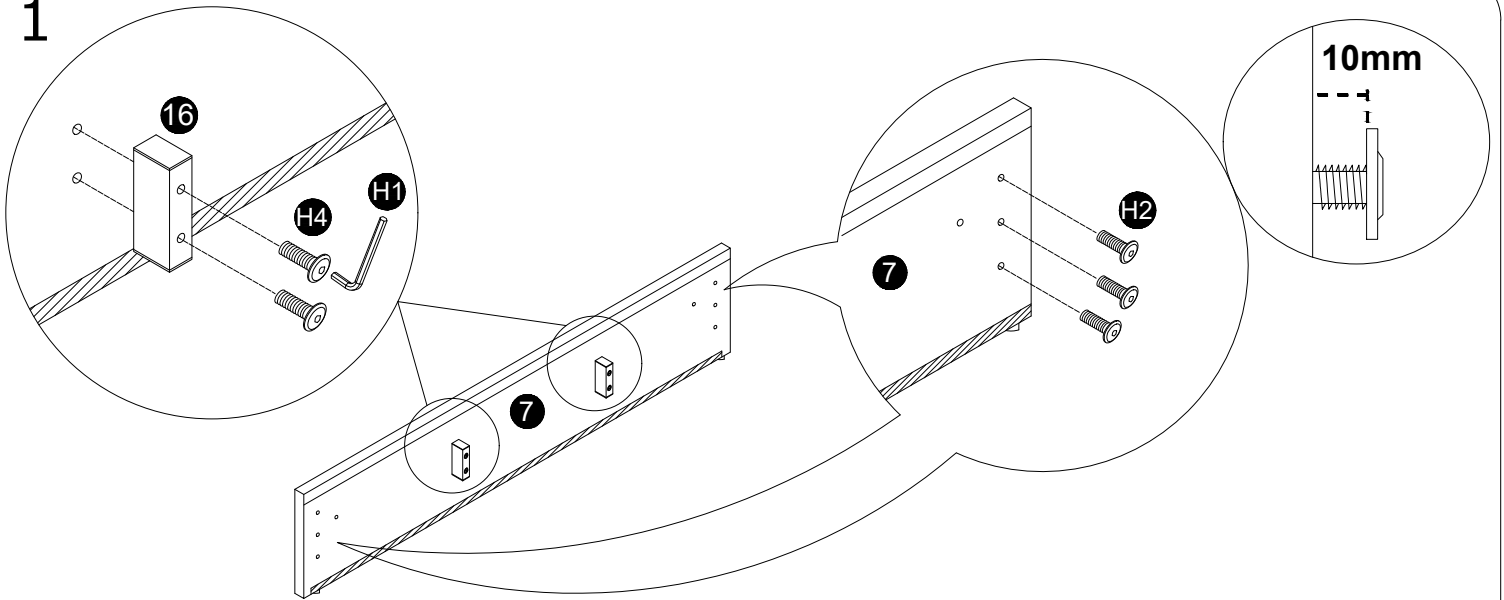
<b>5</b> x 1pc 	<b>6</b> x 1pc 	<b>9</b> x 1pc 	<b>10</b> x 1pc 
<b>11</b> x 1pc 	<b>12</b> x 2pcs 	<b>18</b> x 2pcs 	<b>20</b> x 2pcs 

### HARDWARE LIST

 <b>H1</b> M5 x 1pc	 <b>H2</b> M8x25mm x 32pcs	 <b>H3</b> M8x35mm x 6pcs	 <b>H4</b> M8x60mm x 4pcs
 <b>H5</b> M8 x 22pcs	 <b>H6</b> M8x22mm x 22pcs	 <b>H7</b> M8 x 6pcs	 <b>H8</b> M14 x 1pc
			 <b>H9</b> M8x45mm x 25pcs

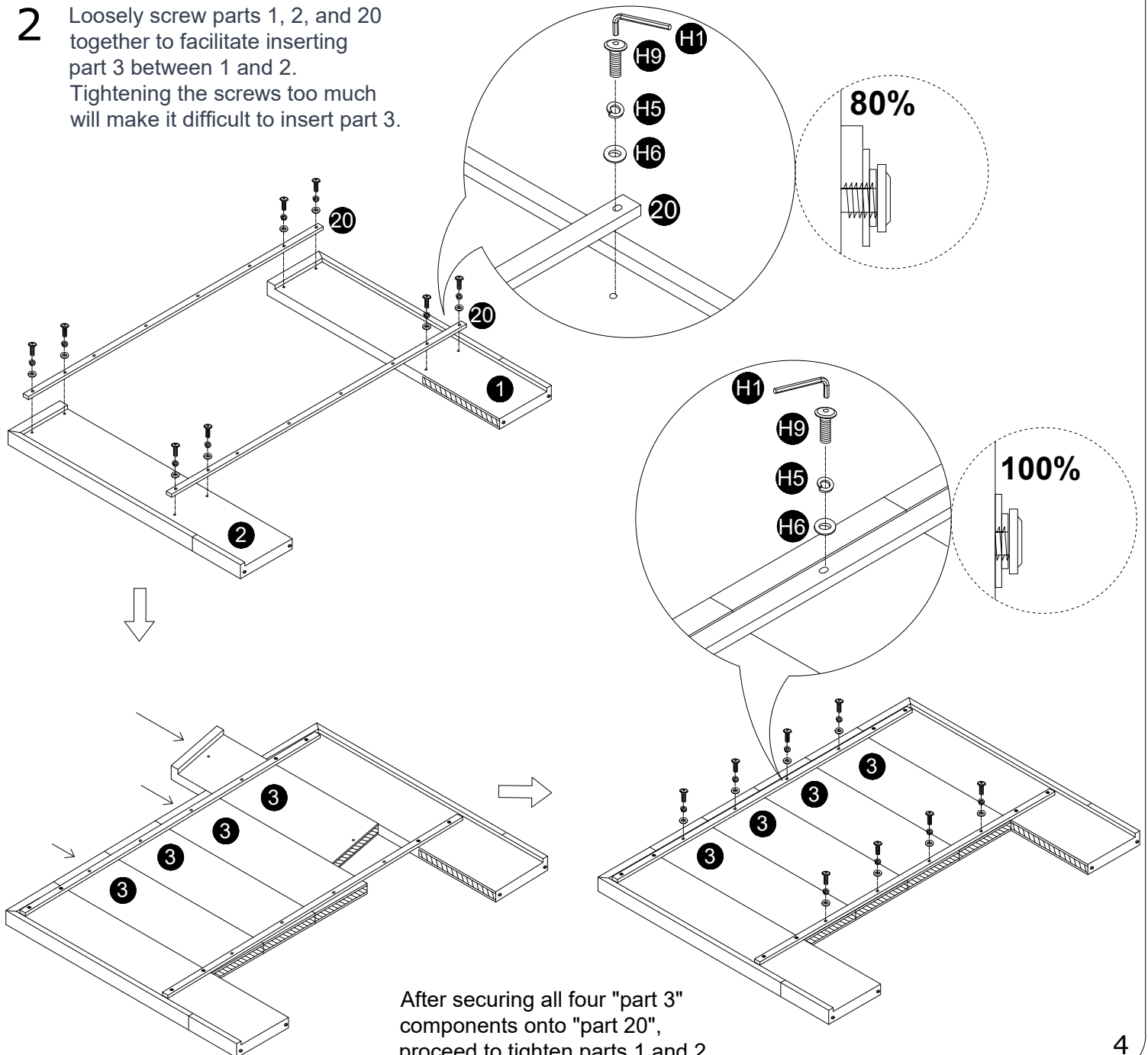
**Please ensure to thoroughly inspect the small inner cardboard box containing the hardware, which are tied with a red string, before disposing of the box.**

1

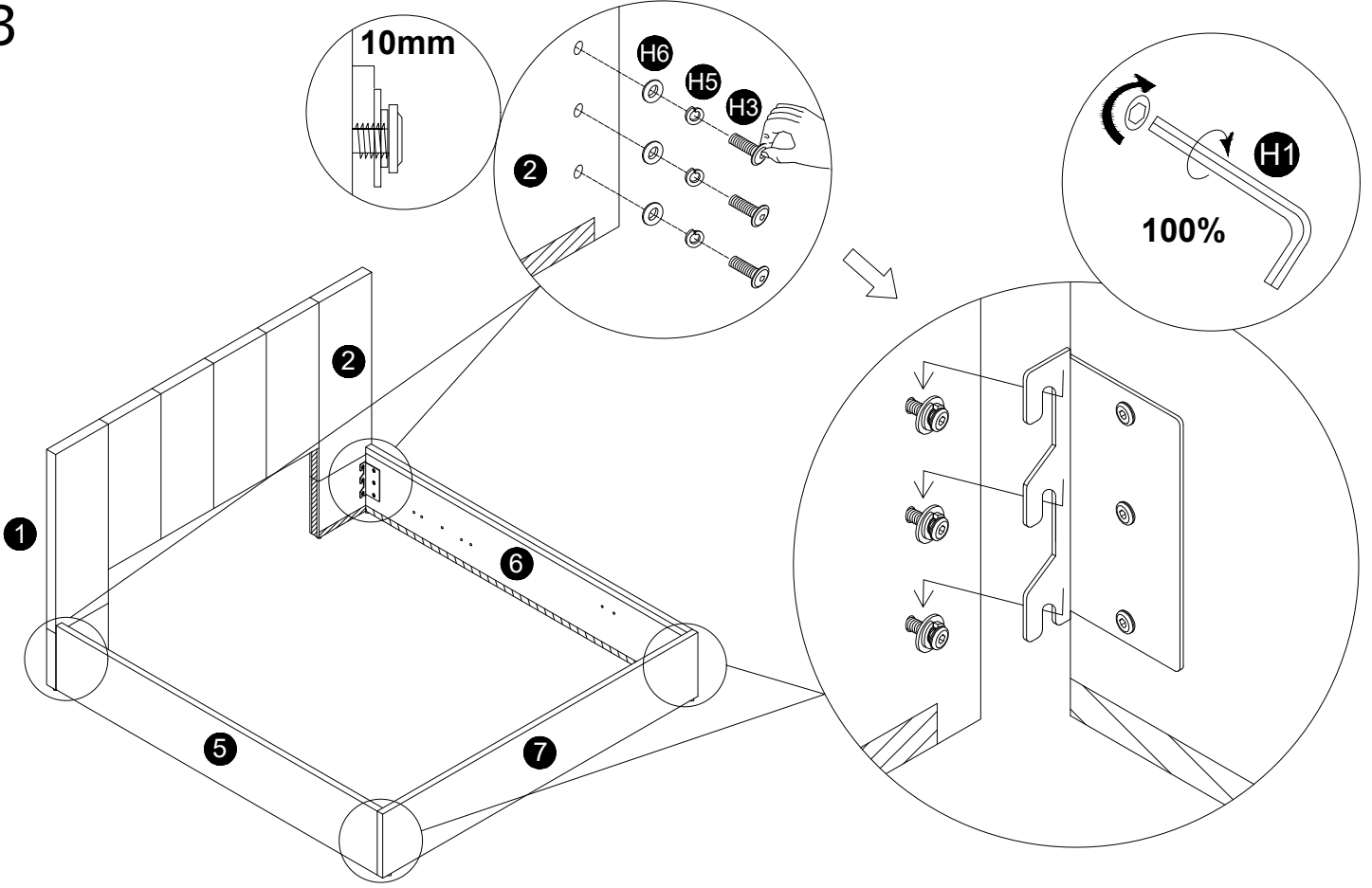


2

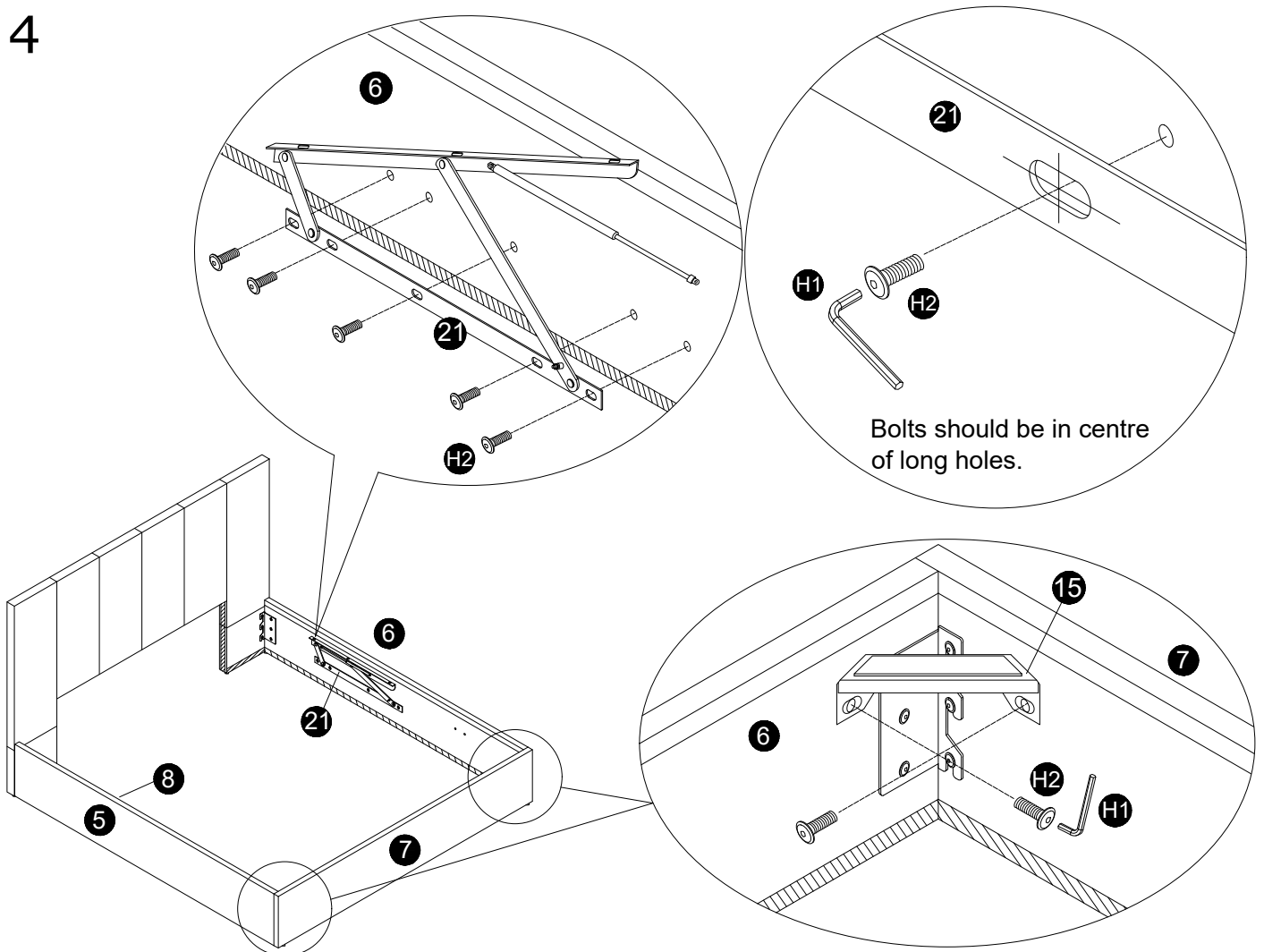
Loosely screw parts 1, 2, and 20 together to facilitate inserting part 3 between 1 and 2. Tightening the screws too much will make it difficult to insert part 3.



3

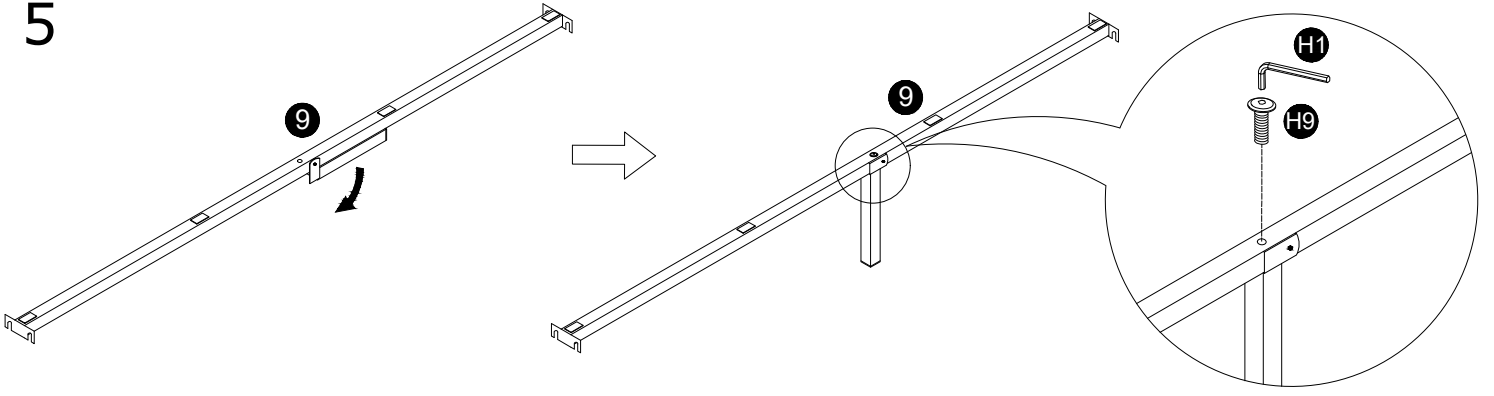


4

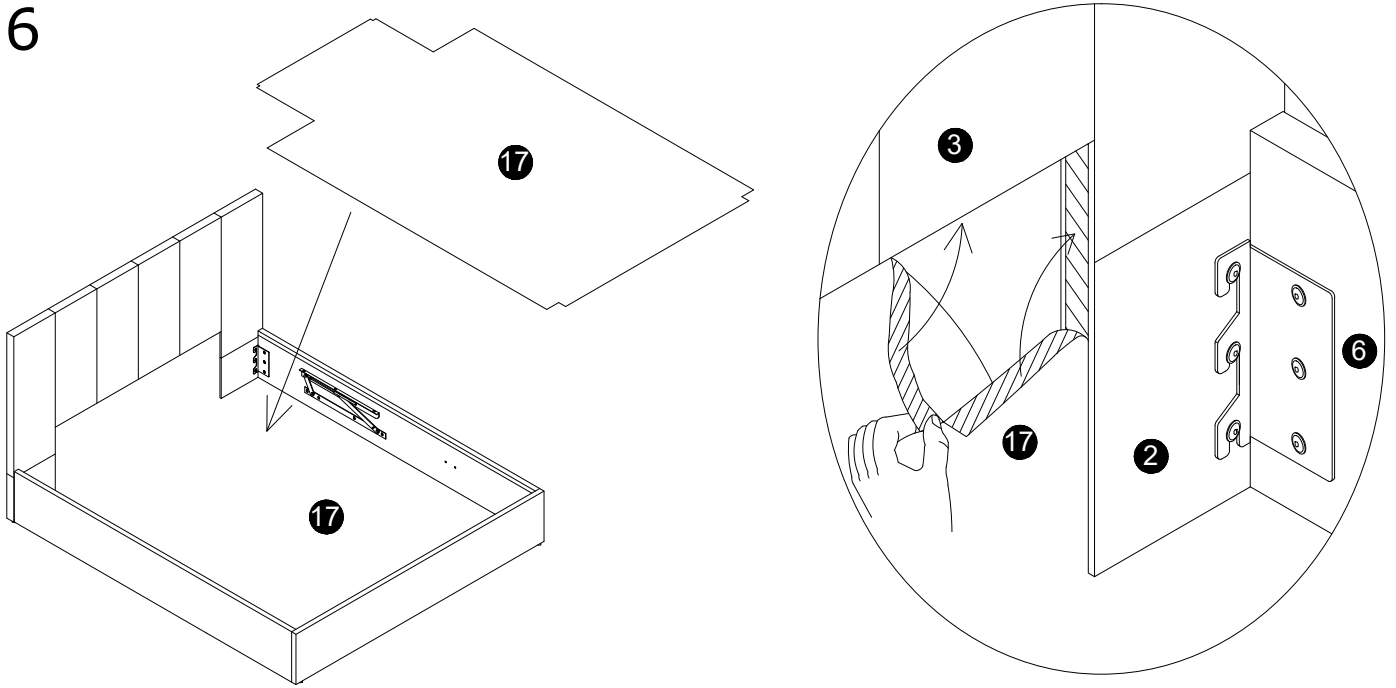


5

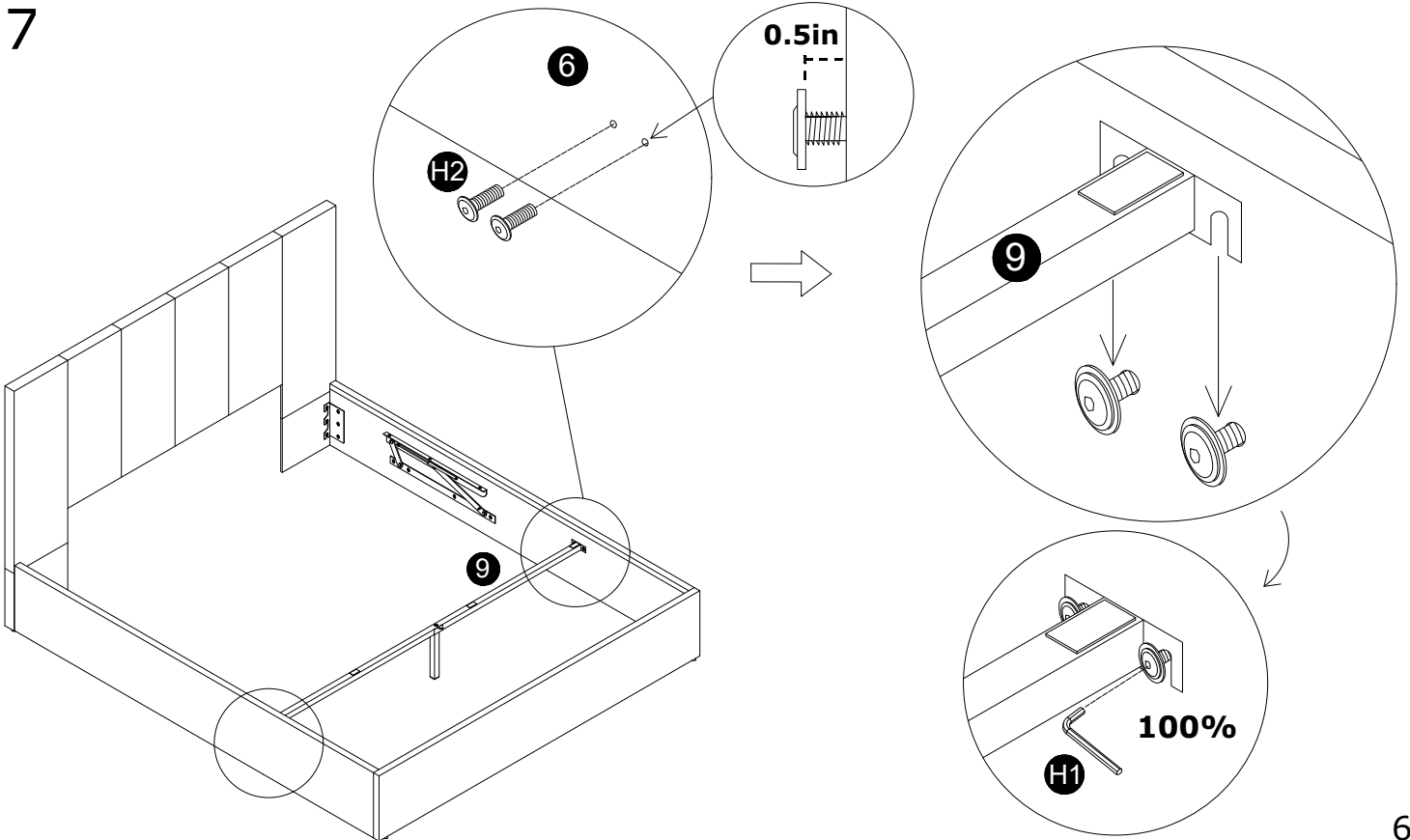
5



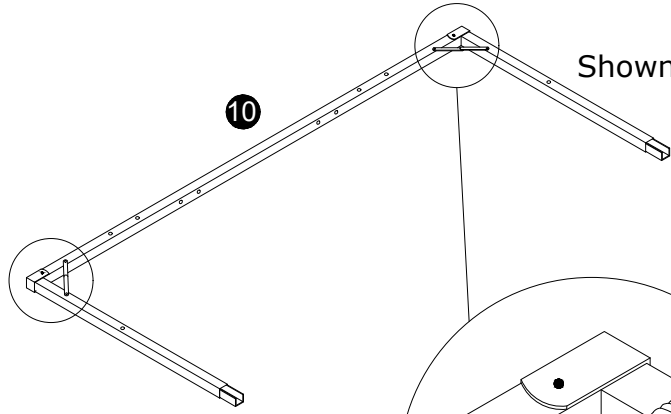
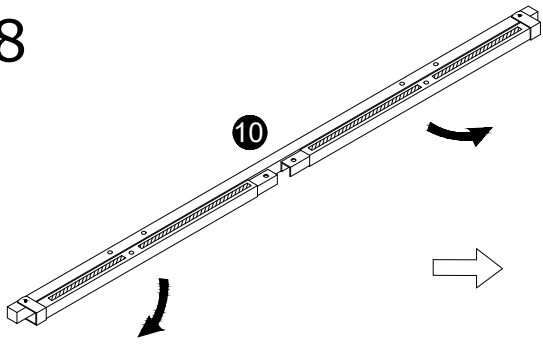
6



7

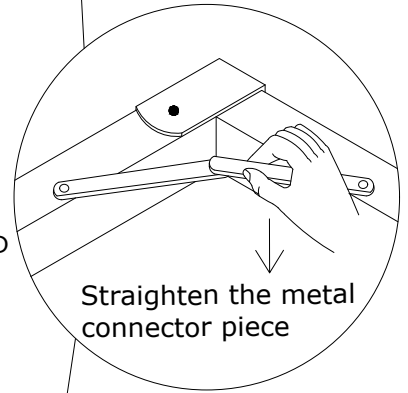


8

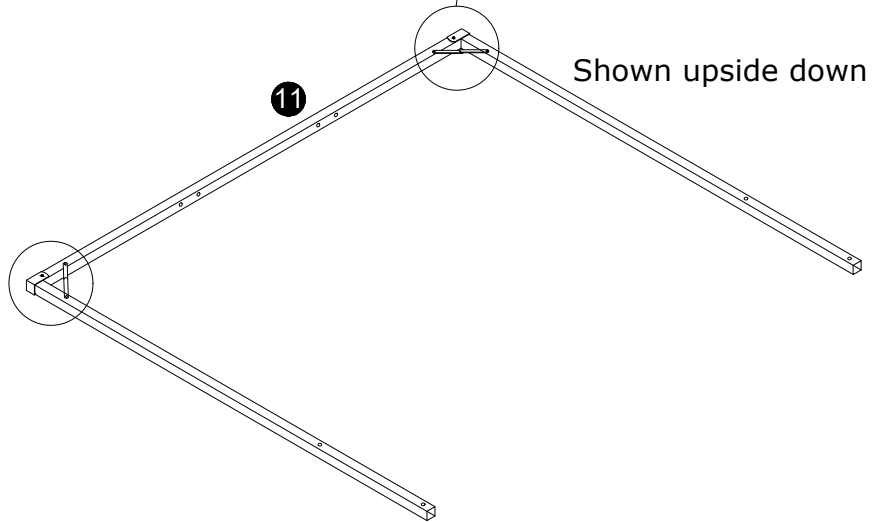
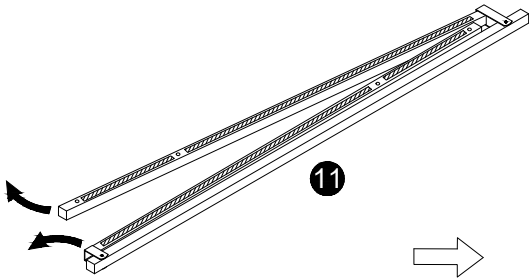


Shown upside down

BEWARE OF CLAMP HAND

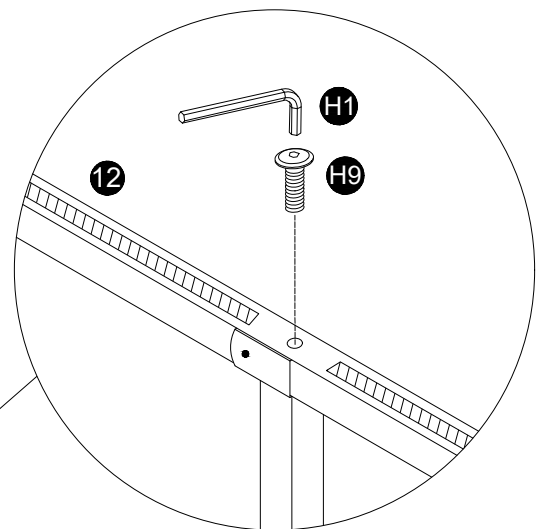
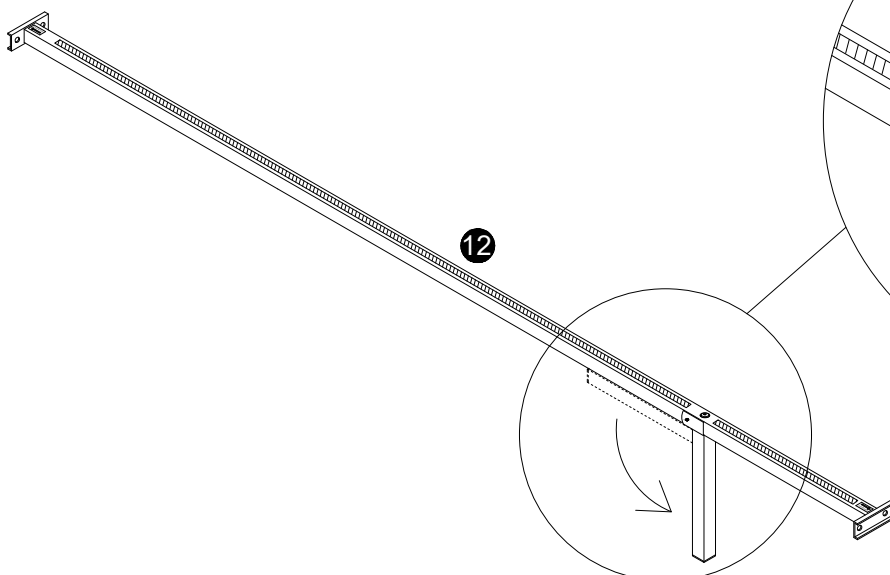


Straighten the metal connector piece



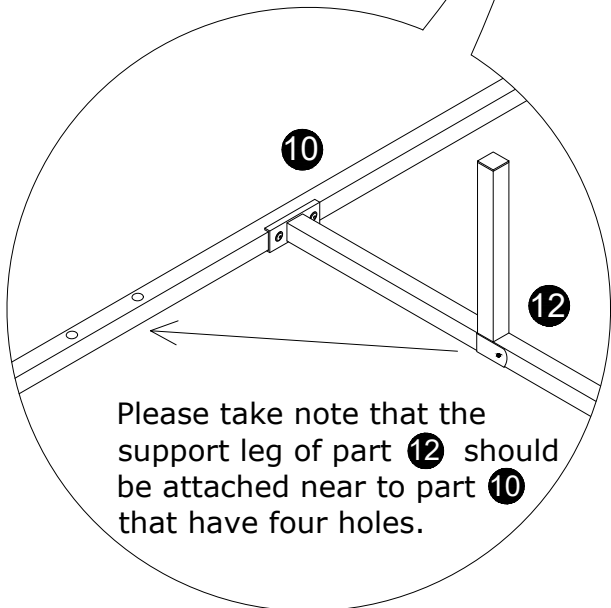
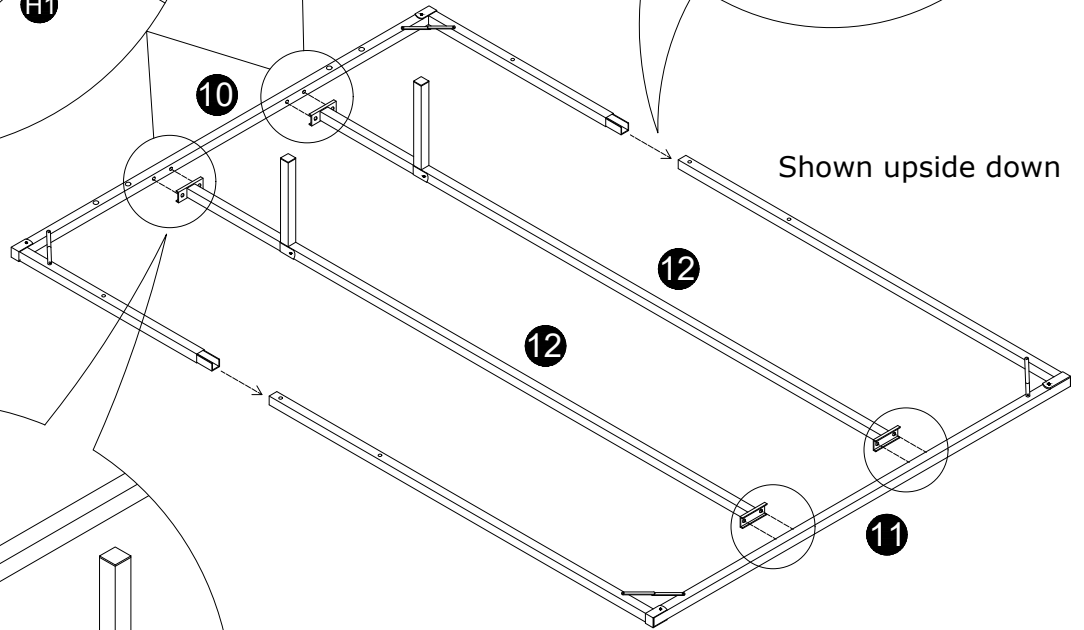
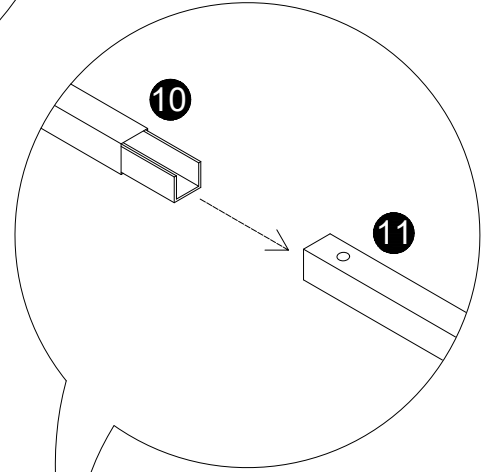
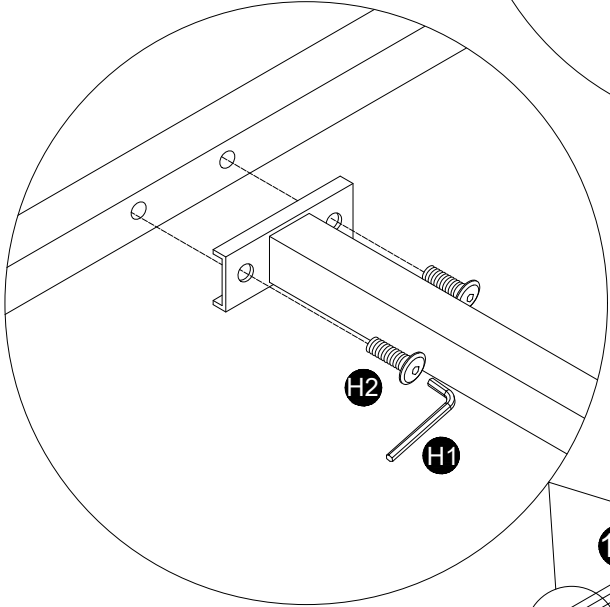
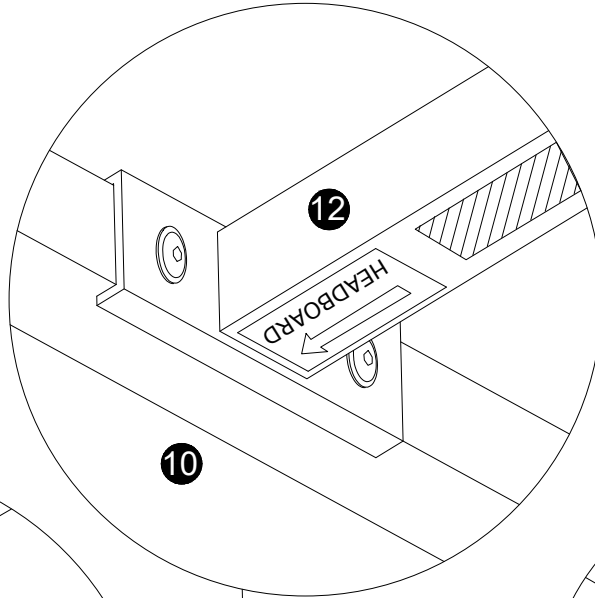
Shown upside down

9



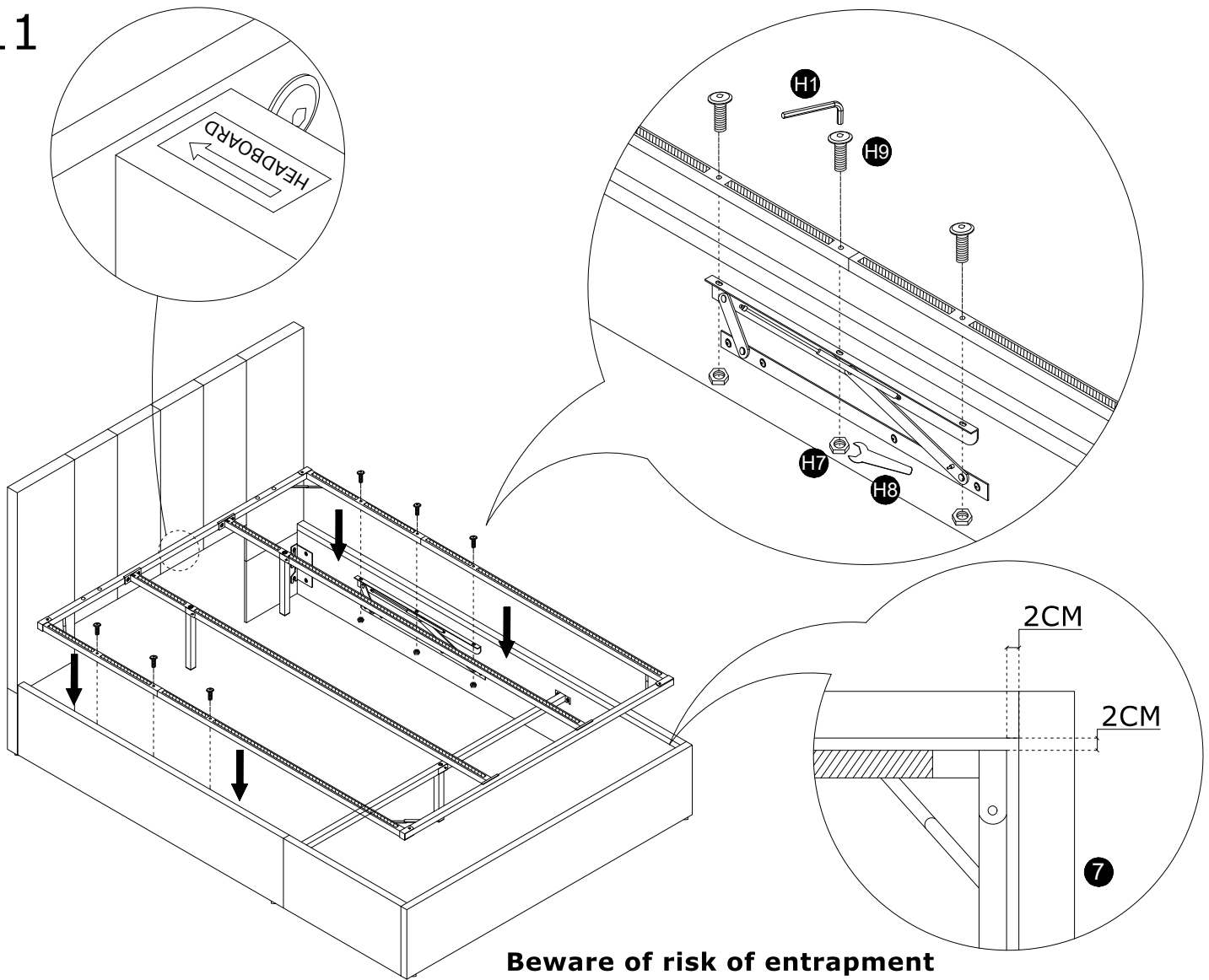
x2

10



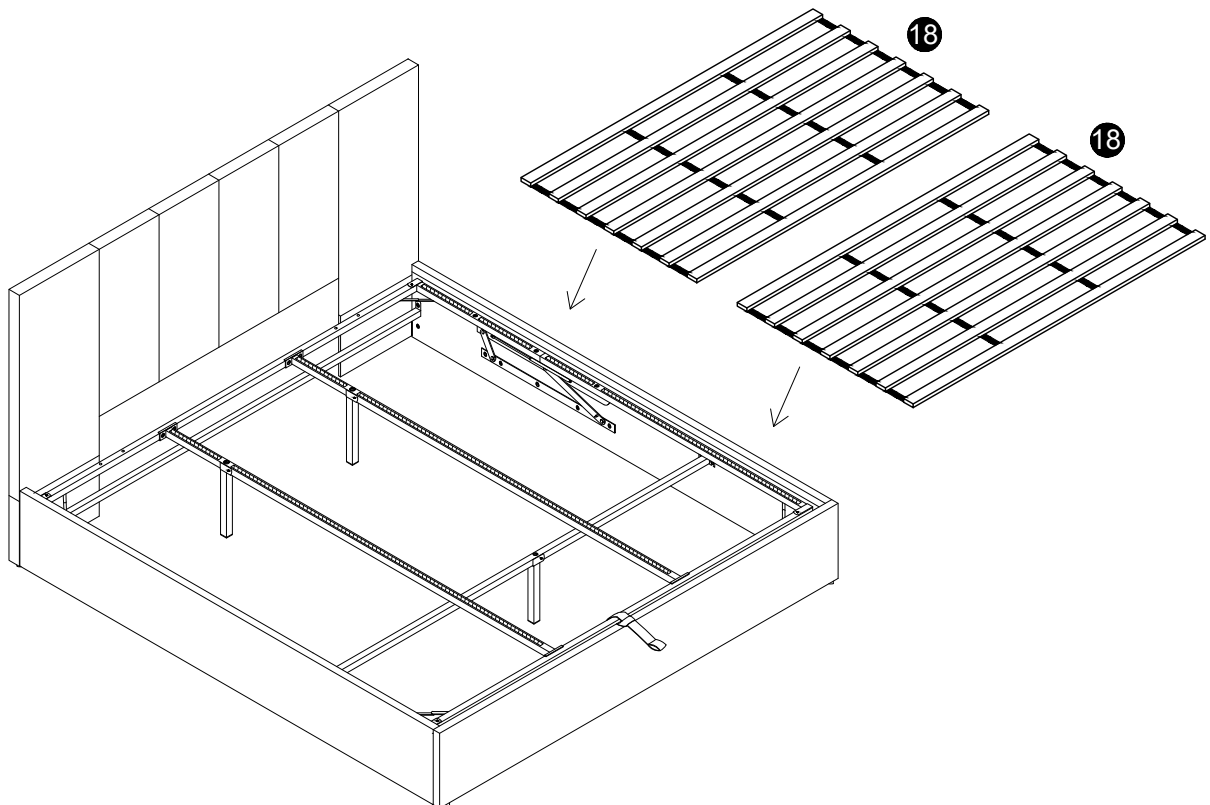
Please take note that the support leg of part 12 should be attached near to part 10 that have four holes.

11

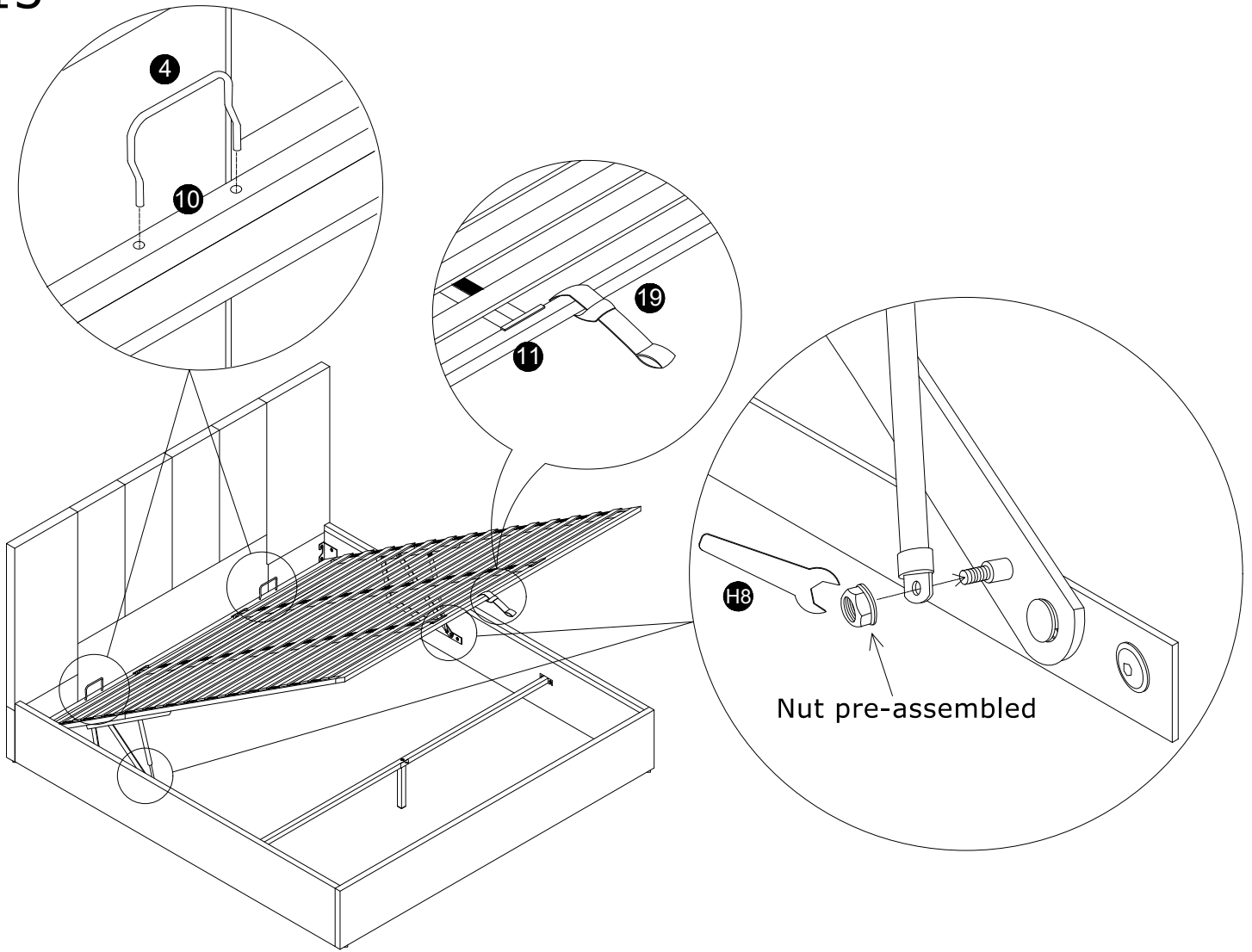


**Beware of risk of entrapment  
from folding hinges!**

12

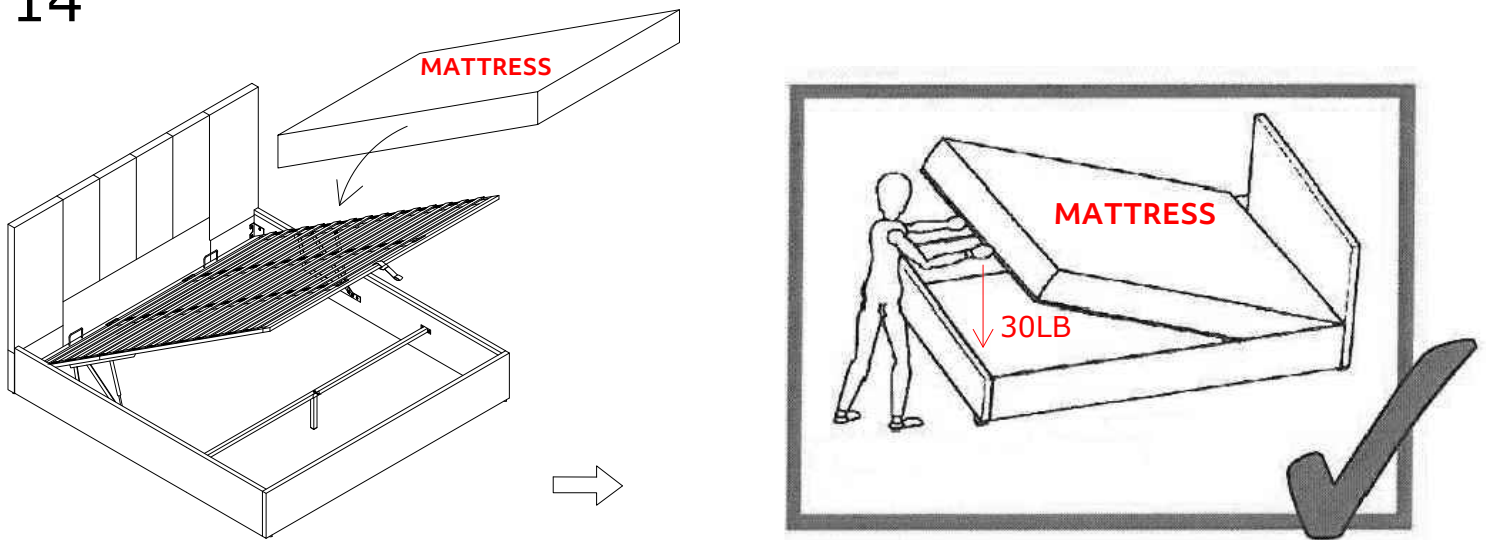


13



**Important:** Two people required.  
Frame to be fully supported at all times!

14



 Place the mattress on frame & Carefully lower the frame down.  
Keep objects/body part & children away from moving parts.