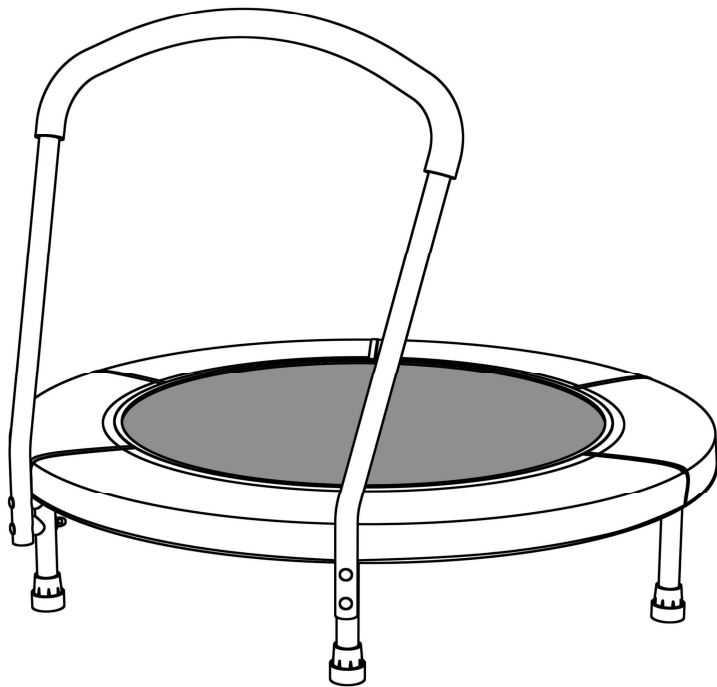
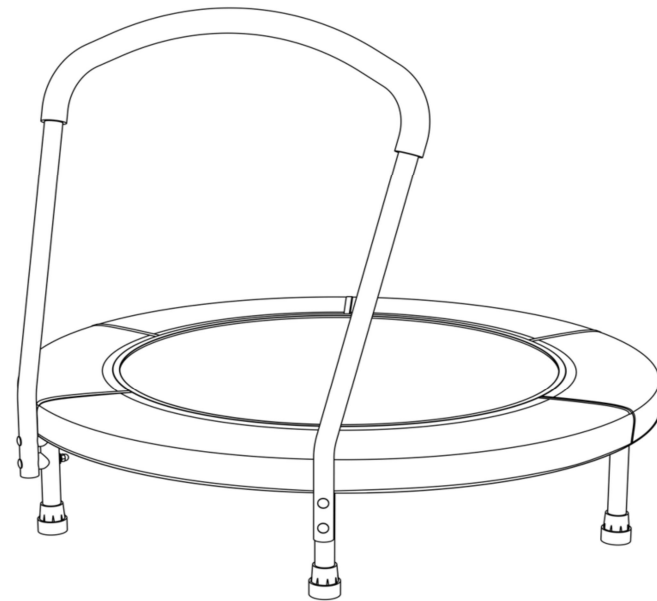


TRAMPOLINE WITH HANDLE

U S E R M A N U A L



Mini Trampoline with Handle



Owner's Manual:



WARNING: ADULT ASSEMBLY Required.

Maximum weight on this trampoline should not exceed 150lbs or 70 kgs
This Trampoline is made for children only. Read all instructions before using the trampoline. Warnings and instructions for the care, maintenance and use of the trampoline are included to promote safe enjoyable use of this equipment.

This Trampoline is suitable for children 1 year old plus.
Adult supervision required at all times.

A Child on the trampoline should never be left unattended while on the trampoline, we recommend full time supervision of the child while on the trampoline at all times.

IMPORTANT STATEMENT TO UNDERSTAND

We ask that you please read and totally understand the assembly and operation of this trampoline, before final assembly or beginning use of the trampoline. You will find important information enclosed related to this product for safety care and use we would like you to take the time to understand everything about this product. Please feel free to call upon us if you have any questions or concerns related to any aspects of this product we will be happy to assist you in making this assembly and purchase as smooth as possible.

ESSENTIAL INFORMATION

1. Misuse and abuse of this trampoline is dangerous and can cause injuries
2. All purchasers or persons assembling this trampoline must become familiar with the manufacturers recommendations for the proper assembly use care of this trampoline. If the assembler has any questions or misunderstanding of the assembly instructions he or she is high recommended to contact our customer service department prior to continuing assembly of the trampoline
3. It is the RESPONSIBILITY of the owner of this trampoline to insure that one child at a time is on the trampoline, and that child is supervised and informed of all warnings and safety instructions.
4. ONLY Adult assembly required for this trampoline.

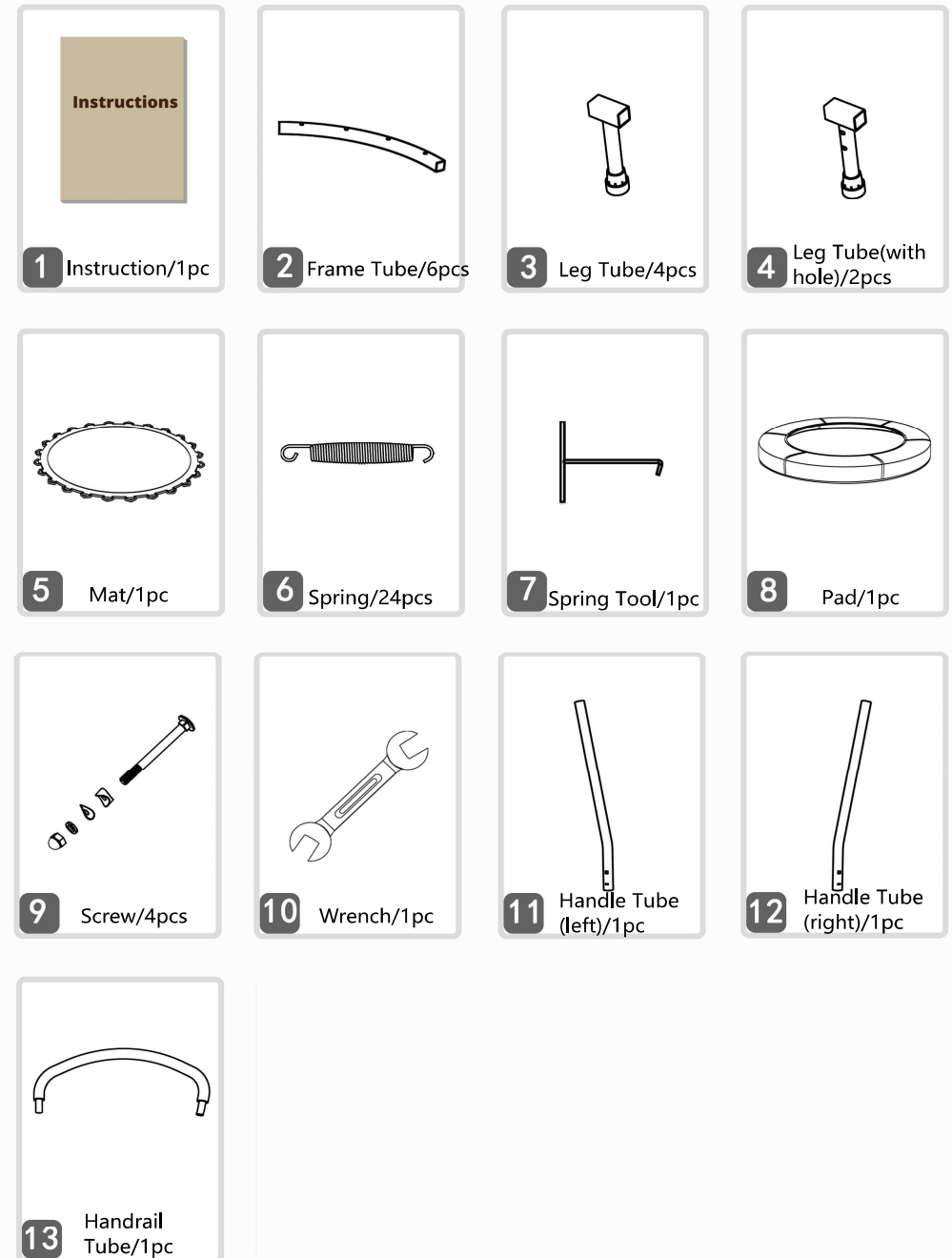
OPERATION USE

Handle must be held at all times when using the trampoline

1. Adequate overhead clearance at all times.
2. Always place the trampoline away from walls, structures, furniture, always maintain a clear space around the trampoline- we recommend at least 6 feet from the frame edge.
3. Always place the trampoline on a LEVEL SURFACE
4. Remove any obstructions from beneath the trampoline
5. Do not allow more than one child over the age of 3 on the trampoline at a time.
6. The Child should wear no obstructions while on the trampoline- (jewelry necklaces, earrings, any obstructions that can prevent free movement.
7. Never JUMP OFF the trampoline the child should always be instructed to step on and off the trampoline.
8. Never attempt any other functions or gymnastic functions or rough play on the trampoline this trampoline is design for young children ONLY. The only function on this trampoline should be a controlled bounce (exercise), for young children. No other functions should occur other then controlled bounce.
9. Use only in a well lit area.

CARE & MAINTENANCE

1. Always inspect the trampoline before each use and replace any worn defective, or missing parts.
2. Always check to make sure all screws are secure on the frame.
3. Periodically check stitching or fabric of the bed or frame padding for any deterioration.
4. For indoor & outdoor use- DO NOT leave outdoors when not in use.



INSTRUCTION

Step 1

Insert the Leg Tube(#3) into the Frame Tube(#2).

Tip:push the frame inward as far as possible to prevent the tube from falling off.



2



3

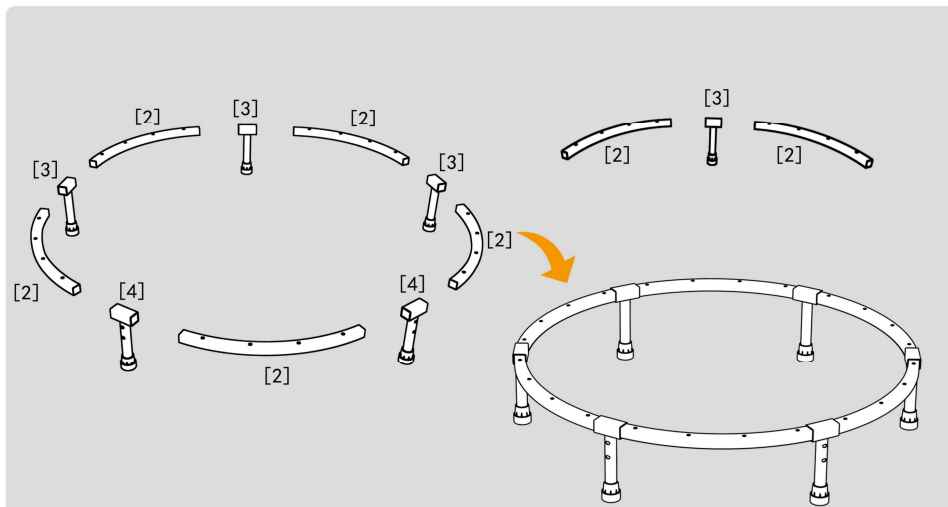


4

Step2

Insert the Leg Tube(#4) into the Frame Tube (#2) to form a circle as shown in the figure below.

Please note that! !
Two Leg Tubes(#4) need to be adjacent when assembling it.

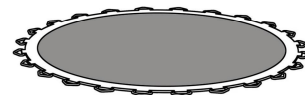


4

Step 3

Install the Springs(#6) in the X-shape order one by one to make sure the tension is distributed evenly for the Mat(#5) and pull it with Spring tool(#7).As shown in Fig.

(Tip: Please take care not to pinch your hands and other body parts during spring assembly.)



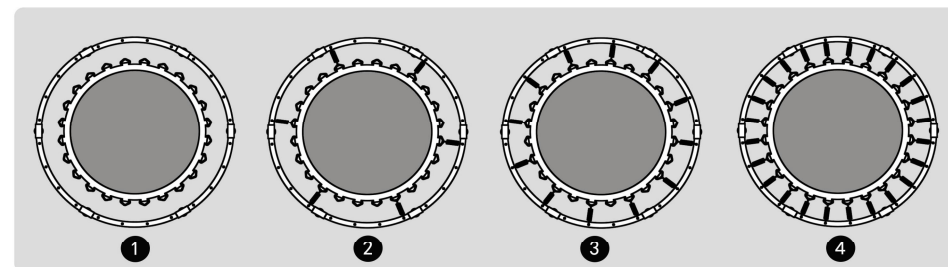
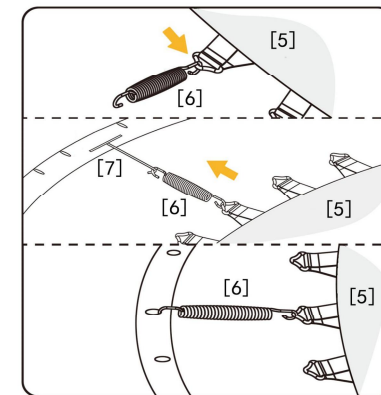
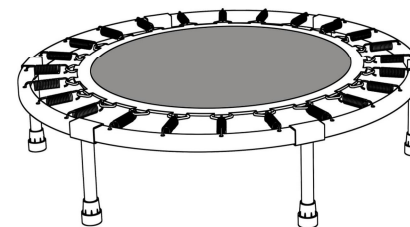
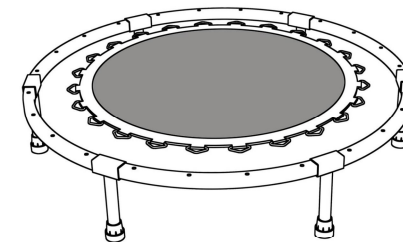
5



6



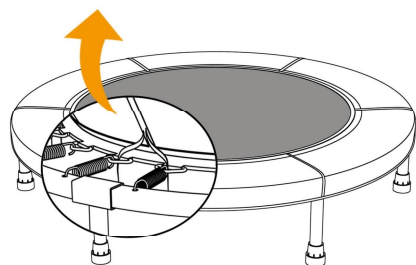
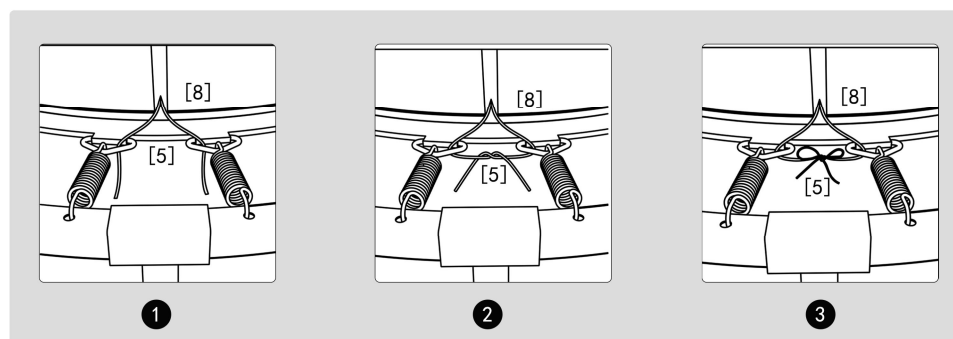
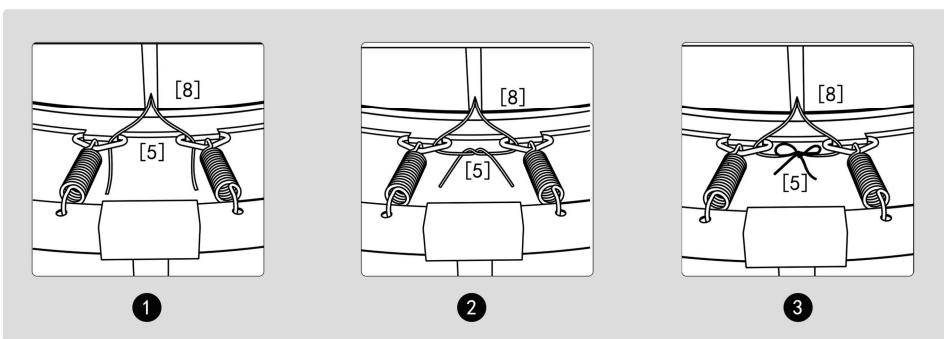
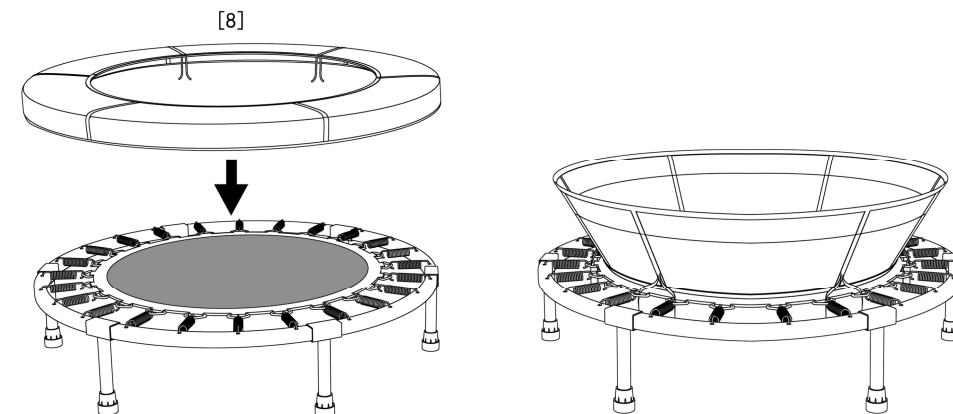
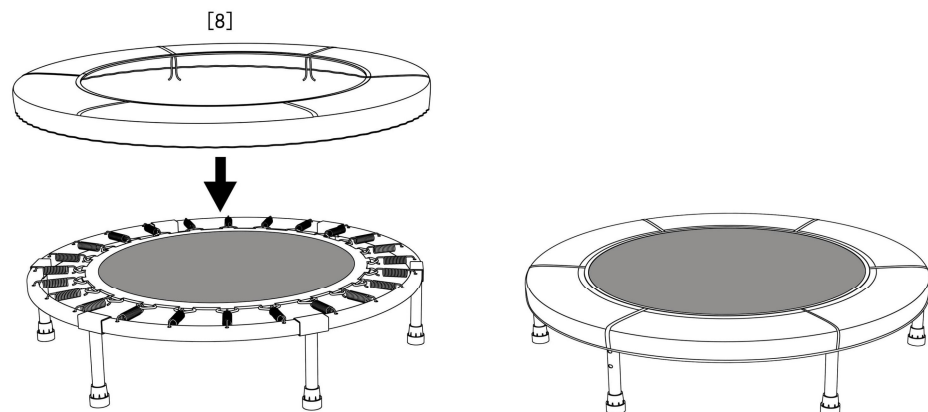
7



5

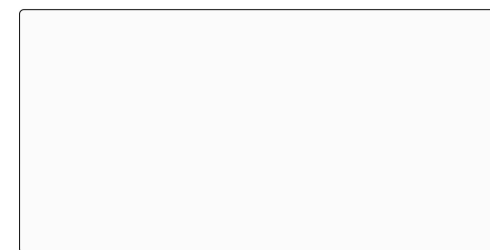
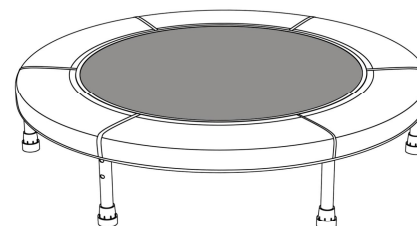
Step 4

Please lay the Pad (#8) over the springs. Align the sewing line on the cover with the leg tube.
(tip: The strap is on the inside and the elastic band is close to the outside of the frame tube)



Step 5

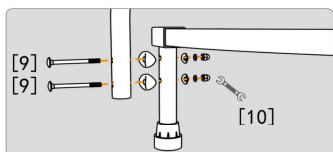
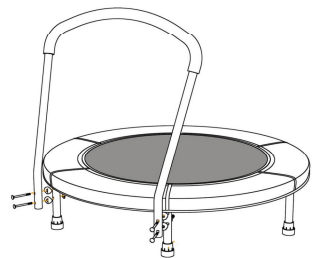
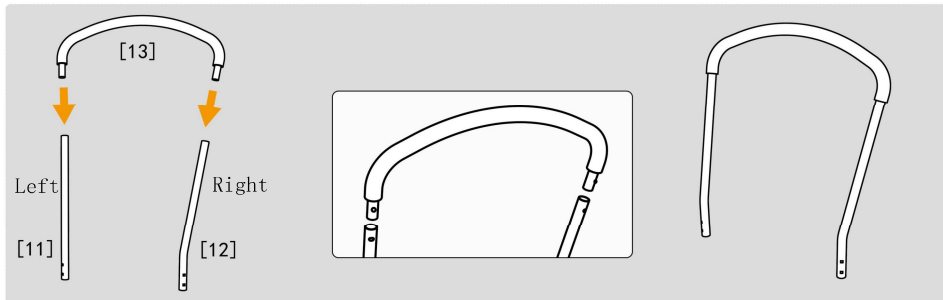
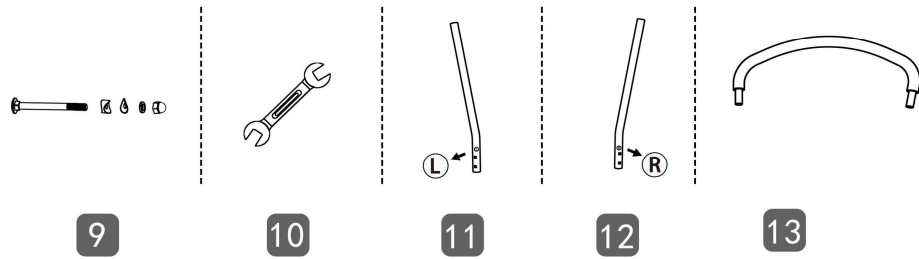
Tie the strap located at the triangular ring of the mat. As shown in fig. (Try to evenly distribute the distance between the straps)
Turn down the outer cover and fit it tightly on the frame tube.



Step 6

Insert the Handrail Tube(#13) into the Handle Tube(#11) and Handle Tube(#12).
Tip:the metal marble of the handrail tube is embedded in the two holes of the handle tube.

Then fix the handle tube on the Leg Tube(#4) with screw(#9).



LIMITED WARRANTY

Ours trampoline products to be free from defects in material and workmanship under normal use and service conditions. The steel frame is warranted for one (1) year after the date of purchase. All other parts are warranted for six (6) months after the date of purchase.

All warranty coverage extends only to the original retail purchaser from the date of purchase.. This Warranty does not extend to any product or damage to a product caused by or attributable to freight damage, abuse, misuse, improper or abnormal usage, or to products used for commercial or rental purpose.

In addition, in order to meet the possible demand, our accessories can also be obtained for a fee. The fee will include the value of accessories and the delivery fee.
You can contact us through the following email address: After-Sales-Service-Desk@outlook.com