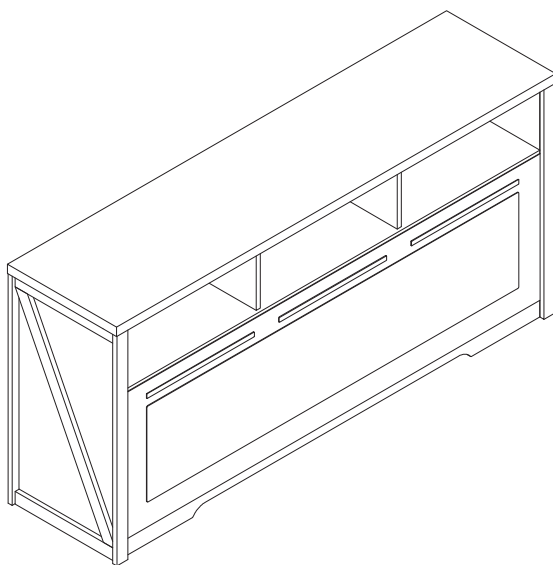



65-TVSTAND-60Z-BLK/LGRE/WHT

SKU: 65-TVSTAND-60Z-BLK/LGRE/WHT

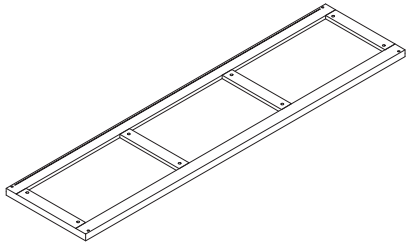
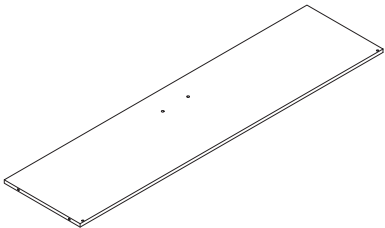
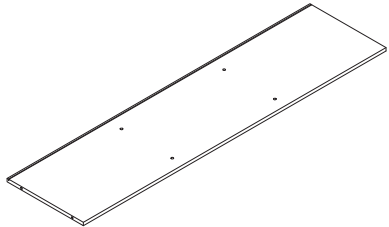
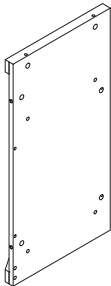




Missing parts, damages, and any problems in the installation process, please contact us by text or email. Please choose SMS or email as your first choice for communicating with us.




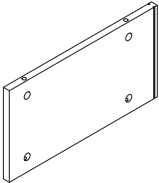
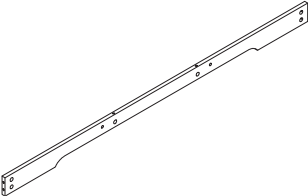
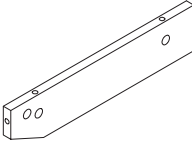
 +1(503)928-7812

 hellovitesse@gmail.com



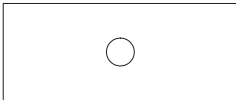
Parts list

<p>①</p>  <p>1PC</p>	<p>②</p>  <p>1PC</p>
<p>③</p>  <p>1PC</p>	<p>④</p>  <p>1PC</p>
<p>⑤</p>  <p>1PC</p>	<p>⑥</p>  <p>1PC</p>

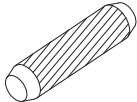

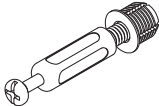
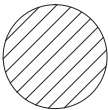
Parts list

<p>⑦</p>  <p>1PC</p>	<p>⑧</p>  <p>1PC</p>
<p>⑨</p>  <p>1PC</p>	<p>⑩</p>  <p>2PCS</p>
<p>⑪</p>  <p>1PC</p>	<p>⑫</p>  <p>2PCS</p>

Parts list

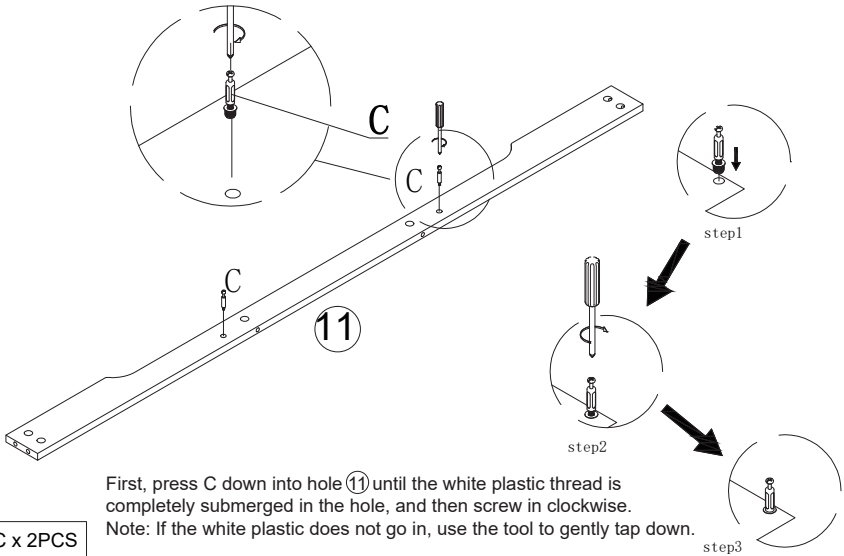
<p>13</p>  <p>1PC</p>	<p>14</p>  <p>2PCS</p>
<p>15</p>  <p>3PCS</p>	

Parts list

<p>A</p>  <p>$\phi 8*30\text{mm}$ 12PCS</p>	<p>B</p>  <p>$\phi 15*12\text{mm}$ 44+2PCS</p>
<p>C</p>  <p>$\phi 6*43\text{mm}$ 44+2PCS</p>	<p>D</p>  <p>14PCS</p>

Installation steps

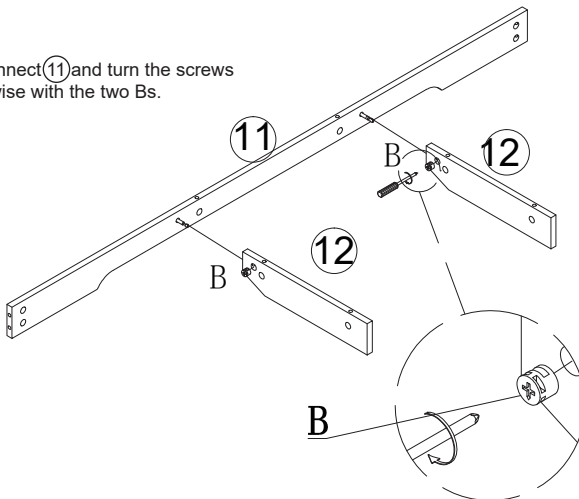
1.



C x 2PCS

2.

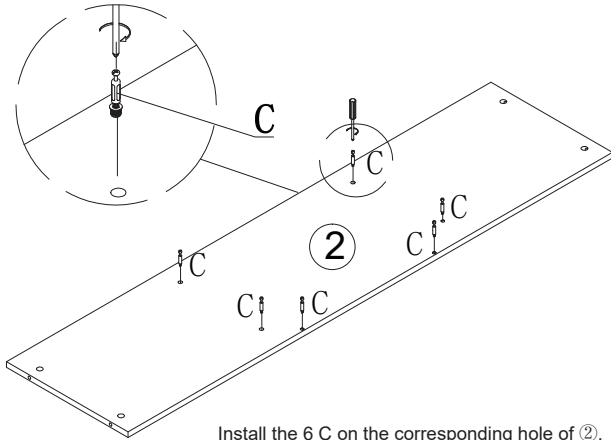
⑫ Connect ⑪ and turn the screws clockwise with the two Bs.



B x 2PCS

Installation steps

3.

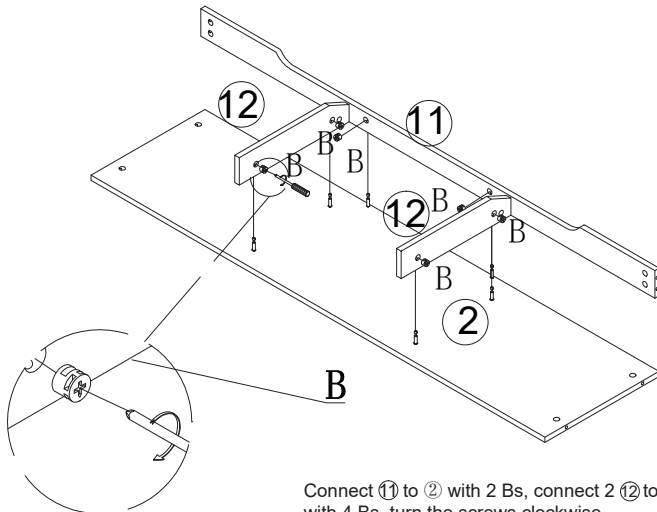


Install the 6 C on the corresponding hole of ②, pay attention to the side with many holes.



C x 6PCS

4.



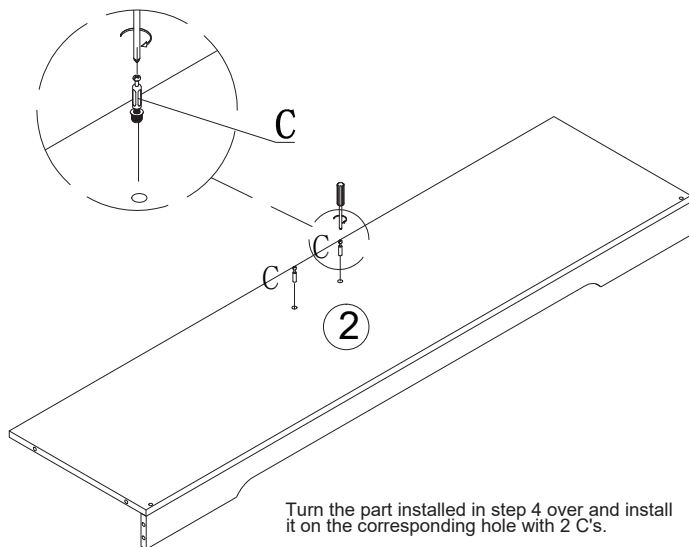
Connect ①① to ② with 2 Bs, connect 2 ①② to ② with 4 Bs, turn the screws clockwise.



B x 6PCS

Installation steps

5.



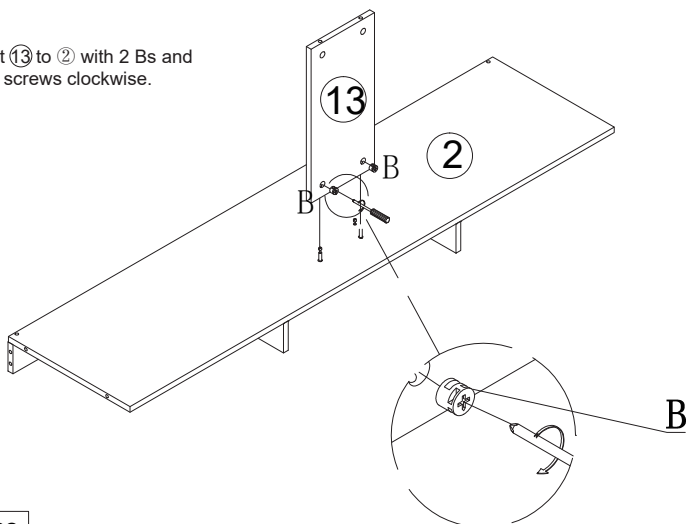
Turn the part installed in step 4 over and install it on the corresponding hole with 2 C's.



C x 2PCS

6.

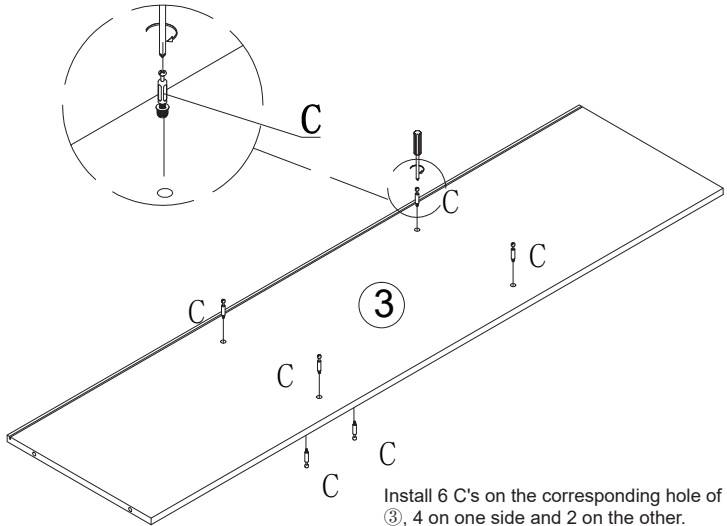
Connect 13 to 2 with 2 Bs and turn the screws clockwise.



B x 2PCS

Installation steps

7.



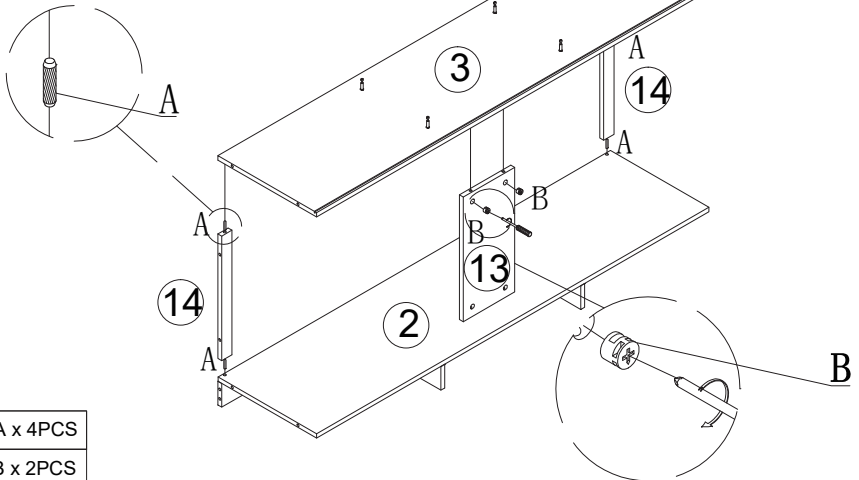
Install 6 C's on the corresponding hole of ③, 4 on one side and 2 on the other.



C x 6PCS

8.

Connect 2 ⑭ to ② with 2 A's, then connect 2 ⑭ to ③ with 2 A's, and connect ⑬ to ③ with 2 B's.



A x 4PCS

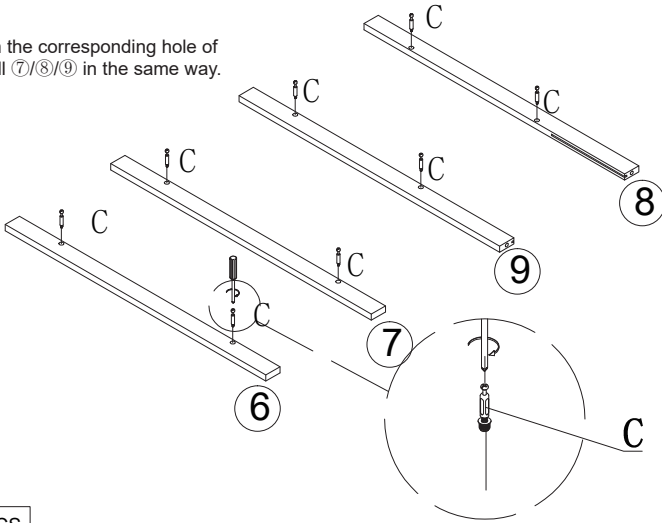


B x 2PCS

Installation steps

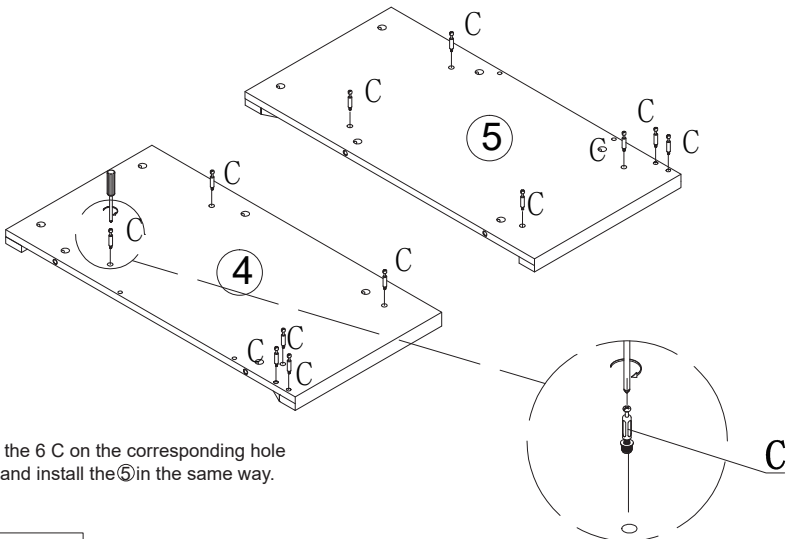
9.

Install 2 C on the corresponding hole of ⑥, and install ⑦/⑧/⑨ in the same way.



C x 8PCS

10.



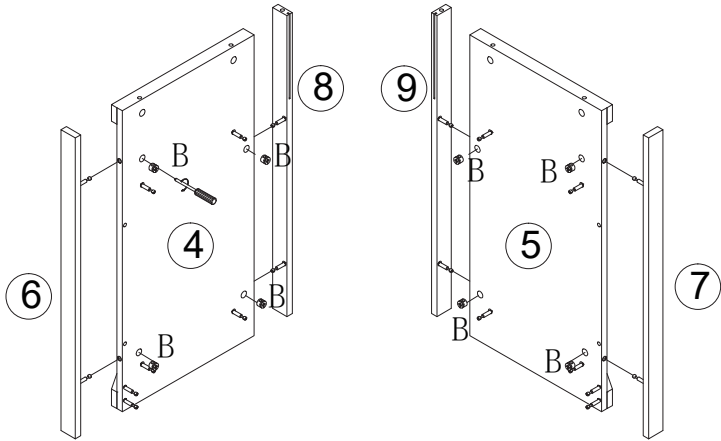
Install the 6 C on the corresponding hole of ④, and install the ⑤ in the same way.



C x 12PCS

Installation steps

11.

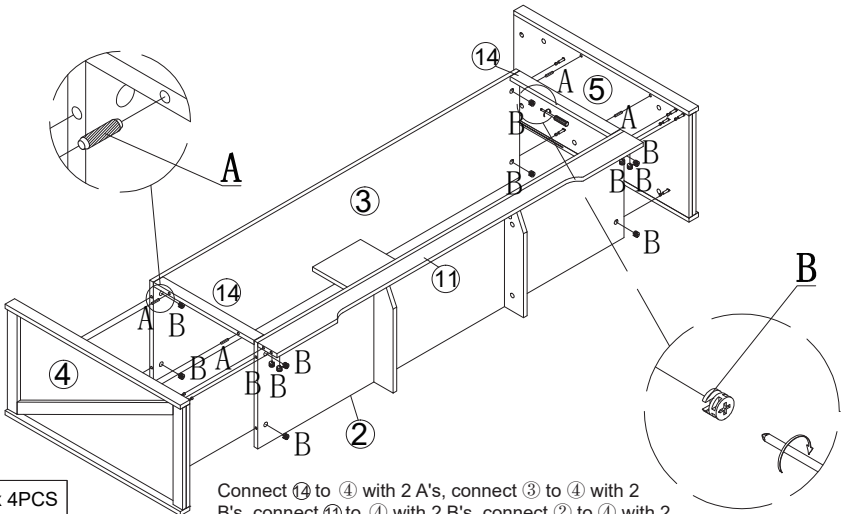


Connect ④ to ⑥ with 2 B, connect ④ to ⑧ with 2 B, and connect ⑤ to ⑦/⑨ in the same way.



B x 8PCS

12.



Connect ⑭ to ④ with 2 A's, connect ③ to ④ with 2 B's, connect ⑪ to ④ with 2 B's, connect ② to ④ with 2 B's, and connect ⑤ to ⑭/③/⑪/② in the same way.



A x 4PCS

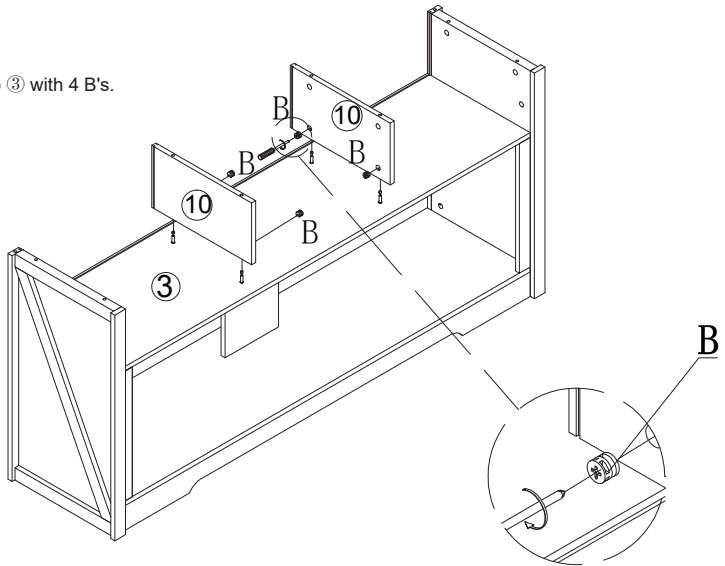


B x 12PCS

Installation steps

13.

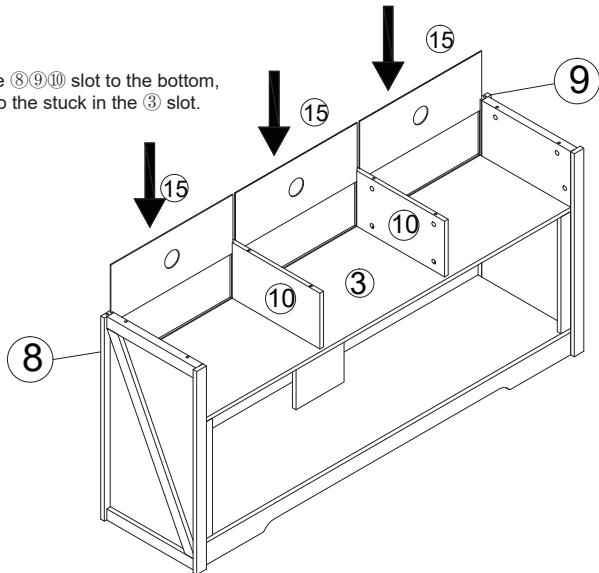
Connect 2 ⑩ to ③ with 4 B's.



B x 4PCS

14.

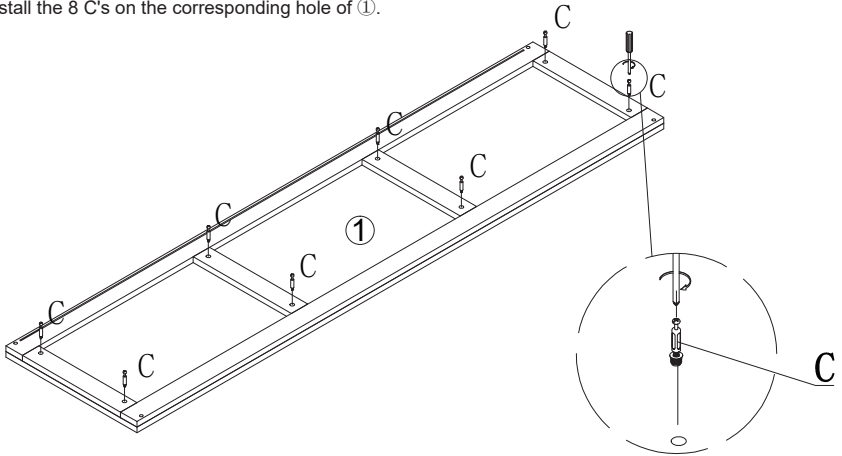
Push ⑮ along the ⑧⑨⑩ slot to the bottom, paying attention to the stuck in the ③ slot.



Installation steps

15.

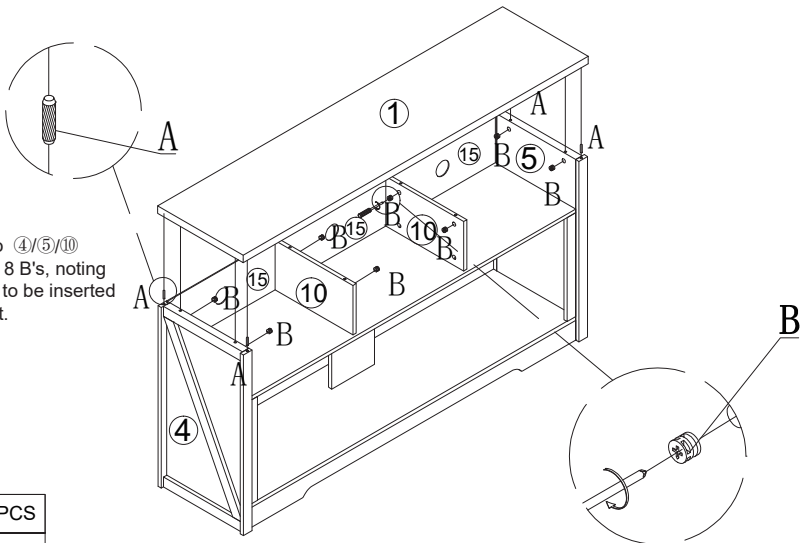
Install the 8 C's on the corresponding hole of ①.



C x 8PCS

16.

Connect ① to ④/⑤/⑩ with 4 A's and 8 B's, noting that ⑮ needs to be inserted into the ① slot.



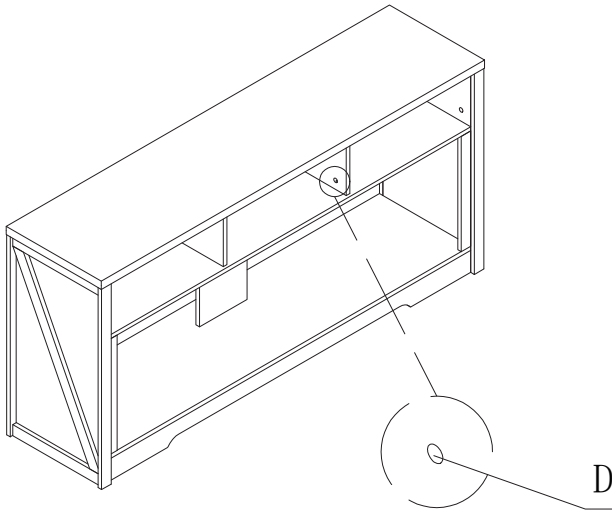
A x 4PCS



B x 8PCS

Installation steps

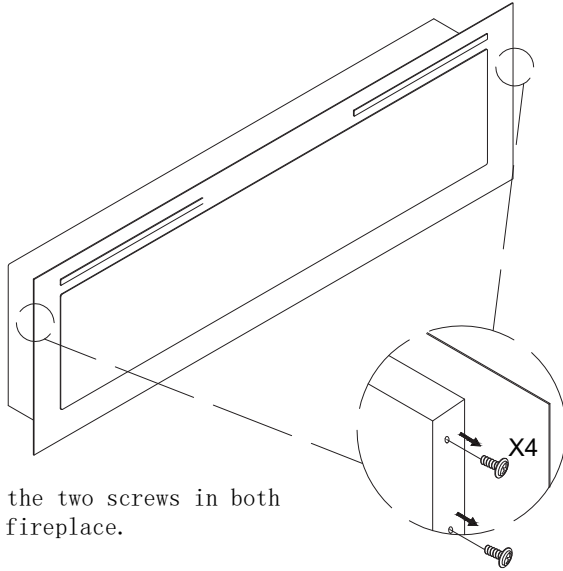
17.



D

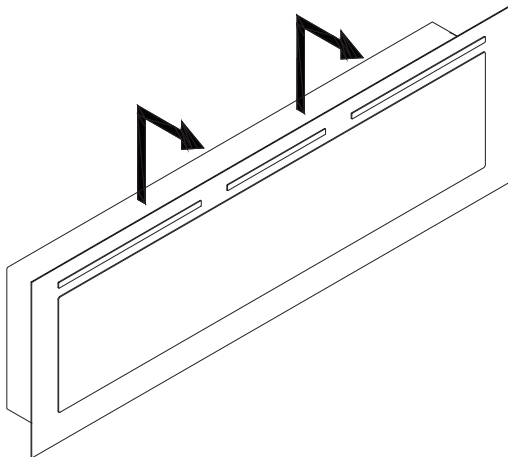
Installation steps

18.



Take off the two screws in both sides of fireplace.

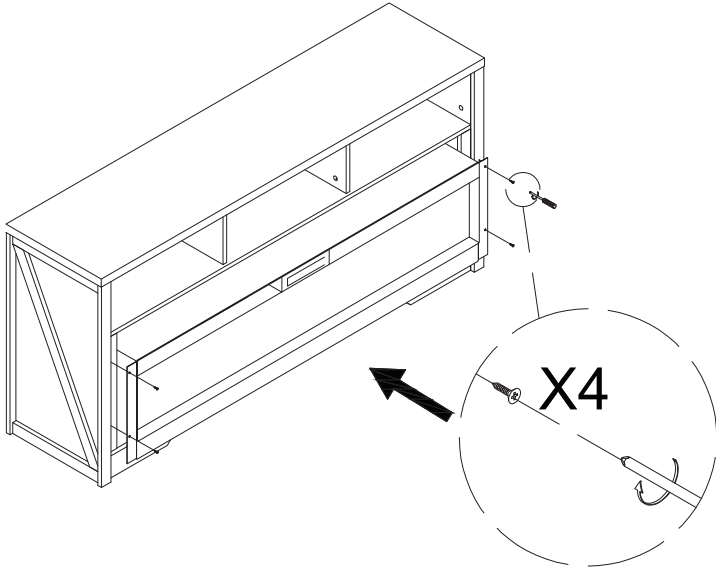
19.



Have two person to take the glass panel out of the fireplace box. Place it to a soft and clean place. Taks two pcs of foam out of fireplace.

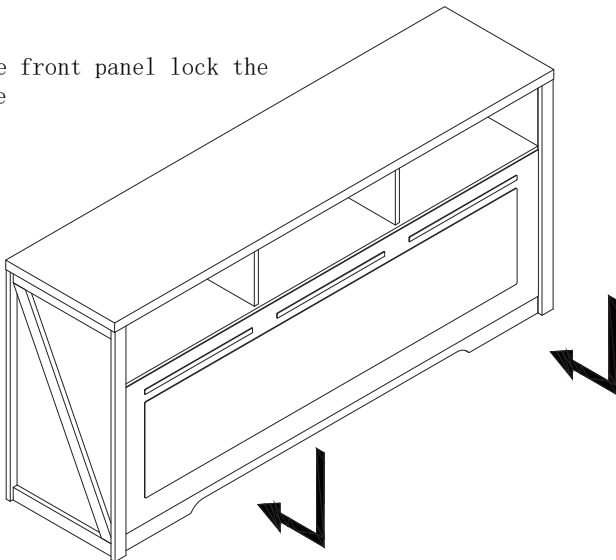
Installation steps

20.

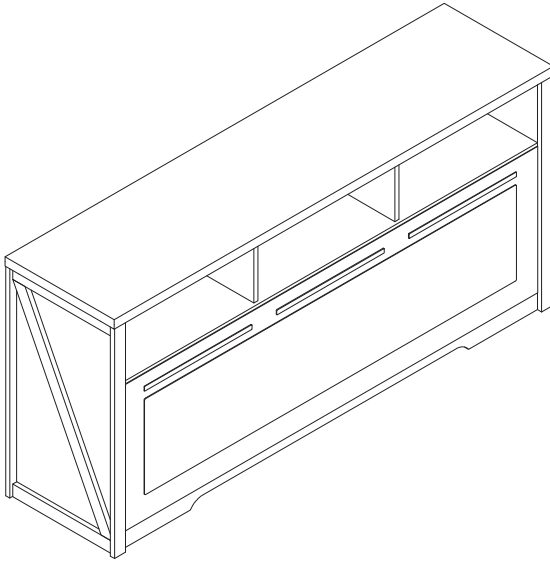


21.

Place the front panel lock the appliance



Installation steps



+1(503)928-7812
hellovitesse@gmail.com

Instagram: vitessegaming
YouTube : vitessegaming

Please feel free to **send us the text or email**. We will reply to you within 24 hours. Also please feel free to contact us if you have received the defective items. Due to time zone differences, please use email as your first choice to communicate with us.

Follow our YouTube Channel then you will be able to find our **assembling video** as a pinned video.