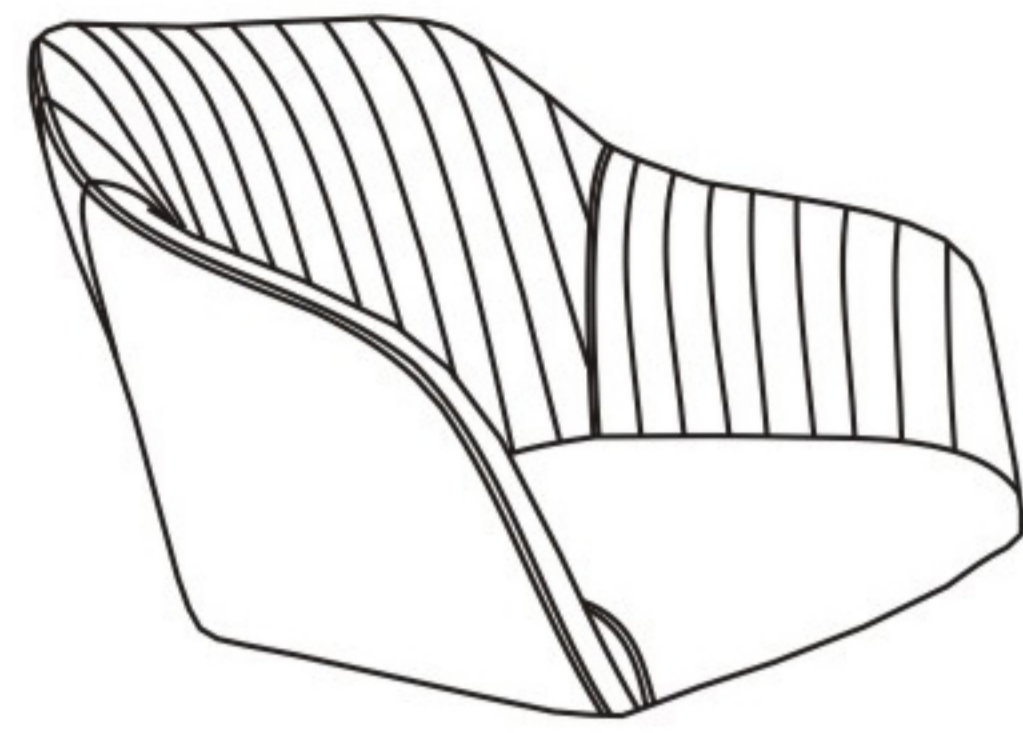
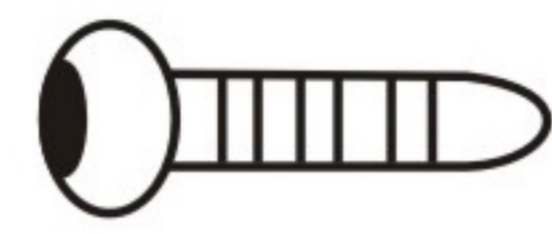


ASSEMBLING INSTRUCTION

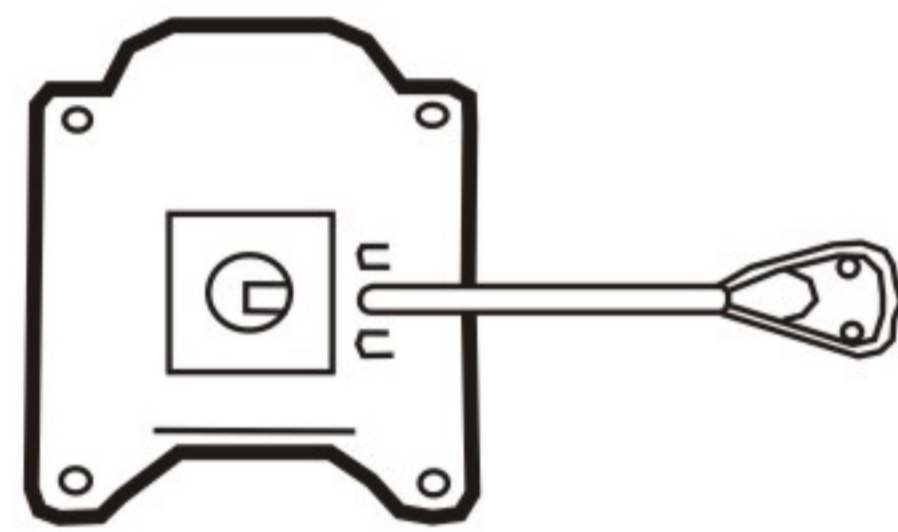
(1) X1



(6) X4



(2) X1



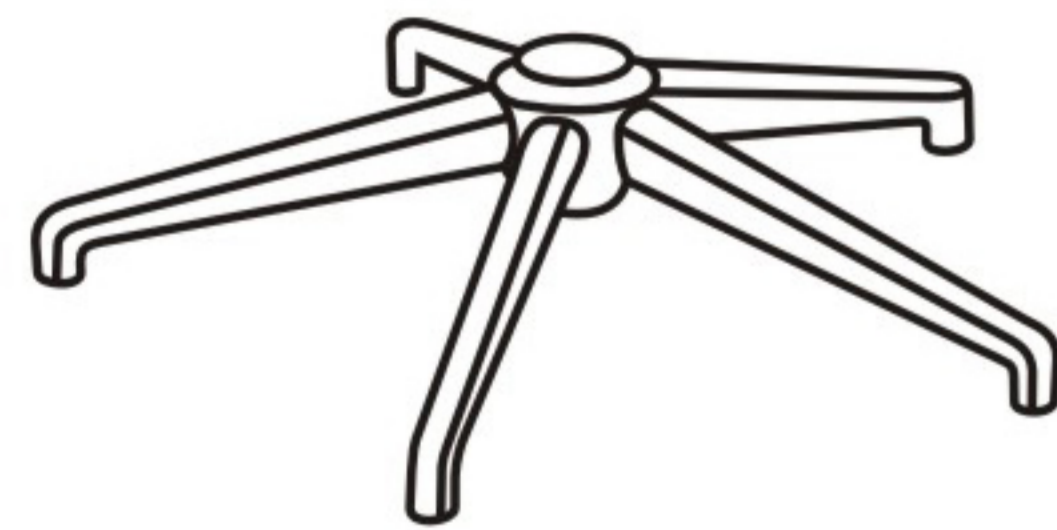
(7) X1



(3) X1



(4) X1

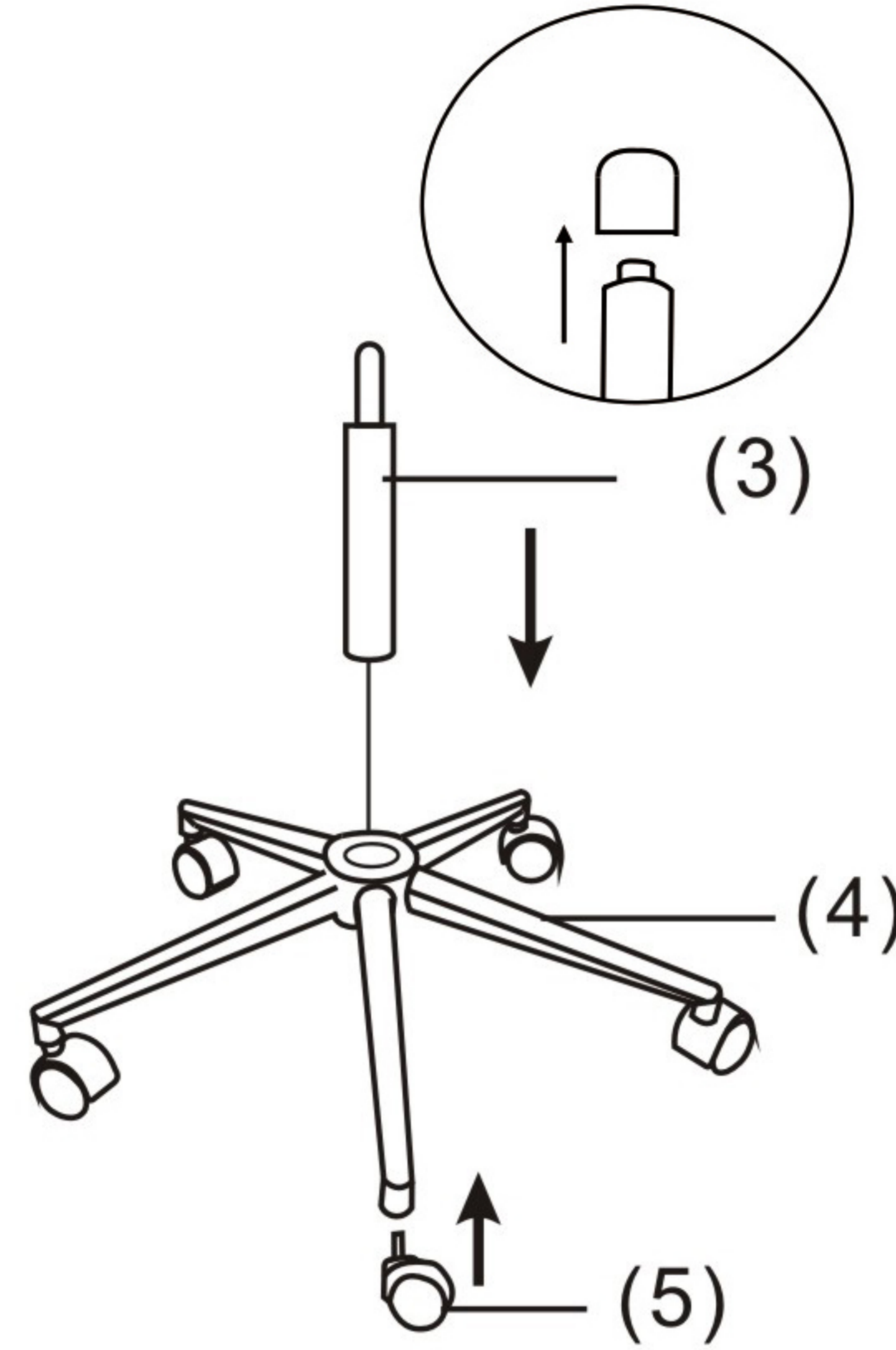


(5) X5

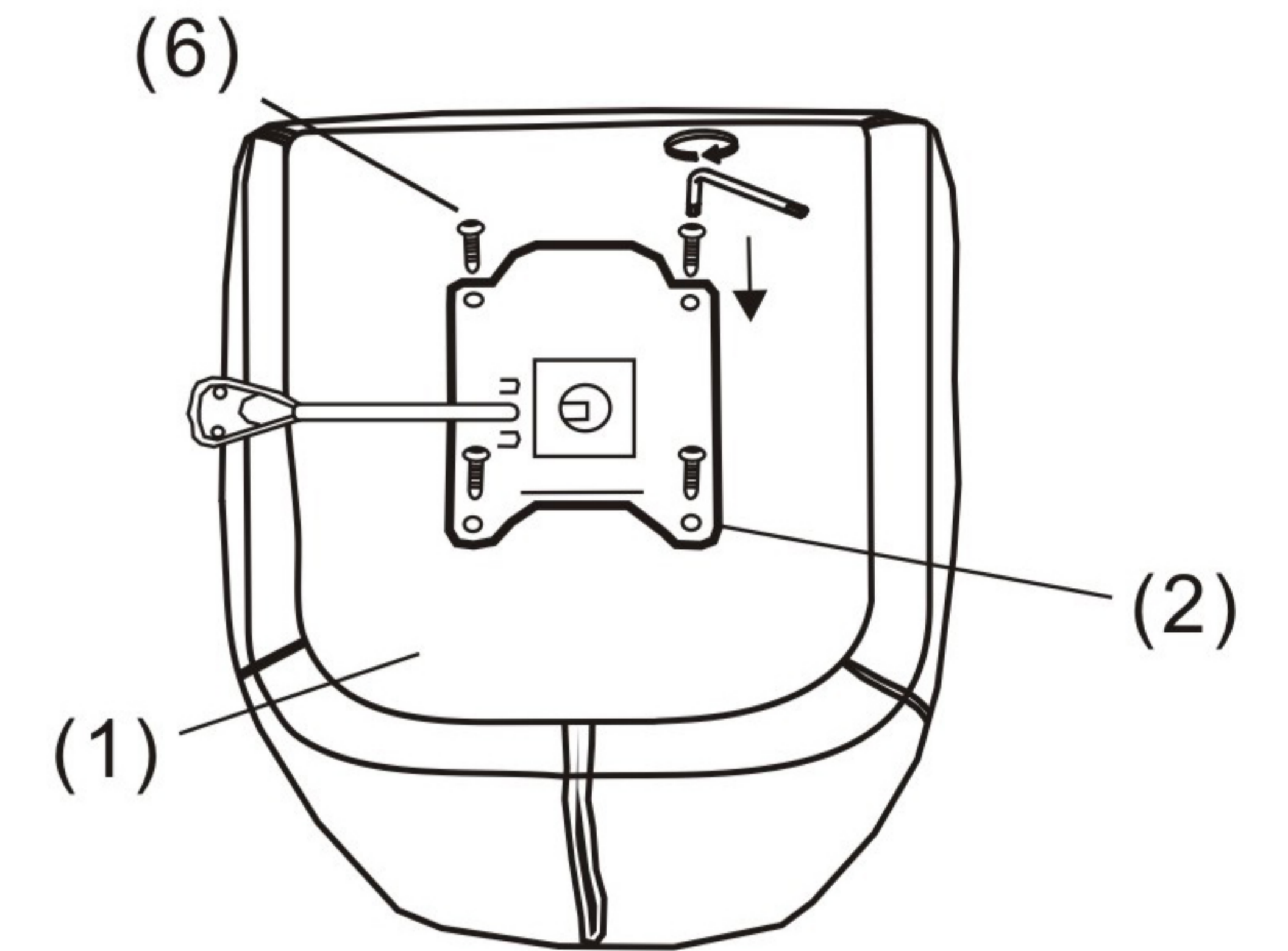


1

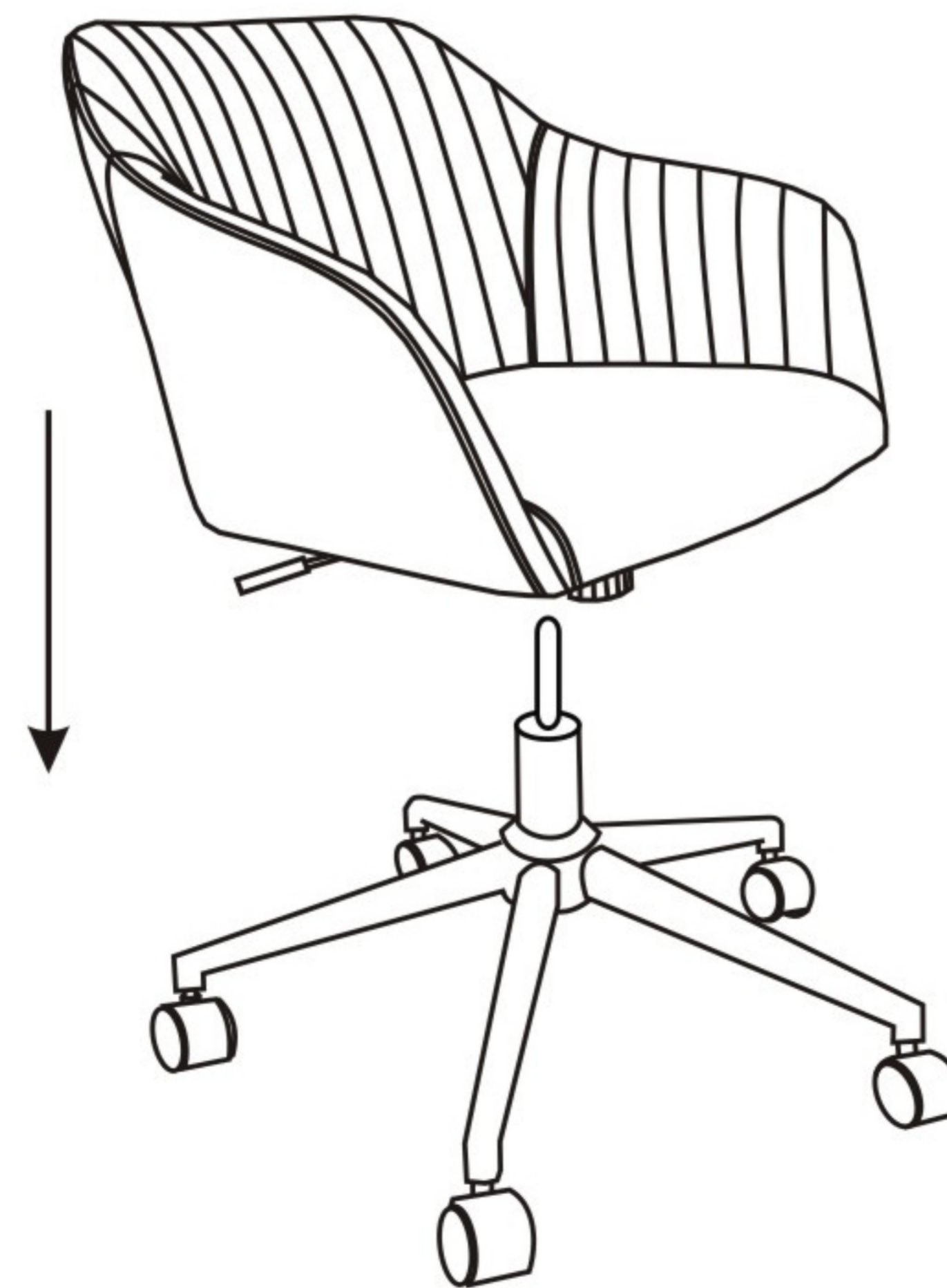
Remove cap
from tip of gas lift.



2



3



4

