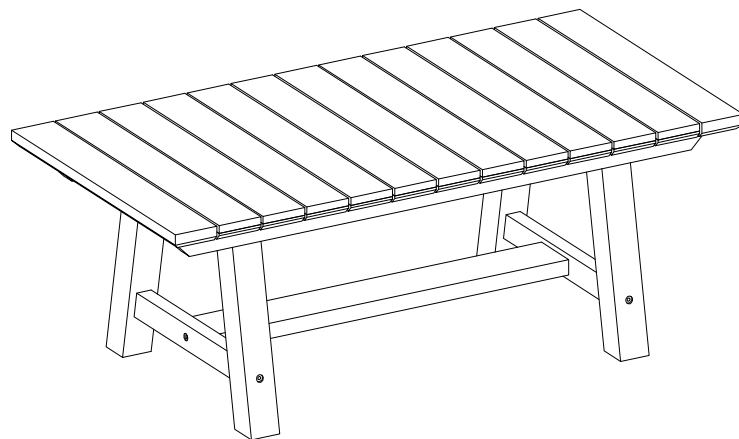


# Instruction Manual

Shiro 120cm Rectangular Coffee Table, Brushed Light Acacia

[www.laura-james.co.uk](http://www.laura-james.co.uk)

1700854.11



# CONTENTS

---

Safety and care advice	<b>1</b>
Components	<b>2</b>
Assembly instructions	<b>4</b>
Copyright	<b>8</b>

## ⚠ SAFETY AND CARE ADVICE ⚠

---

### PLEASE READ THESE INSTRUCTIONS CAREFULLY AND KEEP FOR FUTURE REFERENCE

- **Warning:** Please lift with care.
- Check you have all the components and tools listed on pages 2 and 3.
- Remove all fittings from the plastic bags and separate them into their groups.
- Keep children and animals away from the work area, small parts could choke if swallowed.
- Make sure you have enough space to lay out the parts before starting.
- Do not stand or put weight on the product, this could cause damage.
- Assemble the item as close to its final position (in the same room) as possible.
- Assemble on a soft level surface to avoid damaging the unit or your floor (use opened out unit carton).



- We do not recommend the use of power drill/drivers **for inserting screws**, as this could damage the unit. Only use hand screwdrivers.
- Dispose of all packaging carefully and responsibly.

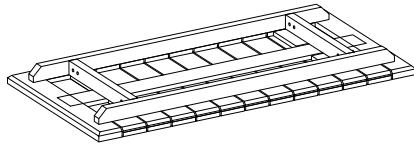
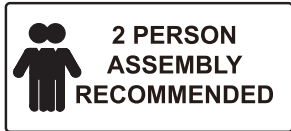
## CARE AND MAINTENANCE

---

- Only clean using a damp cloth and mild detergent, do not use bleach or abrasive cleaners.
  - From time to time check that there are no loose screws on this unit.
  - This product should not be discarded with household waste. Take to your local authority waste disposal center.
- Note** *If required the next page can be cut out and used as reference throughout the assembly. Keep this page with these instructions for future reference.*

# COMPONENTS

Please check you have all the panels listed below:



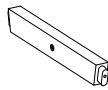
① X1



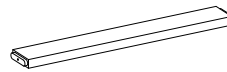
② X2



③ X2



④ X2



⑤ X1

1. Table Top	x 1pc	4. Side Stretcher	x 2pcs
2. Leg 1	x 2pcs	5. Middle Stretcher	x1pc
3. Leg 2	x 2pcs		



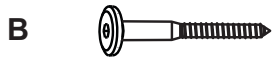
# COMPONENTS

---

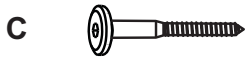
Please check you have all the fittings listed below:



Bolt ( $\Phi 8 \times 55 \text{mm}$ ) x 8 (+2)



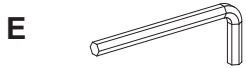
Screw ( $\Phi 7 \times 80 \text{mm}$ ) x 4 (+1)



Screw ( $\Phi 7 \times 60 \text{mm}$ ) x 2 (+1)



Nut ( $\Phi 8 \times 15 \text{mm}$ ) x 8 (+2)



Allen key x 2



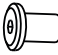



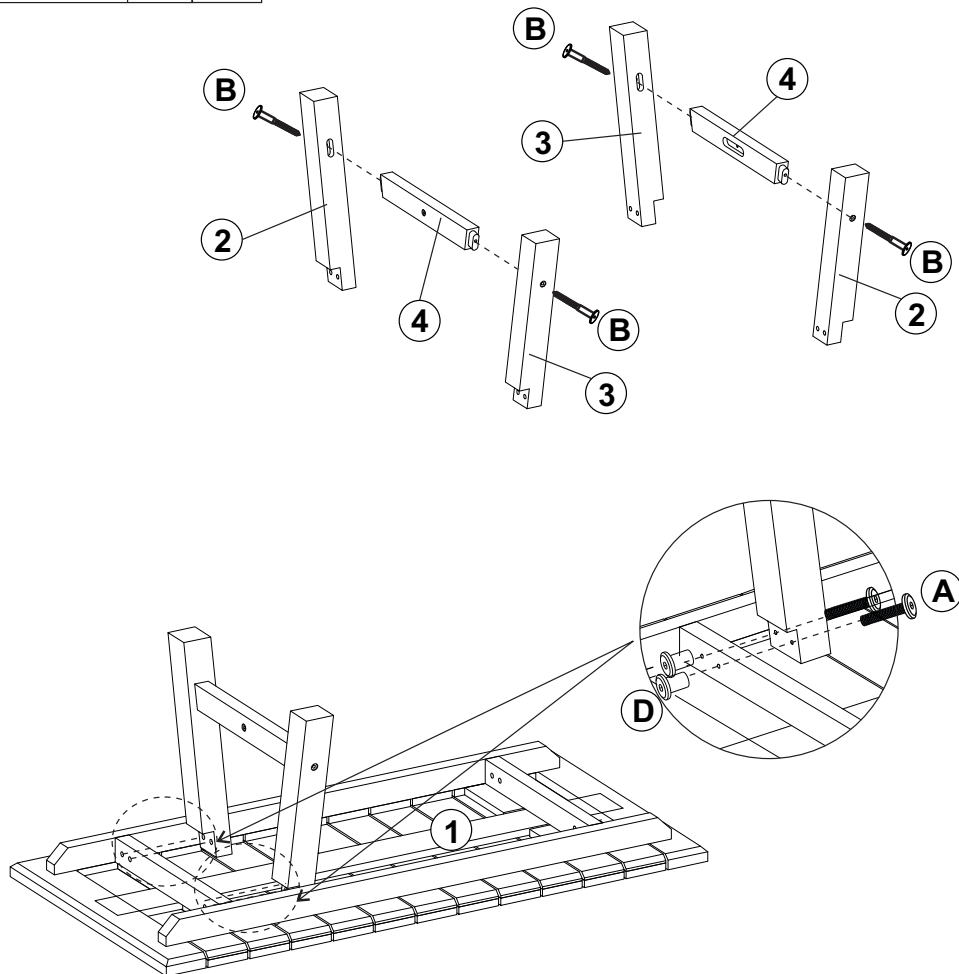
Hole Cover x 6 (+1)



# ASSEMBLY INSTRUCTIONS



## Step 1

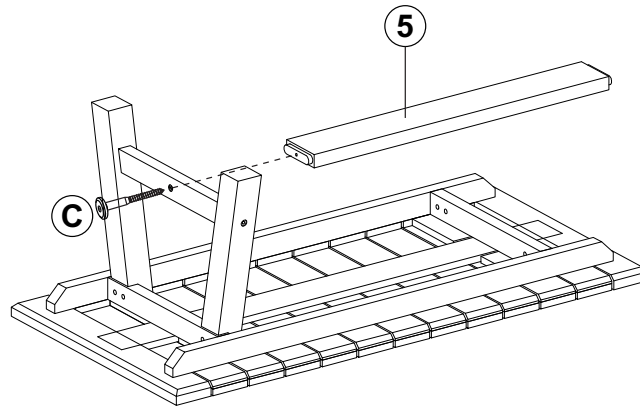
A		4
B		4
D		4
E		2







# ASSEMBLY INSTRUCTIONS

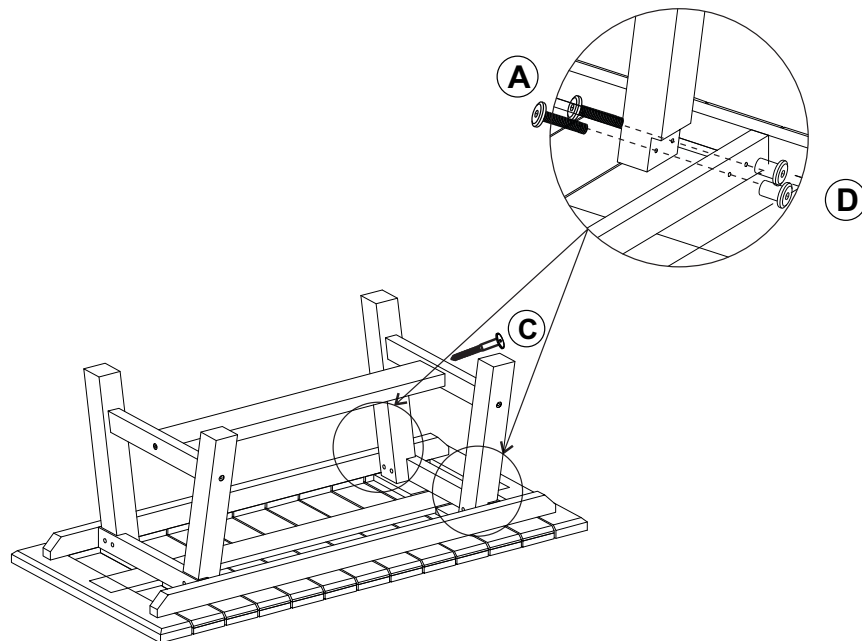
## Step 2

C		1	
E		1	



## Step 3

A		4	
C		1	
D		4	
E		2	




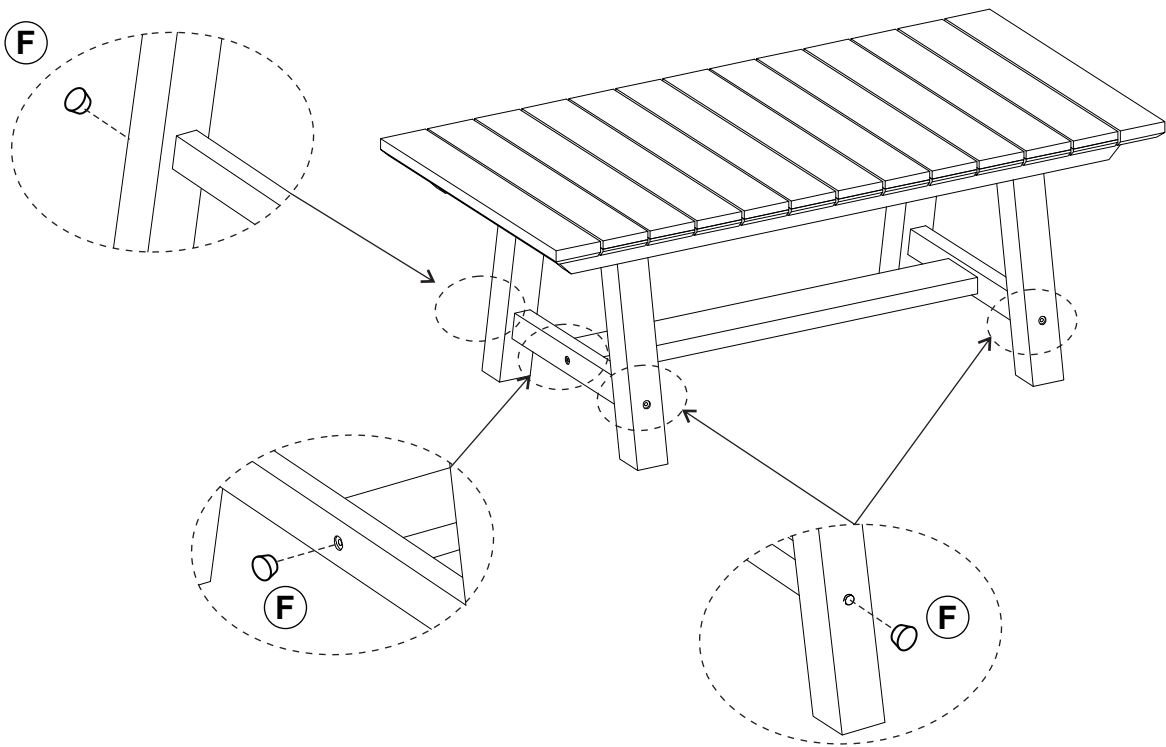
Congratulations! Now you have finished assembling the product.

# ASSEMBLY INSTRUCTIONS

---

## Step 4

F		6	
---	---	---	--



## IF YOU FIND A DEFECTIVE PART

---

We fully stock all parts and components. Any defective part can be quickly replaced. Take note of the defective part number in manual and we will arrange a quick replacement.

You can email our team at [customercare@laura-james.co.uk](mailto:customercare@laura-james.co.uk)

## COPYRIGHT

---

All material in this instruction manual is copyrighted by AGTC Ltd.

Any unauthorised use may violate worldwide copyright, trademark and other laws.

Thank you for purchasing!

Laura James® is a registered trademark of AGTC Ltd.

Made in Vietnam for AGTC LTD S35 9ZX

---

Laura James

[www.laura-james.co.uk](http://www.laura-james.co.uk)

8