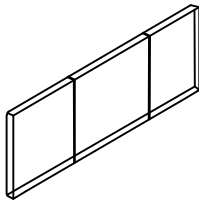
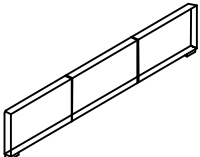
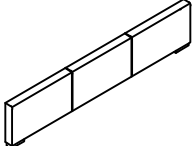
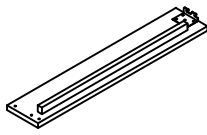
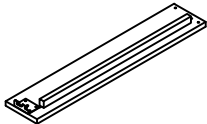
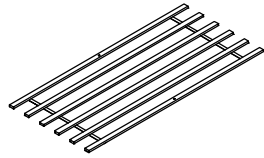
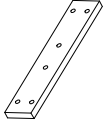
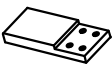
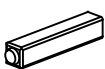
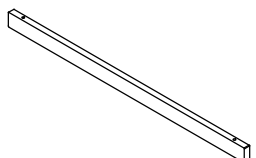
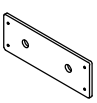








ABBHEY-TWIN-FULL-QUEEN-KING

PART LIST:

A x 1 	B x 1 	C x 1 	D x 2 
E x 2 	F x 2 	H x 2 	G x 2 
I x 4 	J x 2 		

HARDWARE LIST:

K x 2 	L x 1  (M4)	M x 12  ø5/16"x40mm	N x 8  ø5/16"x25mm
O x 4  ø1/4"x80mm	P x 8  ø1/4"x35mm	Q x 4  ø1/4"x20mm	

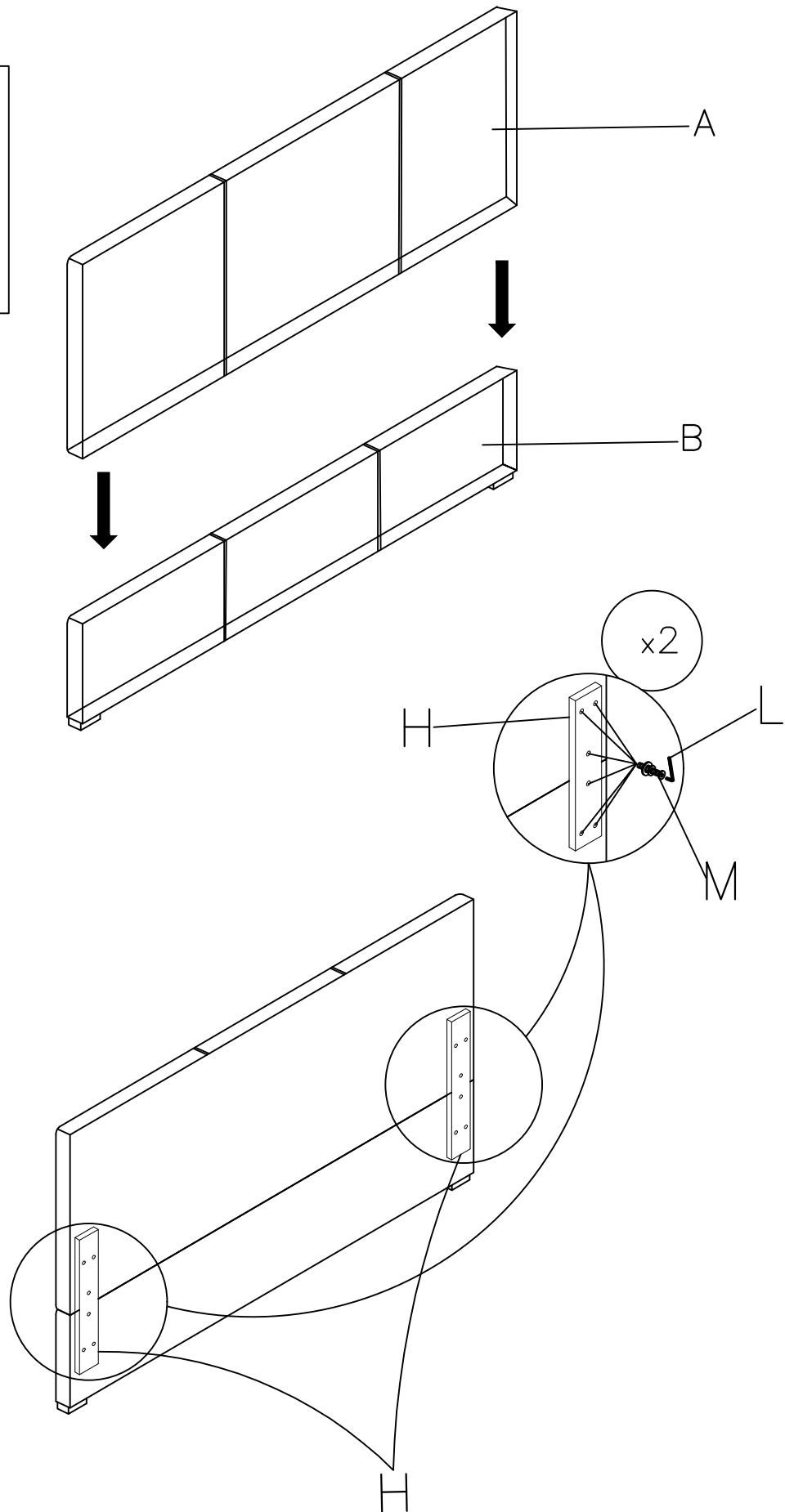
ABBHEY-TWIN-FULL-QUEEN-KING

STEP 1:

M x 12



ø5/16"x40mm



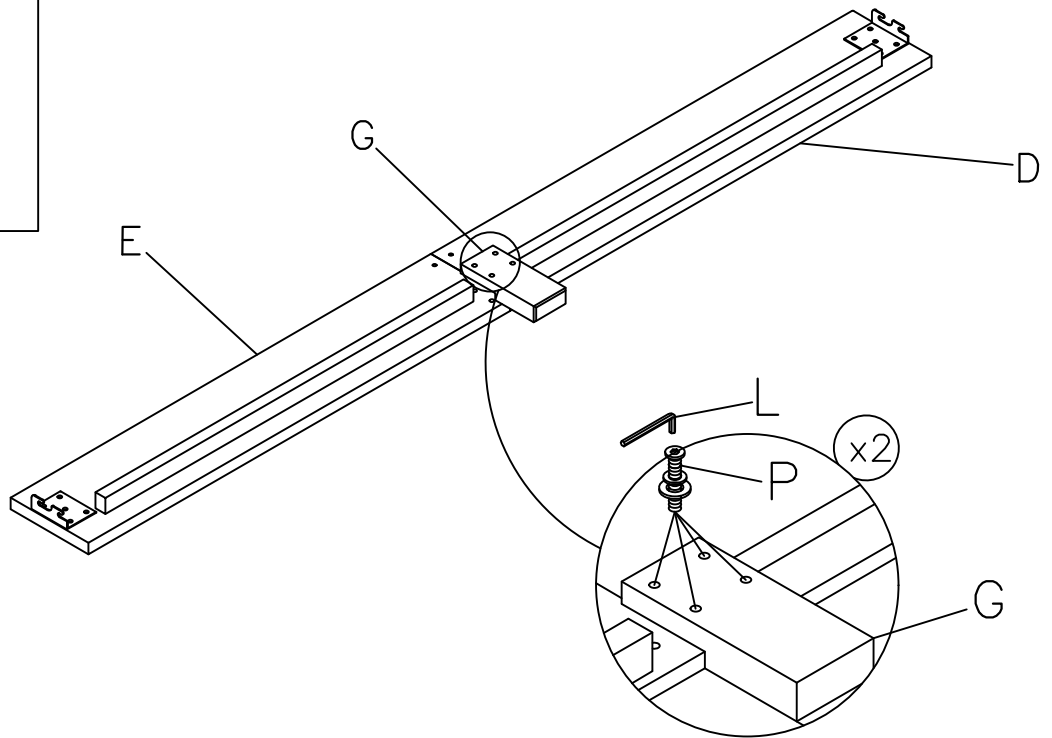
ABBHEY-TWIN-FULL-QUEEN-KING

STEP 2:

P x 8



ø1/4"x35mm

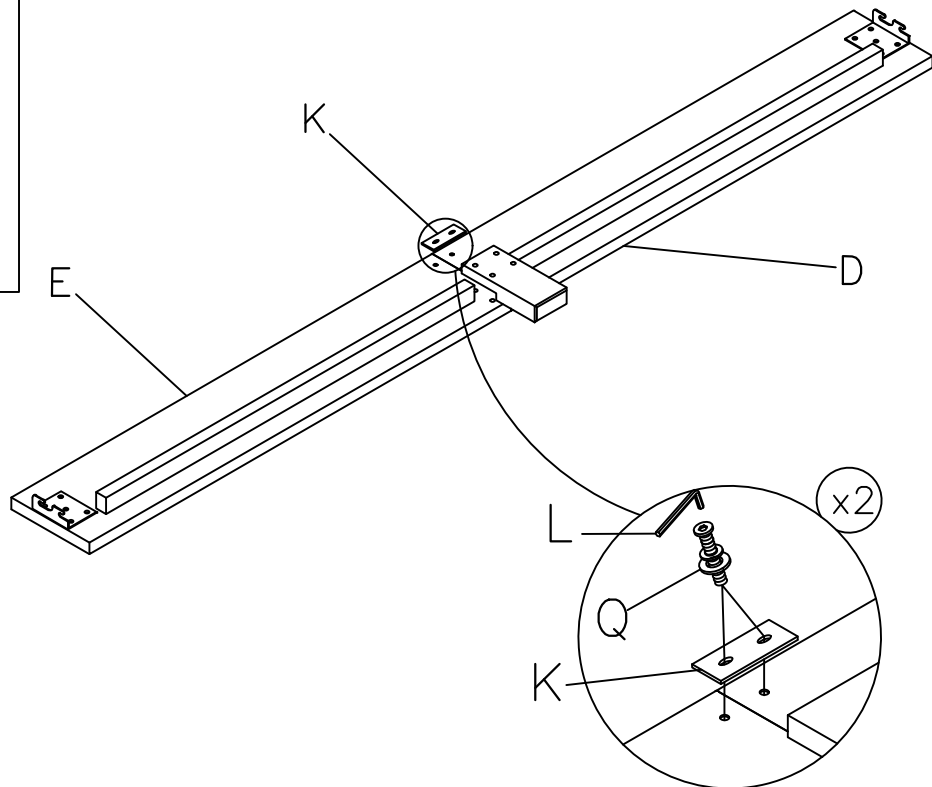


STEP 3:

Q x 4



ø1/4"x20mm



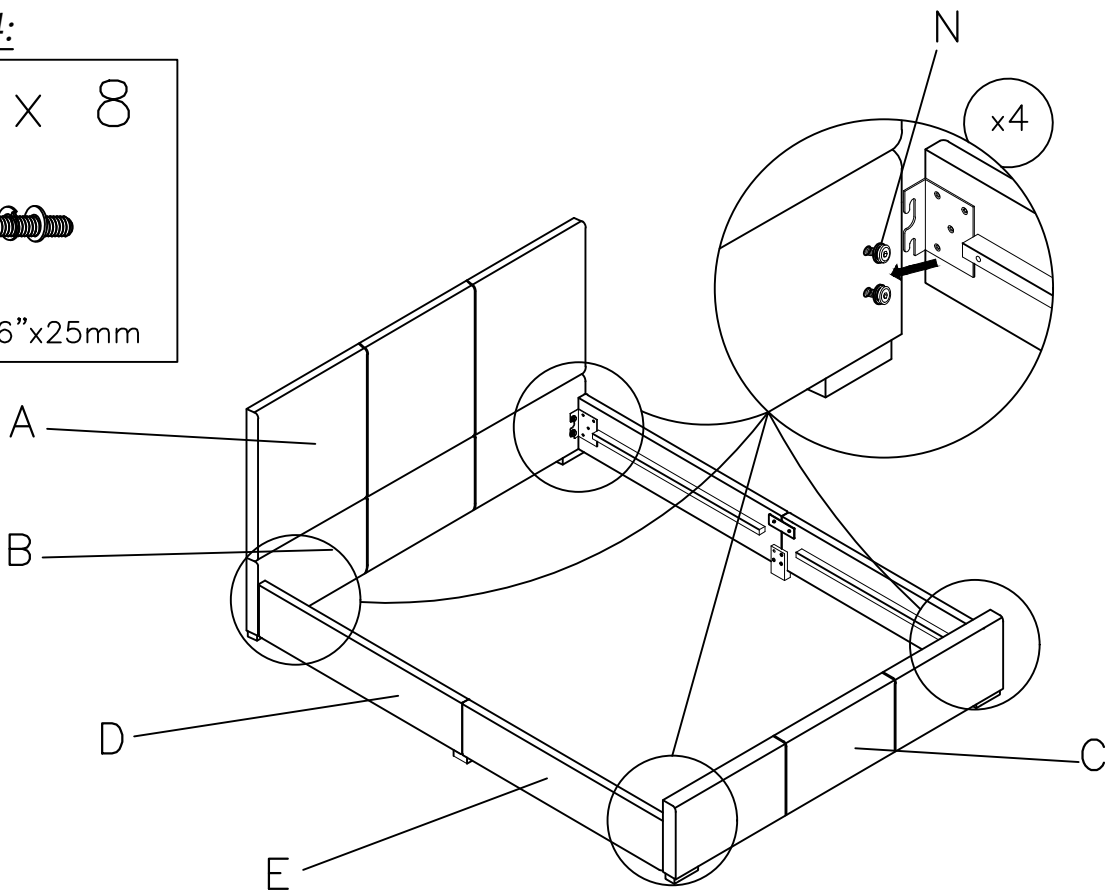
ABBHEY-TWIN-FULL-QUEEN-KING

STEP 4:

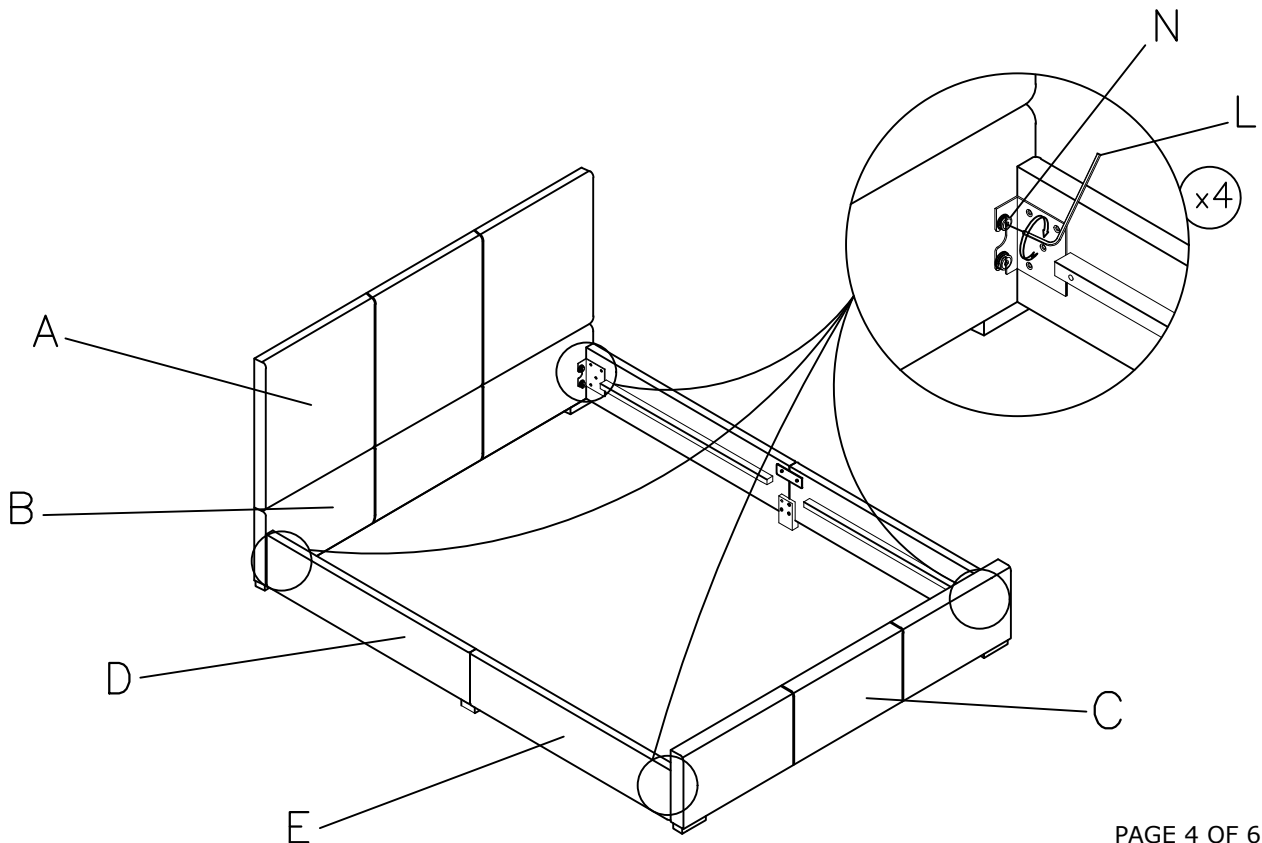
N x 8



ø5/16"x25mm

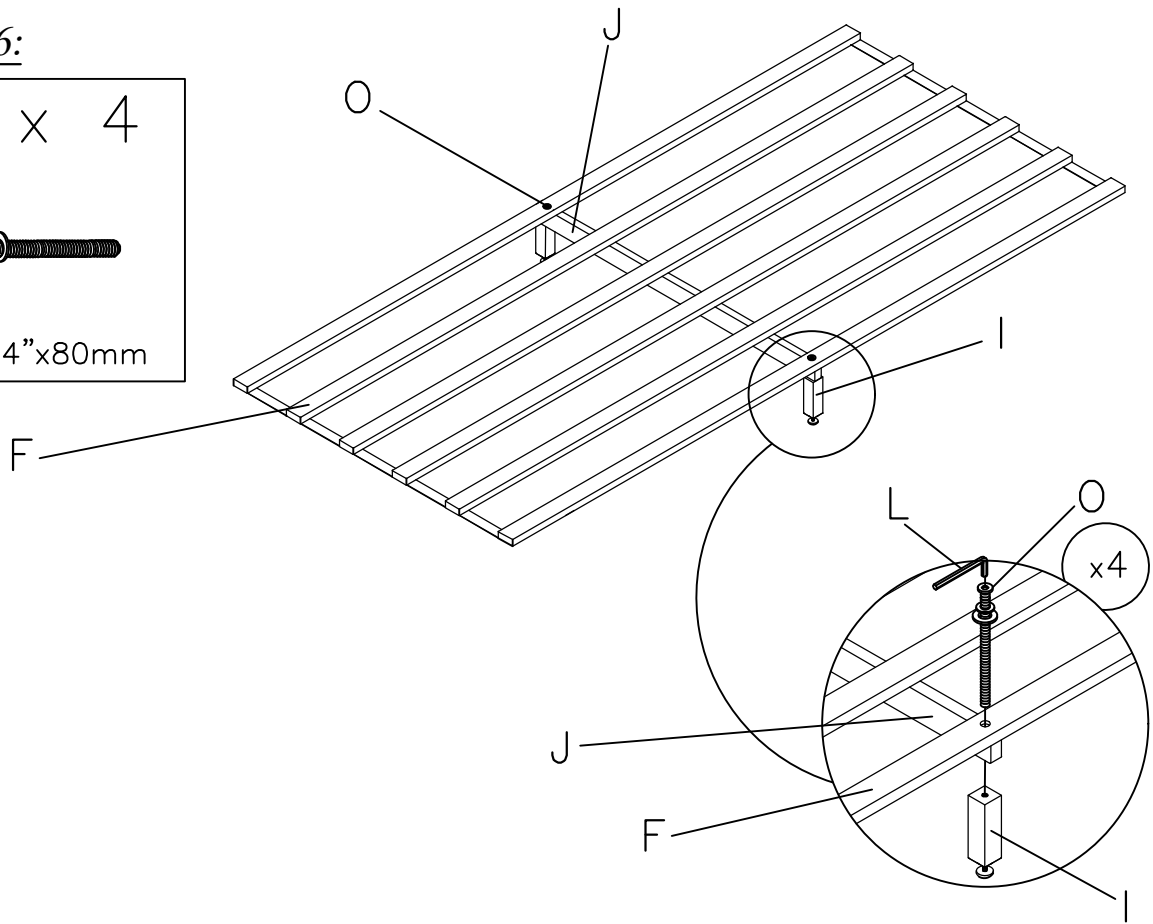
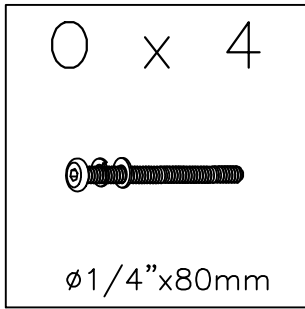


STEP 5:

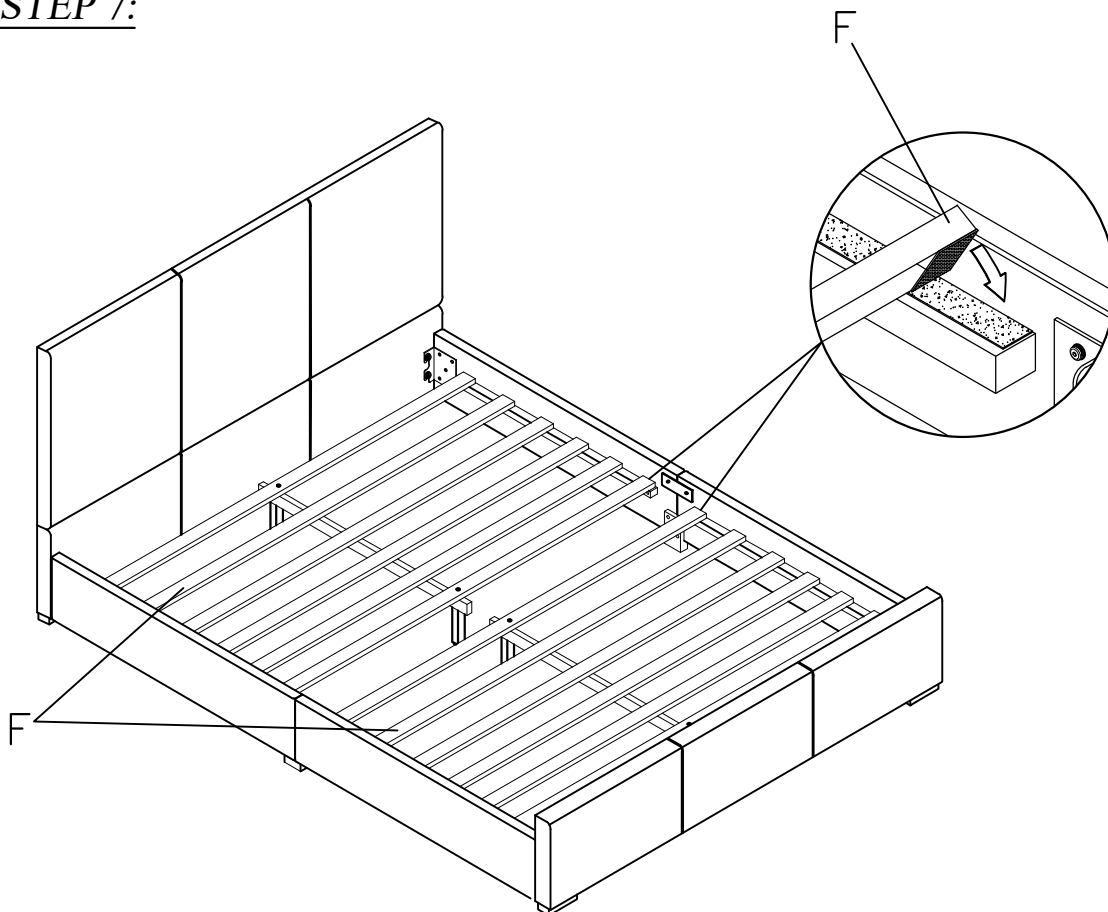


ABBHEY-TWIN-FULL-QUEEN-KING

STEP 6:



STEP 7:



ABBEY—TWIN—FULL—QUEEN—KING

