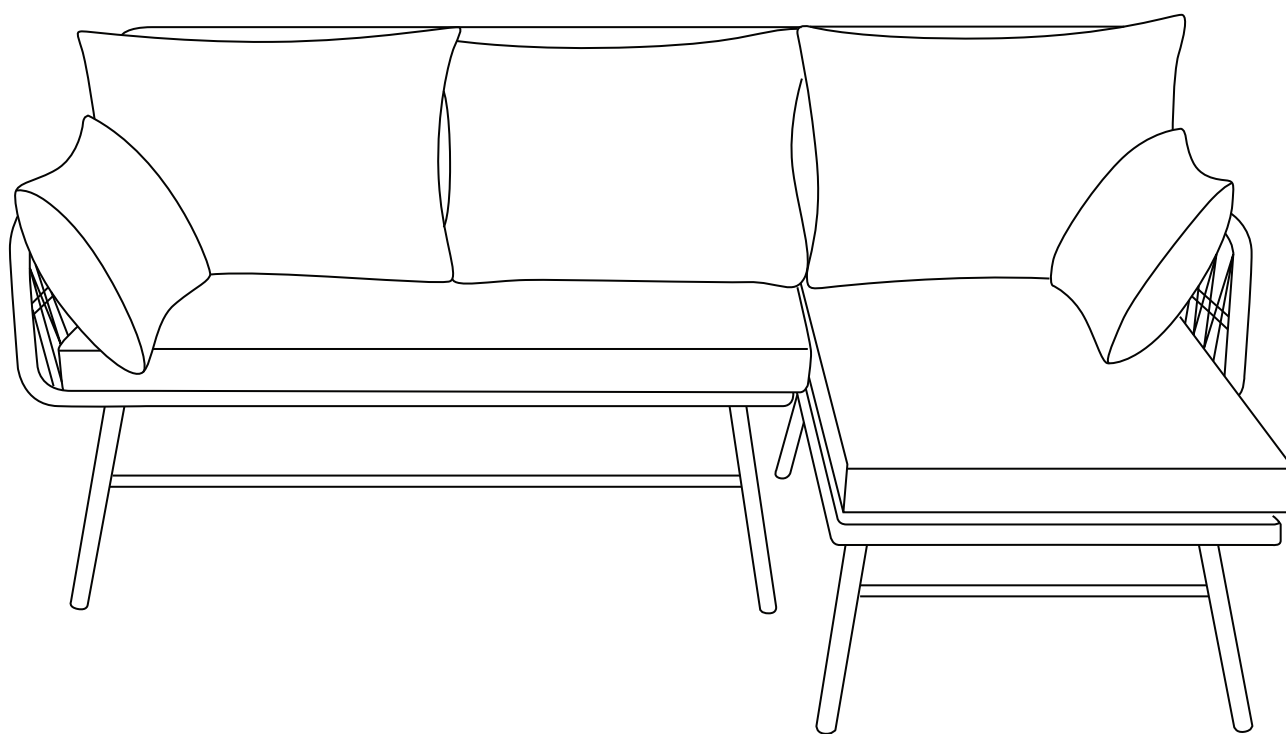


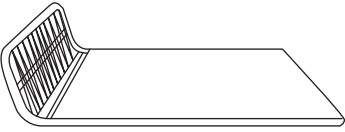
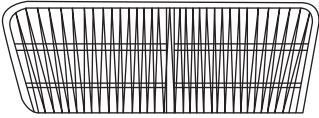



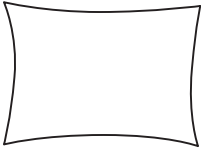
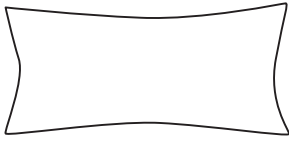
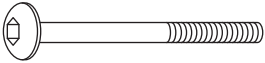
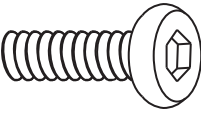


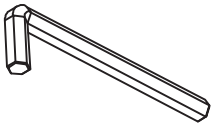


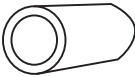
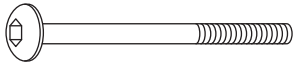
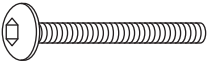
# Assembly Instruction



**L-Shaped Conversation Sofa Set**

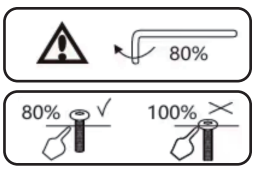
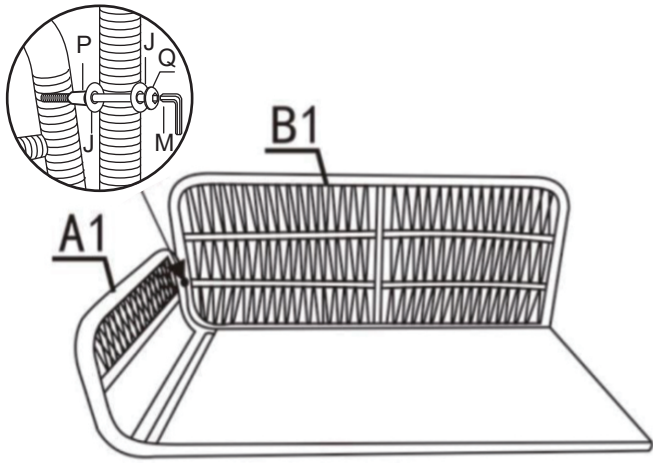
# READ BEFORE INSTALLATION

- 1.If you encounter any issues, such as missing hardware or damaged parts, please contact us and send photos. Our after-sales team will get back to you within 24 hours.
- 2.Assembly is recommended for one person
- 3.Use a low-speed drill. The included Allen wrench is recommended.
- 4.Do not fully tighten the screws until all screws are aligned with the holes.

<p><b>A1</b></p>  <p>Seat 1pc</p>	<p><b>B1</b></p>  <p>Backrest 1pc</p>	<p><b>C1</b></p>  <p>Feetube(short) 2pcs</p>	<p><b>D1</b></p>  <p>Cross bar(long) 2pcs</p>
<p><b>E1</b></p>  <p>Cushion 1pc</p>	<p><b>F</b></p>  <p>Throw Pillow 2pcs</p>	<p><b>G</b></p>  <p>Long throw pillow 1pc</p>	<p><b>H</b></p>  <p>M6x65MM 3pcs</p>
<p><b>I</b></p>  <p>M6x15MM 11pcs</p>	<p><b>J</b></p>  <p>Washer 23pcs</p>	<p><b>K</b></p>  <p>Nut 3pcs</p>	<p><b>M</b></p>  <p>Allen Wrench 1pc</p>
<p><b>N</b></p>  <p>Connector 1pc</p>	<p><b>O</b></p>  <p>Wrench 1pc</p>	<p><b>P</b></p>  <p>Metal Pipe 1pc</p>	<p><b>Q</b></p>  <p>M6x75mm 1pc</p>
<p><b>R</b></p>  <p>M6x40mm 4pcs</p>			

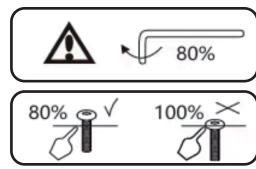
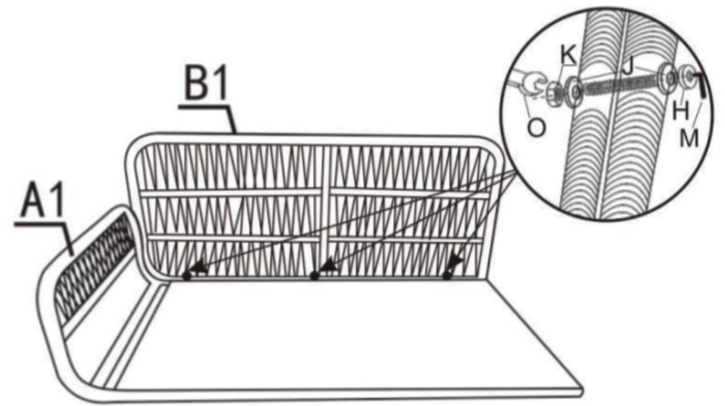
1

A1\*1 B1\*1 J\*2 M\*1 Q\*1 P\*1



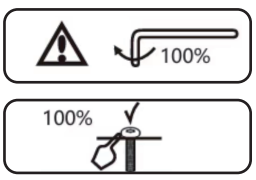
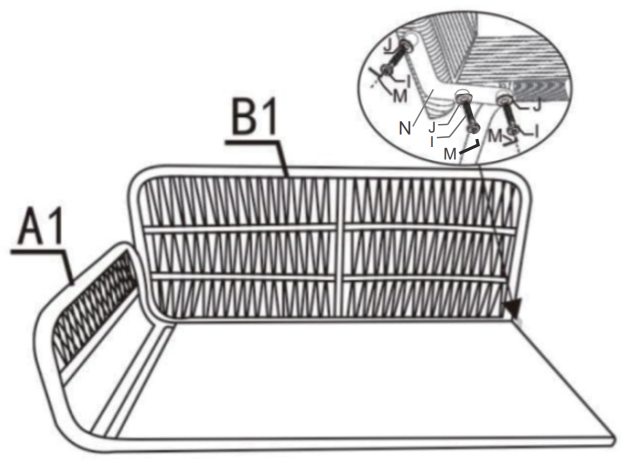
2

J\*6 M\*1 H\*3 K\*3 O\*1

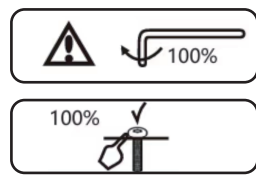
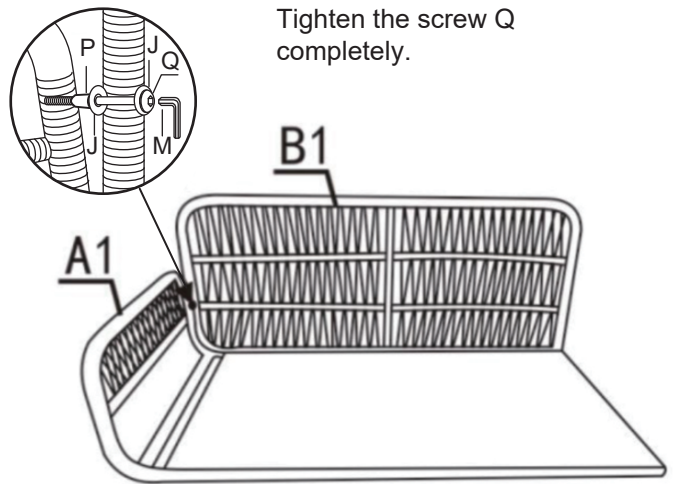


3

J\*3 M\*1 I\*3 N\*1

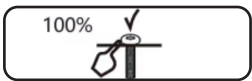
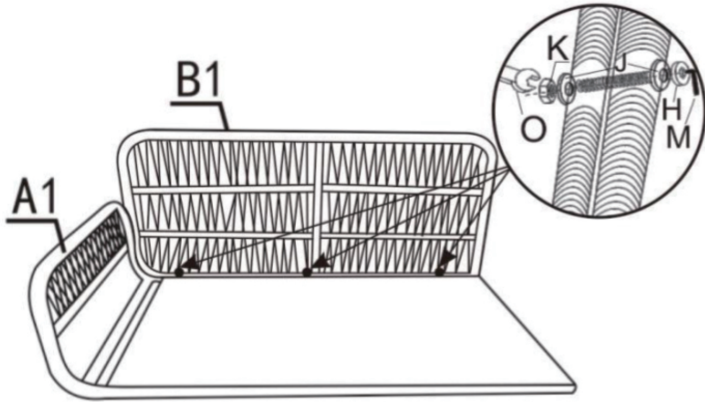


4



5

Tighten the screw H completely.



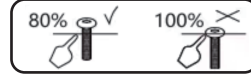
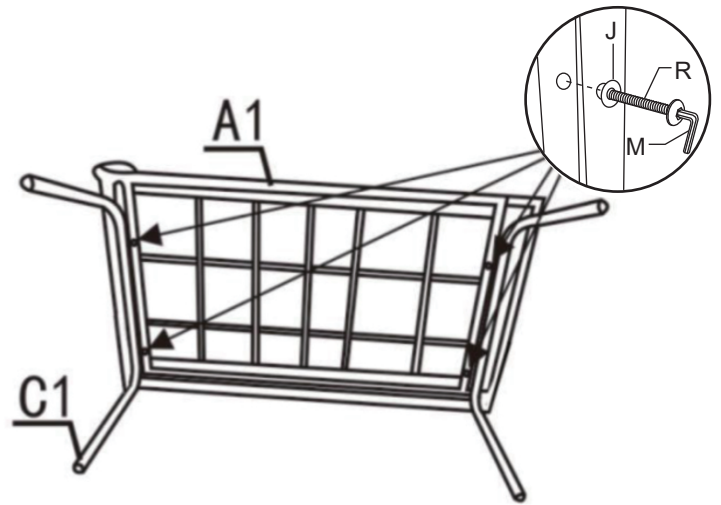
6

C1\*1

J\*4

M\*1

R\*4



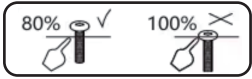
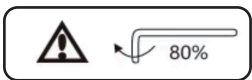
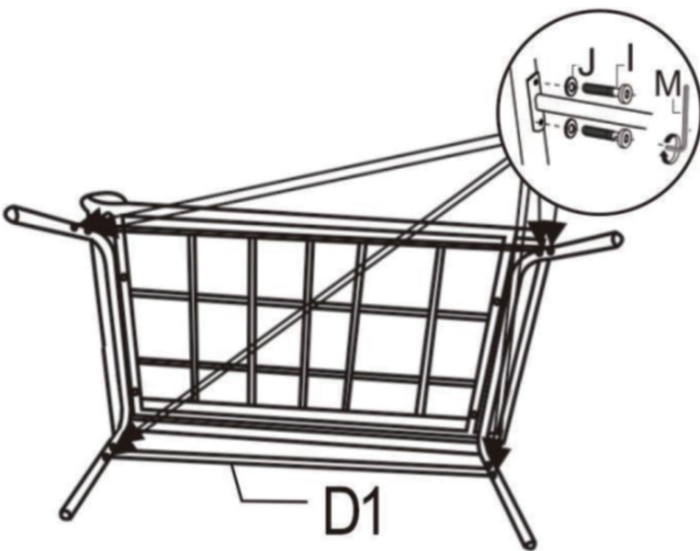
7

D1\*2

I\*8

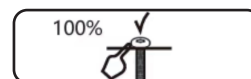
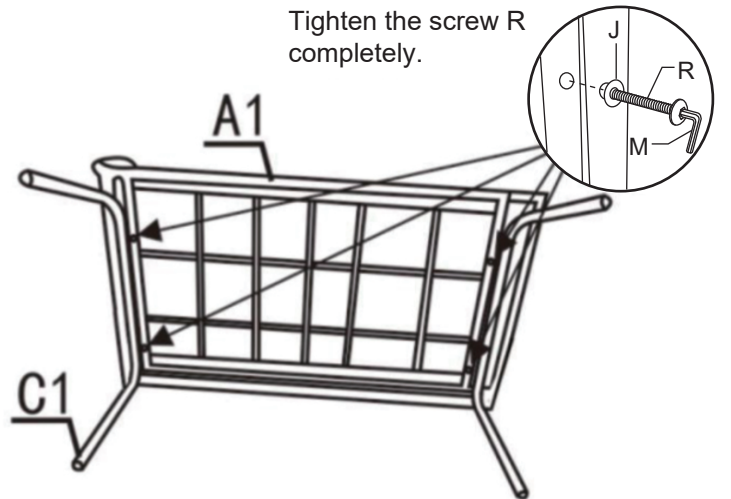
J\*8

M\*1



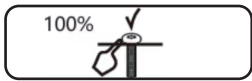
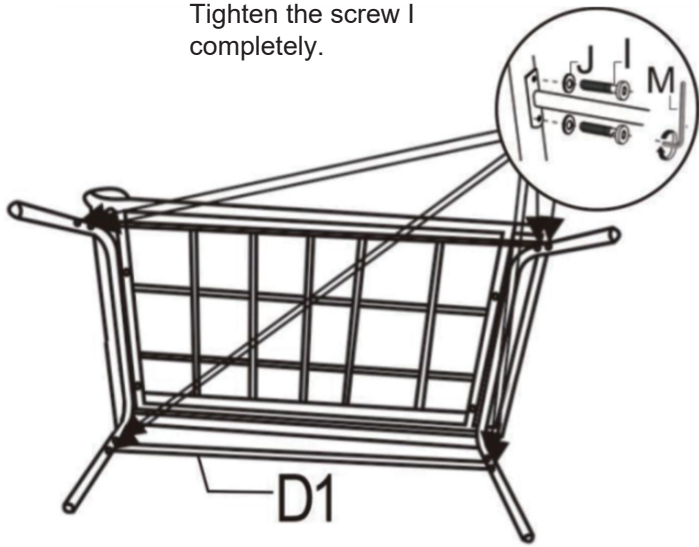
8

Tighten the screw R completely.

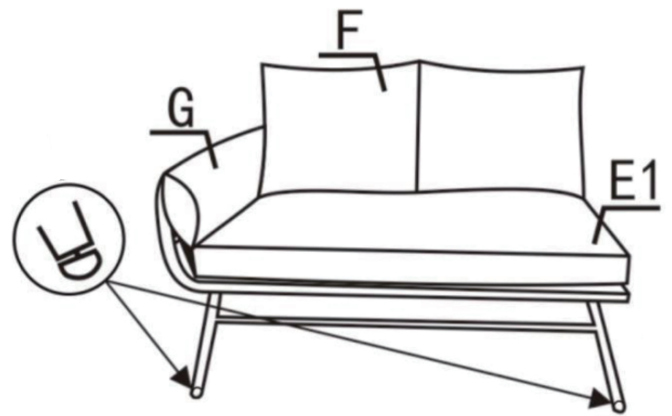


9

Tighten the screw I completely.

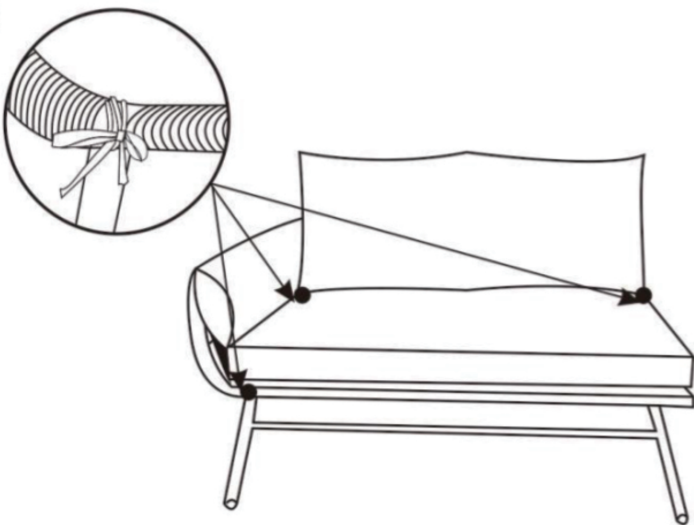


10

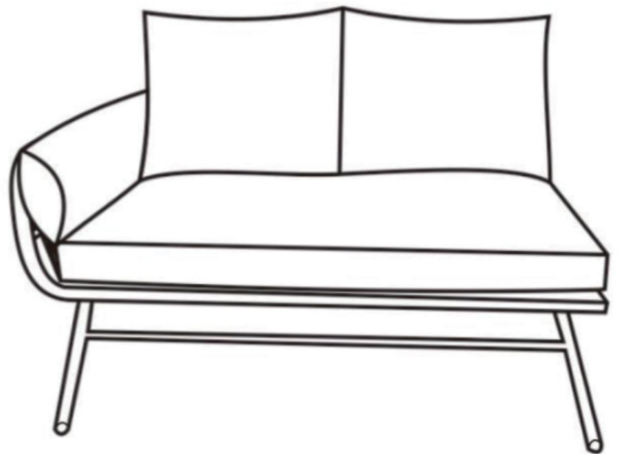


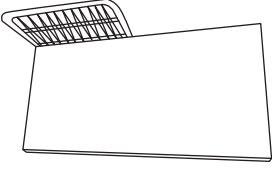
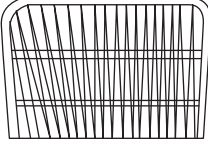
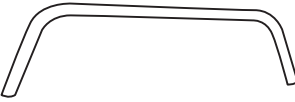


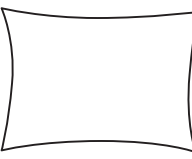
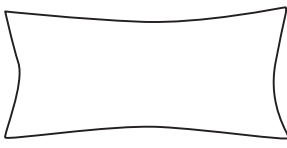
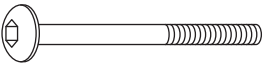
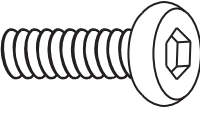


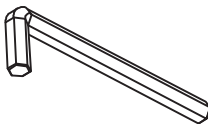


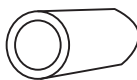
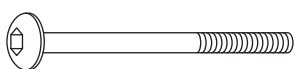

Tighten the plastic feet cap and adjust it if necessary.

11



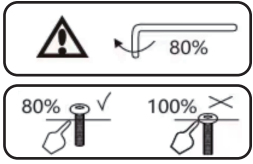
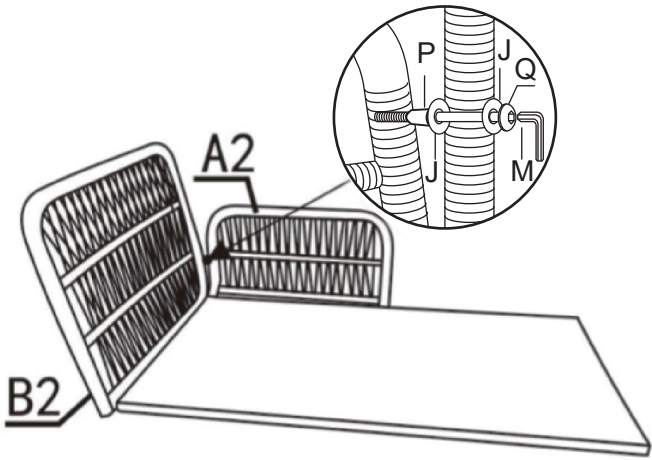
12



<p><b>A2</b></p>  <p>Seat 1pc</p>	<p><b>B2</b></p>  <p>Backrest 1pc</p>	<p><b>C2</b></p>  <p>Feet tube(longt) 2pcs</p>	<p><b>D2</b></p>  <p>Cross bar(short)2pcs</p>
<p><b>E2</b></p>  <p>Cushion 1pc</p>	<p><b>F</b></p>  <p>Throw Pillow 2pcs</p>	<p><b>G</b></p>  <p>Long throw pillow 1pc</p>	<p><b>H</b></p>  <p>M6x65MM 2pcs</p>
<p><b>I</b></p>  <p>M6x15MM 11pcs</p>	<p><b>J</b></p>  <p>Washer 21pcs</p>	<p><b>K</b></p>  <p>Nut 2pcs</p>	<p><b>M</b></p>  <p>Allen Wrench 1pc</p>
<p><b>N</b></p>  <p>Connector 1pc</p>	<p><b>O</b></p>  <p>Wrench 1pc</p>	<p><b>P</b></p>  <p>Metal Pipe 1pc</p>	<p><b>Q</b></p>  <p>M6x75mm 1pc</p>
<p><b>R</b></p>  <p>M6x40mm 4pcs</p>			

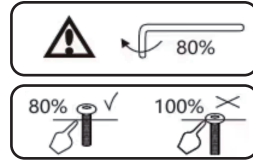
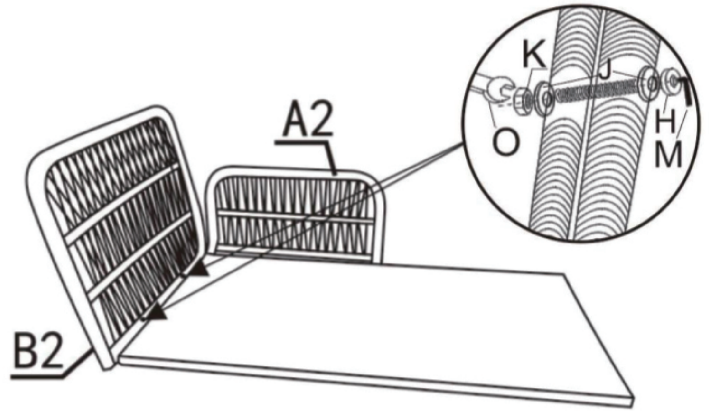
1

A2\*1 B2\*1 J\*2 Q\*1 M\*1 P\*1



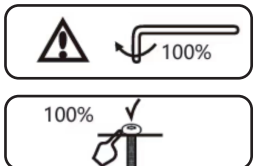
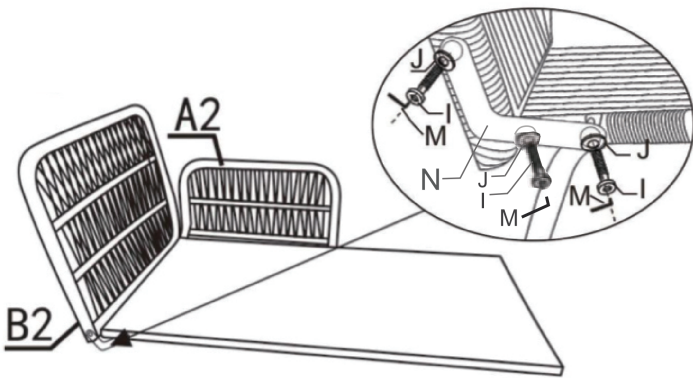
2

J\*4 M\*1 H\*2 K\*2 O\*1



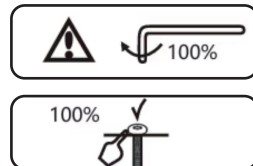
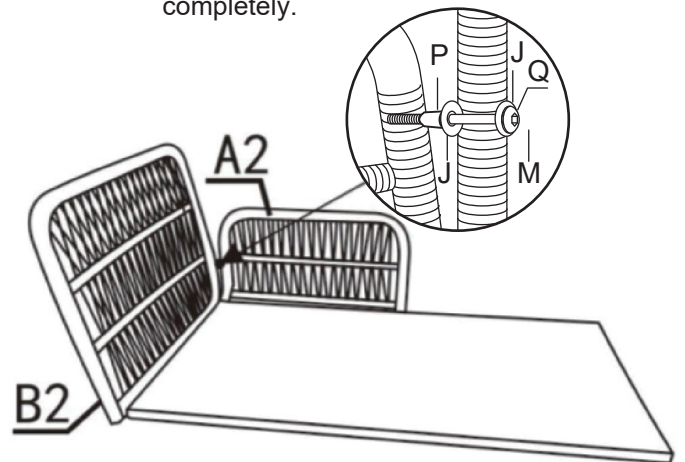
3

I\*3 J\*3 M\*1 N\*1



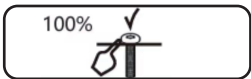
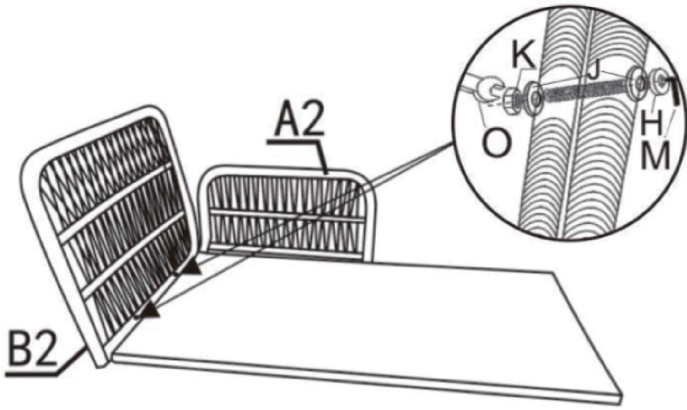
4

Tighten the screw Q completely.



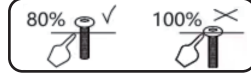
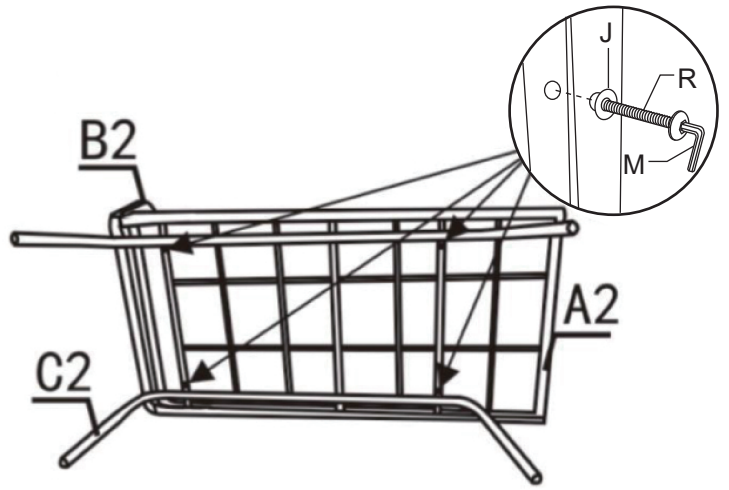
5

Tighten the screw H completely.



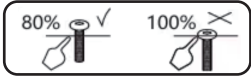
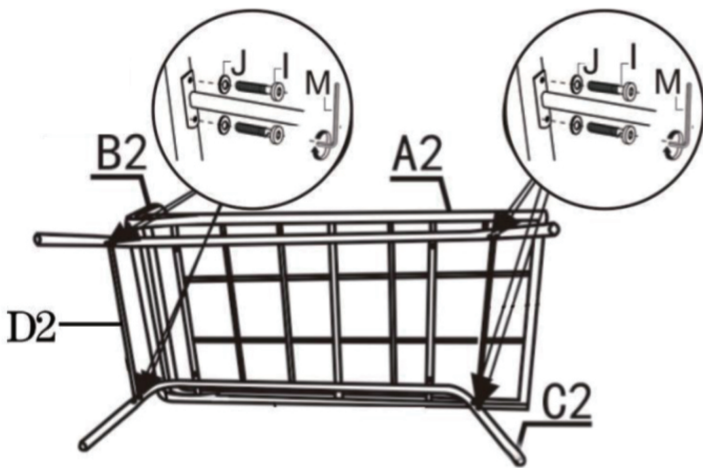
6

C2*1	J*4	M*1	R*4
------	-----	-----	-----



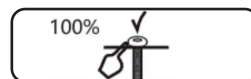
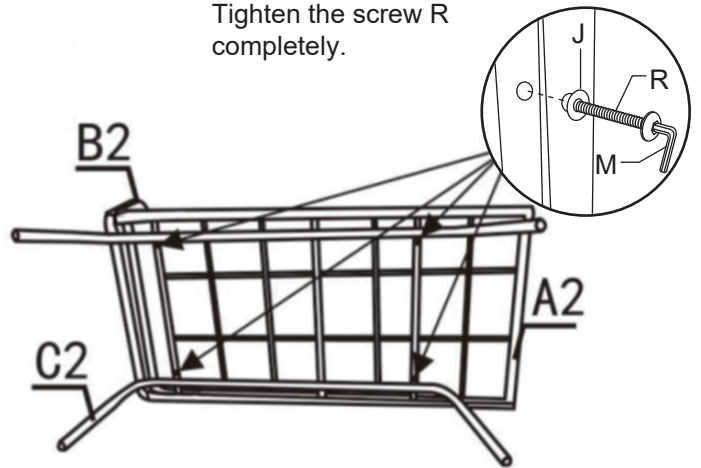
7

D2*2	I*8	J*8	M*1
------	-----	-----	-----



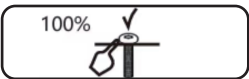
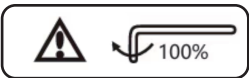
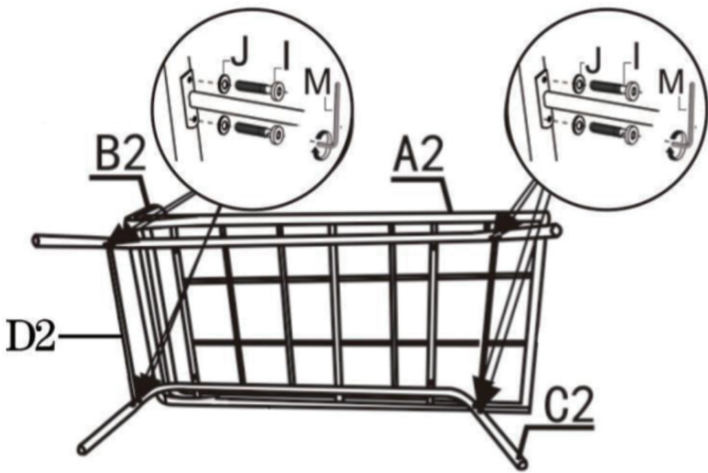
8

Tighten the screw R completely.

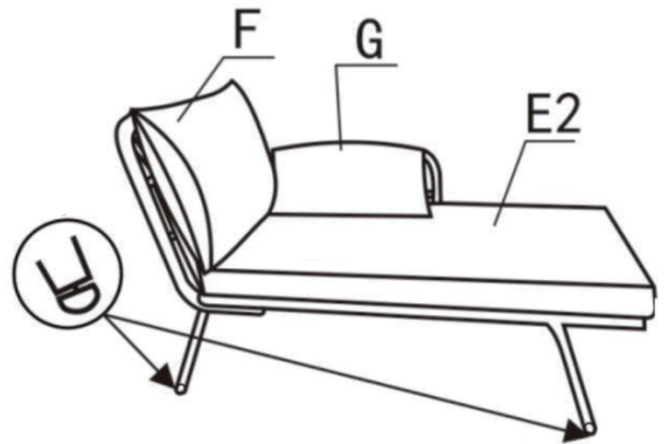


9

Tighten the screw I completely.

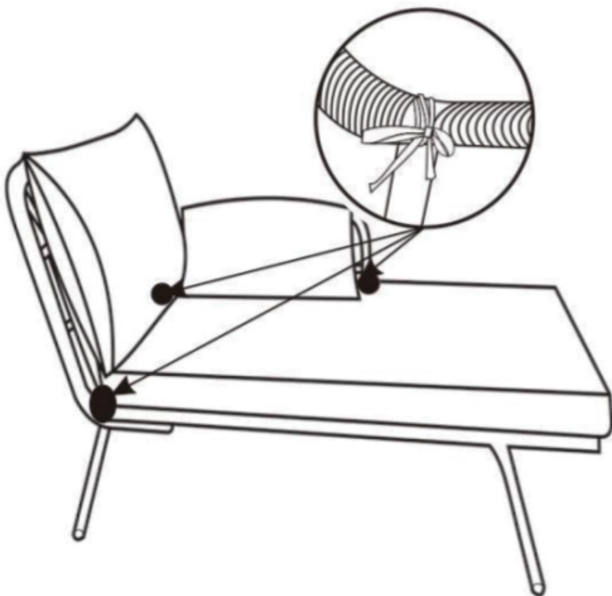


10



Adjust the plastic feet cap if necessary.

11



12

