

# INSTALLATION

**CAUTION**

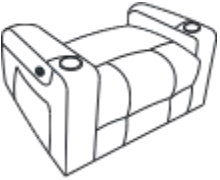



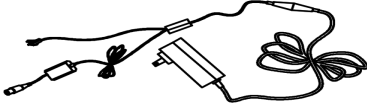

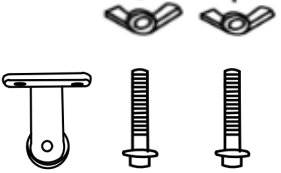
Parts are placed at the bottom of the product.

# Assembly Instructions

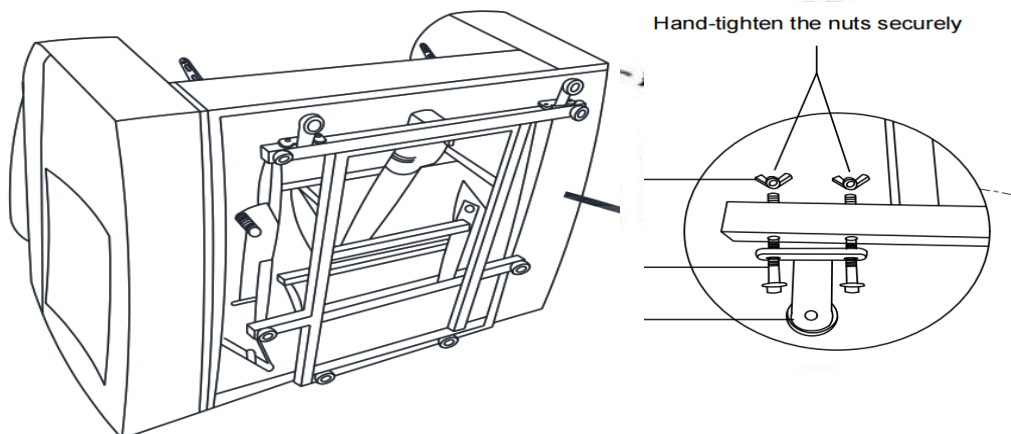
Your recliner comes packaged in 1 boxes. Carefully remove all components from the packaging and set aside for assembly.

**CAUTION:**  
**DO NOT** use any sharp objects to open plastic wrapped components as damage to product or components may result.

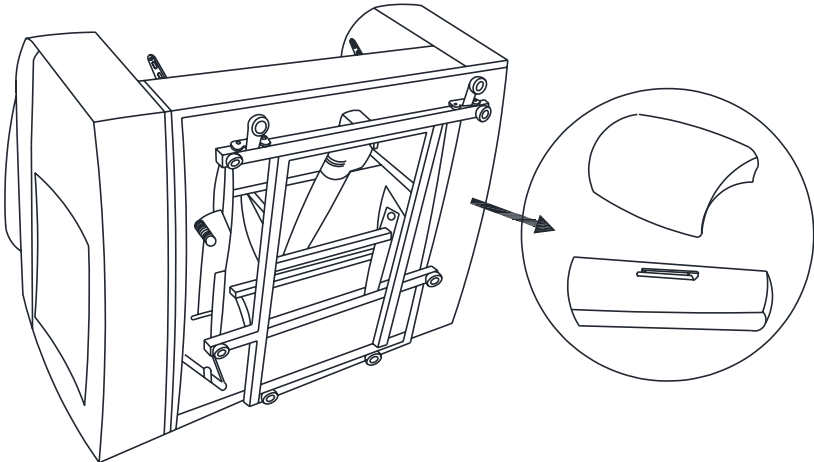
## Package Contents

			
A 1*Chair Seat	B 1*Backrest	C 2*Armrests	D 2*Ears
			
E 1* Power Source		G 1* Massage Remote	H 2* Supporting Feet

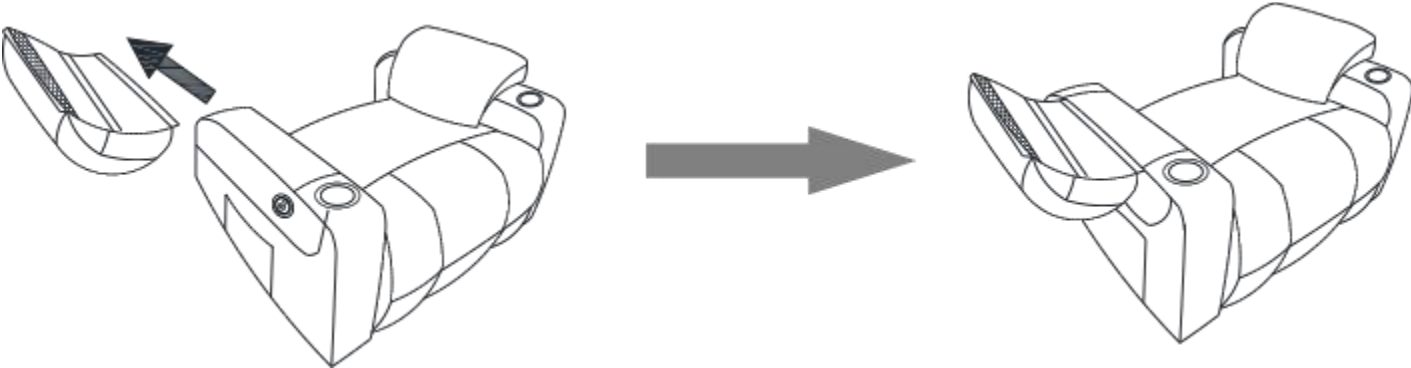
**Step 1:** Find a small bag in the accessories box. Take out Supporting Feet(H) from the small bag. Assemble the two Supporting Feet as shown on the bottom of mechanism to avoid toppling and falling.



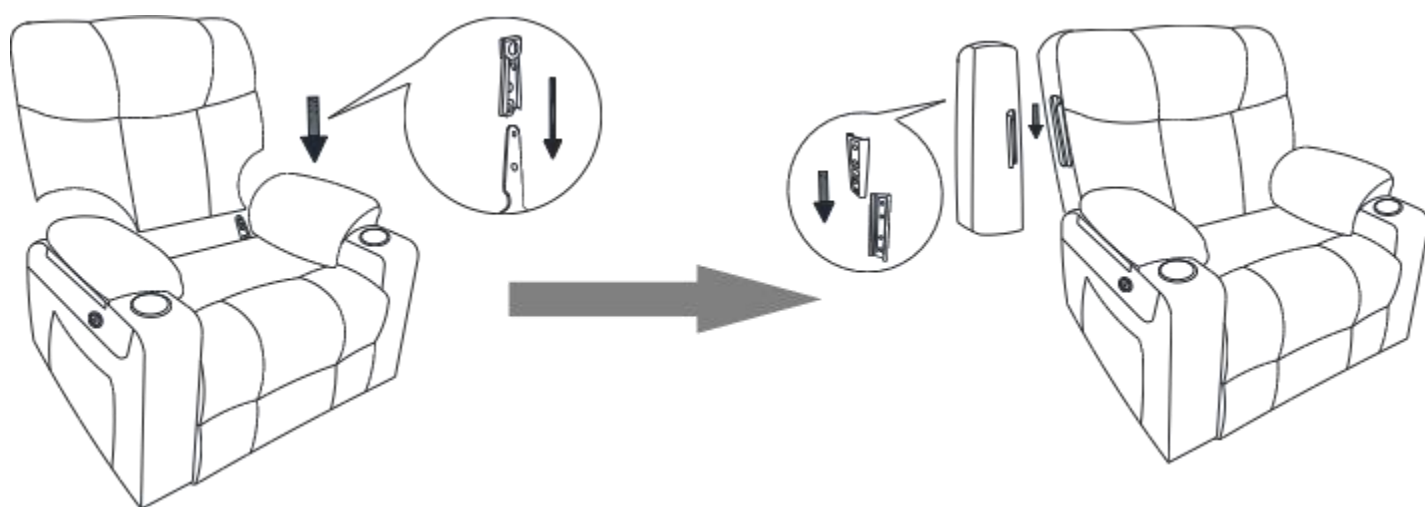
**Step 2**



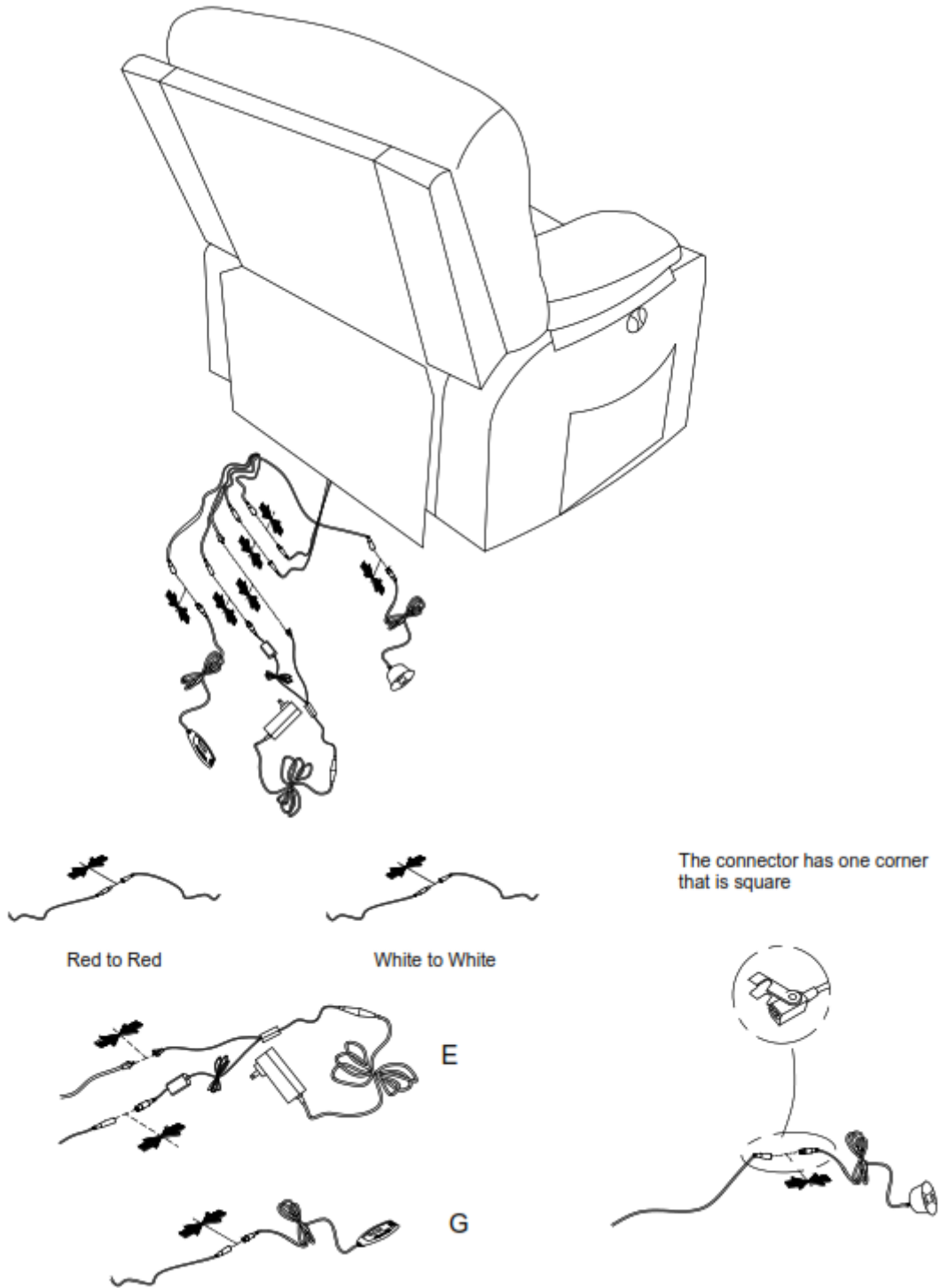
**Step 3**



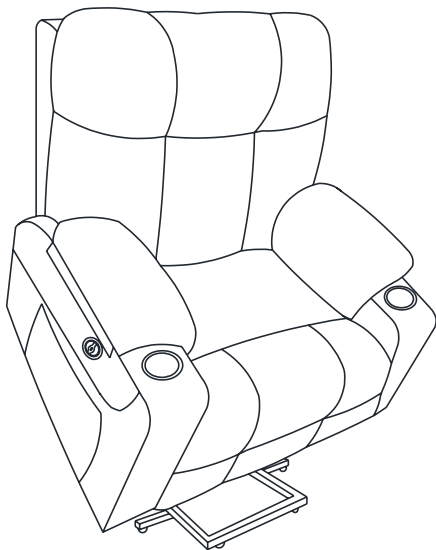
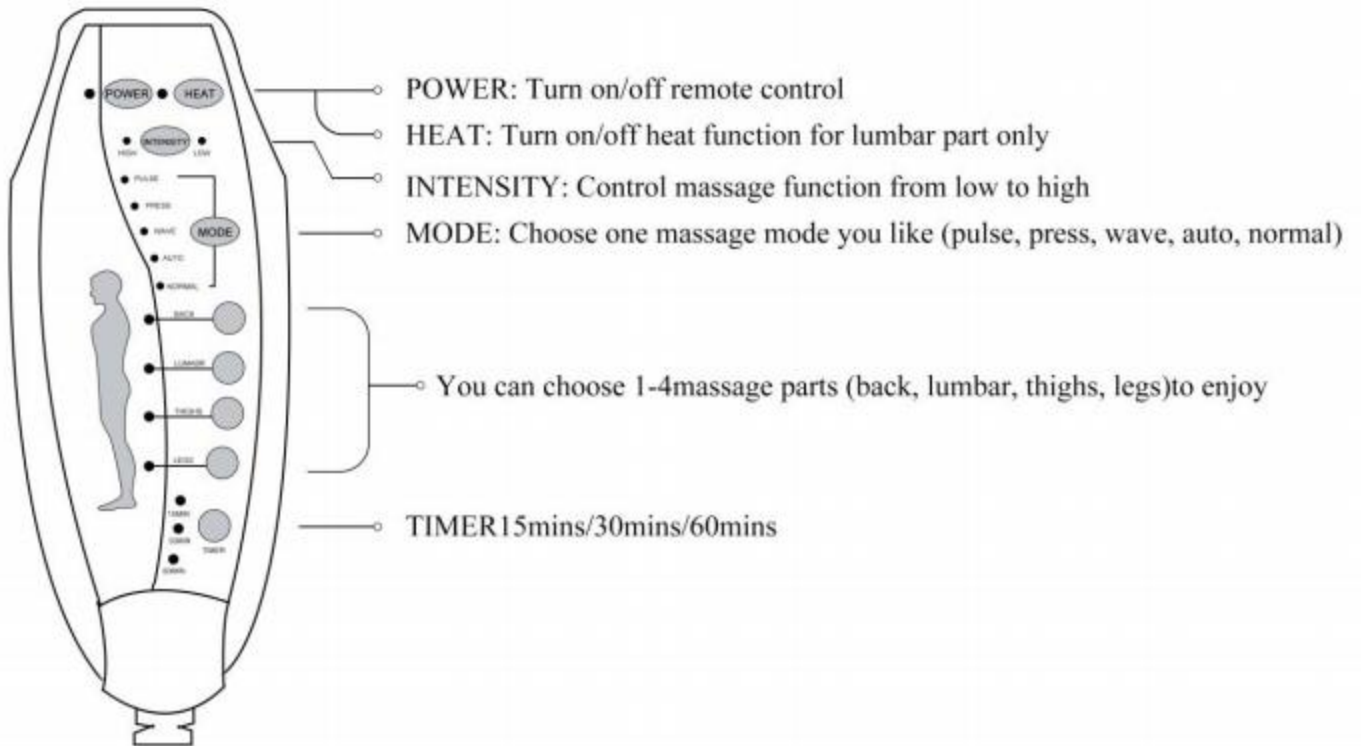
## Step 4



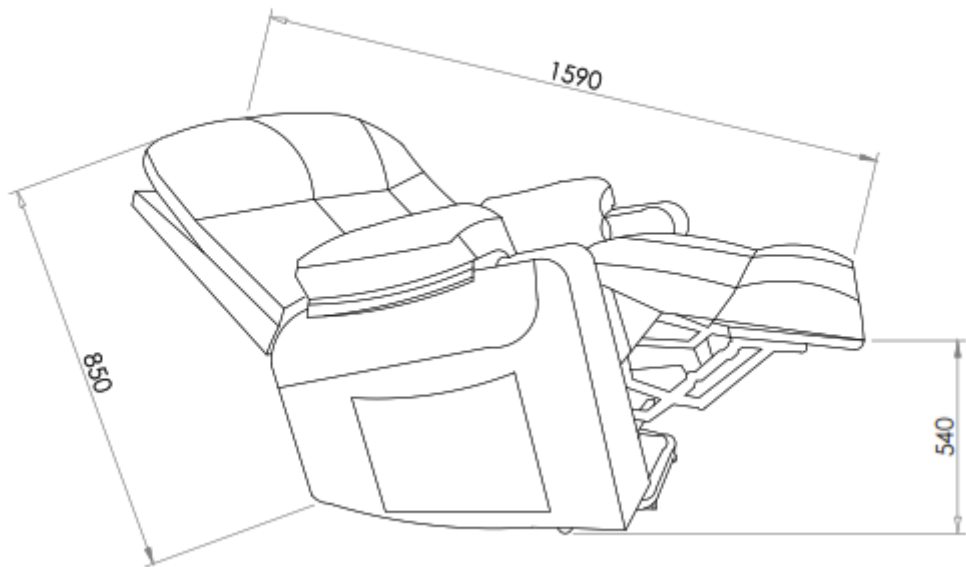
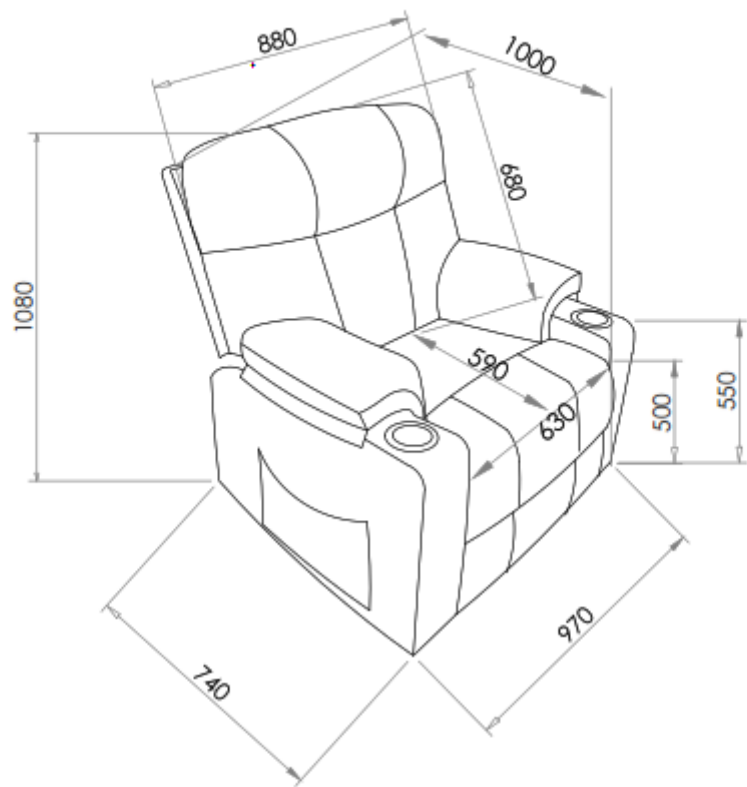
**Step 5:** Connect the plug line with the switching power line white to white, red to red. Connect the plug line with the switching power line.



# Operation Instruction



*Different positions by pressing **the buttons** of left armrest to switch, the lift recliner chair can meet your various needs.*



# Warnings

1. Please check if the components of the chair are all included and can be used normally.
2. Assemble all components according to the instruction correctly before you connect the chair to the power.
3. Please DO NOT sit on the armrests or footrest to eliminate the risk of tipping over.
4. If the chair is damaged or doesn't match the website description, please send clear pictures of the product and label of the cart onto our service team for further help.
5. If the recliner doesn't work, you may try the following measures for self-checking firstly:
  - a) Check if all the cables are connected;
  - b) Check if the light of transformer is on.

If the chair still doesn't work, please feed the information back to our customer service in time and we'll help you solve the matter as soon as possible

6. If you have any questions with the product (we will reply to you within 24hours)

