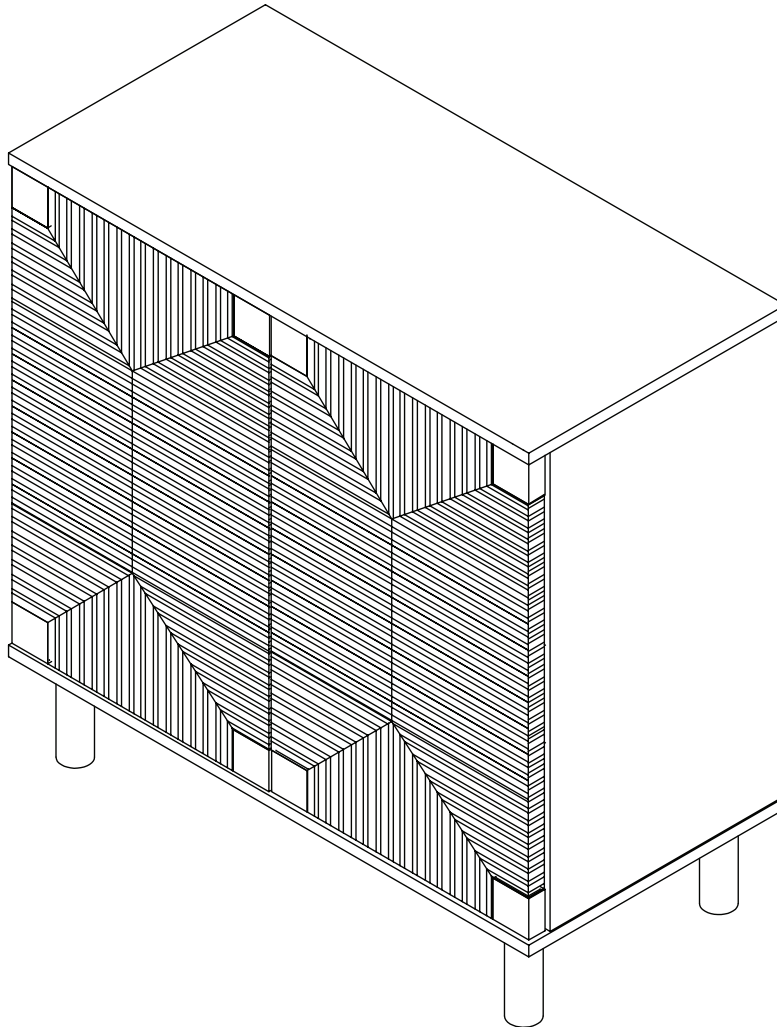


Let's build the

Beacon Storage Unit

SKU 71403



Scan me!

Free Lifetime
Warranty

nathan james

23-0606

Ok, let's get rolling

This should be easy, just follow our instructions and you will be back to Netflix in no time.

Estimated time for assembly



60:00

What you need

- Some of your favorite bubbly or your preferred relaxant
- Use the packaging carton as a working surface to prevent product damage during assembly
- Phillips head screwdriver

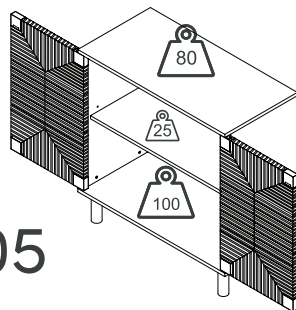
Do not use a drill



Weight Limitation



205
lbs



What's included

Description	Qty
A Left Side Panel	1
B Upper Back Stretcher	1
C Lower Back Stretcher	1
D Upper Front Stretcher	1
E Right Side Panel	1
F Bottom Panel	1
G Legs	2
H Center Leg	1
I Back Panel	1
K Shelf Panel	1
L Right Door	1
M Left Door	1
N Top Panel	1

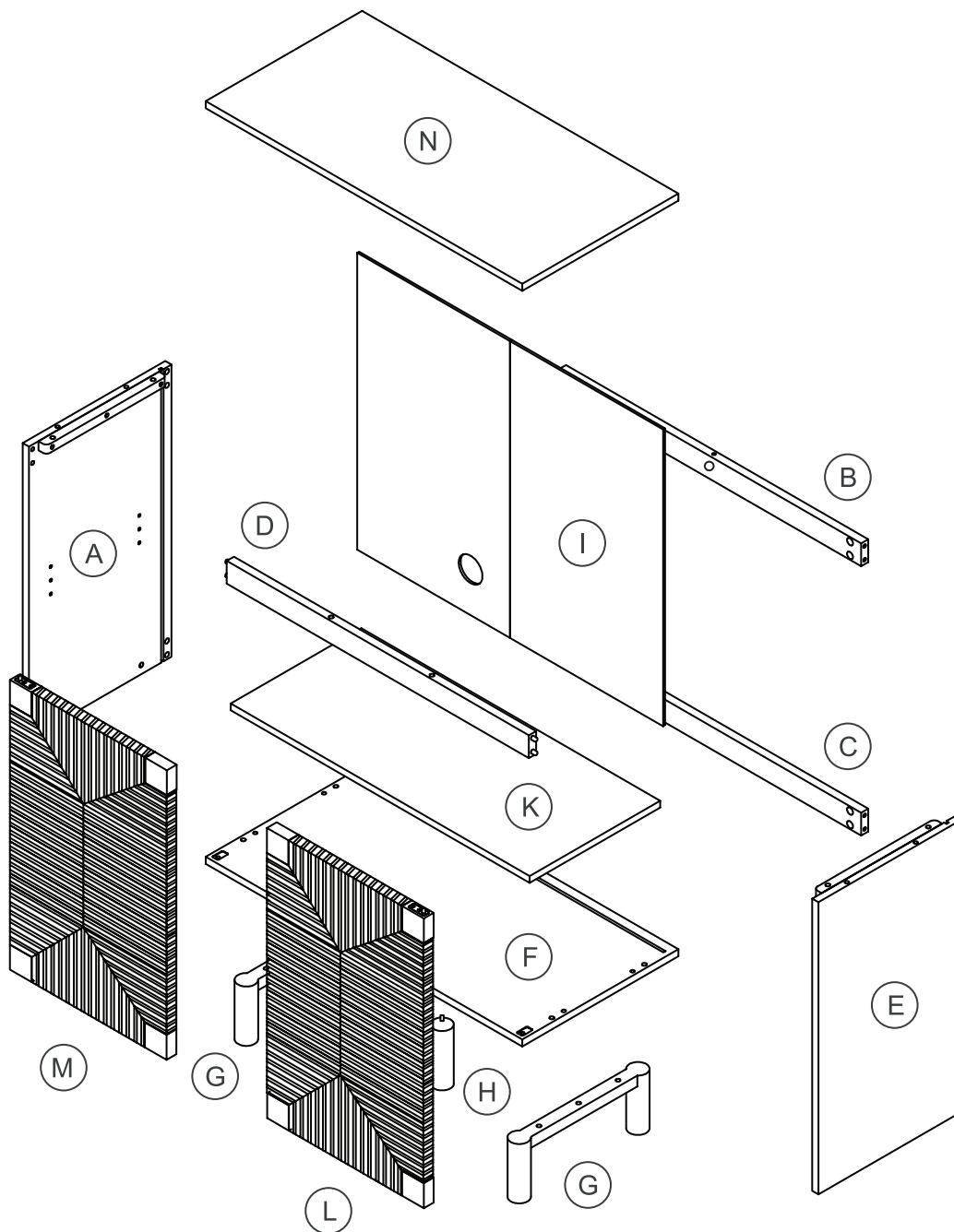
Scan me!

Free Lifetime
Warranty



Toll-free at 1-866-619-1004
Help@nathanjames.com
Nathanjames.com/help

The goods



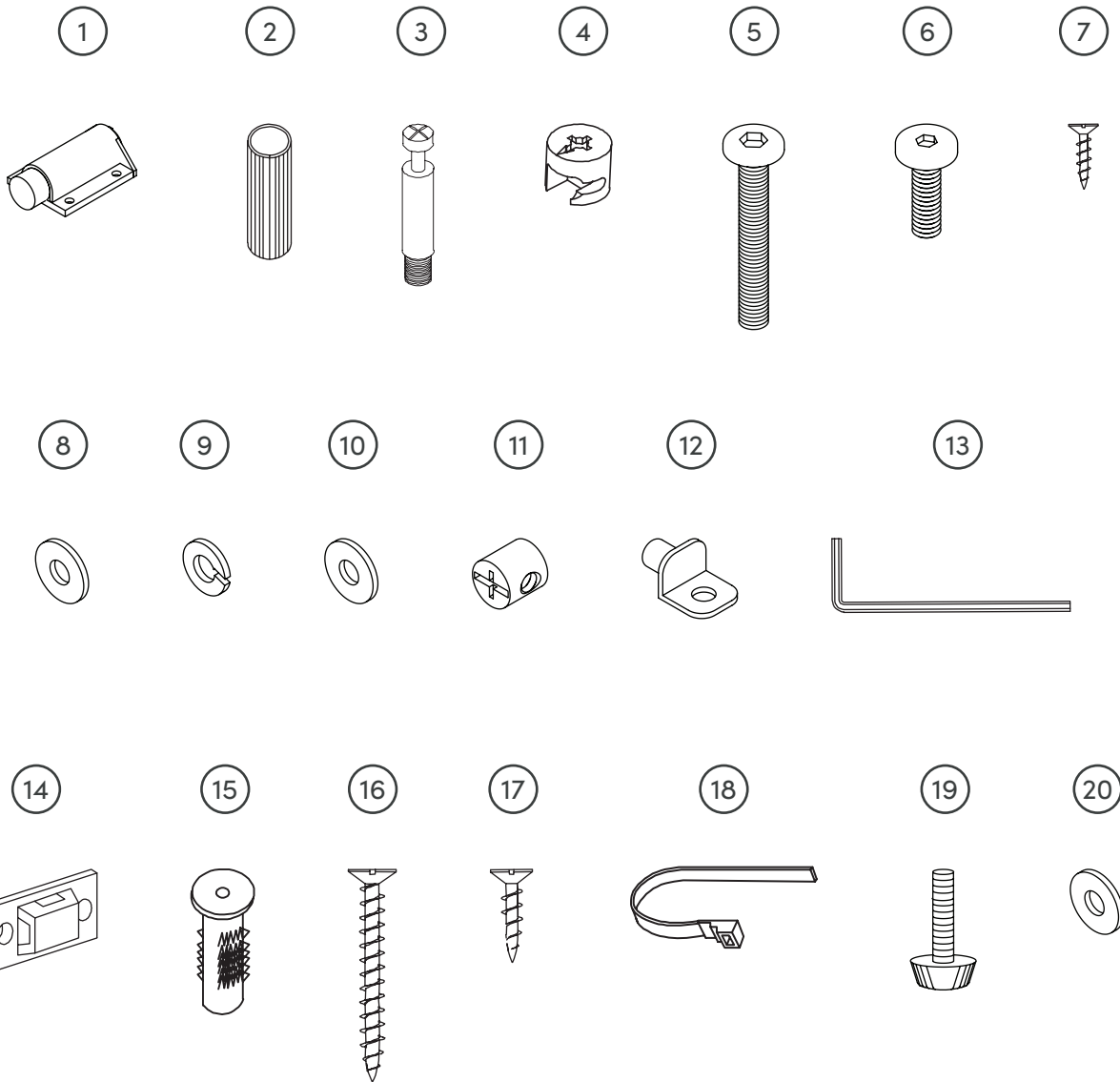
IMPORTANT

1. Do not tighten bolts / screws completely until all bolts / screws are lined up and inserted into holes.
2. Do not over tighten screws and bolts to avoid stripping.
3. Please use hand tools to assemble this product. Do not use power tools.

What's included

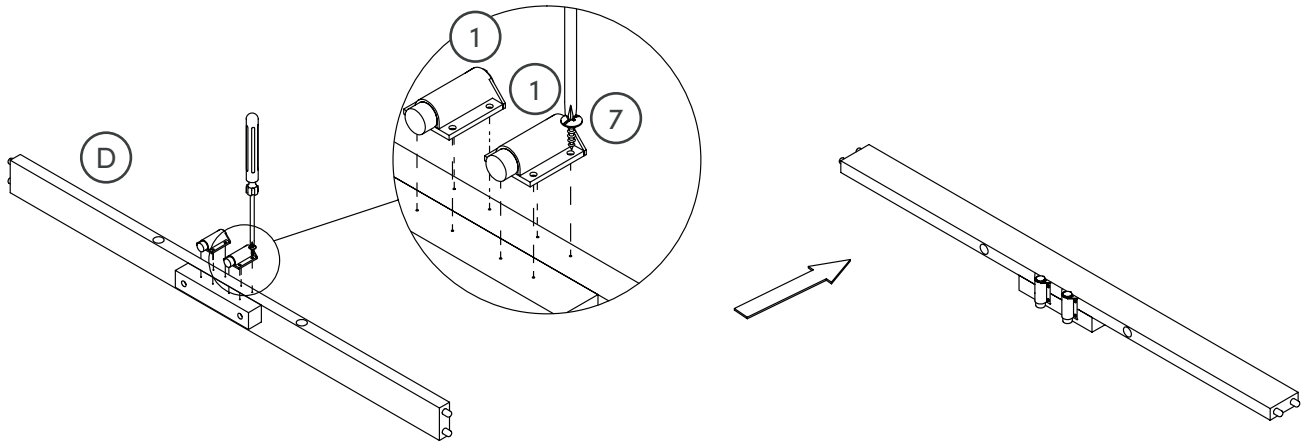
	Description	Qty
1	Magnetic Push Latch	2
2	8*30mm Wooden Dowel	8
3	Cam Bolt	9
4	Cam Lock	9
5	Long Bolt ¼*38mm	13
6	Short Bolt ¼*25mm	4
7	M3*15mm Screw	8
8	Flat Washer	17
9	Spring Washer	17
10	Plastic Washer	4
11	T Nuts	5
12	Shelf Support Tab	4
13	Allen Key	1
14	Plastic Bracket (Anti-Tip Kit)	2
15	Plastic Anchor (Anti-Tip Kit)	2
16	M4*40mm Screw	2
17	M3.5*15mm Screw	2
18	Plastic Strap (Anti-Tip Kit)	1
19	Leveler (Extra)	3
20	Plastic Washer (Extra)	4

The goods



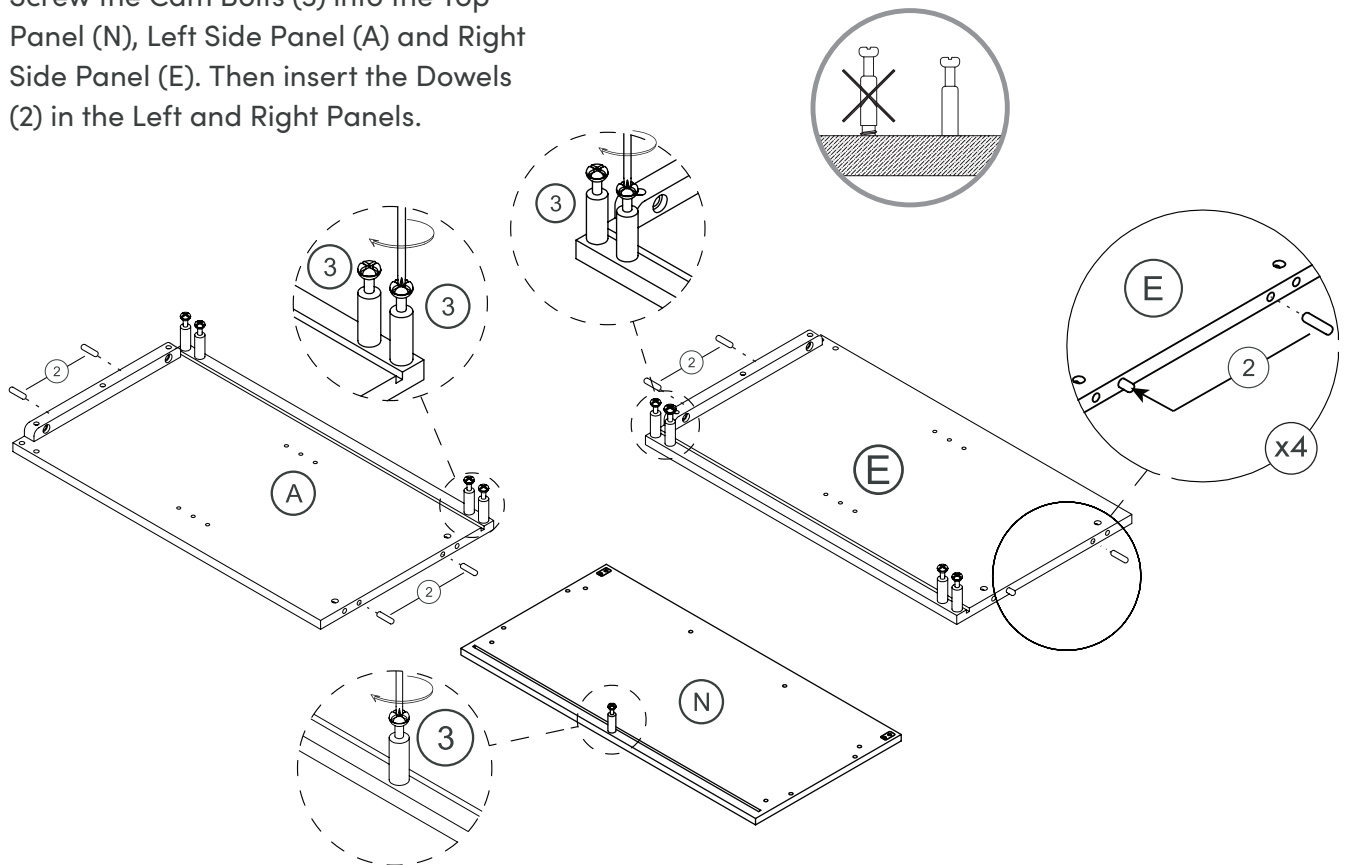
Step 1

Let's get this thing fired up! Attach the Magnetic Push Latch (1) to the Upper Front Stretcher (D) using the M3*15mm Screws (7).



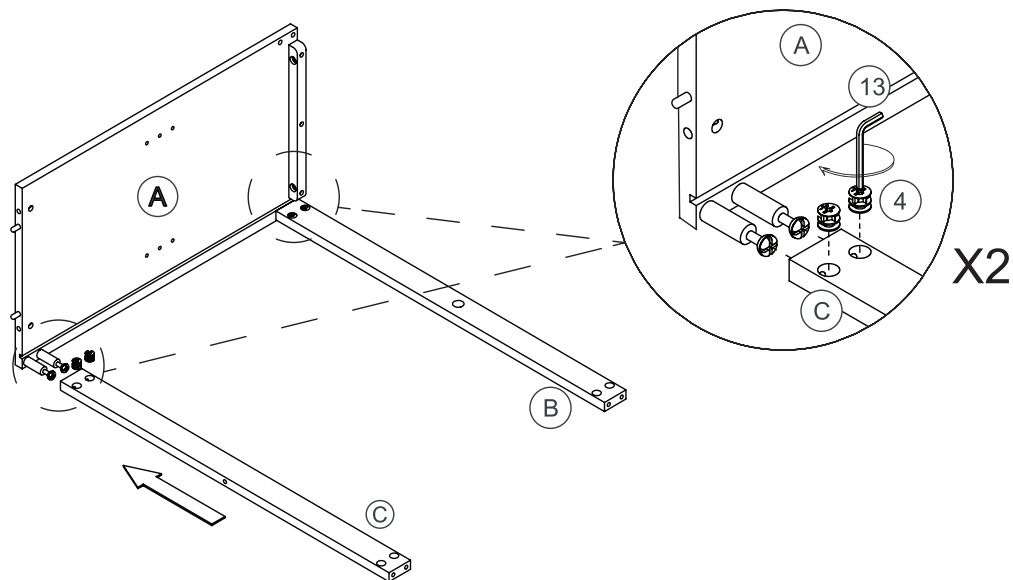
Step 2

Screw the Cam Bolts (3) into the Top Panel (N), Left Side Panel (A) and Right Side Panel (E). Then insert the Dowels (2) in the Left and Right Panels.

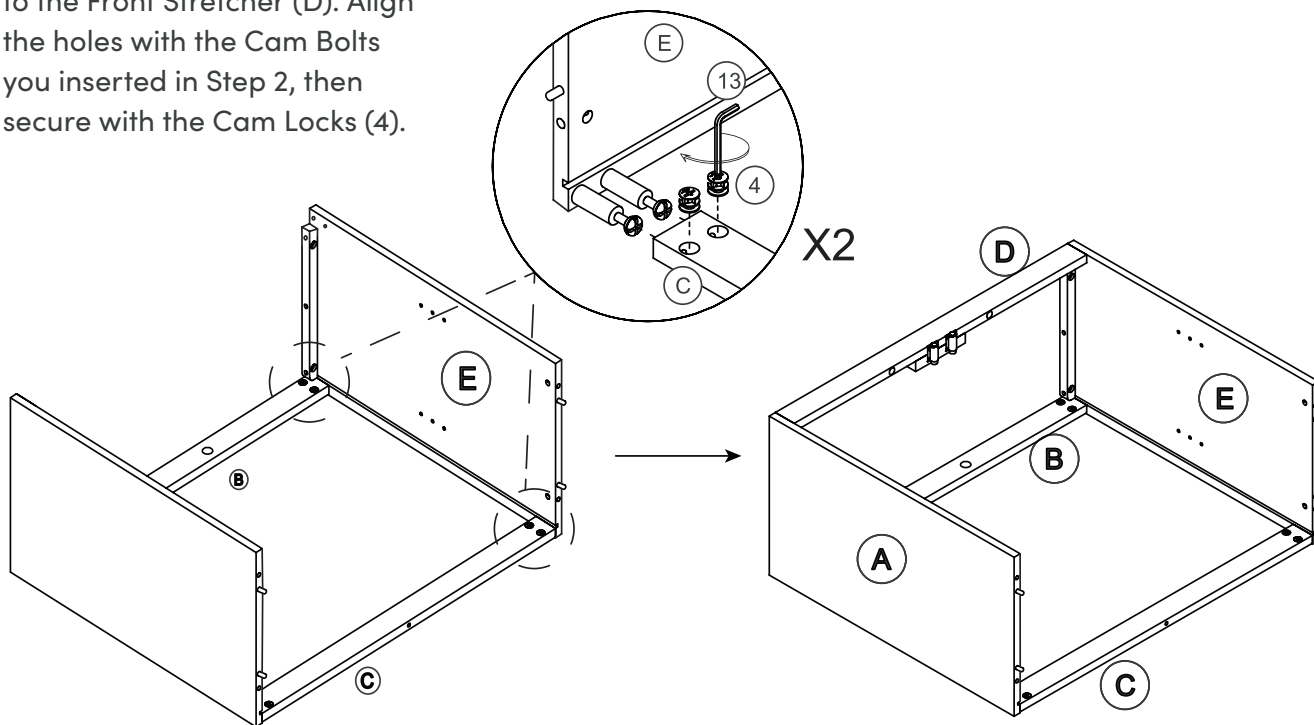


Step 3

Now attach the Left Side Panel (A) to the Upper Back Stretcher (B) and Lower Back Stretcher (C). Align the holes with the Cam Bolts you inserted in Step 2, then secure with the Cam Locks (4). See the following page for how to use cam locks.



Next, attach the Right Side Panel (E) to the Back Stretchers (B) and (C) BEFORE attaching to the Front Stretcher (D). Align the holes with the Cam Bolts you inserted in Step 2, then secure with the Cam Locks (4).



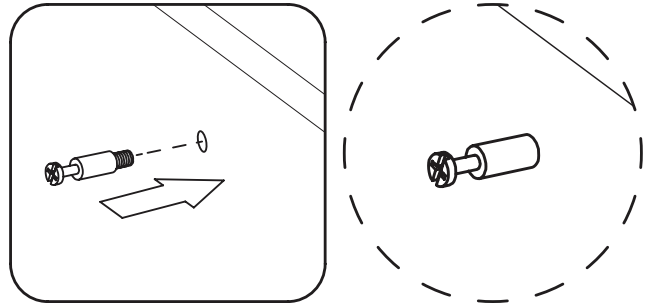
How to use cam locks

Did you know?

Cam locks are used to join two panels together, usually the edge of one to the flat side of another.

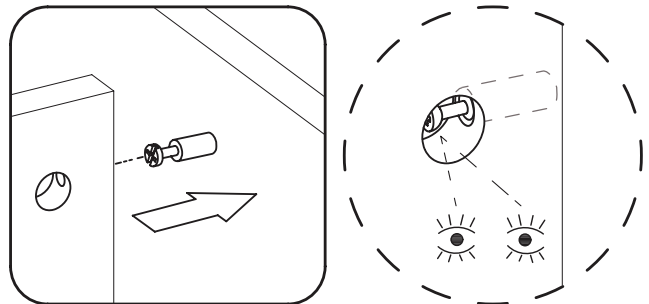
First, your cam bolt (or cam pin) will need to be properly inserted into the flat side of the board.

Important Note: Only tighten the cam bolt until it is secure. Do not over-tighten.



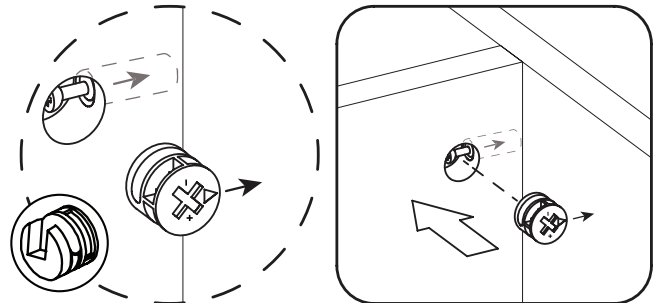
Next, you will fit the proper hole on the edge of the associated joining panel over the cam bolt.

Important Note: When installed properly, the head of the cam bolt will be visible through the larger hole on the side of the joining panel.



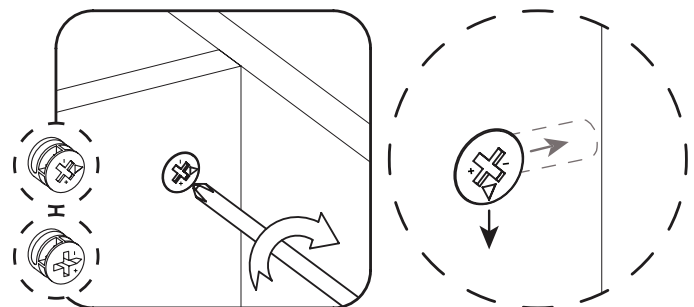
Next, you will notice the cam lock has a “C” shaped back. Commonly, an arrow on the front of the cam lock points in the same direction as the open section on back.

Using these as your cue, insert the cam lock into the large hole so the opening of the “C” fits over the head of the cam bolt.



Using a screwdriver, you will turn the cam lock until it stops, usually at 90° or 180°. You will feel the panels pulling closer until they are secured.

Important Note: Only turn the cam lock until the panels are fully engaged & feel secure. Turning too far may lead to hardware failure.



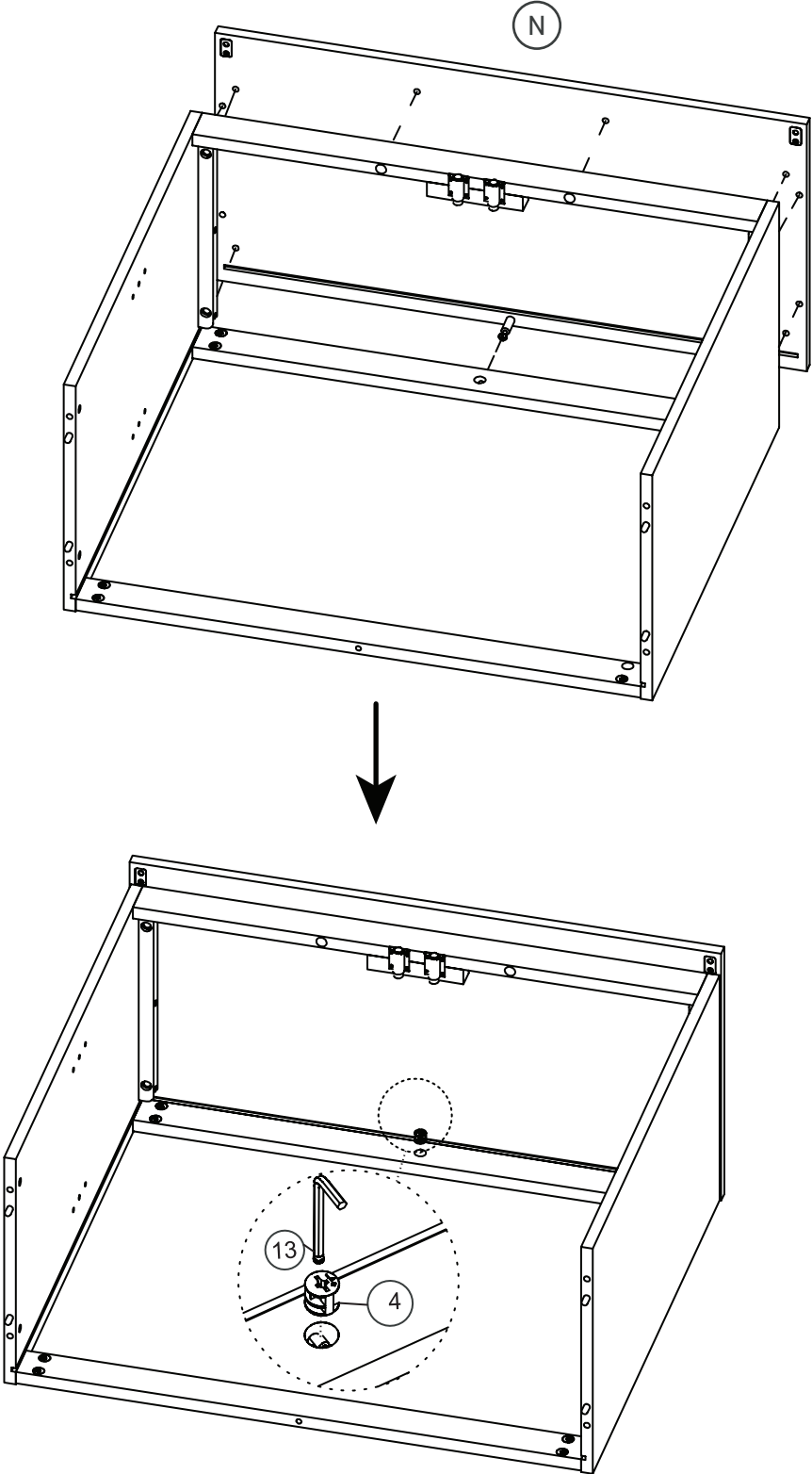
Still having issues?

If a cam lock seems to be spinning in place or is not “catching” or pulling the panels together as expected, first remove the cam lock & try again while making sure that everything is properly positioned & oriented.

If you are still having issues getting things working as expected, first remove the cam lock then unscrew the cam bolt slightly (less than 1 complete turn) to see if that helps with the alignment of the cam lock & bolt.

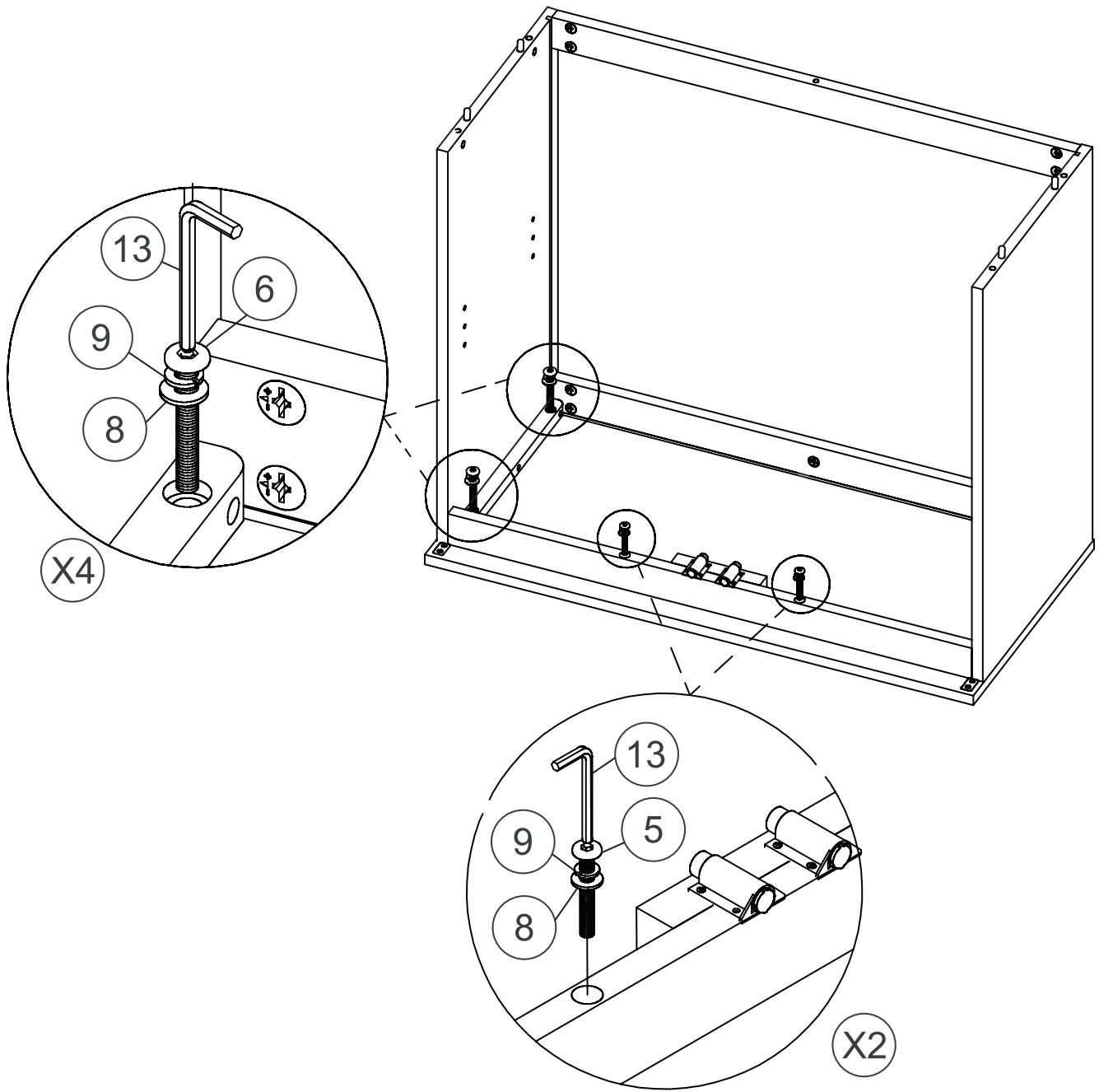
Step 4

Attach the Top Panel (N) to the cabinet. Align the holes with the Cam Bolts you inserted in Step 2, then secure with the Cam Locks (4).



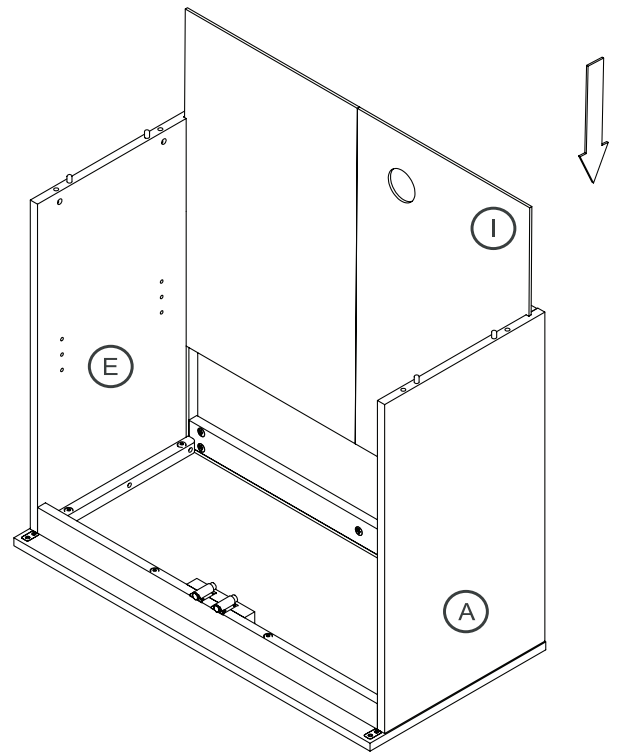
Step 5

Now grab a friend and turn the cabinet upright to further secure the Top Panel to the Side Panels. Use the Long Bolts $\frac{1}{4}$ "*38mm (5) and Short Bolts $\frac{1}{4}$ "*25mm (6). Insert Spring Washers (9) and Flat Washers (8) onto Bolts before assembling.



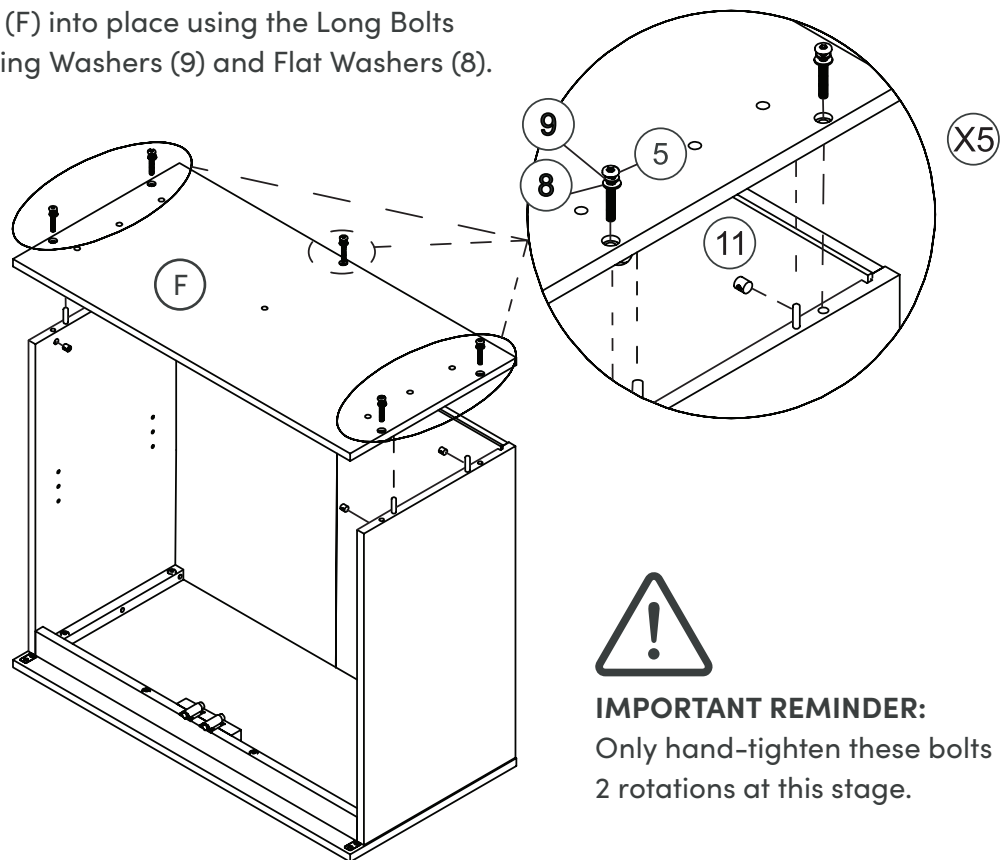
Step 6

Slide the Back Panel (I) in.



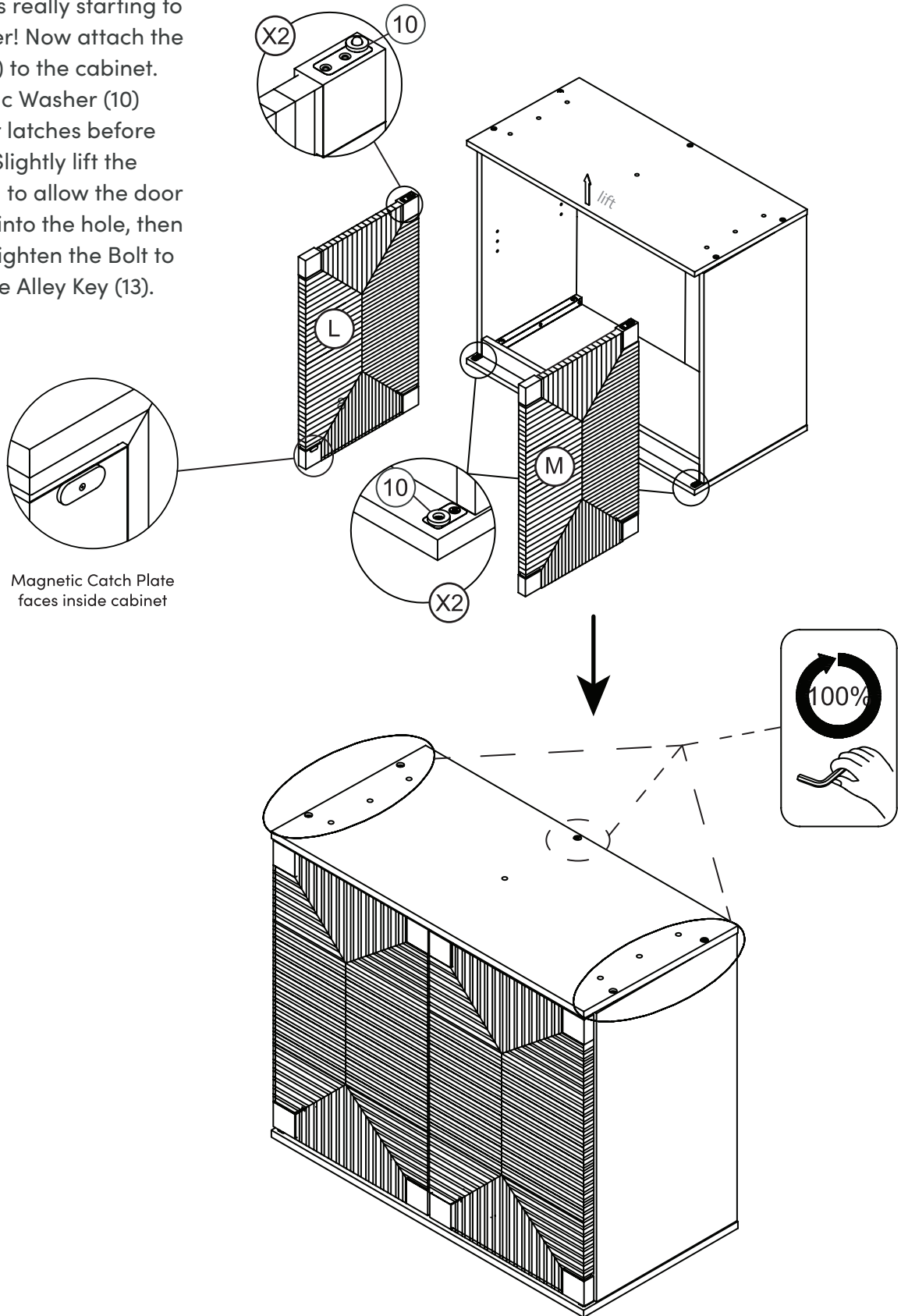
Step 7

Attach the Bottom Panel (F) to the cabinet you assembled through Step 6, but only hand-tighten the bolts 2 rotations for this step. First insert T Nuts (11) into the side panels. Then secure the Bottom Panel (F) into place using the Long Bolts $\frac{1}{4}$ *38mm (5) with the Spring Washers (9) and Flat Washers (8).



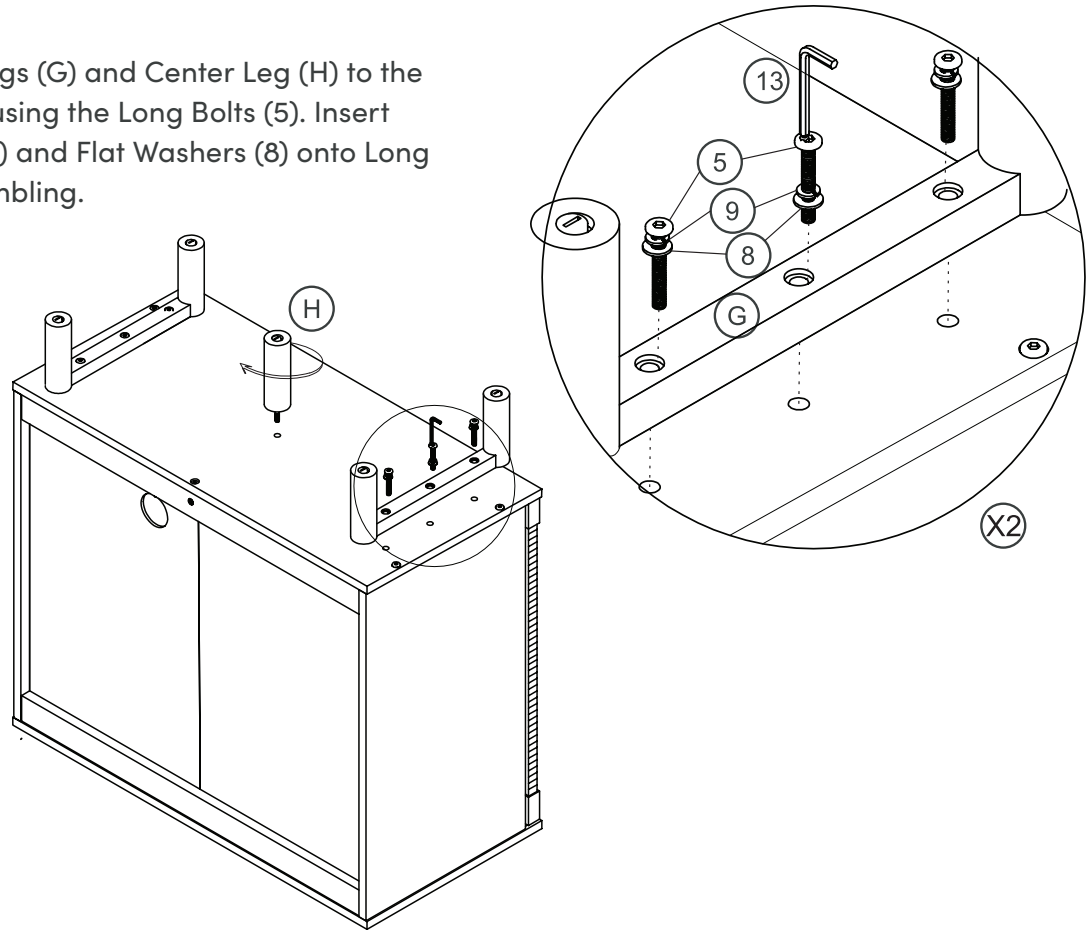
Step 8

This cabinet is really starting to come together! Now attach the Right Door (L) to the cabinet. Insert a Plastic Washer (10) onto the door latches before assembling. Slightly lift the Bottom Panel to allow the door latch to slide into the hole, then release and tighten the Bolt to 100% using the Alley Key (13).



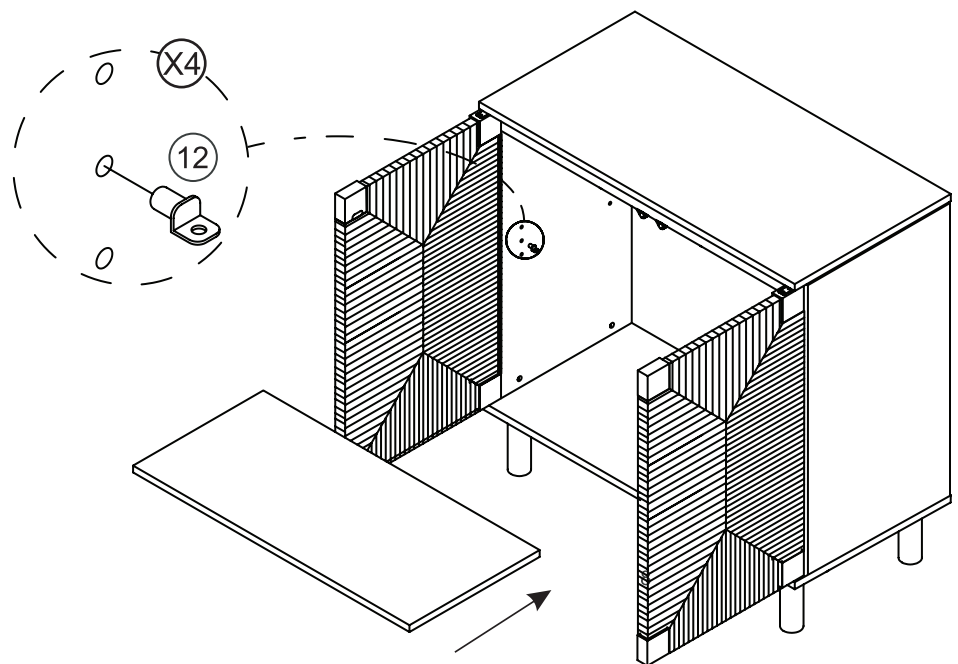
Step 9

Now attach the Legs (G) and Center Leg (H) to the Bottom Panel (F) using the Long Bolts (5). Insert Spring Washers (9) and Flat Washers (8) onto Long Bolts before assembling.



Step 10

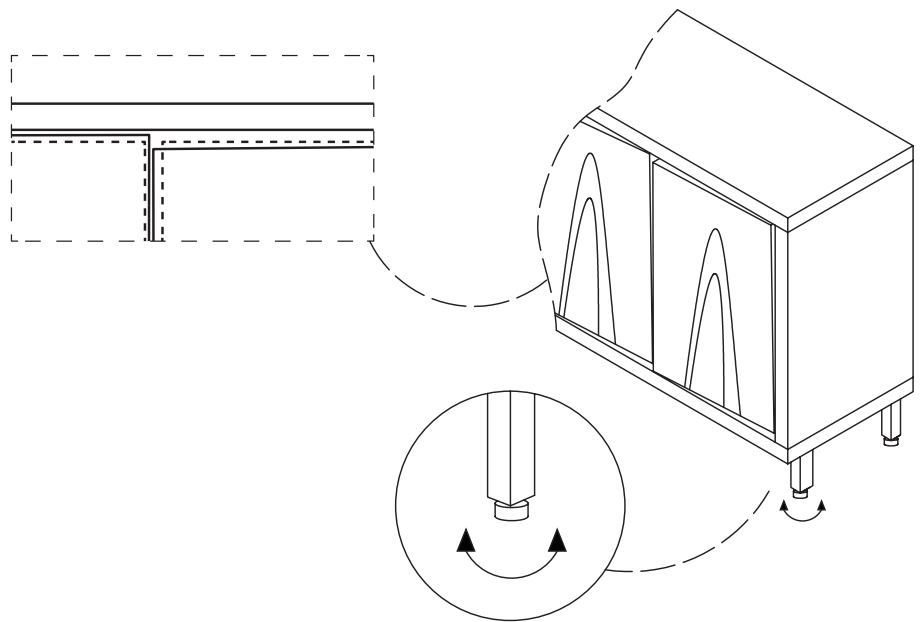
Now grab a friend and turn the cabinet upright. Insert the Shelf Support Tabs (12). Then slide the Shelf Panel (K) into the cabinet.



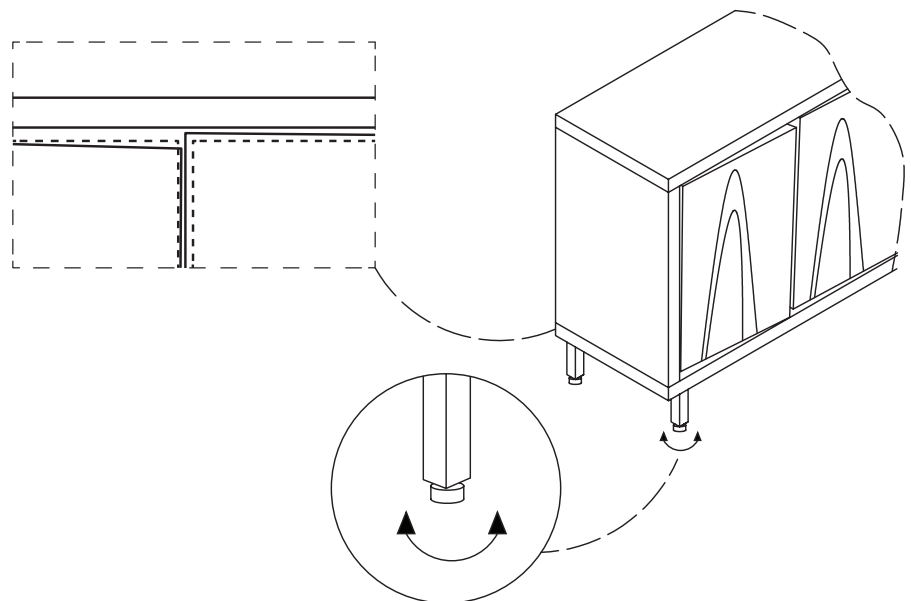
Is your cabinet door looking crooked or unevenly spaced?

If you're still having trouble lining everything up, your next step should be to try to adjust the feet slightly to square up the cabinet and doors. Follow the instructions below:

If the right door appears to be hanging low, you can adjust the adjustable leveler on the front right until the door is better aligned.



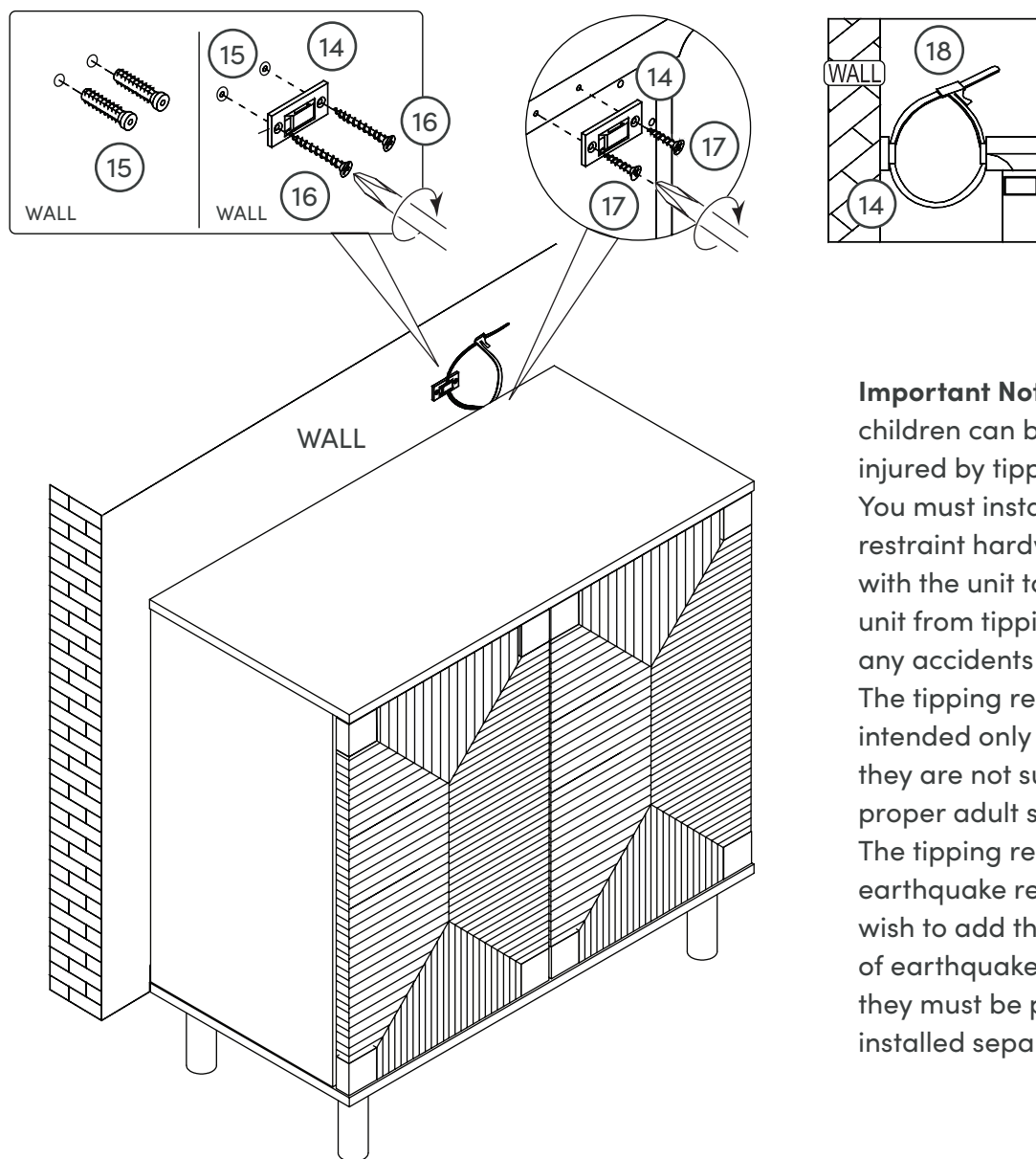
If the left door appears to be hanging low, you can adjust the adjustable leveler on the front left until the door is better aligned.



Step 11

And now for the final step! Time to install the tipping restraint hardware. First, insert the Plastic Anchors (15) into the wall. Next, attach the Plastic Bracket (14) to the Plastic Anchors (15) using the M4*40mm Screws (16).

Next, attach the Plastic Bracket (14) to the cabinet using the M3.5*15mm Screws (17). Finally, thread the Plastic Strap (18) through the Plastic Brackets (14) to secure the cabinet to the wall.



Important Note: Young children can be seriously injured by tipping furniture. You must install the tipping restraint hardware (included) with the unit to prevent the unit from tipping, causing any accidents or damage. The tipping restraints are intended only as a deterrent, they are not substitute for proper adult supervision. The tipping restraints are not earthquake restraints. If you wish to add the extra security of earthquake restraints, they must be purchased and installed separately.

No heartburn, when we handle the return

Give us a call **1-866-619-1004** or shoot us a message at **help@nathanjames.com** we will issue you a free replacement with **zero hassle**.

Our way



Give us a call



Replacement



You

Their way



Re-package item



Schedule pick up



Track package



Replacement



You

We really don't want you to go through the hassle of re-packaging your item and sending it back, because let's be honest...nobody has time for that.

Safety first, fun later

We want your Beacon Storage Unit to last as long as possible, so we recommend that you tighten the screws 2 weeks after assembly and for added safety check the tightness of all screws every 2 months.

For proper care and treatment please check our website at NathanJames.com/products

Safe use of this product starts with you.

Use this Beacon Storage Unit responsibly with the primary concern for your safety. Follow assembly instructions carefully and inspect product upon receipt and each use.

Nathan James and its parent companies cannot be held legally responsible for any injuries or death resulted from failure to follow instructions or improper use of this product.

Do not modify the structure of this product in any way.

Our products have been tested to meet specific safety measures as they were originally intended to be sold. Any modifications will present the risk of creating significant safety issues which NJ will not be responsible for.

Proper use

- DO NOT** use for commercial purposes
- DO NOT** frolic on storage unit
- DO NOT** use storage unit as foot stool
- DO NOT** leave spilled liquid on storage unit
- DO NOT** use storage unit if damaged
- DO NOT** make temporary repairs
- DO NOT** use outdoors

We are only in business if you're happy

For starters, thanks for being you.

☎ Toll-free at 1-866-619-1004

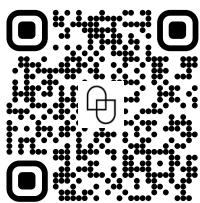
✉ Help@nathanjames.com

🌐 NathanJames.com/help

We do our best to ensure your furniture arrives without any problems, but occasionally mistakes happen—as humans we are imperfect beings. In the event that a part is damaged or missing, we will be more than happy to provide you with replacement part(s) for free.

Warranty

This product comes with a lifetime warranty from the date of purchase. Please use your phone to scan the QR code to register your product or visit <https://goo.gl/i9dk3q>



Did we do alright? Please spread the love!

If you are happy with your product, tell your friends and family about us or even better leave us a review online. Spreading the word gives us the opportunity to make more people happy and keep our prices low for your next purchase.

Brooklyn Burden

Founder, Nathan James