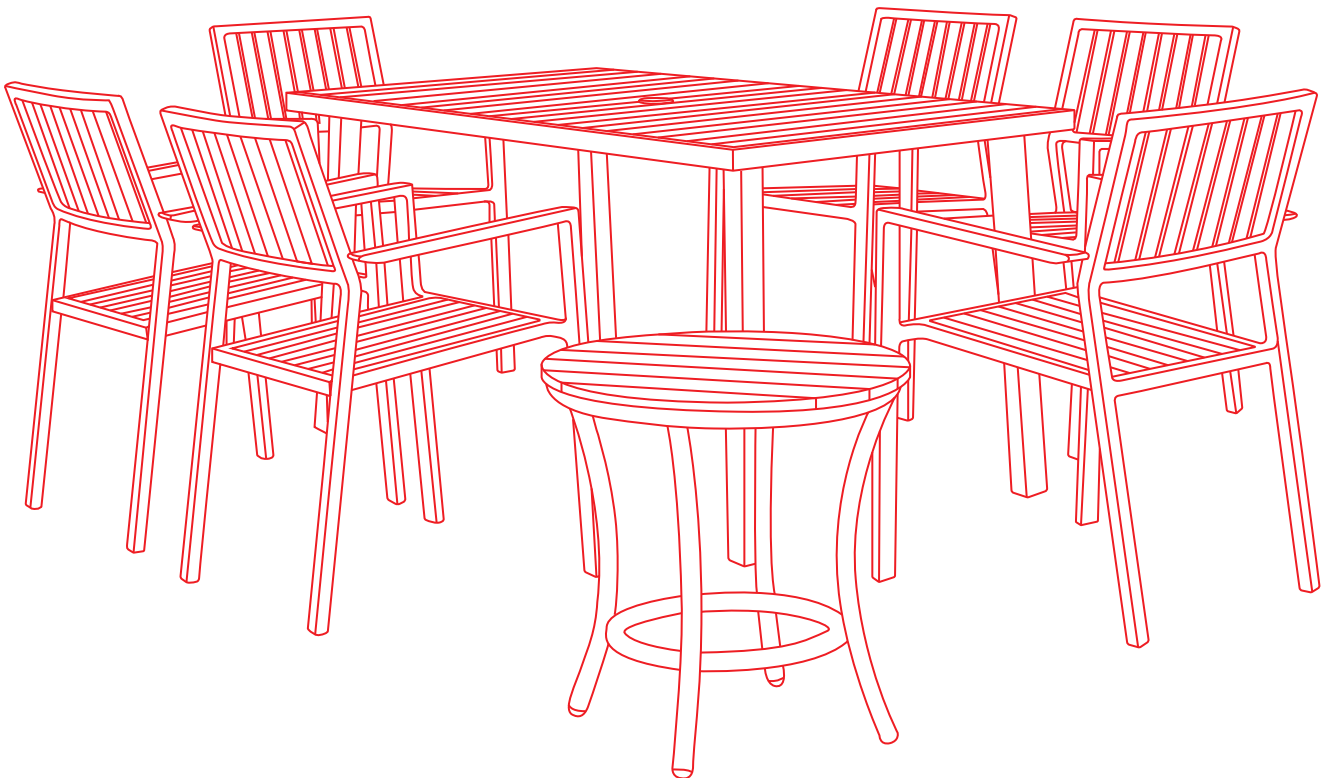


Thank you very much
for purchasing our *Patio Dining Sets*.

OWNER'S MANUAL

Patio Dining Sets



Safety precautions

⚠ WARNING

- Please read and understand this entire manual before attempting to assemble or install the product.
- Some parts may contain sharp edges. Please wear protective gloves when assemble or install the product.
- Assemble the item on a soft, non-abrasive surface such as carpeting to avoid damage.
- Keep all children and pets away from assembly area. Children and pets should be supervised when they are in the area of the sofa set construction.
- Item is heavy. Please handle with care. Two or more people are required for this assembly.

CAUTION

- Chair is for seating purpose only. Do not stand on or use any part of this item as a step ladder.
- Recommended maximum sitting weight for the chair set is 220lbs/100kgs. Please do not exceed the weight limitations of this item.
- Firmly secure all bolts, screws and knobs before use.
- Reconfirm that all bolts, screws, and knobs are secure every 90 days.
- Do not use or store this item in the proximity of open flame or flammable/combustible chemicals.
- If any parts are missing, broken, damaged, or worn, stop using this product until repairs are made and/or factory replacement parts are installed.

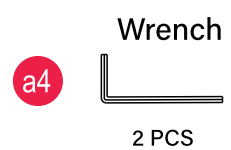
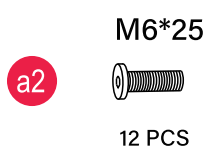
ATTENTION

- Before assembling of product, compare every part with parts list. If any part is missing or damaged, do not attempt to assemble the product and contact us immediately.
- We care about every customer's using experience, please feel free to chat us if have some advice, efficient solution would be offered soon.
- Recommend to use waterproof furniture cover for entire patio dining set when out of use to keep them longer performance.

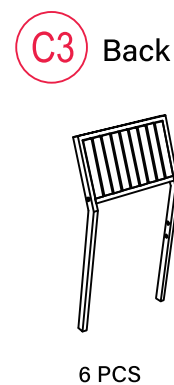
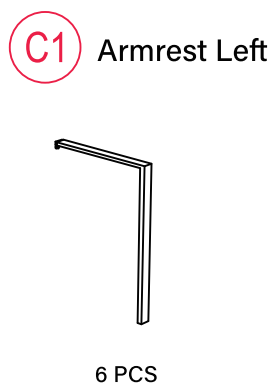
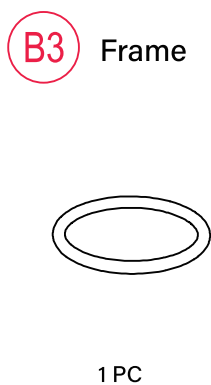
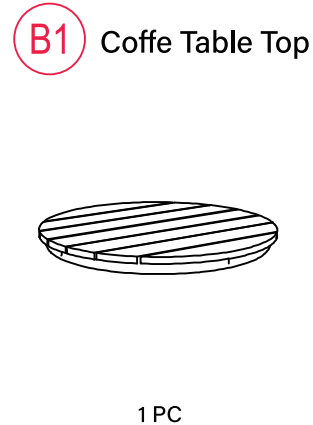
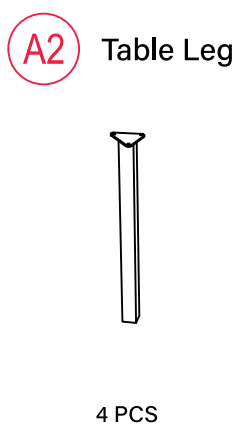
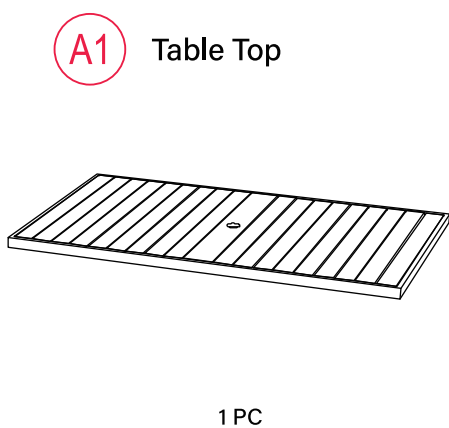
Warranty Coverage Requirements:

- Pictures of the damaged parts.
- The name or MOLDE number of your product.
- Please gather all of this information BEFORE you contact us.
- Do not use this item in a way inconsistent with the manufacturer's instructions as this could void the product warranty.

HARDWARE



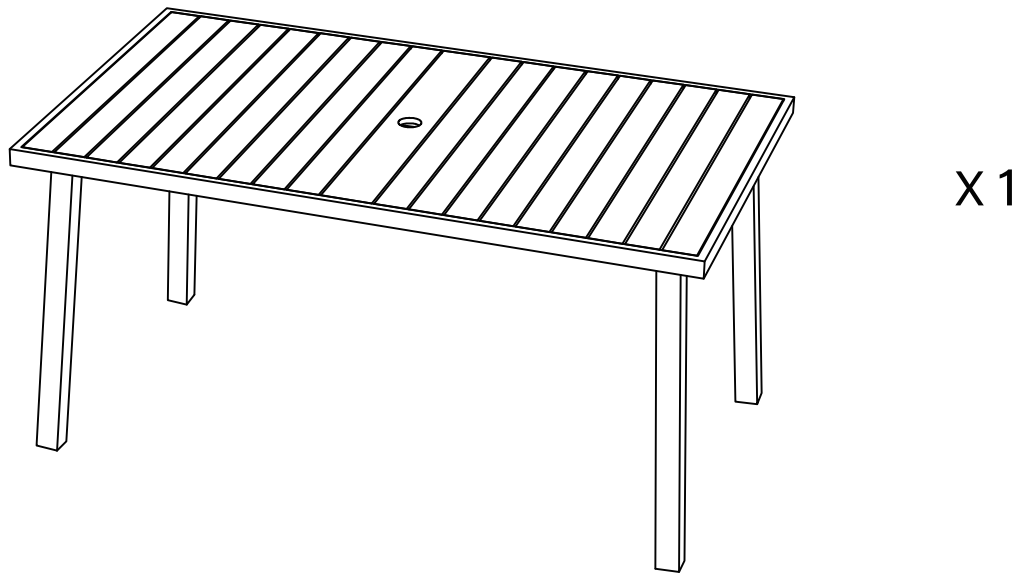
PARTS



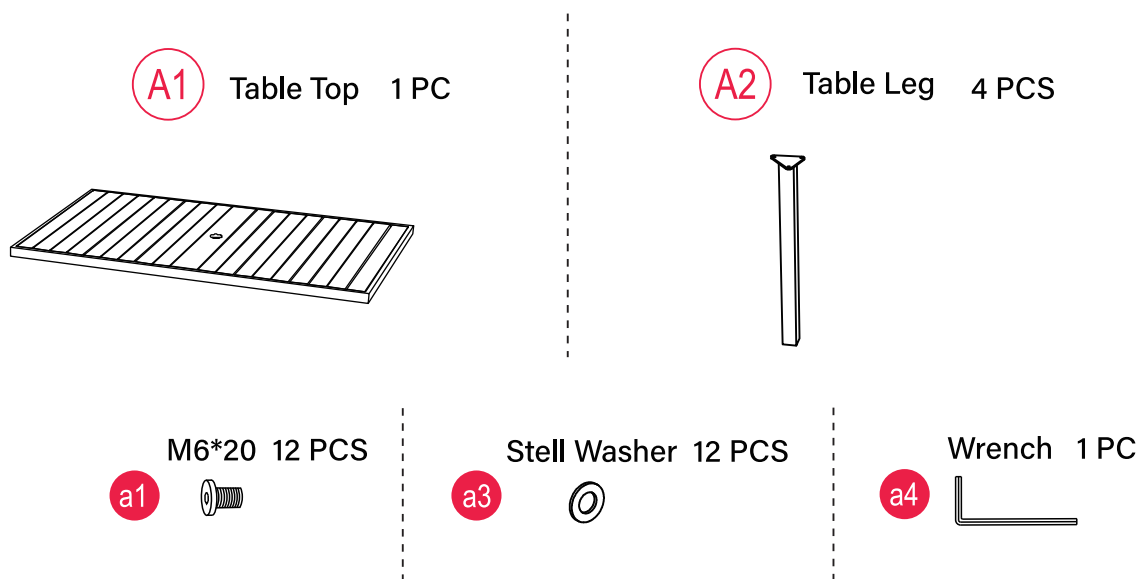
Instructions **Patio dining table**

- The patio dining set is delivered with two boxes. There are one table and one coffee table in one box, and six chairs in another box.
- The accessories list and installation instructions of table and coffee table are as follows.

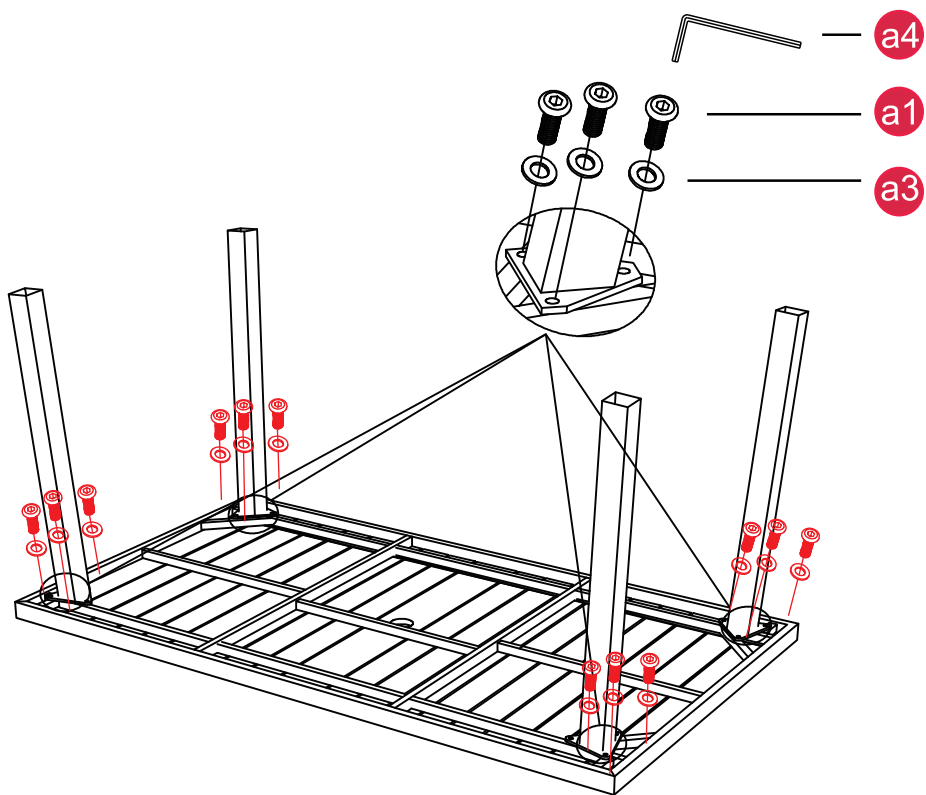
Number



Parts



■ Step1

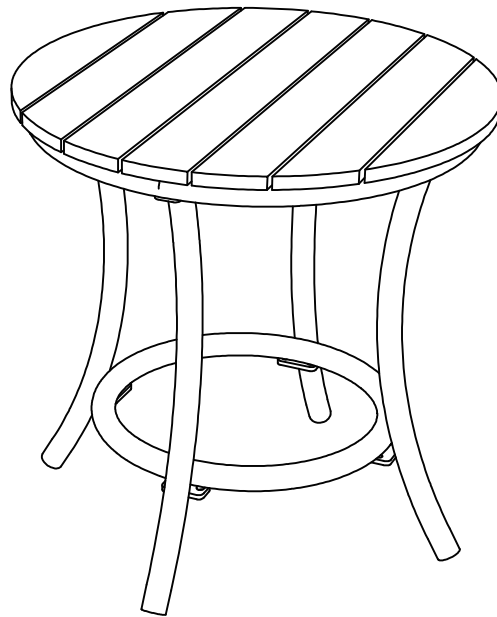


NOTICE: Please assemble the item on a soft, non-abrasive surface such as carpeting to avoid damage.

Instructions

Patio coffee table

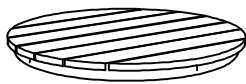
Number



coffee tableX 1

Parts

B1 1PC



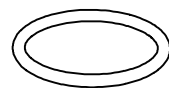
Coffe Table Top

B2 4PCS



Coffe Table Leg

B3 1PC



Frame

M6*20 12 PCS



Stell Washer 12 PCS



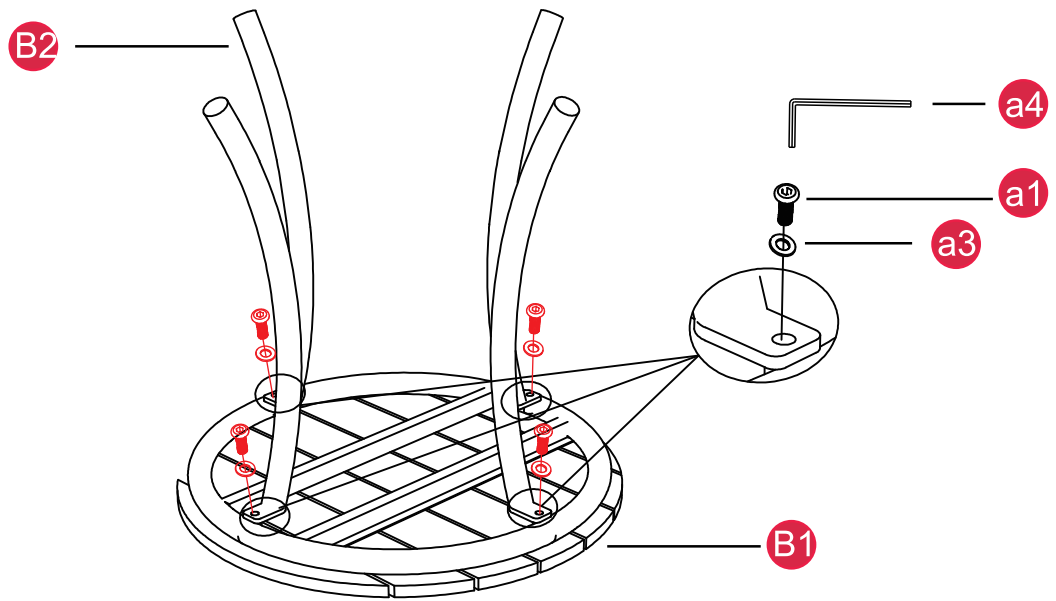
Wrench 1 PC



Instructions

Patio coffee table

Step 1



NOTICE: Please assemble the item on a soft, non-abrasive surface such as carpeting to avoid damage.

Step 2

