

make the best products for senior

Installation guid



Preface

Thanks for you choosing our production. You will enjoy our after-sales service thoughtfully. Before using the product , please read this installation guide carefully and keep it.

Warranty

1:The warranty period of this product will start from your purchase day. Accessories 90days .Main frame 365days.

Please show your purchased receipt of this product when you need to warranty service.

2:Following conditions which can not be served by Free Warranty.

- ① Modify the structure of this product by yourself.
- ② Not according with guide to use and maintain this product.
- ③ The product is damaged, scratched by some unpredictable reasons.

3:The warranty period is expired.

But our company can support the compensable warranty service.

4:If you have any issues or suggests, please contact our reseller or vendor im mediately.

Record card

Booking number: _____

Name: _____

Phone number: _____

Purchased date: _____

Customer's address: _____

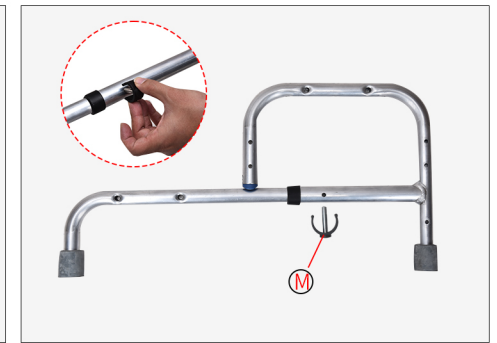
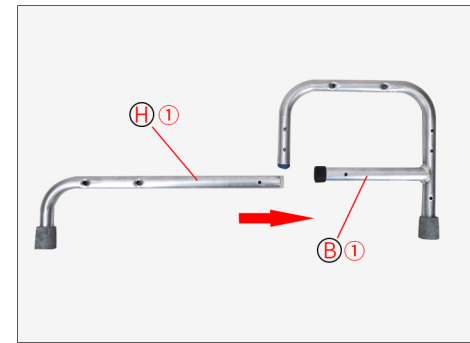
Parameters:

Total height	Total width	Total length	Tube diameter	Net weight	Weigh capacity
111-121cm	41.5cm	56.5cm	2.54cm	4.0KG	125KG

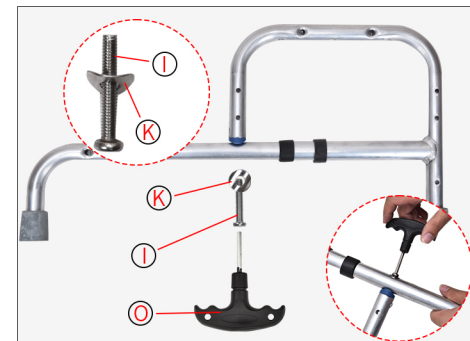
Installation steps



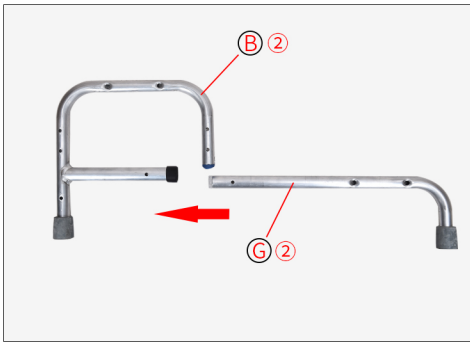
1. Accessories: square plate * 2, side frame left * 1, side frame right * 1, connecting pipe * 4, rear connecting pipe * 1, handrail pipe * 1, lower H connecting pipe * 1, upper H connecting pipe * 1, leg pipe left * 1, leg pipe right * 1, short screw * 22, long screw * 4, gasket * 22, nut * 4, C-shaped buckle * 6, gasket * 2, plastic wrench * 1, tool wrench * 1



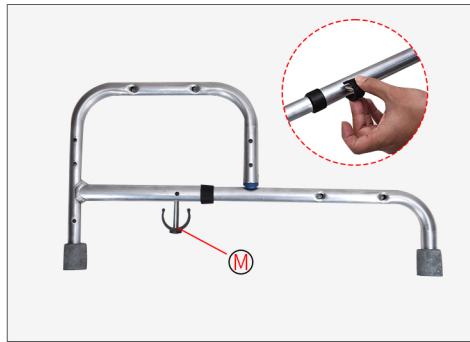
2. Take out the left side frame and the right side frame and insert them following the direction indicated by the arrow.
 3. Insert the C-shaped buckle into the left leg pipe, and insert them following corresponding hole.



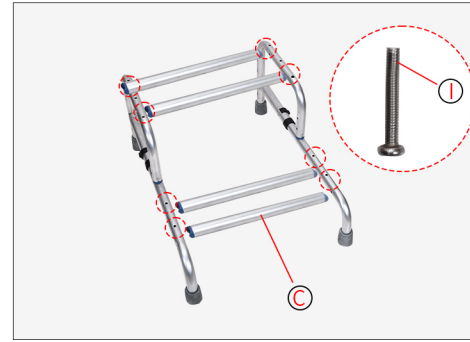
4. Use short screws to lock in the holes on the gasket before locking the screws.
 5. Installation of the left frame is finished as shown in the picture.



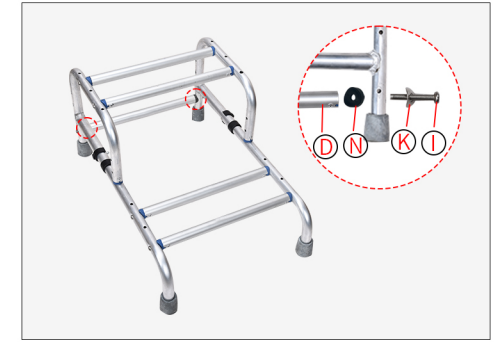
6. Take out the right side frame and the right leg tube, and insert them following the direction indicated by the arrow.



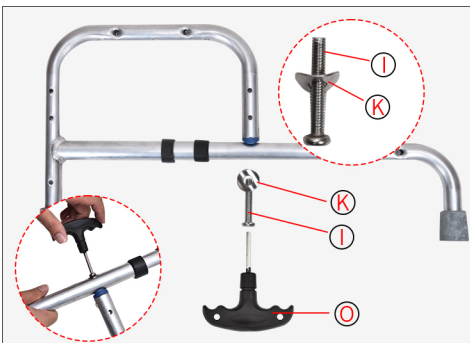
7. Insert the C-shaped buckle into the corresponding hole.



10. Take out the connecting pipe, place it in the position shown in the picture, and tighten it with short screws in sequence.



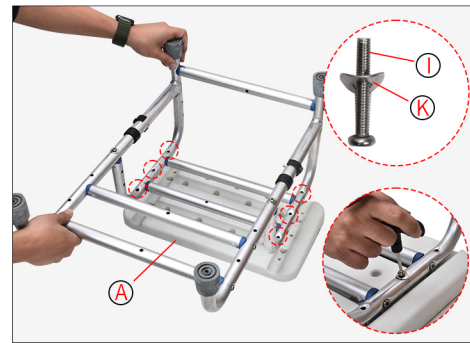
11. Then take out the rear connecting tube and place it in the position indicated in the picture.



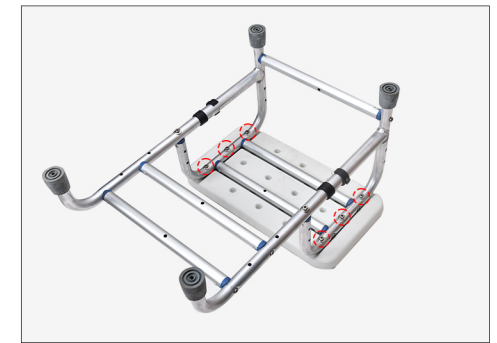
8. Use short screws to lock in the holes in the other direction in sequence. Put on the gasket before locking the screws.



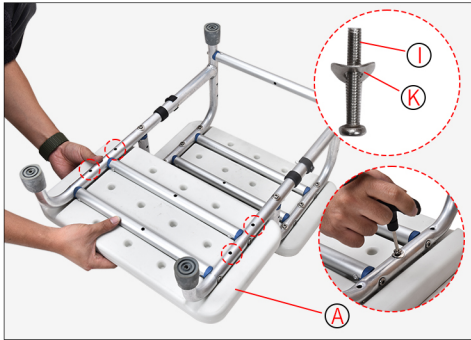
9. Installation of the right frame is finished as shown in the picture.



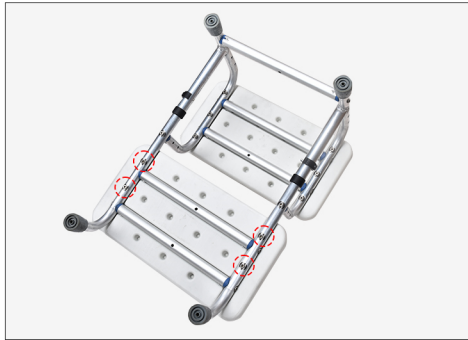
12. And lock it with short screws and gasket in sequence.



13. Installation is finished as shown in the picture.



14. Take out the square plate, place the main frame installed in the previous step on the square plate, and lock it with short screws in sequence. Before locking the screws, you need to put on the gasket.



15. Installation is finished as shown in the picture.



18. Take out the lower H connecting pipe, place it in the position indicated in the picture, and lock it with long screws and nuts in sequence. Gaskets need to be put on before locking the screws. Gaskets need to be put on both ends of the screws.



19. Installation is finished as shown in the picture.



16. Take out another square plate, place it in the position indicated in the picture, and tighten it with short screws. Before tightening the screws, you need to put on the gasket.



17. Installation is finished as shown in the picture.



20. Take out the upper H connecting pipe, insert it following the direction indicated by the arrow and insert C-shaped buckle into the corresponding hole.



21. Take out the handrail pipe, put it into the pipe following the direction indicated by the arrow, and insert C-shaped buckle into the corresponding hole.



22. Installation is finished as shown in the picture.



23. Stick the fluorescent strip on the corresponding position of the square plate.

