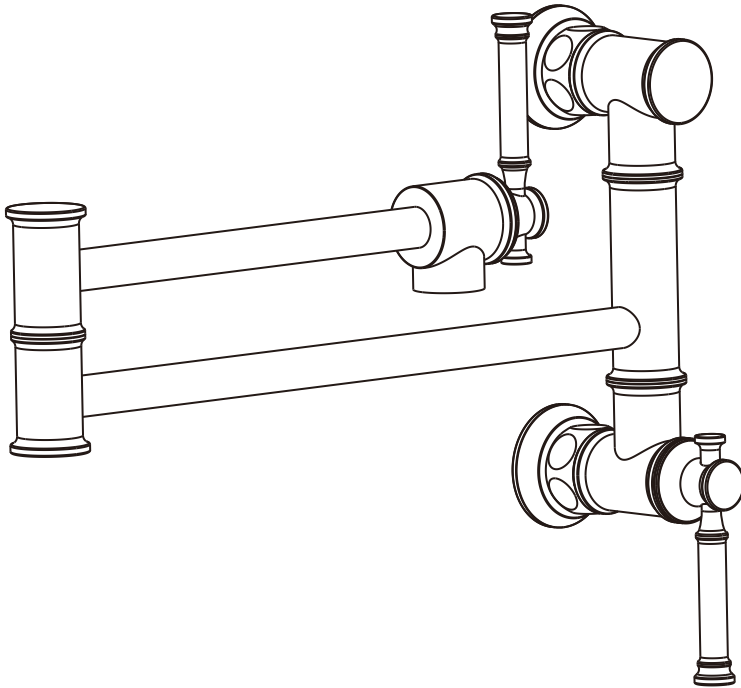




Model No.:KSPF312

Made with Pride

INSTALLATION AND CARE GUIDE Two Handle Pot Filler Faucet



Thank You

We recommend our products be installed by a professional.

We appreciate the trust and confidence you have placed in our OAKLAND products. We strive to continuously create quality products designed to enhance your home at an affordable price. Please visit our distributor's website to see our full line of products available for your home improvement needs.

WWW.SINKAUTHORITY.COM

Helpful Tools

Tools:

Gather the necessary tools as shown below to complete the installation of the faucet.



Plumber's Putty



Flashlight



Electric drill



Safety Glasses



Screwdriver



Pliers



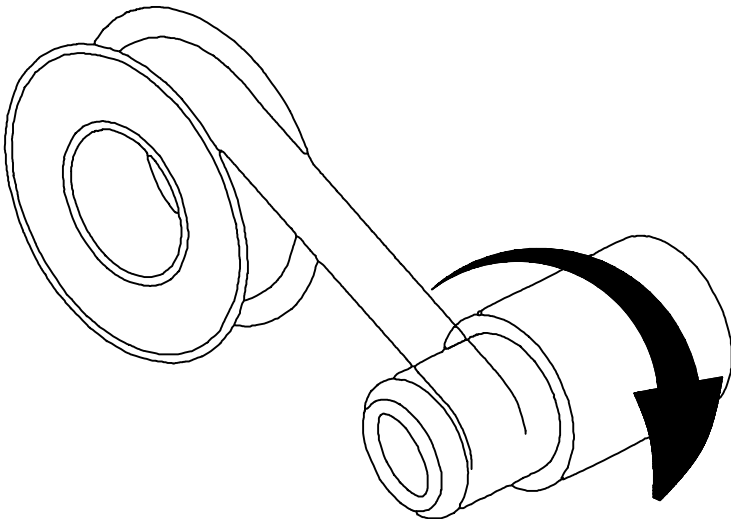
Hammer



Adjustable Wrench

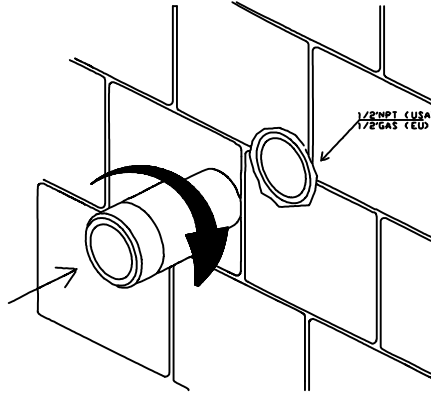
Pre-Installation

1. Wrap thread sealant tape around the pipe thread (1/2" NPT end) of the brass nipple (included) in a clockwise direction, as shown.

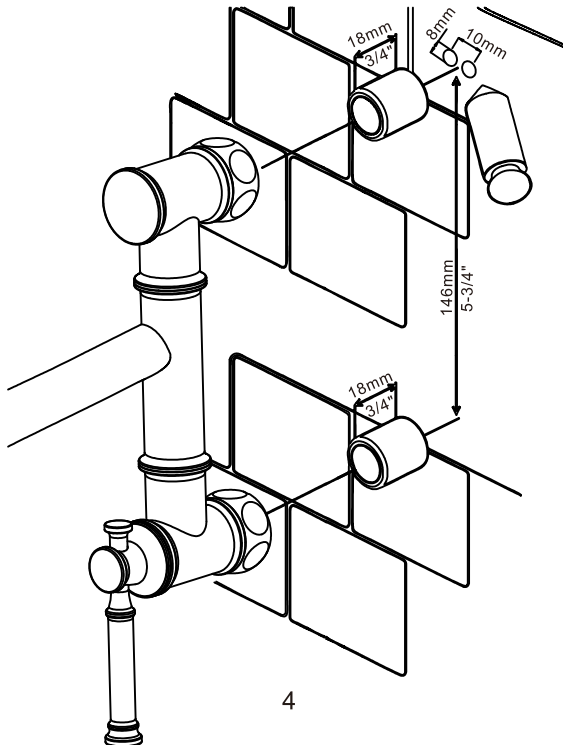


Installation

2. Install the 1/2" NPT end of the brass nipple into the pipe elbow inside of the wall with a wrench.

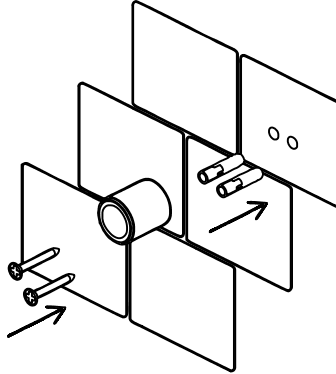


3. Verify the right position of the 2 screws (included) for the upper base connection. And drill two small holes for the 2 screws.

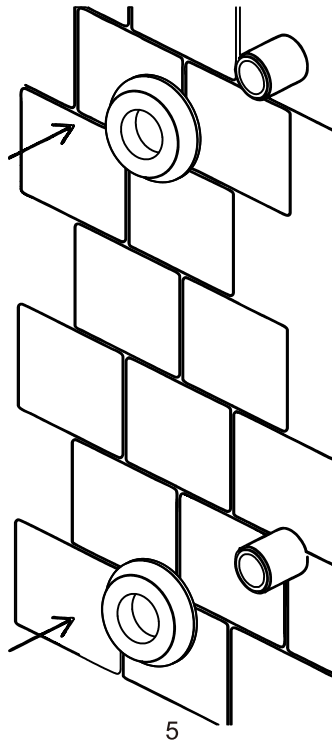


Installation

4. Insert the plastic caps (included) into the 2 holes with a hammer.
5. Screw two screws through the brass connector (included) to the plastic caps.



6. Place the two flanges to the brass connector and the nipple.

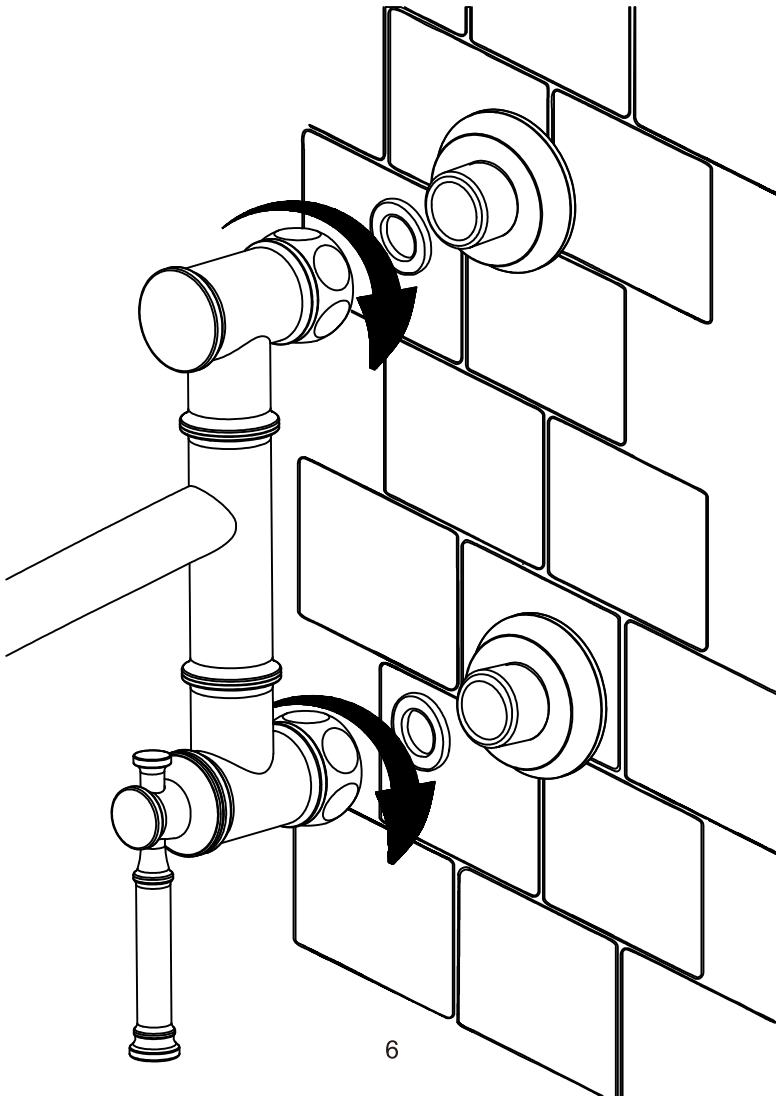


Installation

7. Thread the two locking nut of the two bases onto the the brass connector and the nipple. Make sure the washer is in the right position. It is very important.

8. Checking for leaks

Turn on the two handles and check that the faucets is operation properly and that no leakage is detected from any of its parts.





Made with Pride

Description

- **Unique Double Base Design** – Two-hole base installation to stabilize the pot filler to avoid shaking during operation and prevent leaks at the connection due to long-time use. Unique design makes a striking impact to your kitchen.
- **Ease of Installation:** 1/2 NPT Threads (Standard U.S. Size), designed to fit single-hole, wall-mount configurations using cold water only. Upper base mounted on wall with screws for stabilization of the pot filler faucet. The newly designed attached nut makes it easier for connection tightening with no need to rotate the pot filler faucet, which is very convenient for any plumber or even a DIY installation (see the detailed installation video).
- **Premier Brass Construction** – Constructed from solid brass, which is rust-free and corrosion resistant for durability. It's cUPC/NSF/ADA compliant and 100% lead-free. The brushed gold stainless finish is fingerprint and water spot resistant for a cleaner looking kitchen.
- **Dual ceramic valves** of each handle provide an excellent water flow rate at Max. 2.2 gpm to quickly fill large pots over the stove. The aerator creates quiet bubble streams with less splashing. Dual swing joints allows for a maximum reach of up to 22 1/2 inches from wall and can easily fold away when not in use.

 **Oakland**[®]

Made with Pride