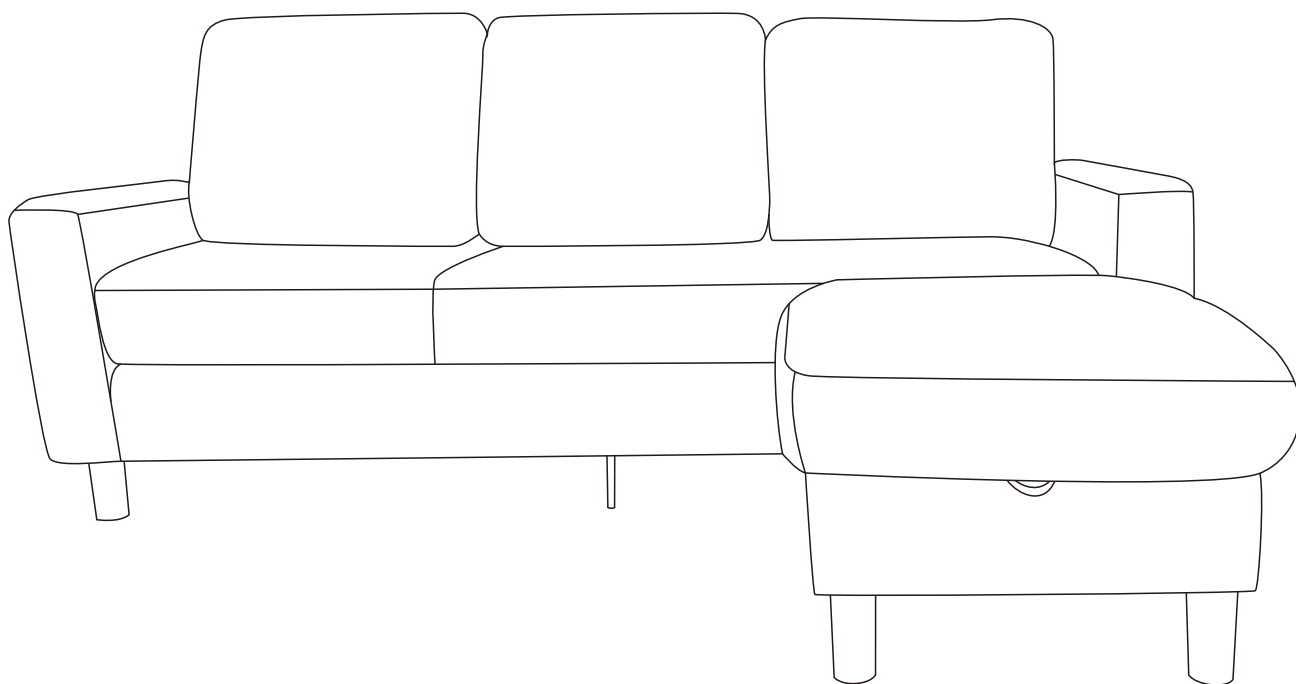


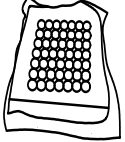
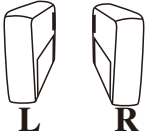
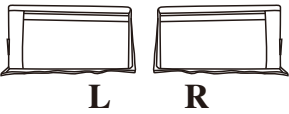
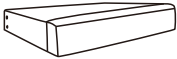
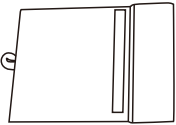


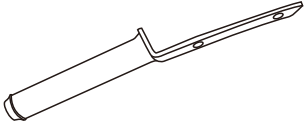
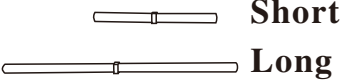


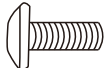
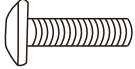







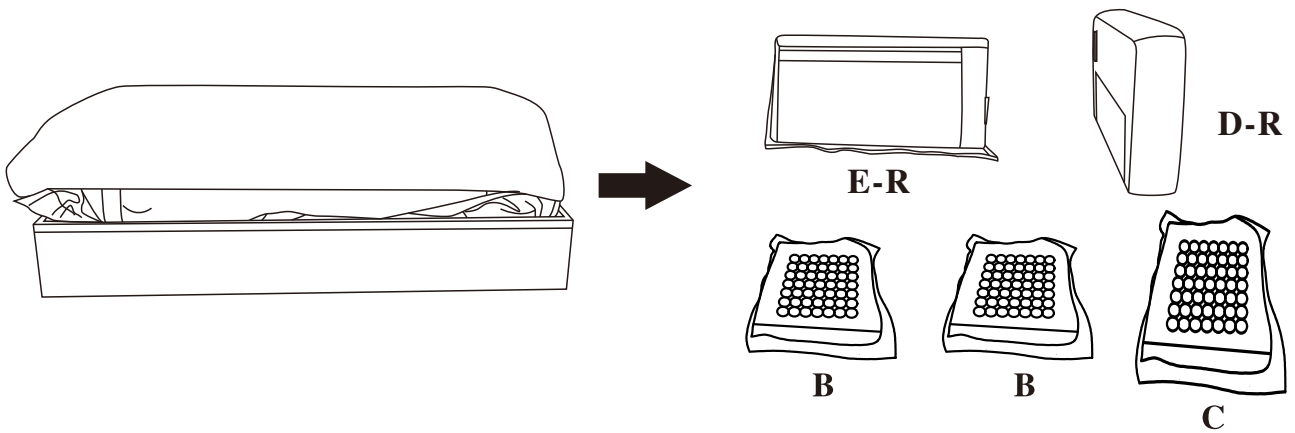
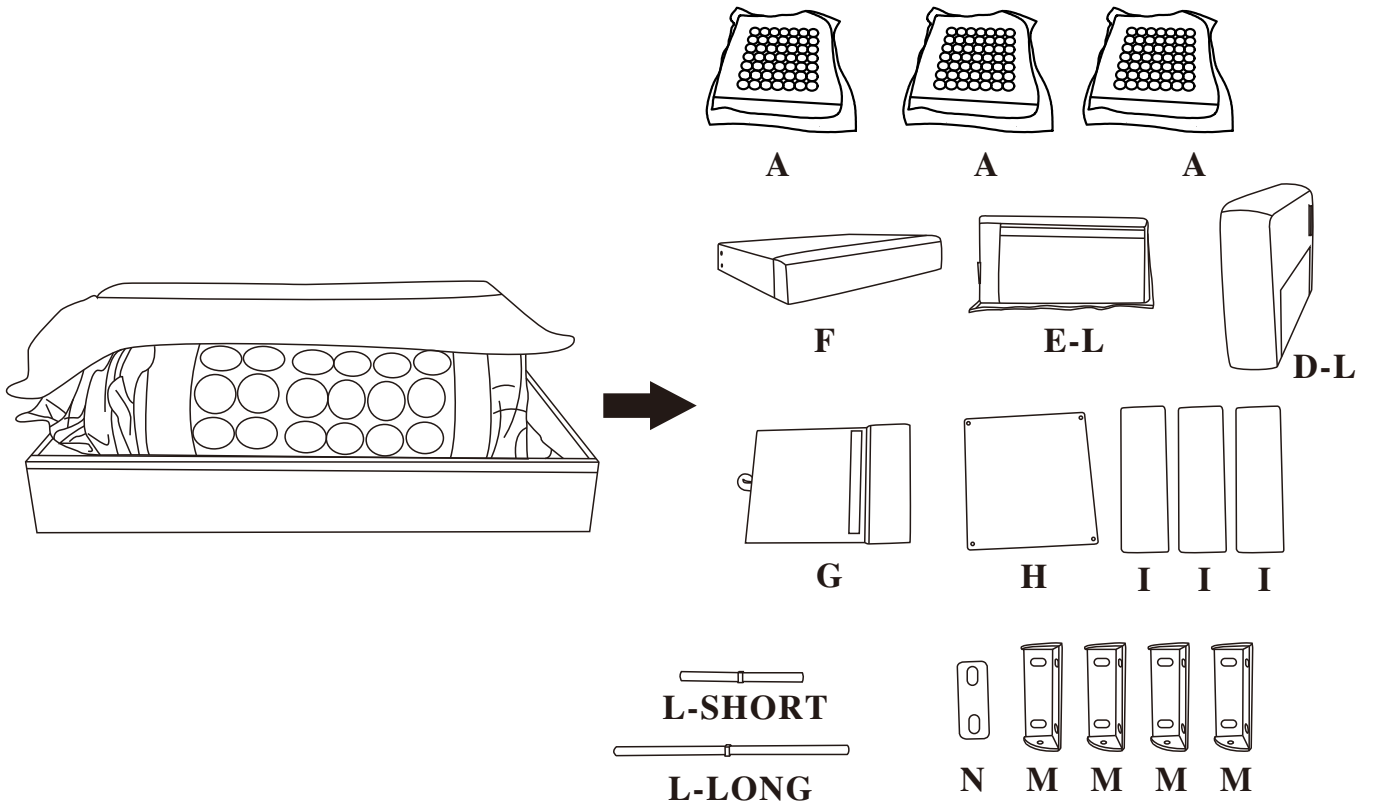
# Assembly Instruction



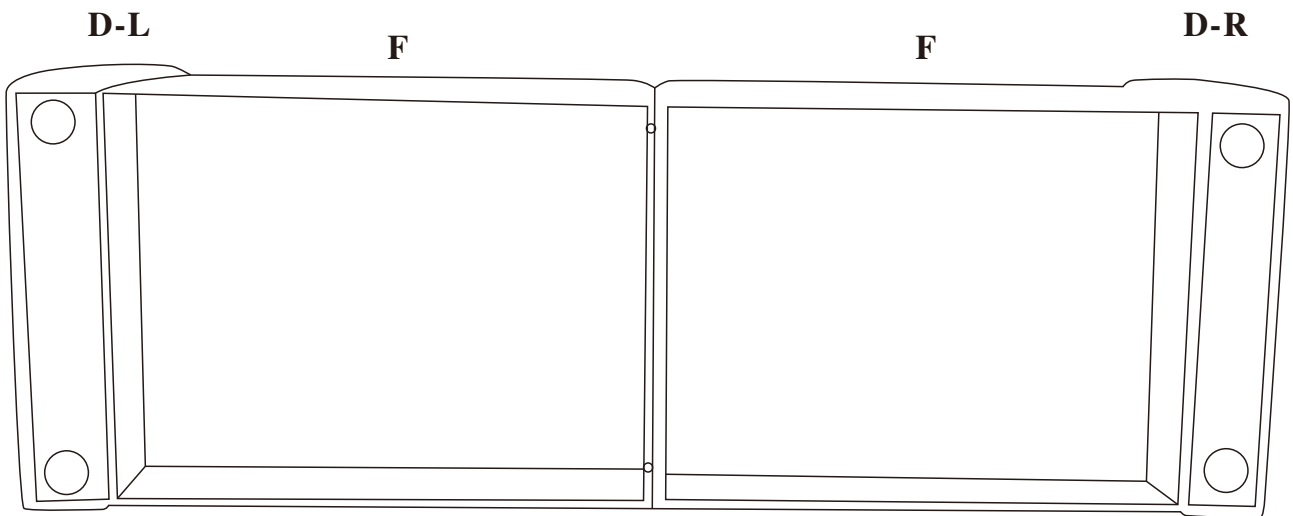
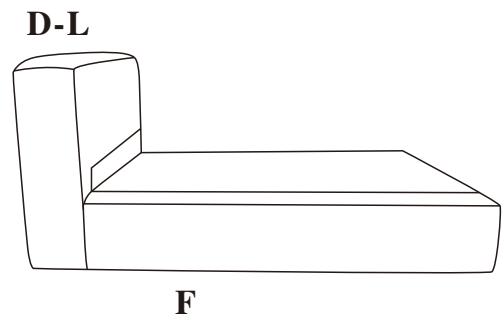
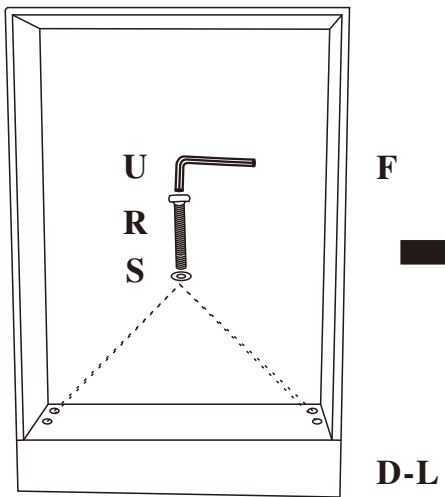
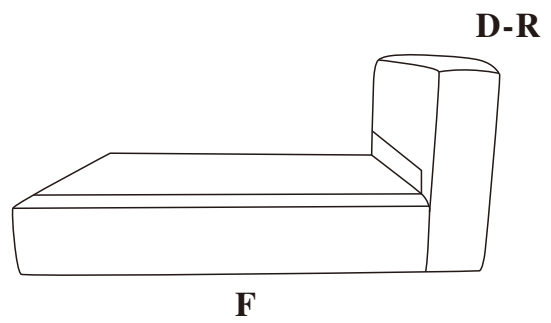
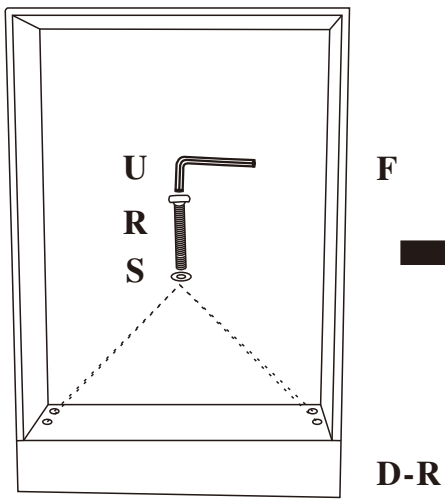
NO	PARTS	QTY	DESCRIPTION
A		3	BACKREST PILLOW
B		2	CUSHION
C		1	LONG SEAT CUSHION
D		1	LEFT ARMREST AND RIGHT ARMREST
E		1	LEFT BACKREST AND RIGHT BACKREST
F		2	SEAT FRAME
G		1	
H		1	
I		3	
J		8	PLASTIC FOOT
K		2	MIDFOOT
L		1	
M		4	

N		1	
O	 <b>M6x16mm</b>	16	<b>SCREWS</b>
P	 <b>M6x20mm</b>	2	<b>SCREWS</b>
Q	 <b>M6x35mm</b>	4	<b>SCREWS</b>
R	 <b>M8x35mm</b>	8	<b>SCREWS</b>
S		14	<b>SHIM</b>
T		8	<b>PLASTIC SPACER</b>
U		1	<b>ALLEN KEY</b>

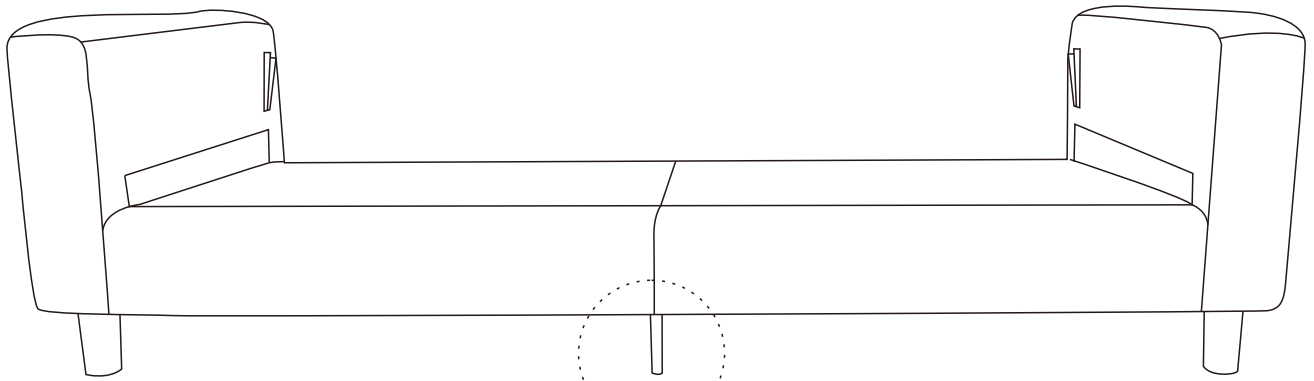
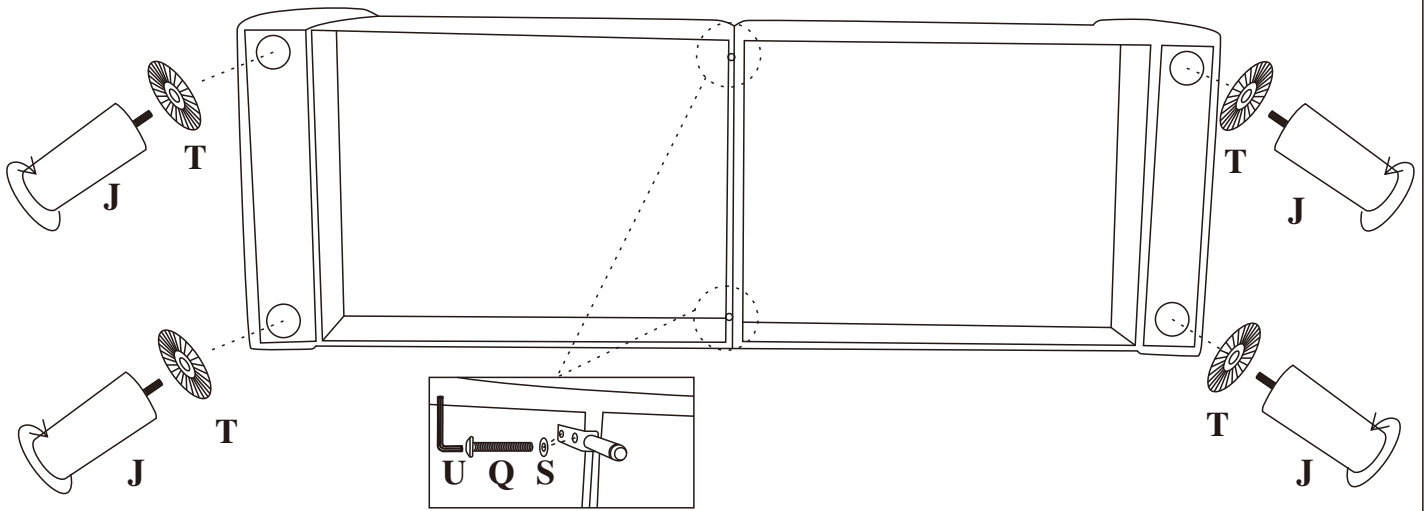
# STEP 1



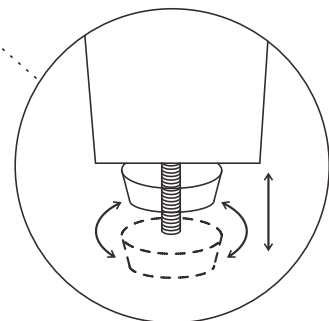
# STEP 2



# STEP 3

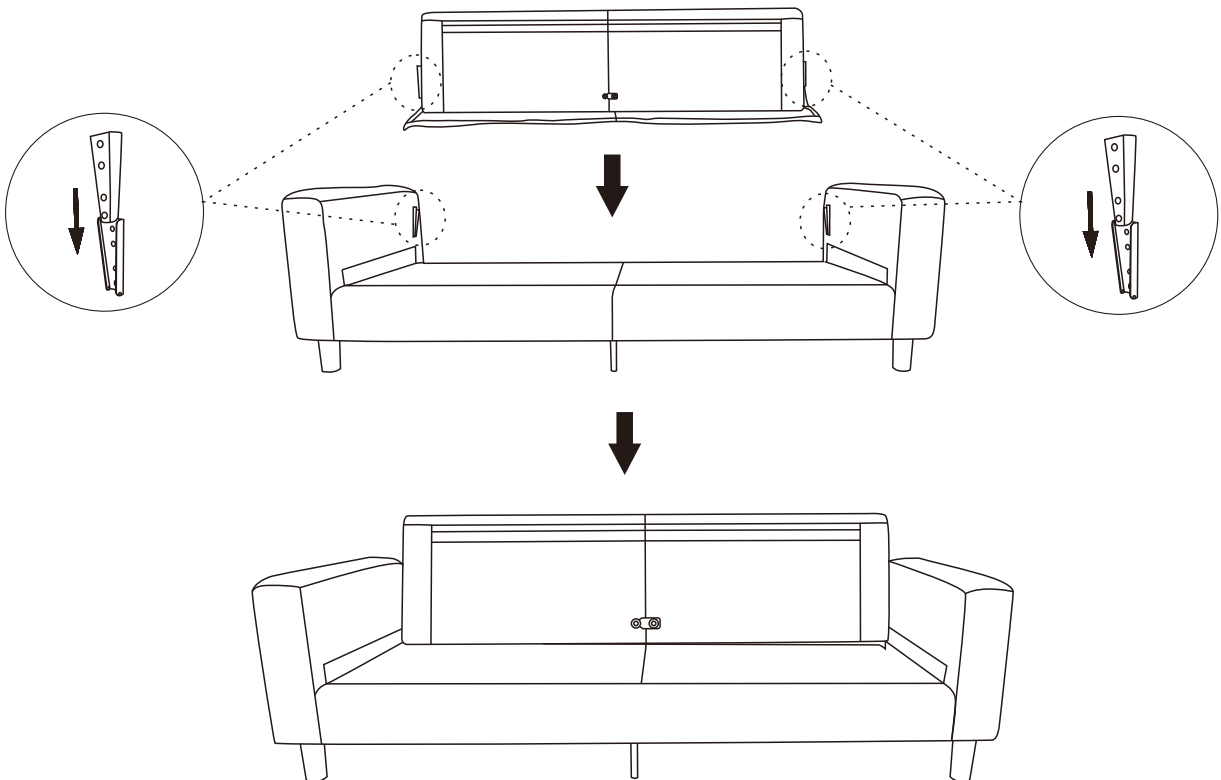
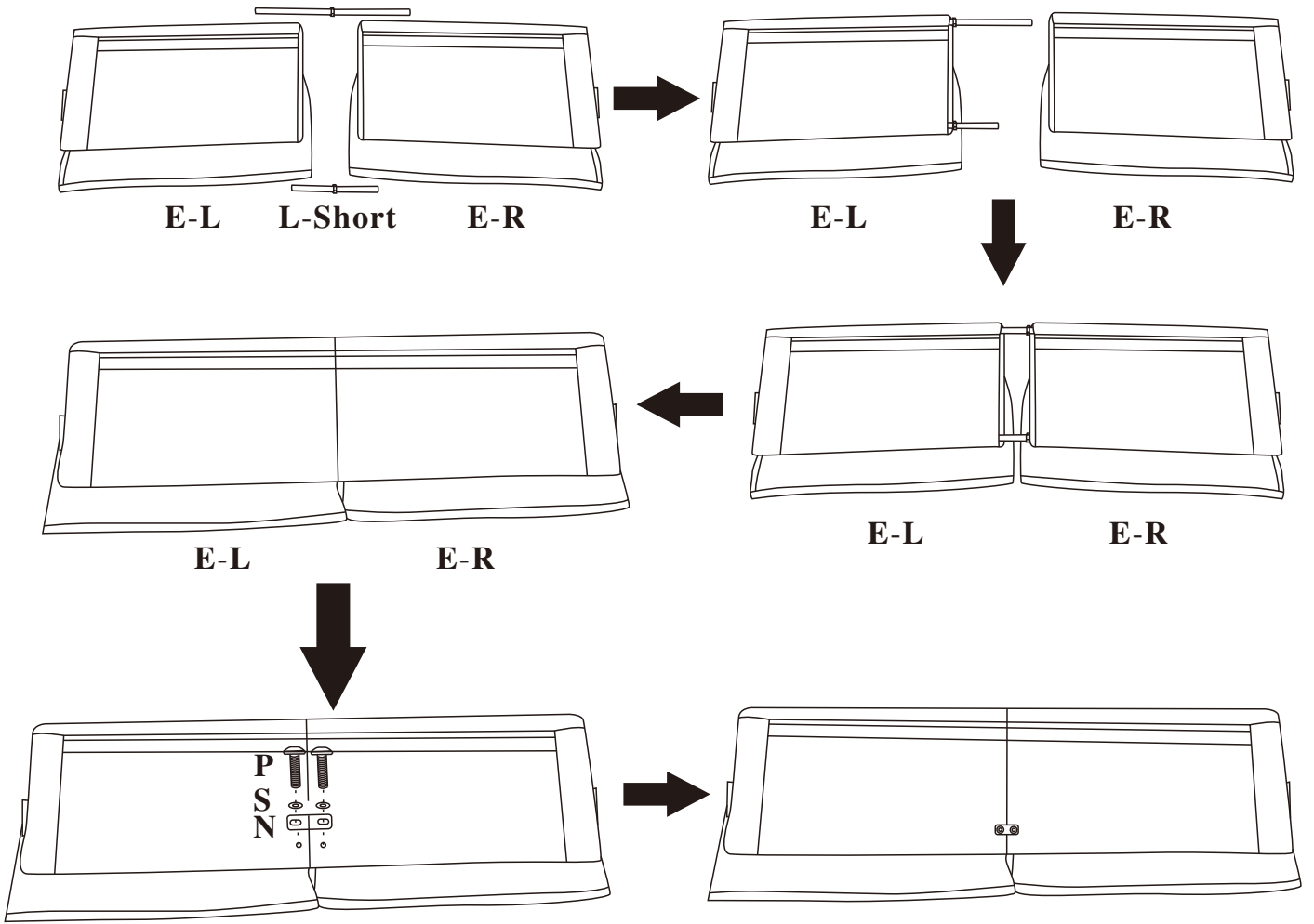


Adjust the leveling feet for balance.

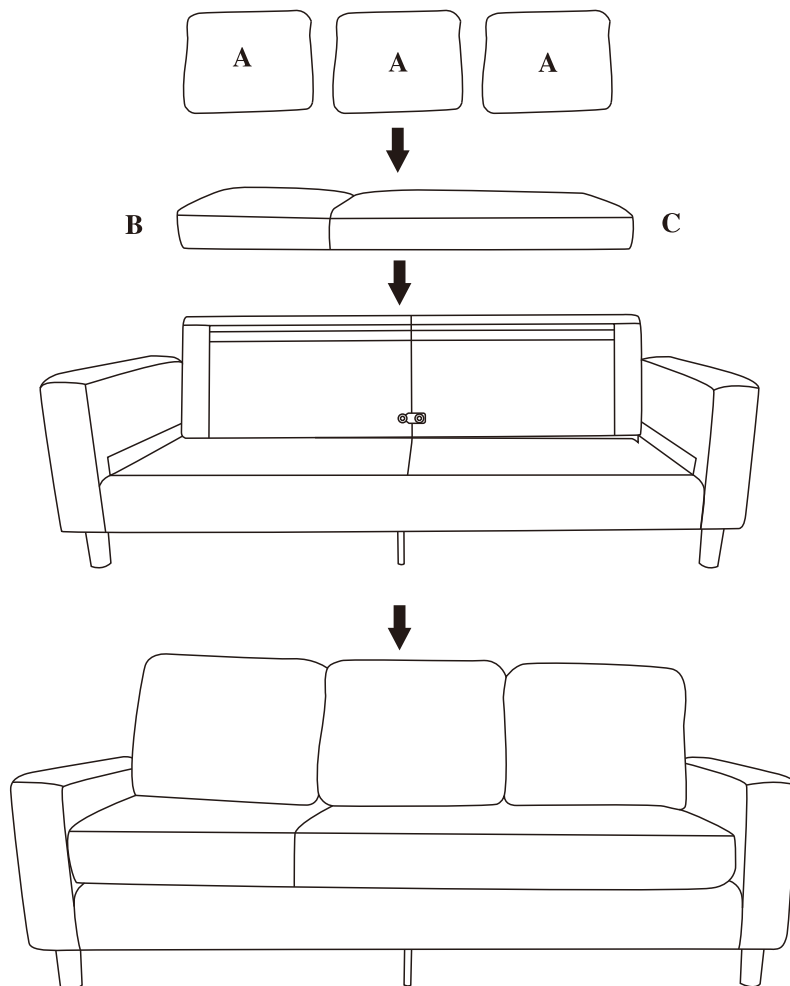
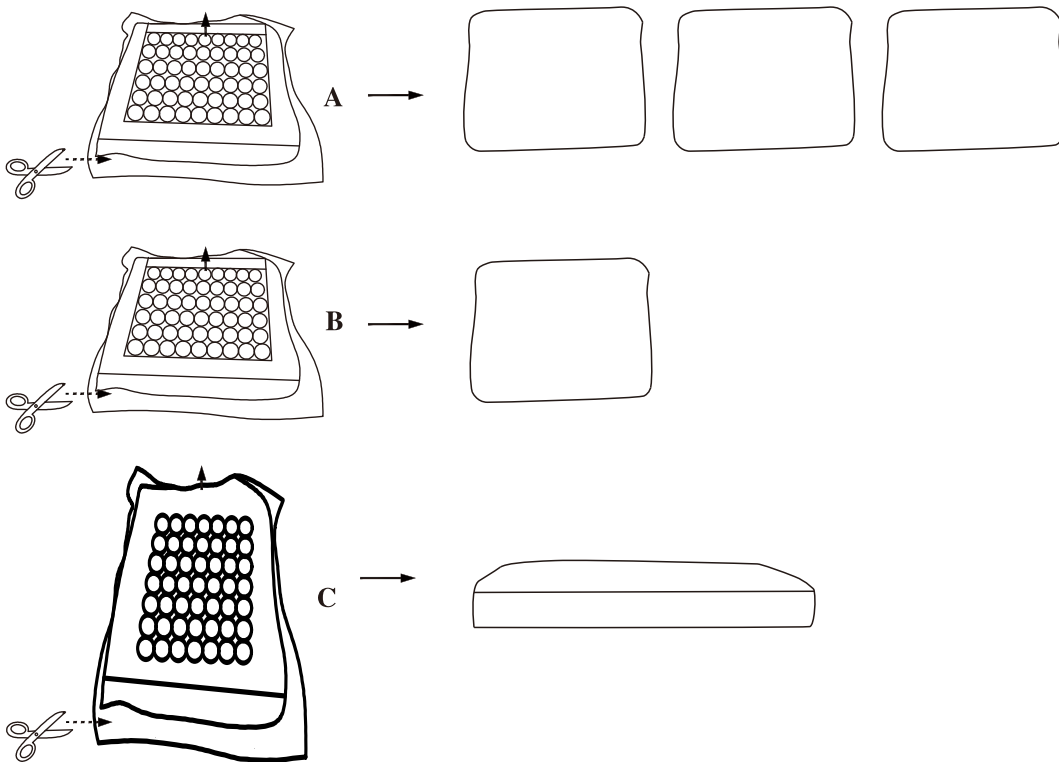


# STEP 4

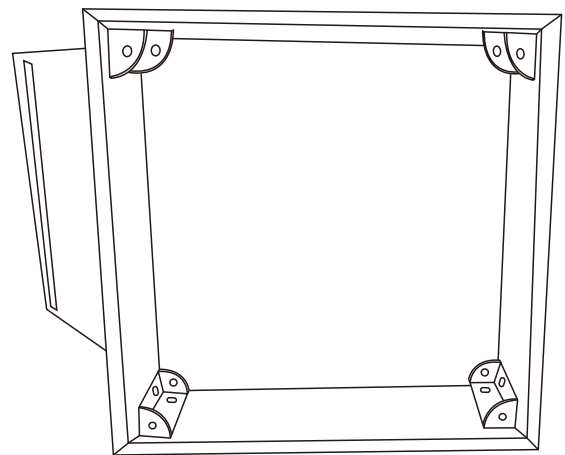
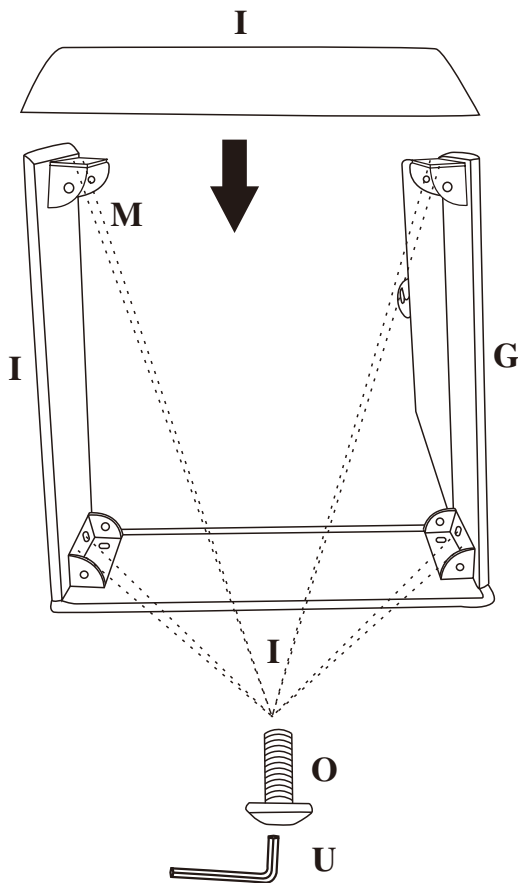
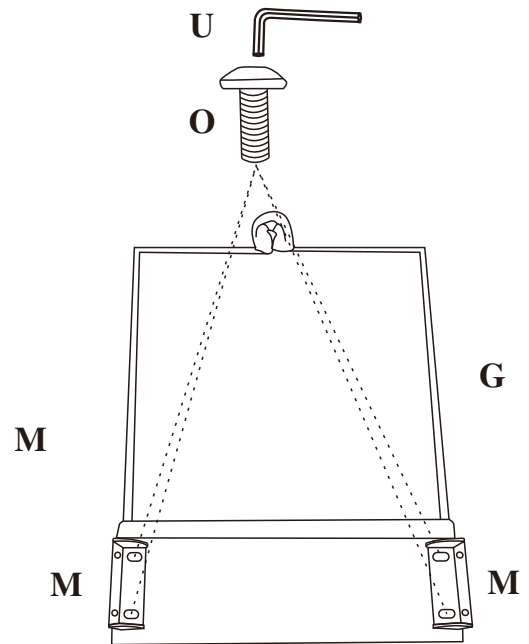
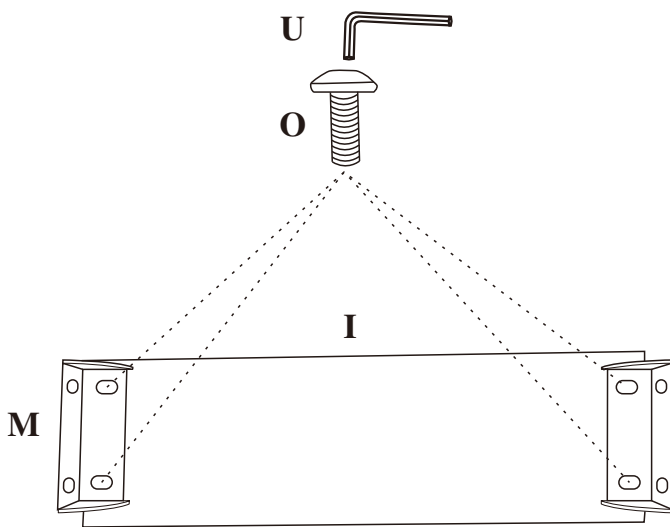
L-Long



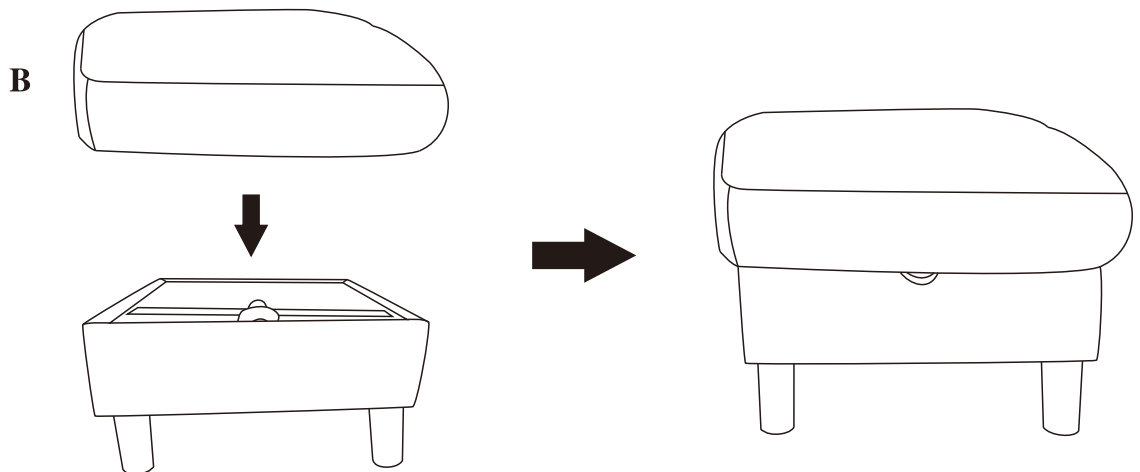
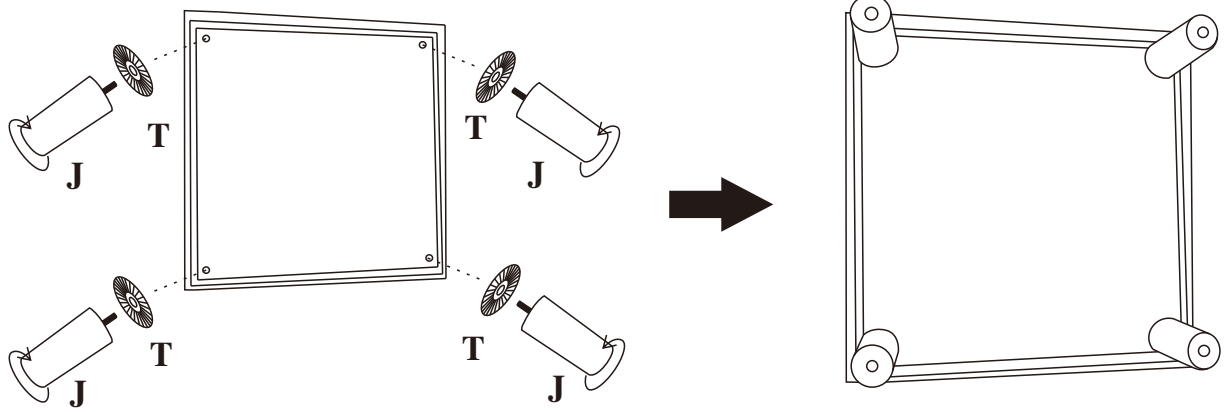
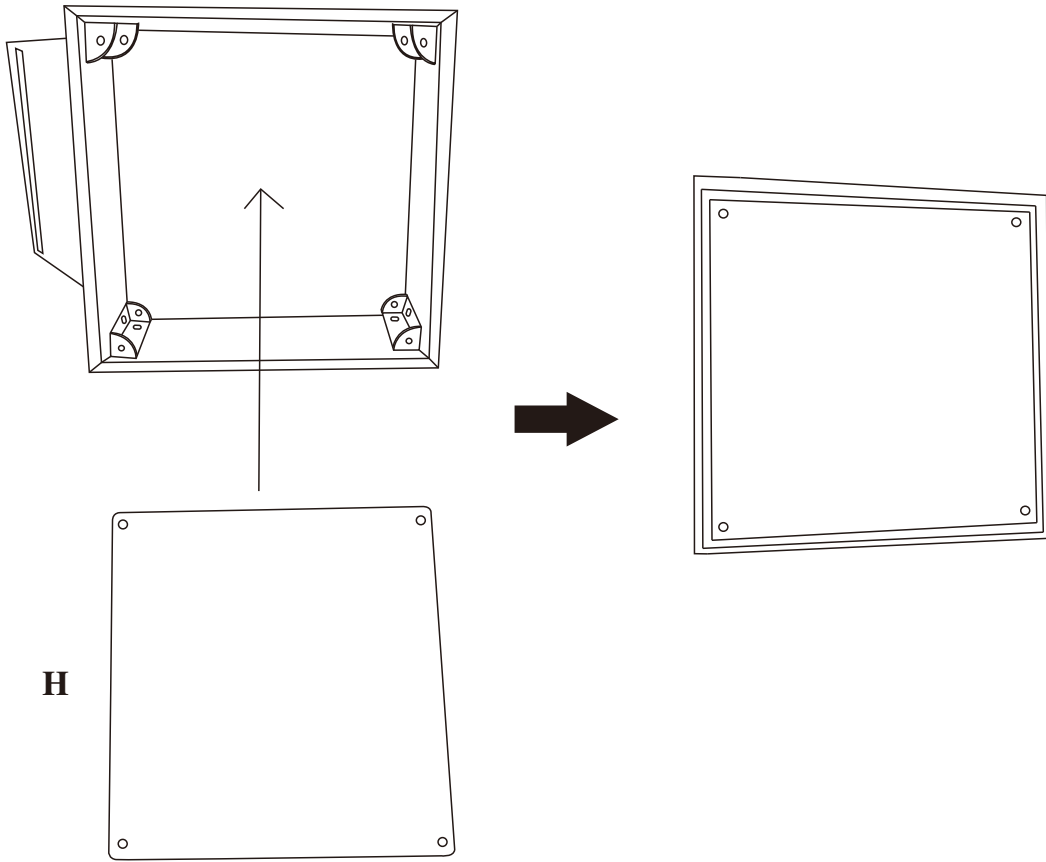
# STEP 5



# STEP 6



# STEP 7



# FINISH

