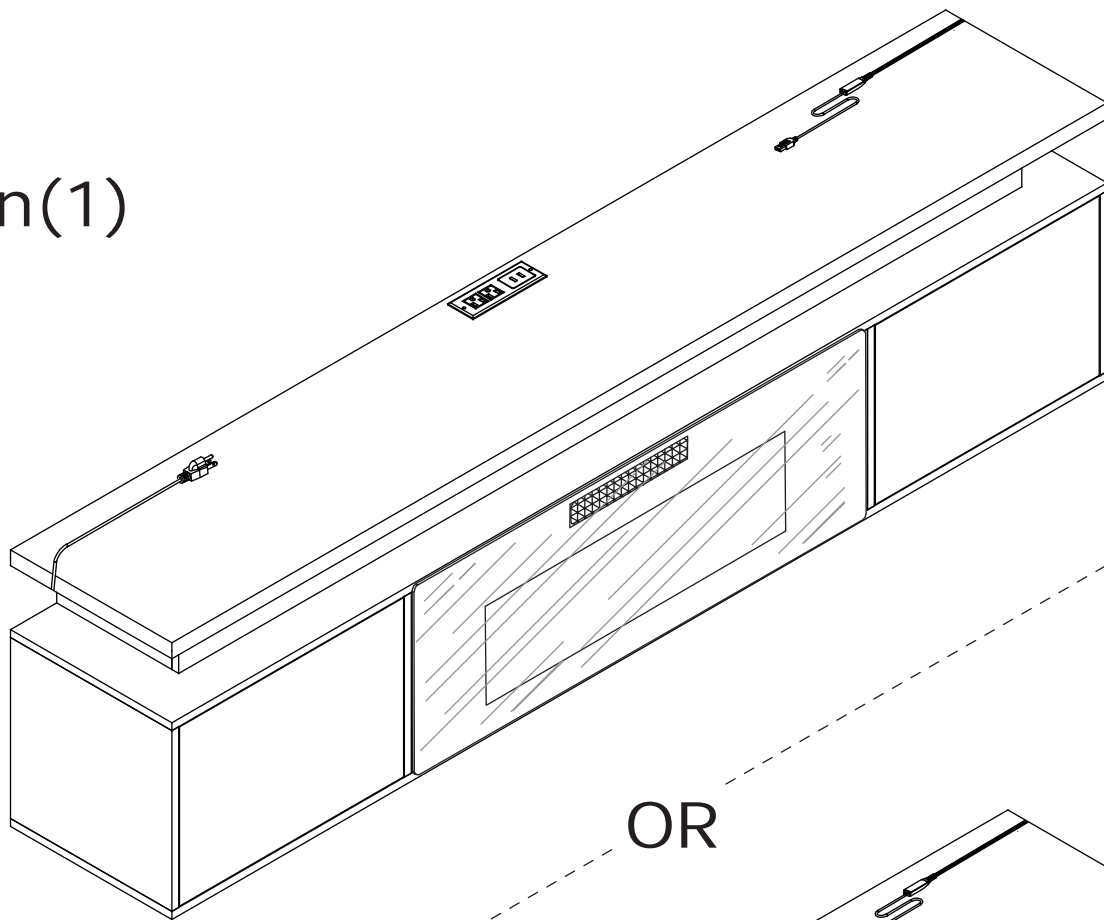
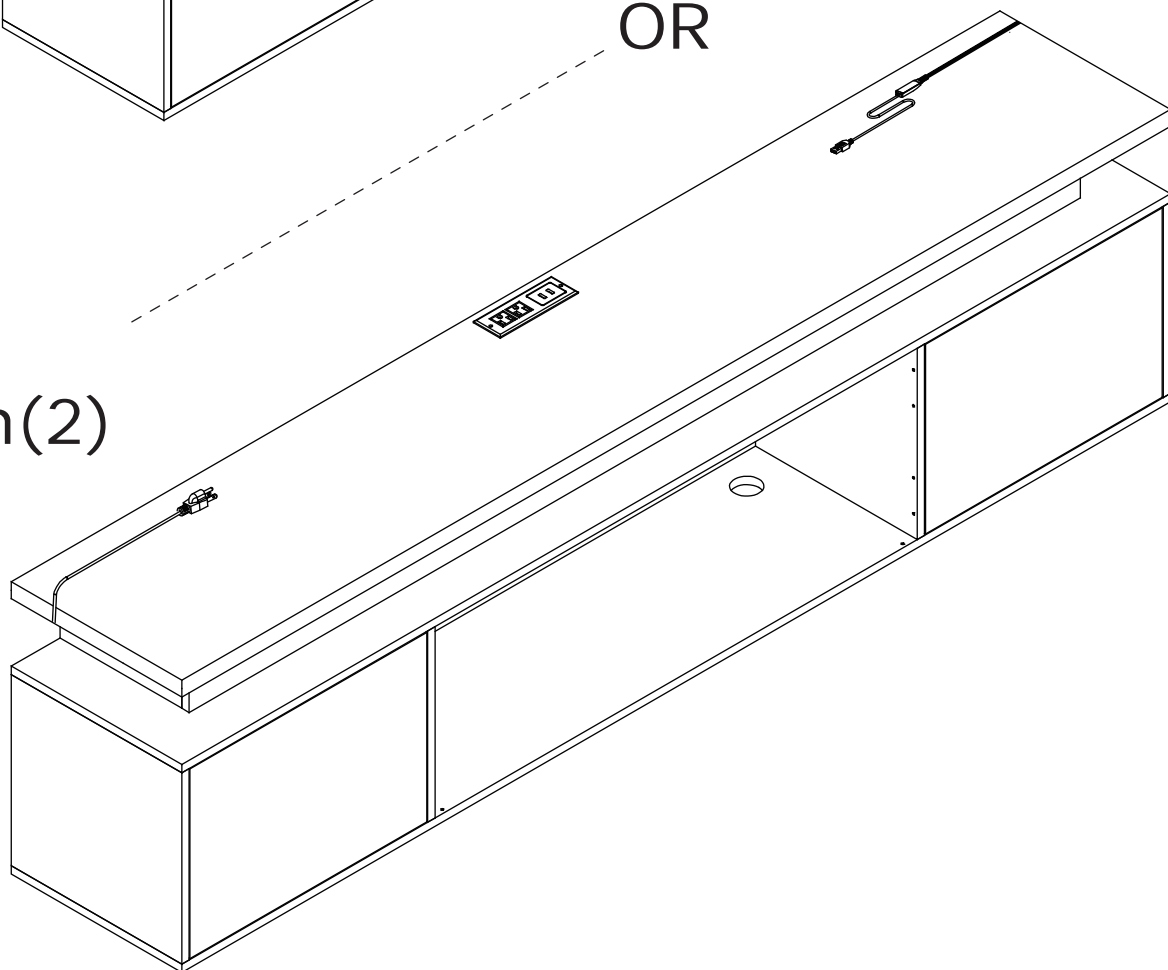


Plan(1)

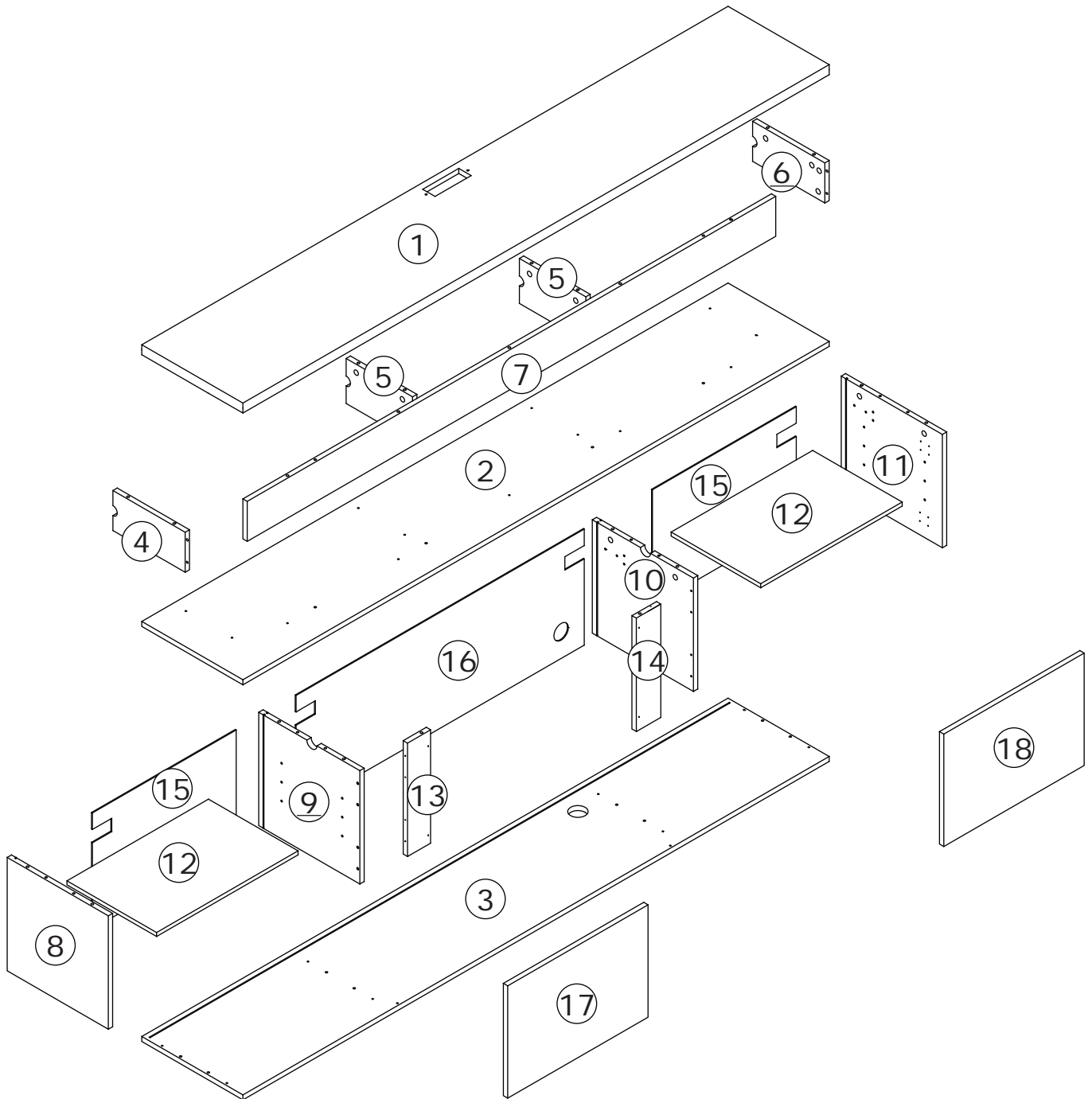


OR

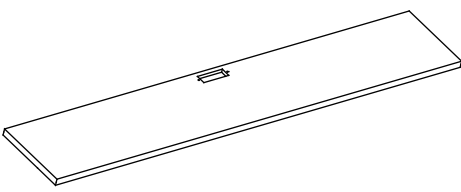
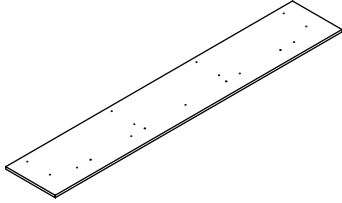
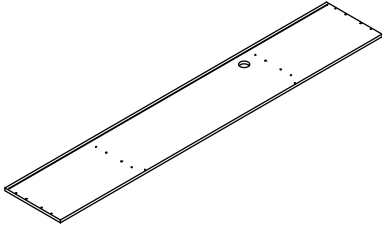
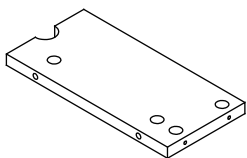
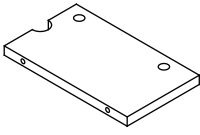
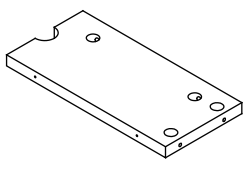
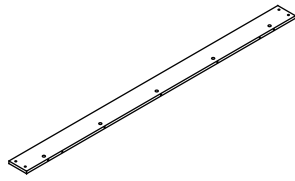
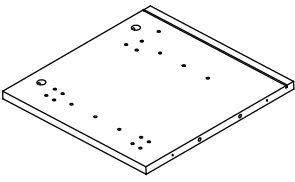
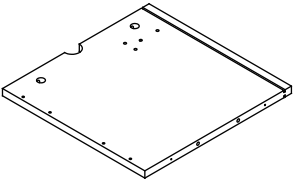
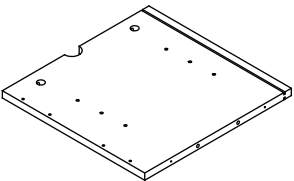
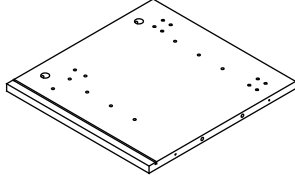
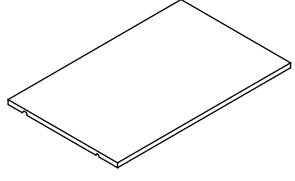
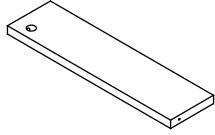
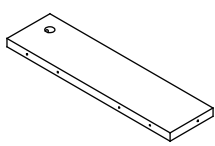
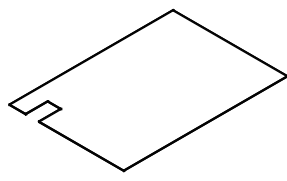
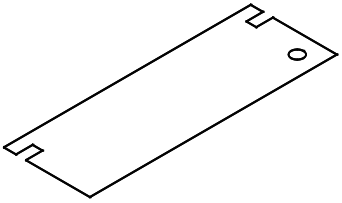
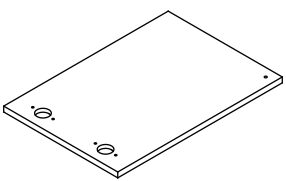
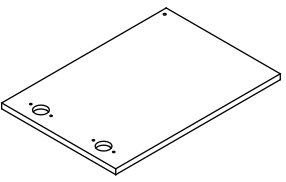
Plan(2)



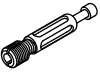





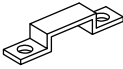
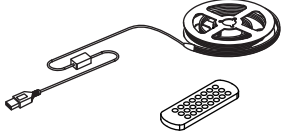
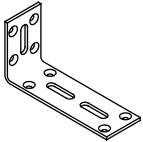
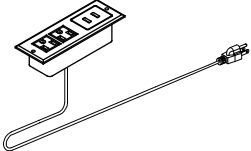



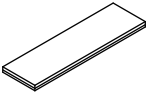
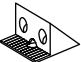


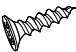
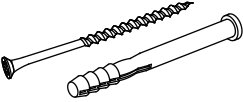
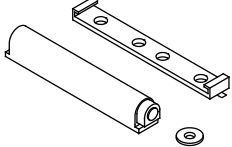
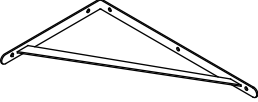
# Parts and Operation Elements



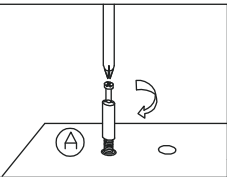
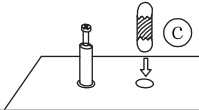
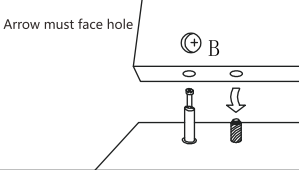

# Parts and Operation Elements

|   |   |  |   |   |      |   |     |
|---|---|--|---|---|------|---|-----|
|    |   |    |   |   |      |   |     |
| ①   | 1pc   | ②  | 1pc   |   |      |   |     |
|    |   |    |    |   |      |   |     |
| ③   | 1pc   | ④  | 1pc   | ⑤ | 2pcs |   |     |
|    |    |    |    |   |      |   |     |
| ⑥   | 1pc   | ⑦  | 1pc   | ⑧ | 1pc  | ⑨ | 1pc |
|  |  |  |  |   |      |   |     |
| ⑩   | 1pc   | ⑪  | 1pc   | ⑫ | 2pcs | ⑬ | 1pc |
|  |  |  |  |   |      |   |     |
| ⑭   | 1pc   | ⑮  | 2pcs  | ⑯ | 1pc  | ⑰ | 1pc |
|  |   |  |   |   |      |   |     |
| ⑱   | 1pc   |  |   |   |      |   |     |

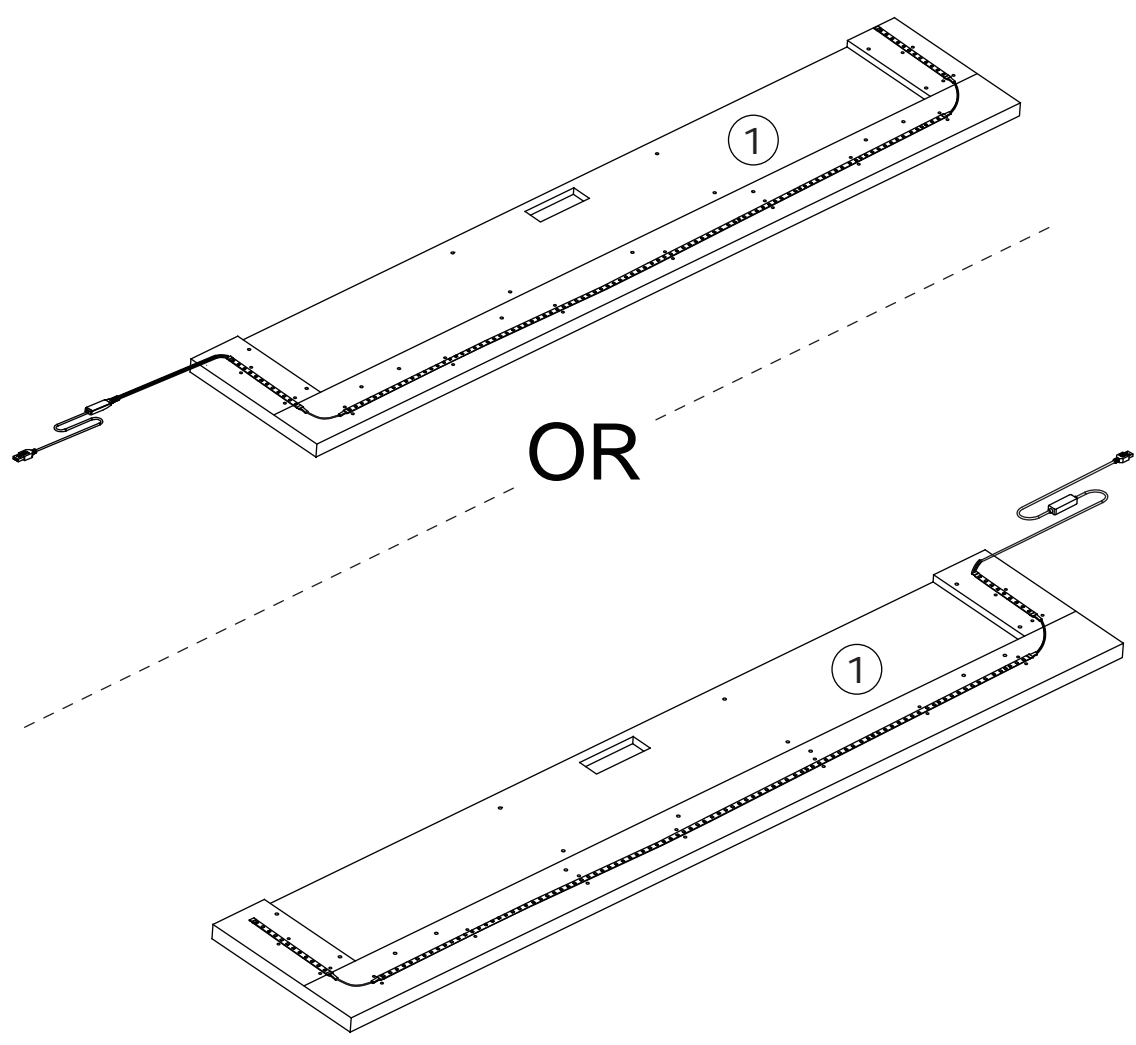
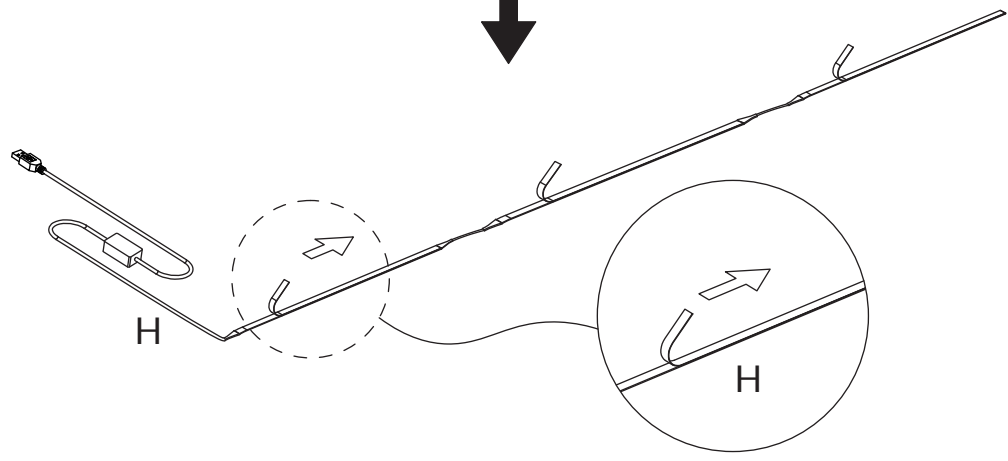
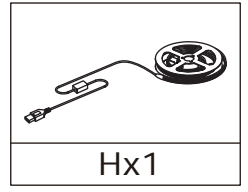
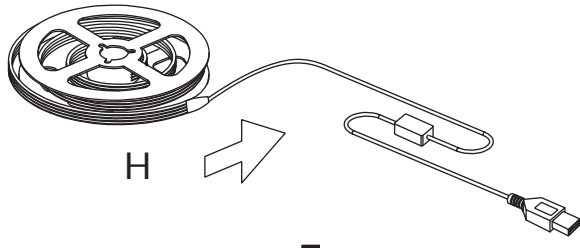
# Hardware

|   |   |  |   |
|---|---|--|---|
|    |    |    |    |
| Cam Bolt  | 15x12mm<br>Cam Lock   | Ø8x40mm Dowel  | 5x40mm Screw  |
| <b>(A)</b> 27pcs <sup>+2pcs</sup>   | <b>(B)</b> 27pcs <sup>+2pcs</sup>   | <b>(C)</b> 22pcs <sup>+2pcs</sup>  | <b>(D)</b> 31pcs <sup>+2pcs</sup>   |
|    |    |    |    |
| M3x12mm Screw   |   |  |   |
| <b>(E)</b> 40pcs <sup>+2pcs</sup>   | <b>(F)</b> 8pcs <sup>+2pcs</sup>  | <b>(G)</b> 15pcs <sup>+2pcs</sup>  | <b>(H)</b> 1pc  |
|    |    |     |    |
|   |   | M3x12mm Screw  | M4x14mm Screw   |
| <b>(J)</b> 4pcs   | <b>(K)</b> 1pc  | <b>(L)</b> 2pcs  | <b>(M)</b> 22pcs <sup>+2pcs</sup>   |
|  |  |  |  |
|   |   |  | 3x16mm Screw  |
| <b>(N)</b> 43pcs <sup>+2pcs</sup>   | <b>(P)</b> 16pcs <sup>+2pcs</sup>   | <b>(Q)</b> 12pcs <sup>+2pcs</sup>  | <b>(R)</b> 12pcs <sup>+2pcs</sup>   |
|  |  |  |  |
|   | M4x14mm Screw   | M8x80mm Screw  |   |
| <b>(S)</b> 4pcs   | <b>(T)</b> 24pcs <sup>+2pcs</sup>   | <b>(V)</b> 20pcs <sup>+2pcs</sup>  | <b>(W)</b> 2pcs   |
|  |   |  |   |
| <b>(Z)</b> 2pcs   |   |  |   |

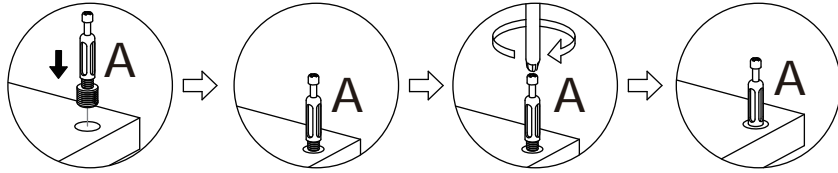
## General instructions to assemble connecting pieces

|   |   |  |   |
|---|---|--|---|
|  |  |  |  |
| Gently screw cam bolt into the threaded anchor.                                     | Insert the wood dowel halfway into hole   | Arrow must face hole   | Screw the camlock firmly into locked position.  |

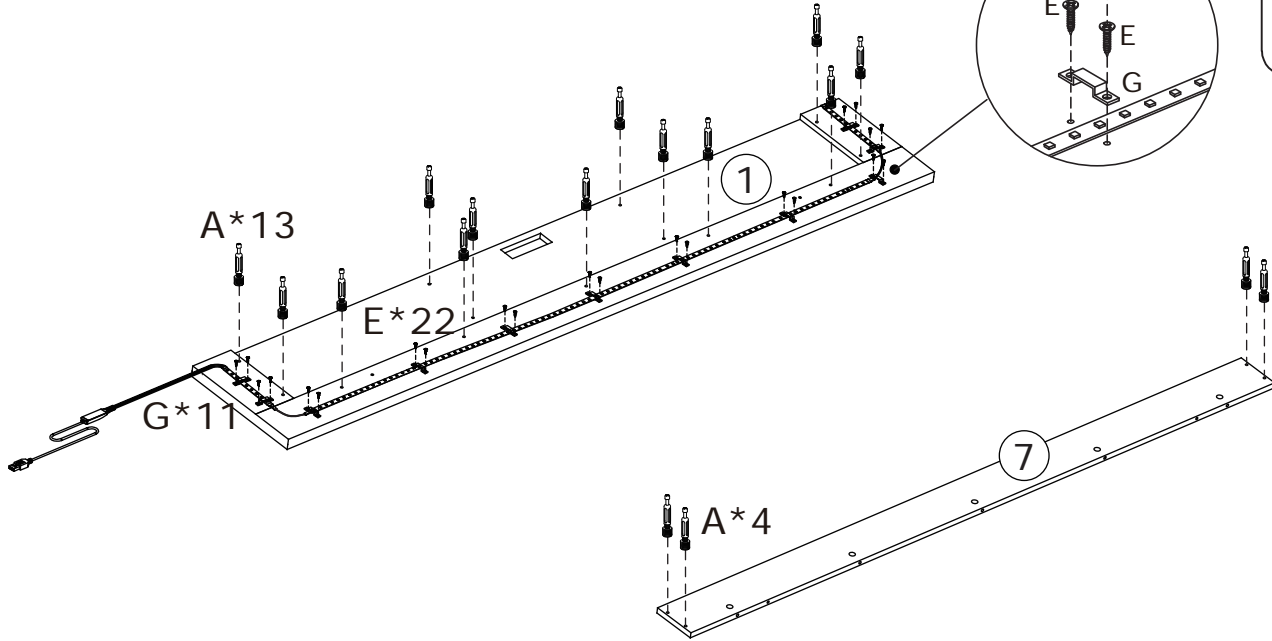
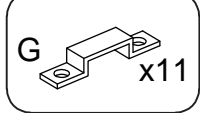
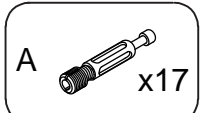
1



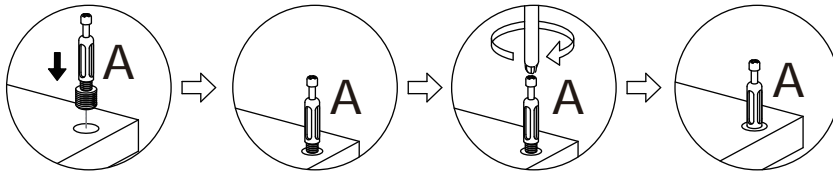
2



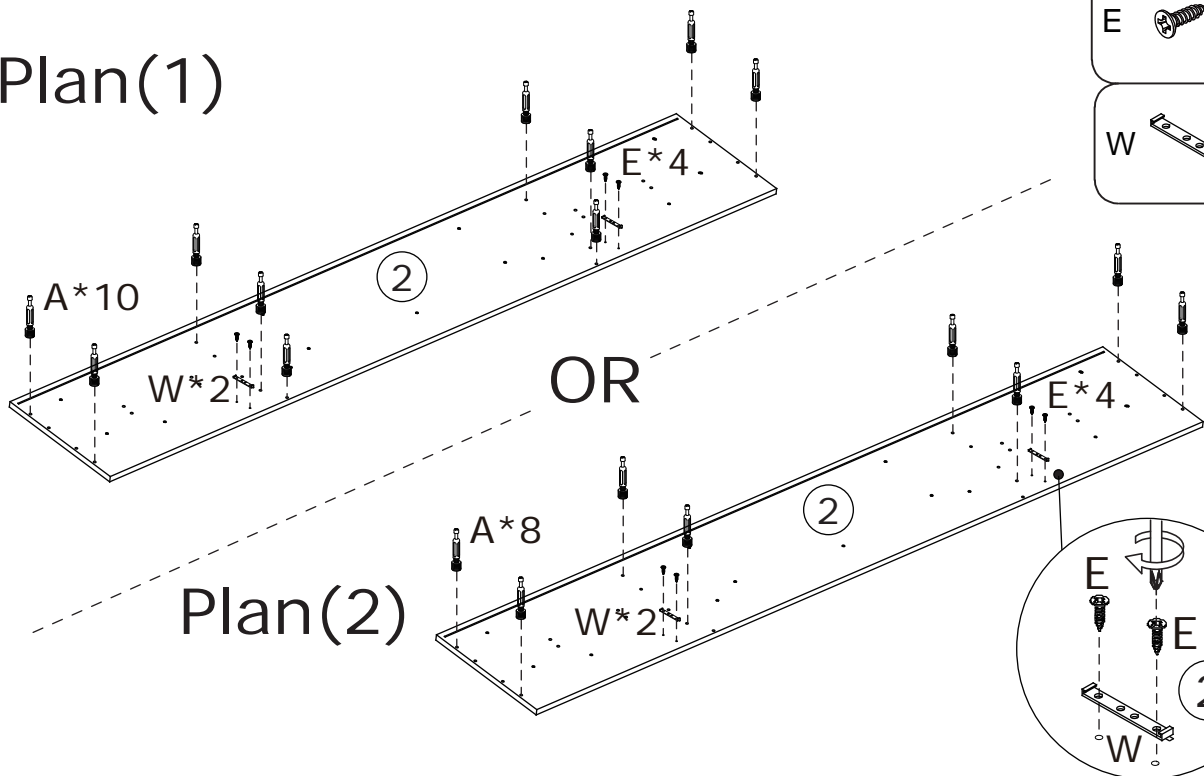
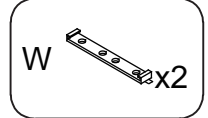
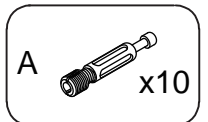
Before assembly, tear off the film of plates 1, 2 and 7.



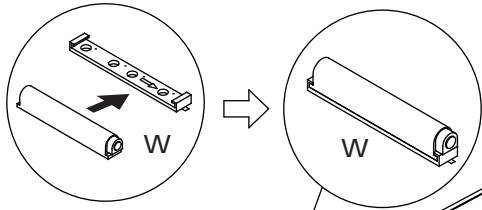
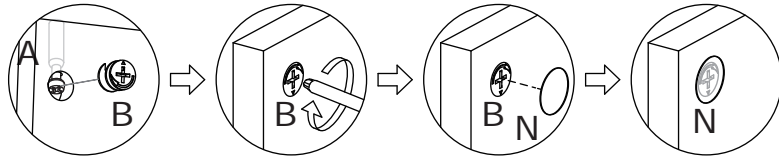
3



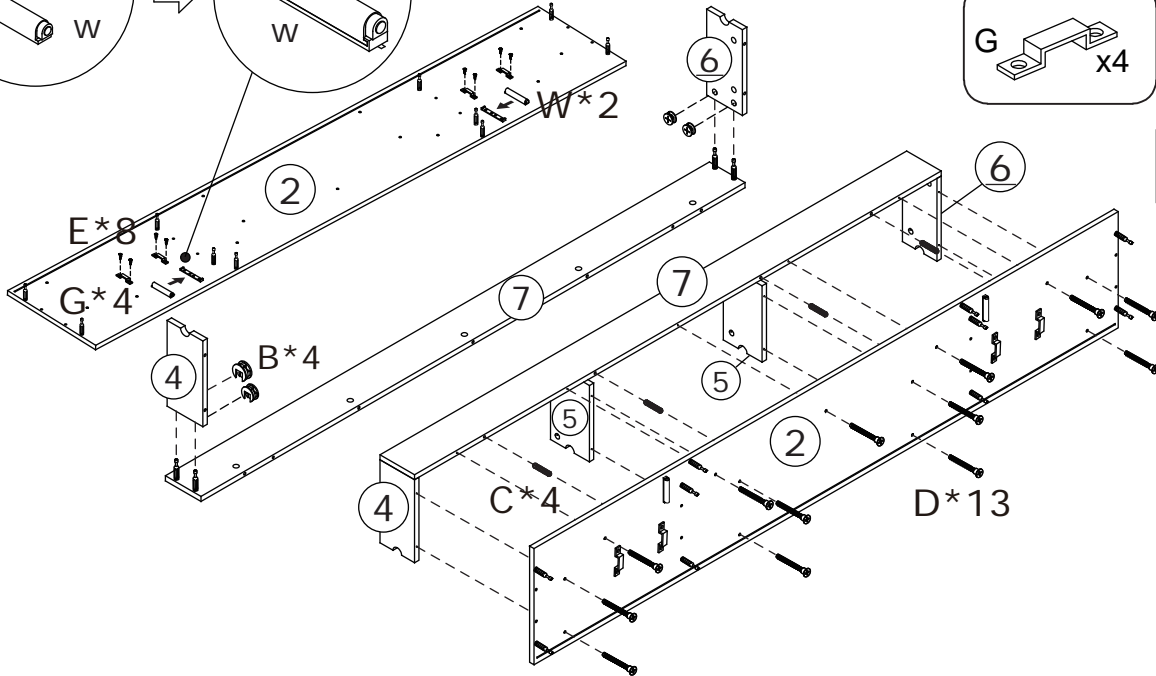
Plan(1)



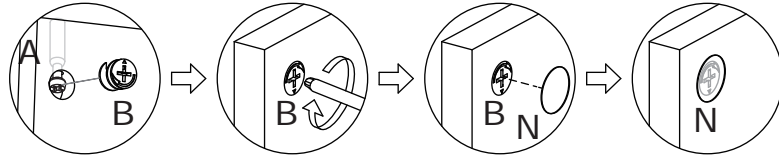
5



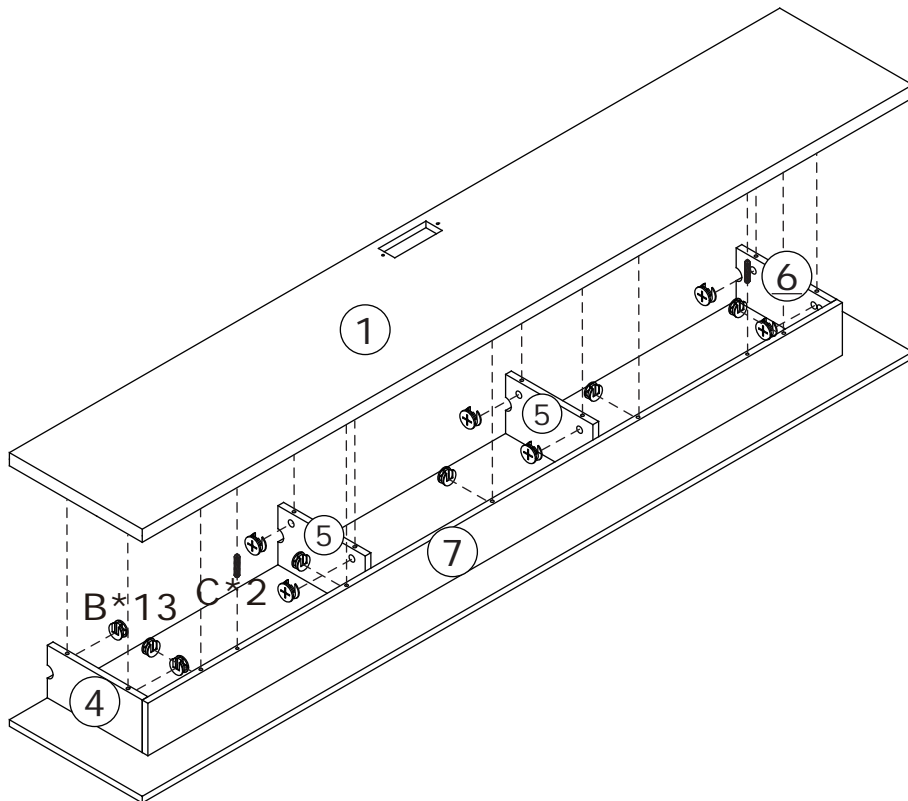
- |   |    |   |     |
|---|----|---|-----|
| W | x2 | B | x4  |
| E | x8 | C | x4  |
| G | x4 | D | x13 |
|   |    | N | x4  |



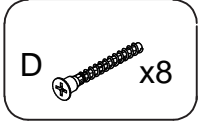
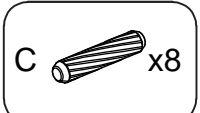
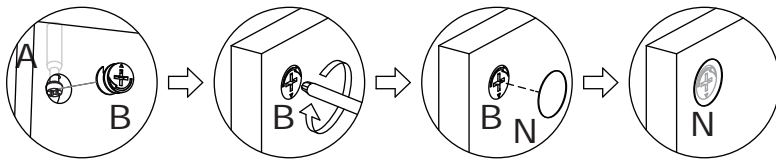
6



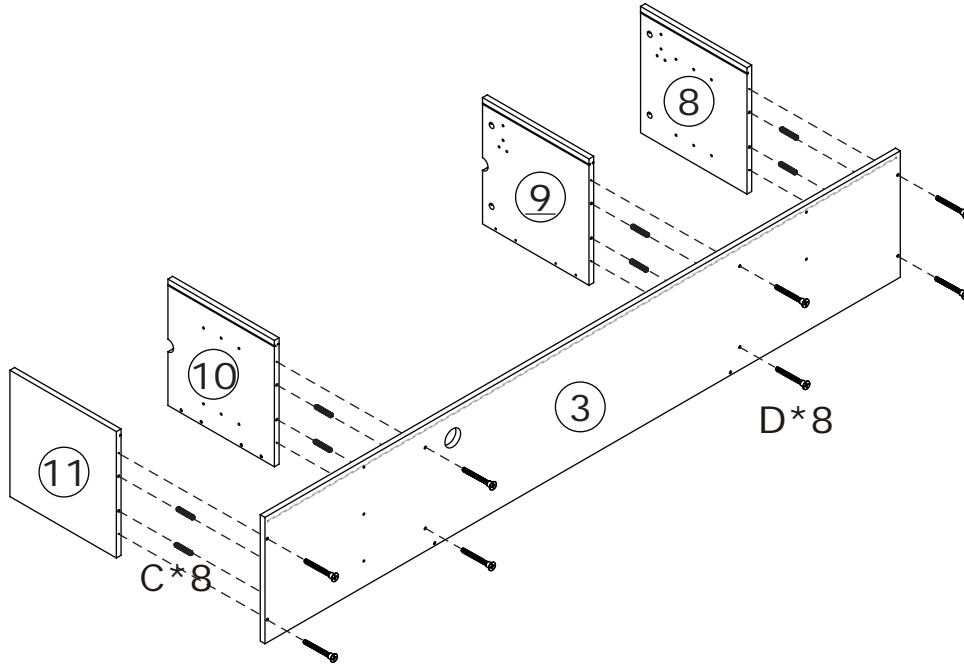
- |   |     |
|---|-----|
| B | x13 |
| C | x2  |
| N | x13 |



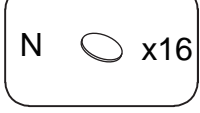
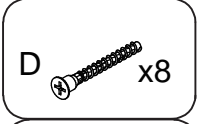
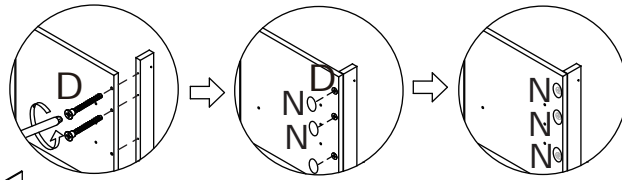
7



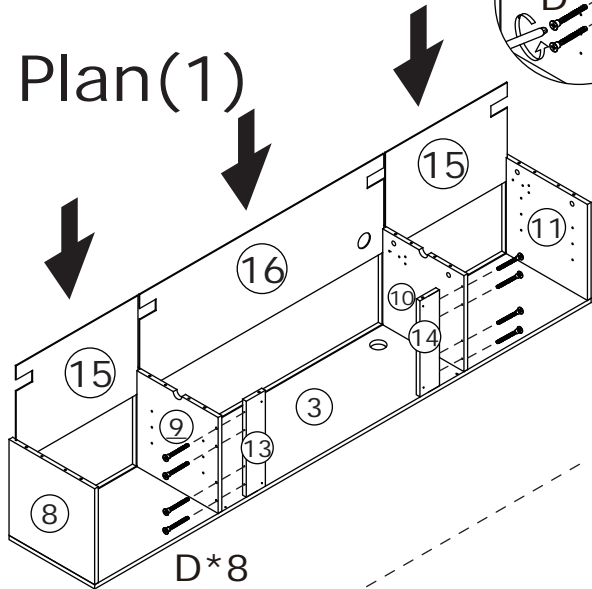
Before assembly, tear off the film of plates 8 and 11.



8

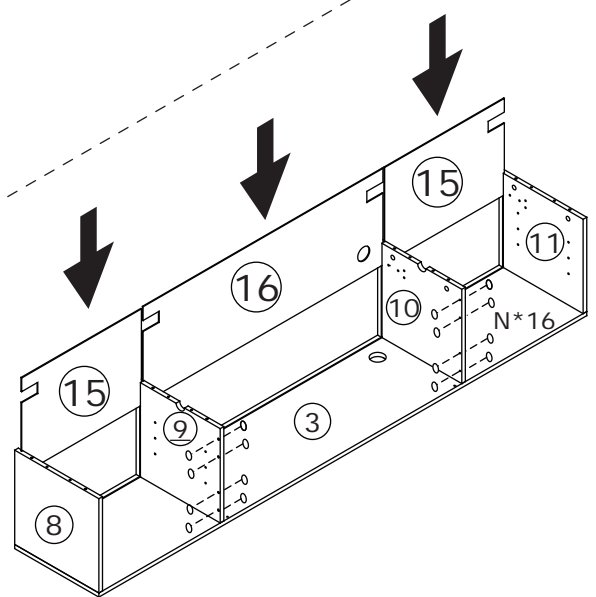


Plan(1)

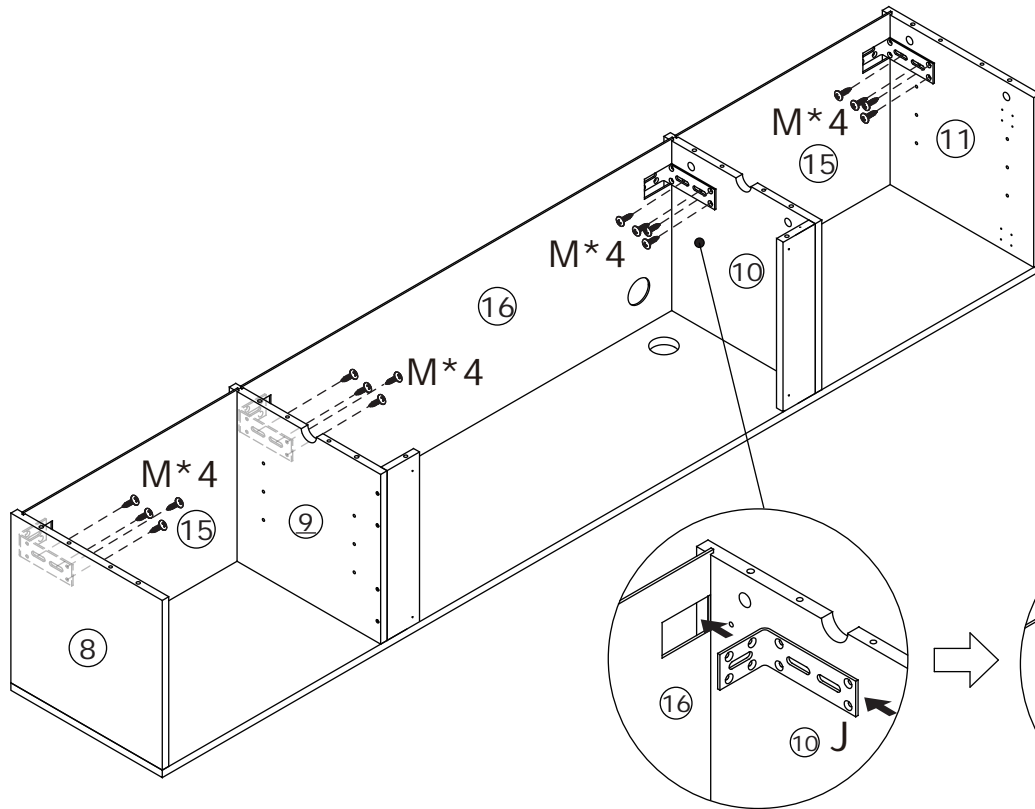



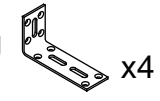
OR

Plan(2)

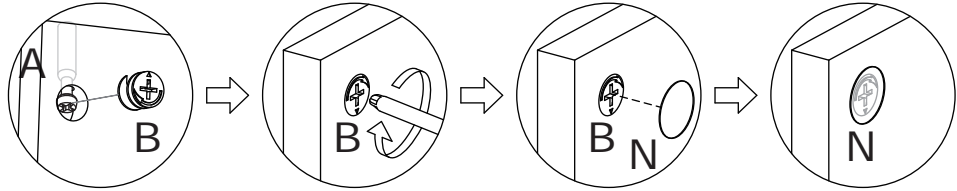





9

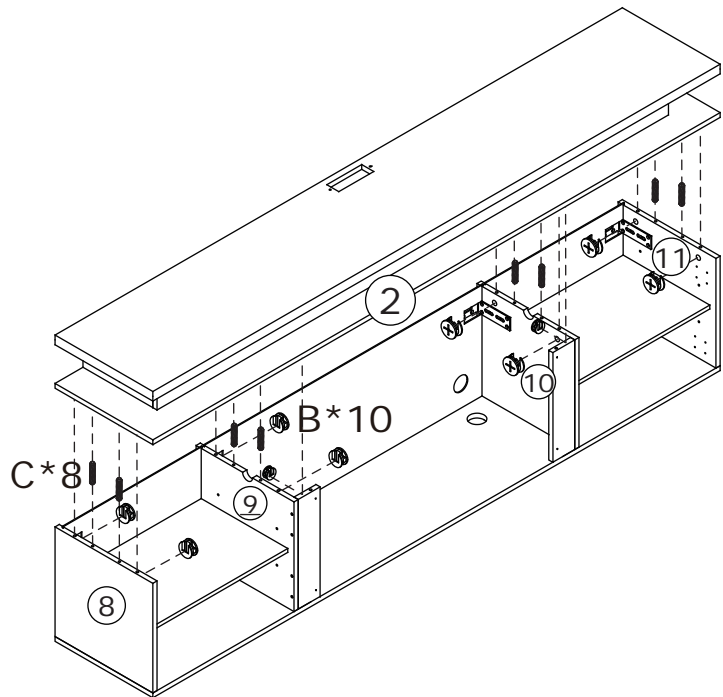


- M  x16
- J  x4

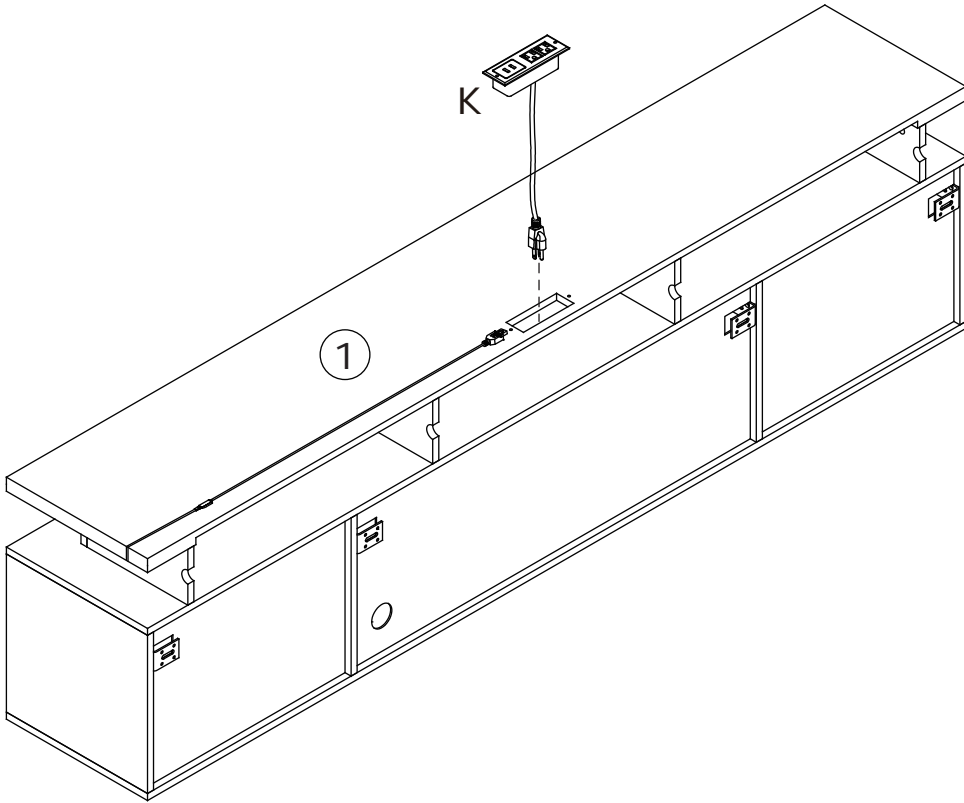
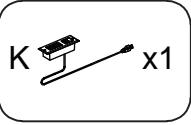
10



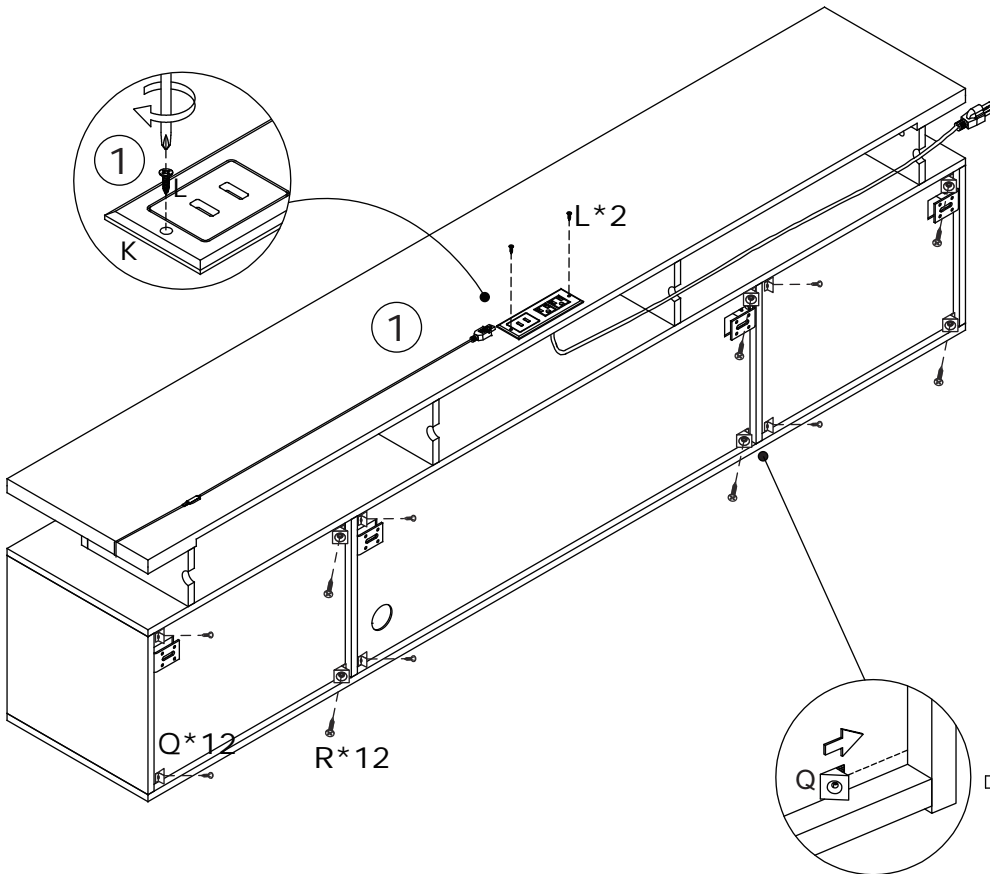
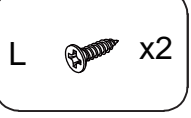
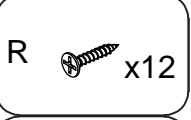
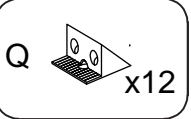
- B  x10
- C  x8
- N  x10



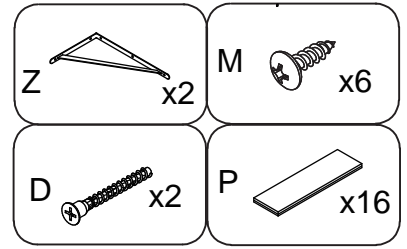
11



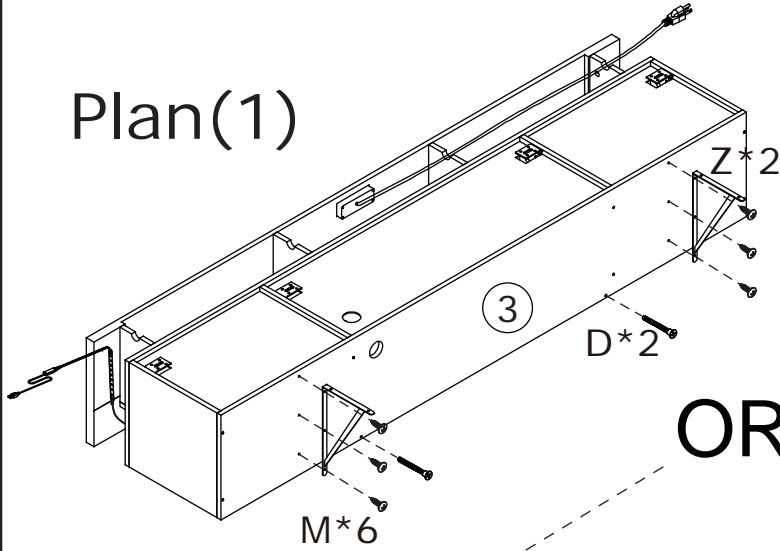
12



13

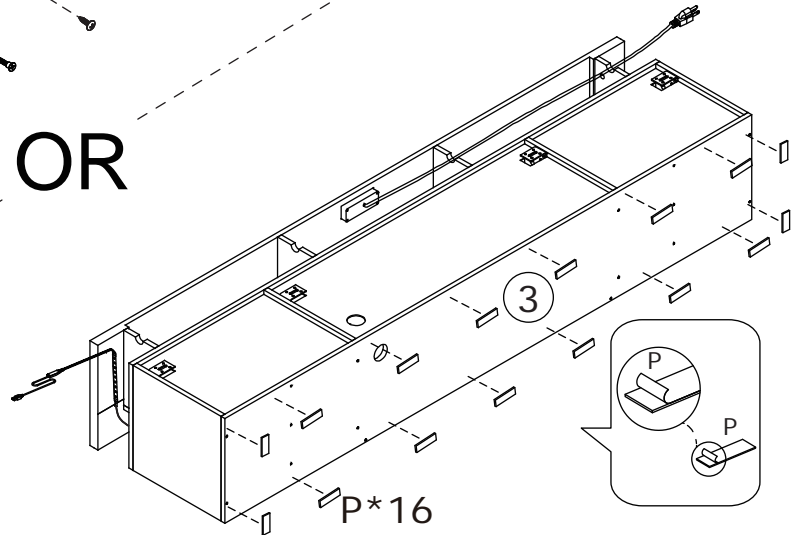


Plan(1)



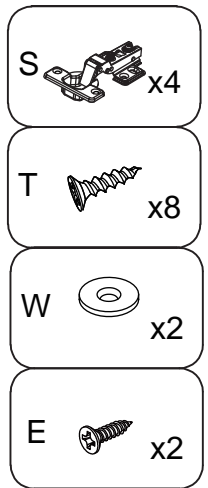
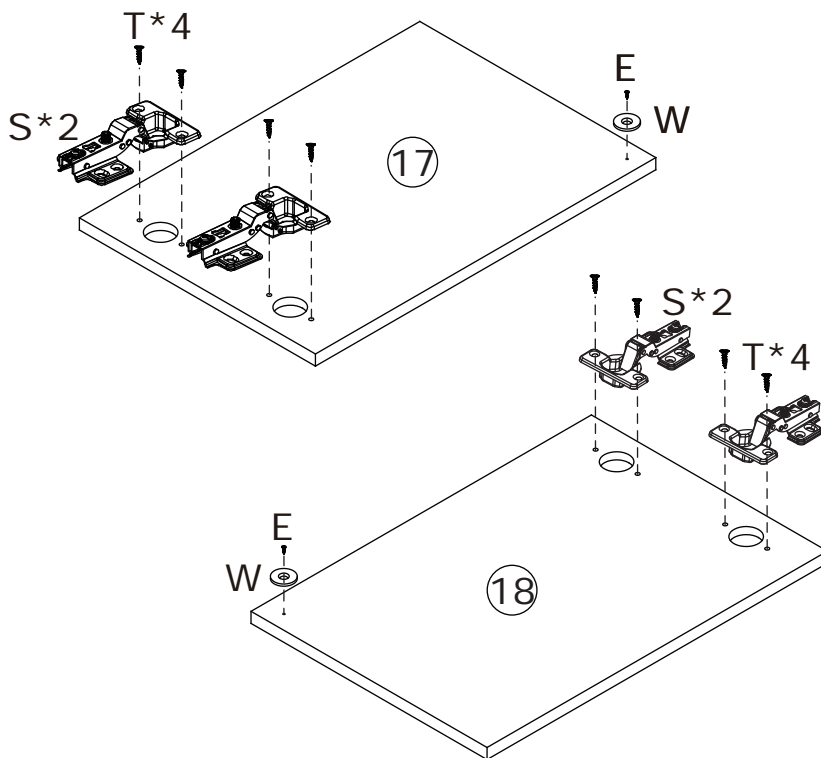
OR

Plan(2)

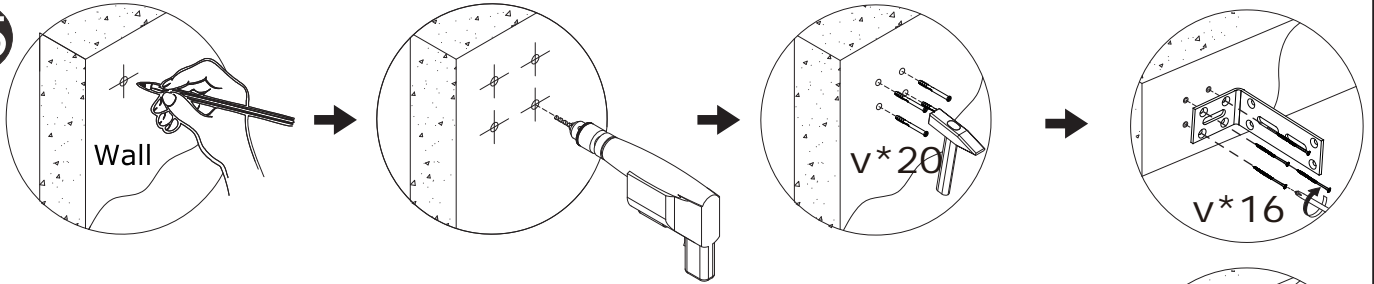


14

Before assembly, tear off the film of plates 17 and 18.

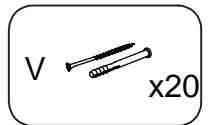
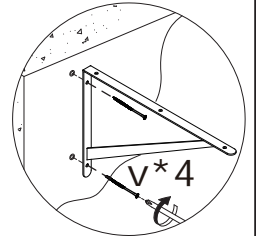
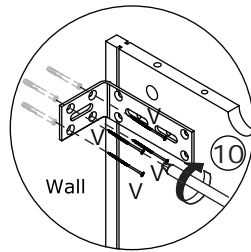
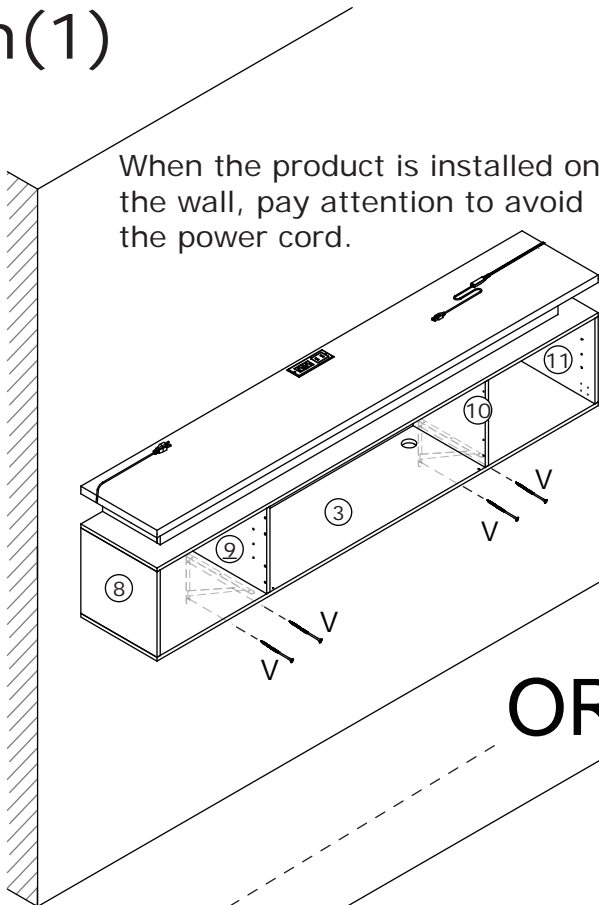


15

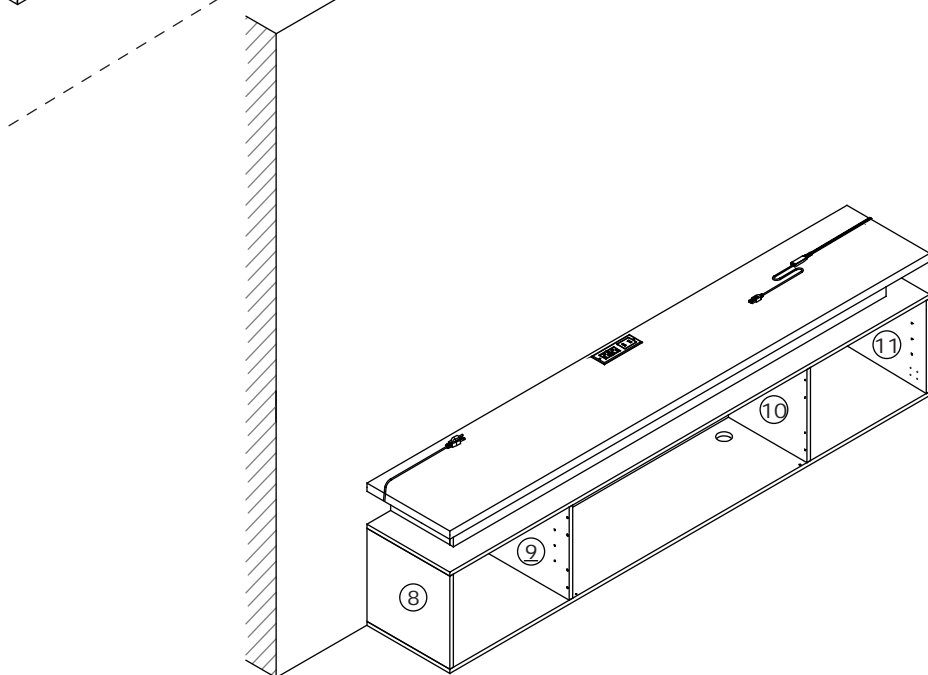


# Plan(1)

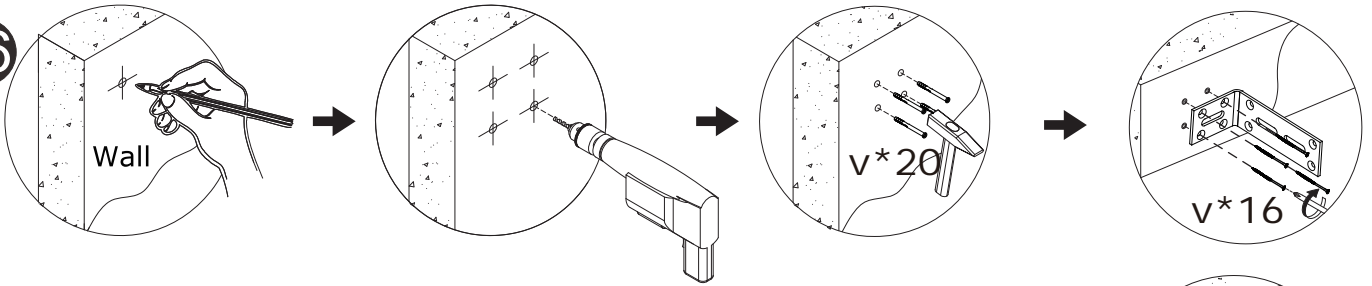
When the product is installed on the wall, pay attention to avoid the power cord.



# OR

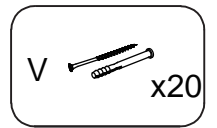
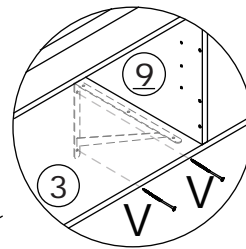
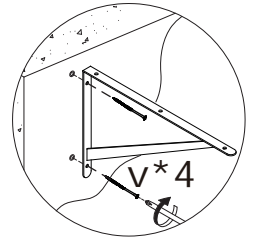
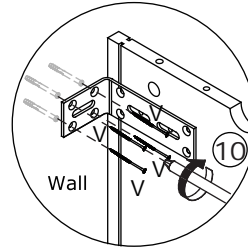
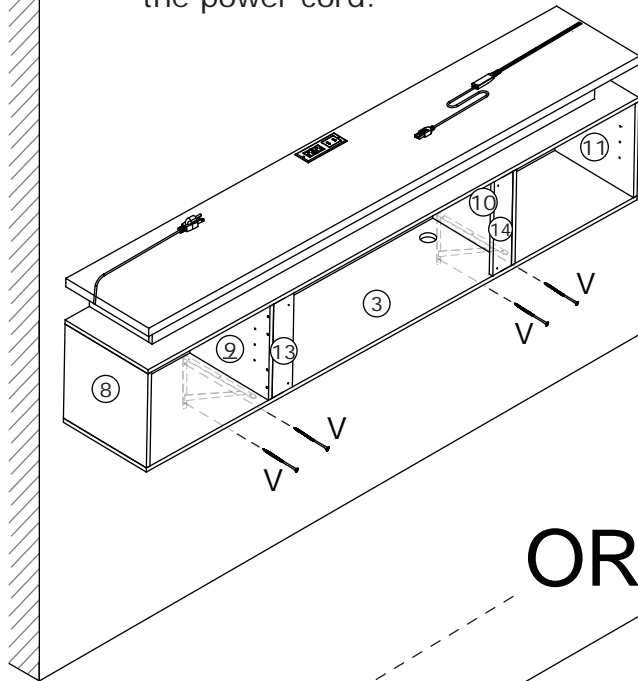


16

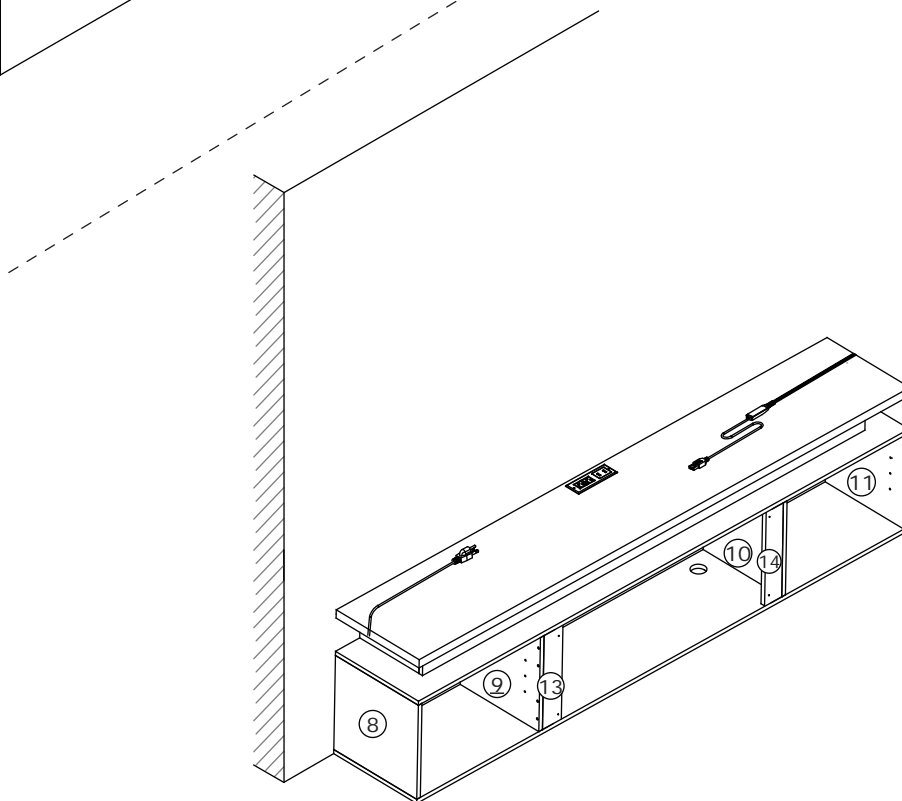


# Plan(2)

When the product is installed on the wall, pay attention to avoid the power cord.

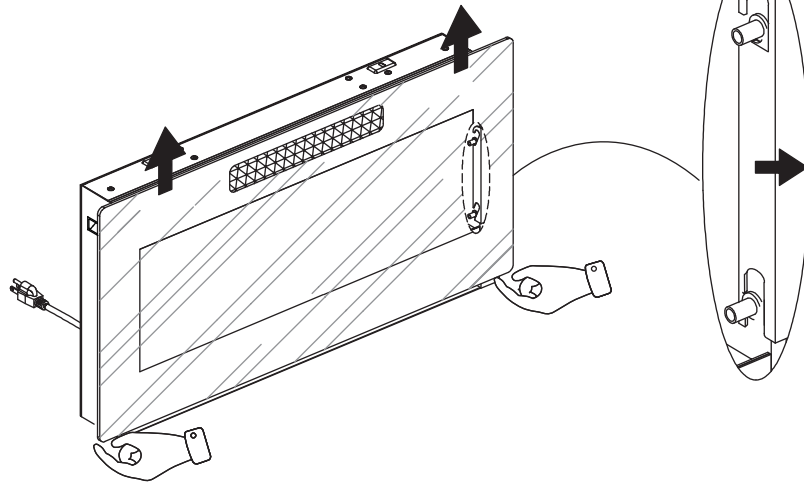
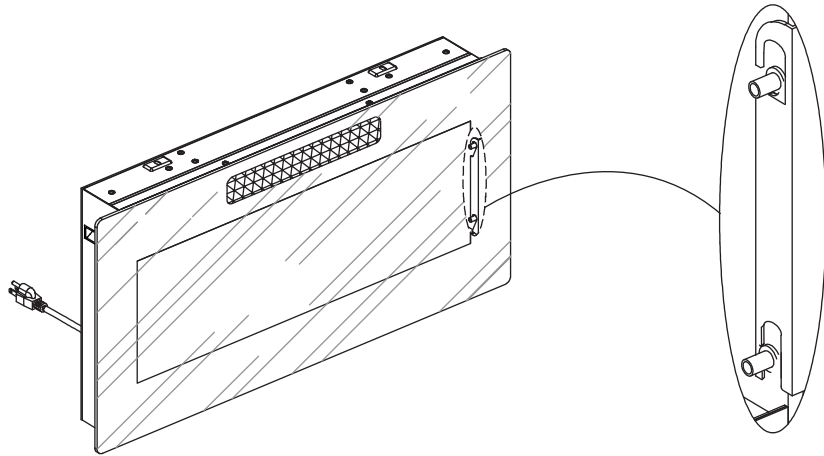


# OR

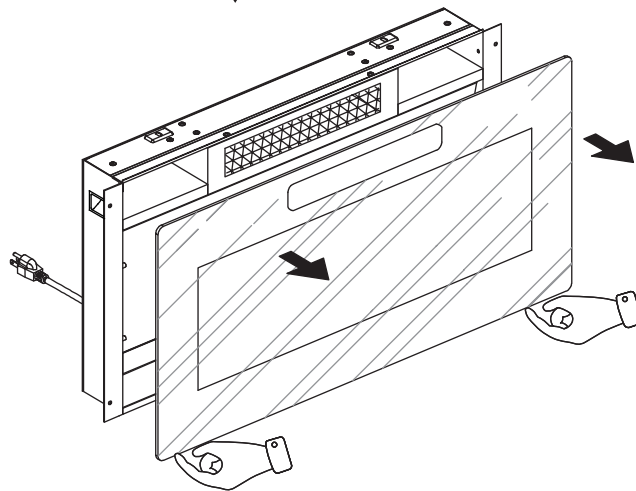


17

Step 1

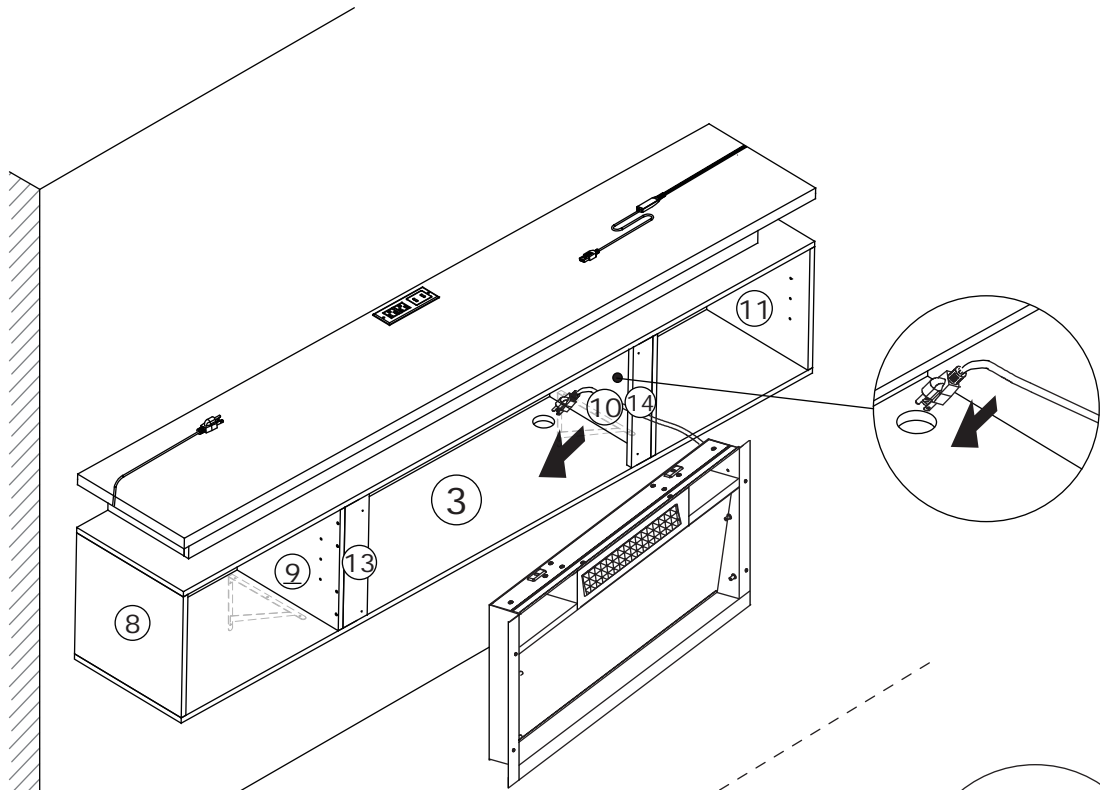


Step 2

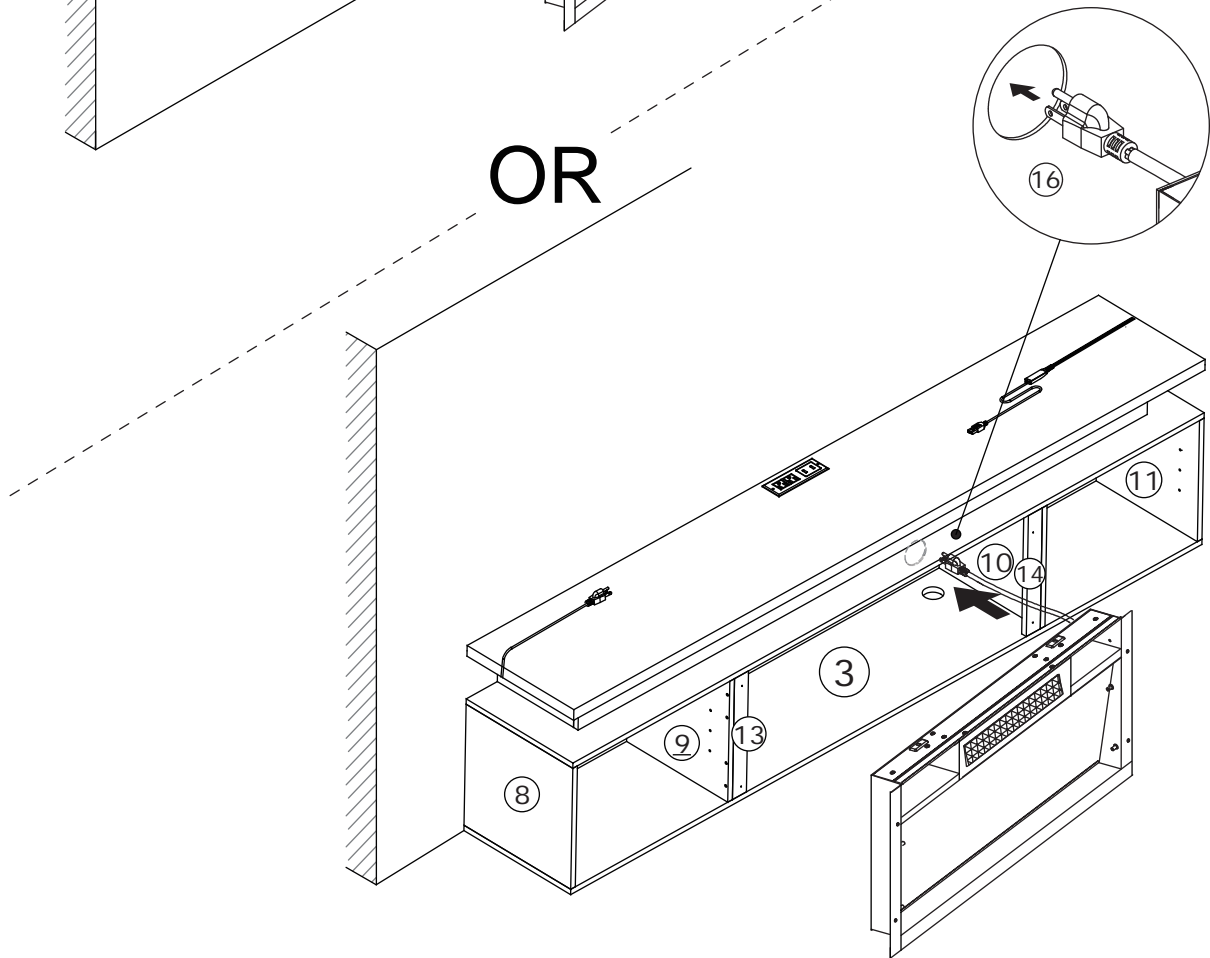


18


Put the right side of the fireplace into the cabinet first.

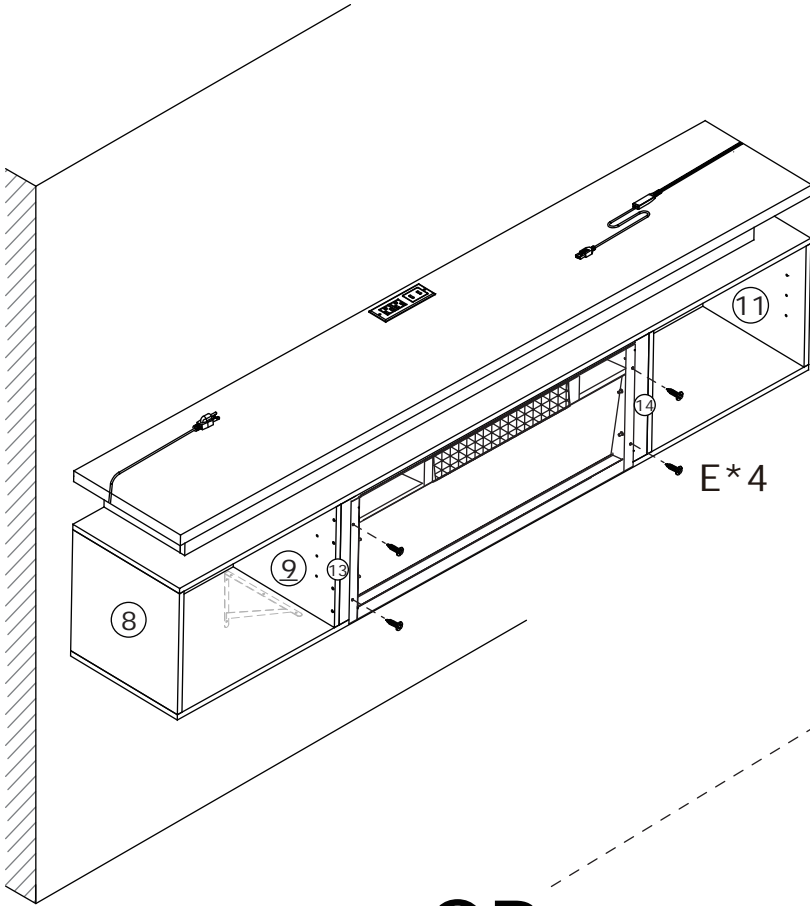


OR

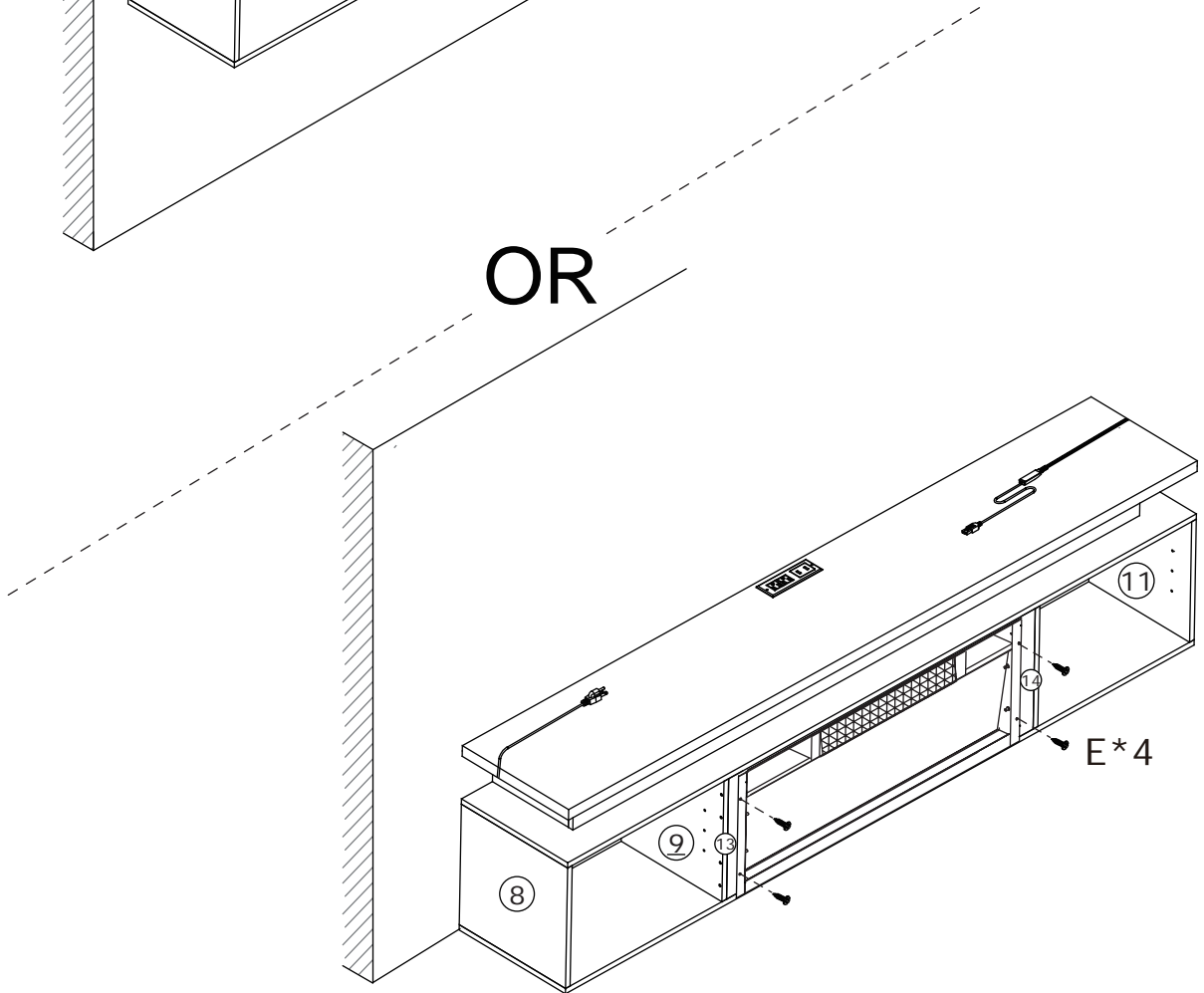


19

E  x4

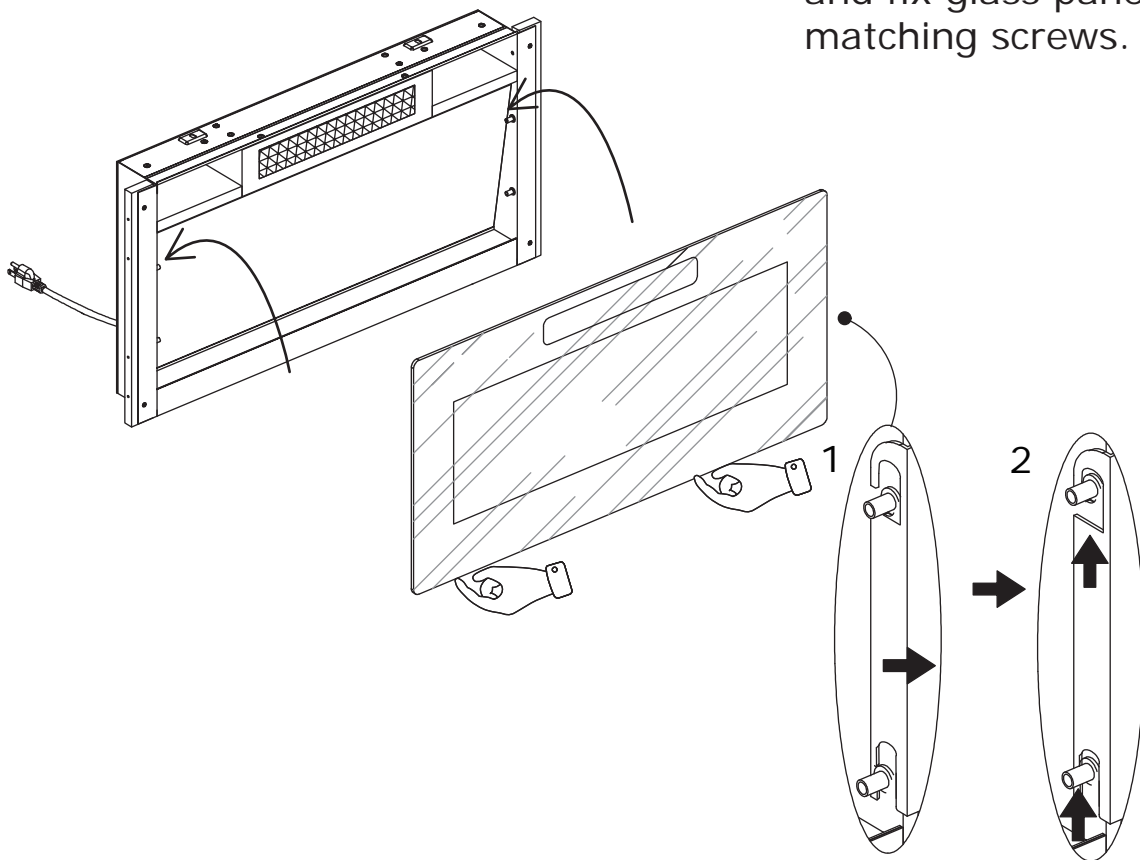


OR

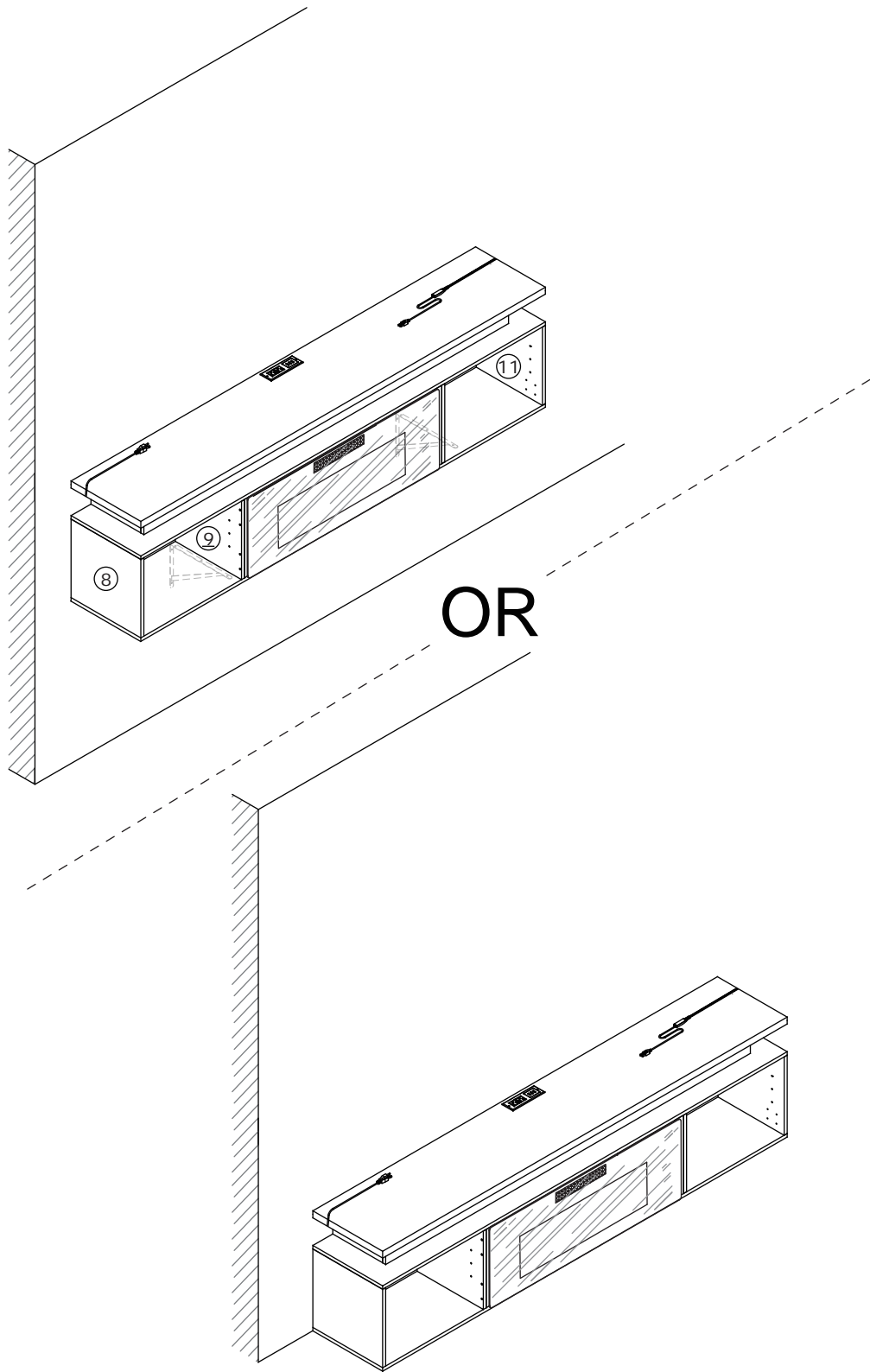


## Step 4

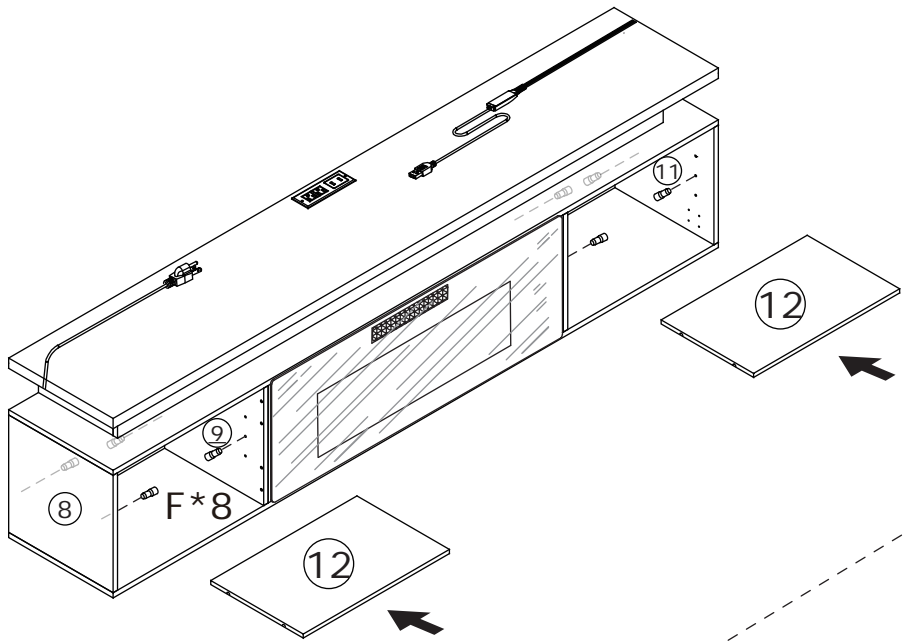
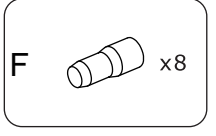
Connect the power cord and fix glass panel using matching screws.



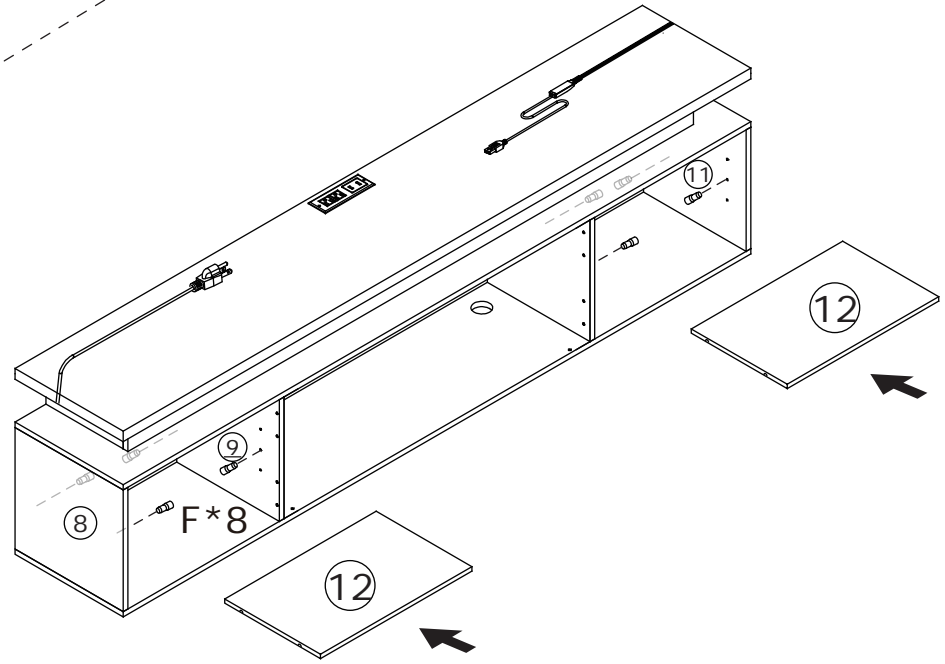
21



22

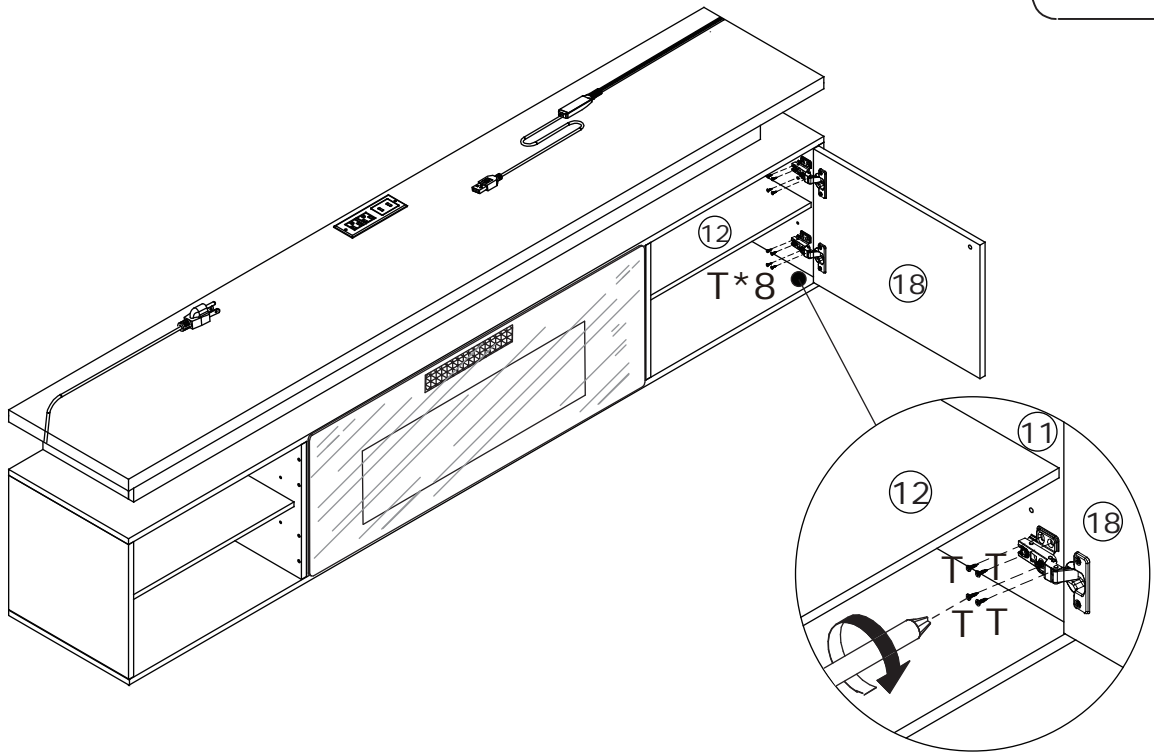
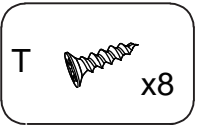


OR

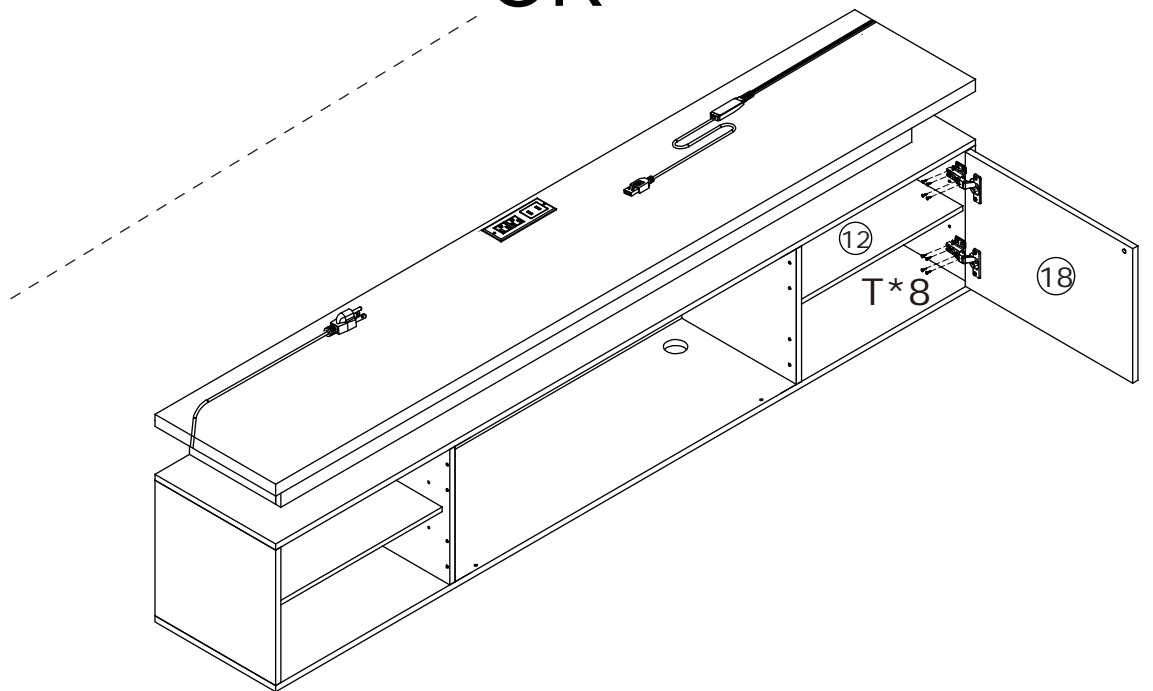


23

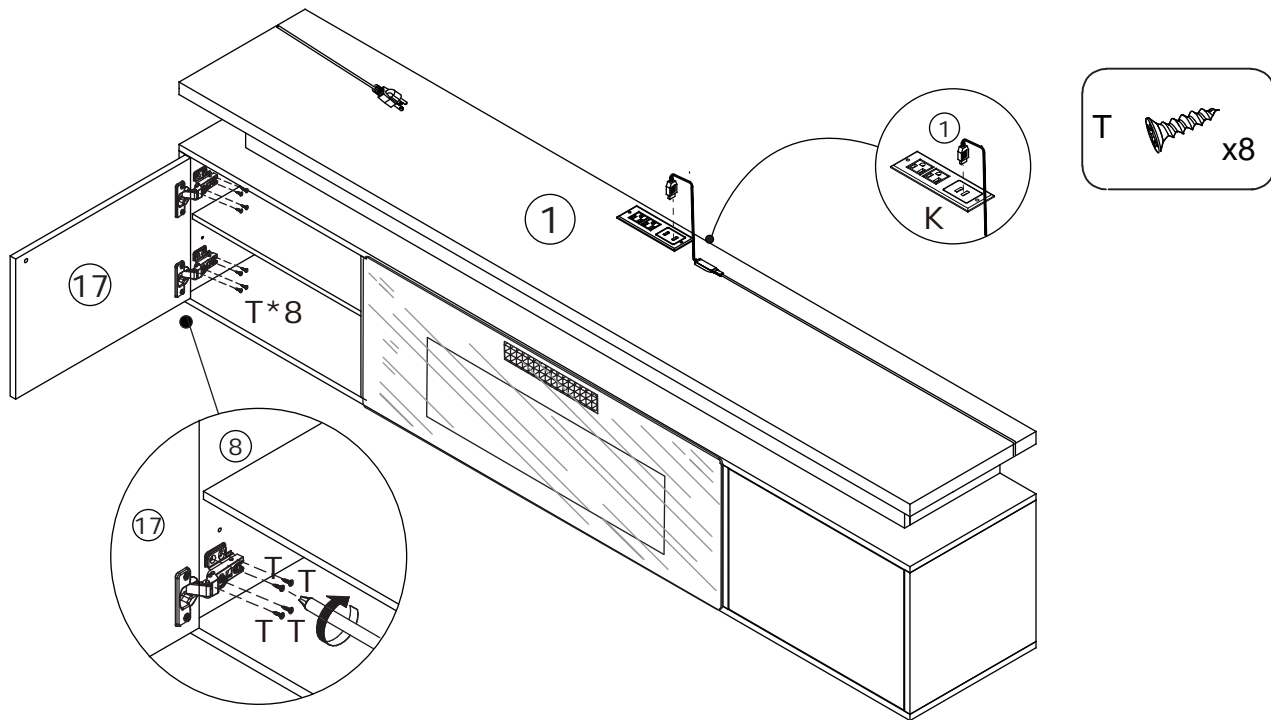
Refer to page 22



OR

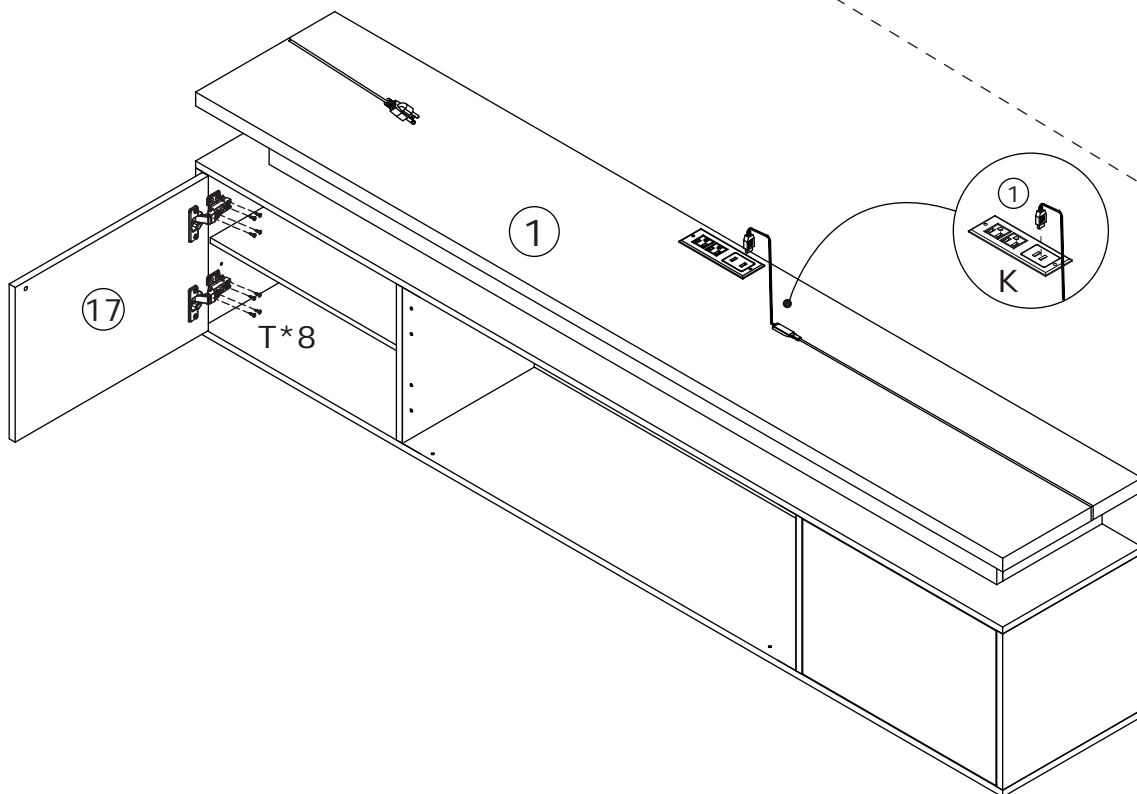


24

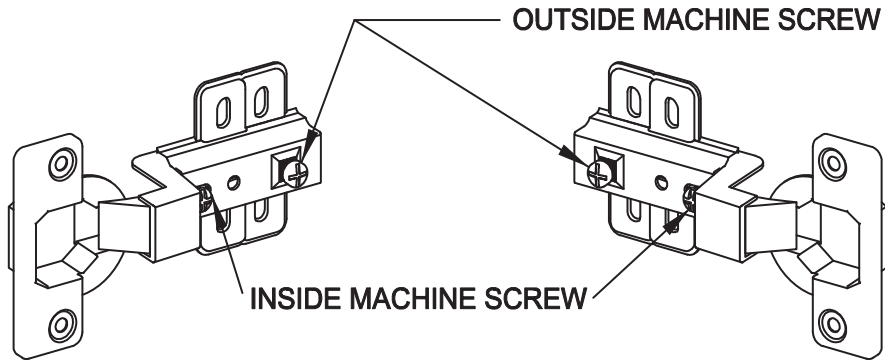


Refer to page 22

OR



# HINGE ADJUSTMENT SUPPLEMENT



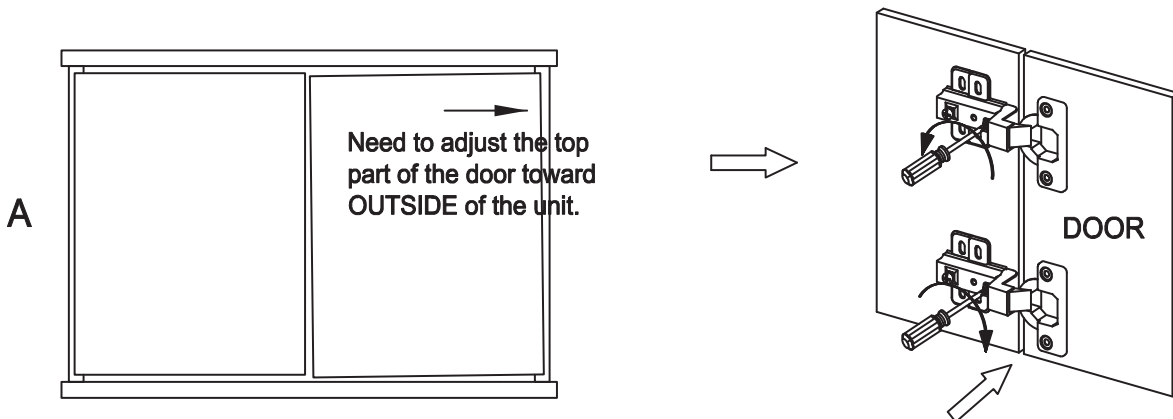
In the event that the door does not align properly, the INSIDE Machine Screws located on the Hinges are for adjusting slightly to the Left or Right. **DO NOT LOOSEN THE OUTSIDE MACHINE SCREW FOR ADJUSTMENT.**

A. To adjust the door toward the OUTSIDE of the unit, turn the Inside Machine Screws to the LEFT, or COUNTERCLOCKWISE. (See Figure A)

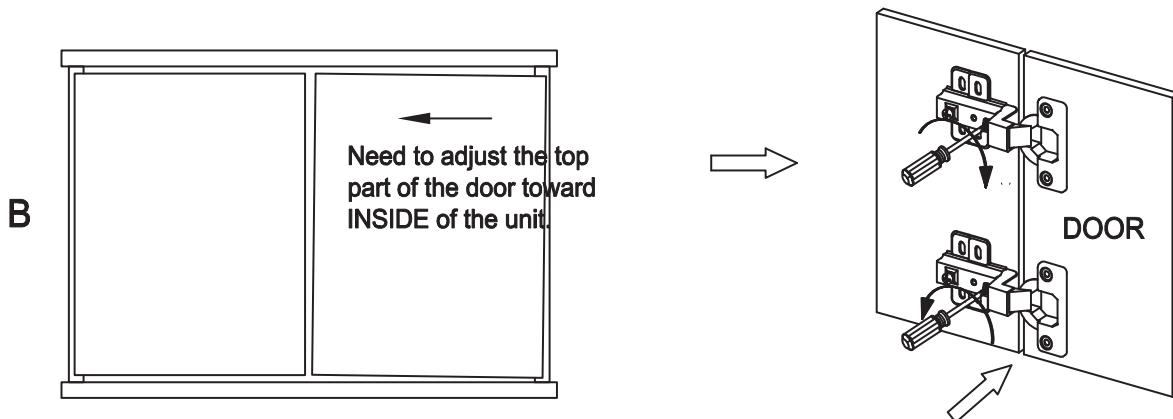
B. To adjust the door toward the INSIDE of the unit, turn the Inside Machine Screws to the RIGHT, or CLOCKWISE. (See Figure B)

**\*Note: Please be patient, it may take several minutes to adjust properly.**

Only once the door is in the desired position, fully tighten the OUTSIDE Machine Screws. This will ensure that the door is secure.



You may also need to adjust slightly the lower part of the door toward INSIDE of the unit at the same time.



You may also need to adjust slightly the lower part of the door toward OUTSIDE of the unit at the same time.