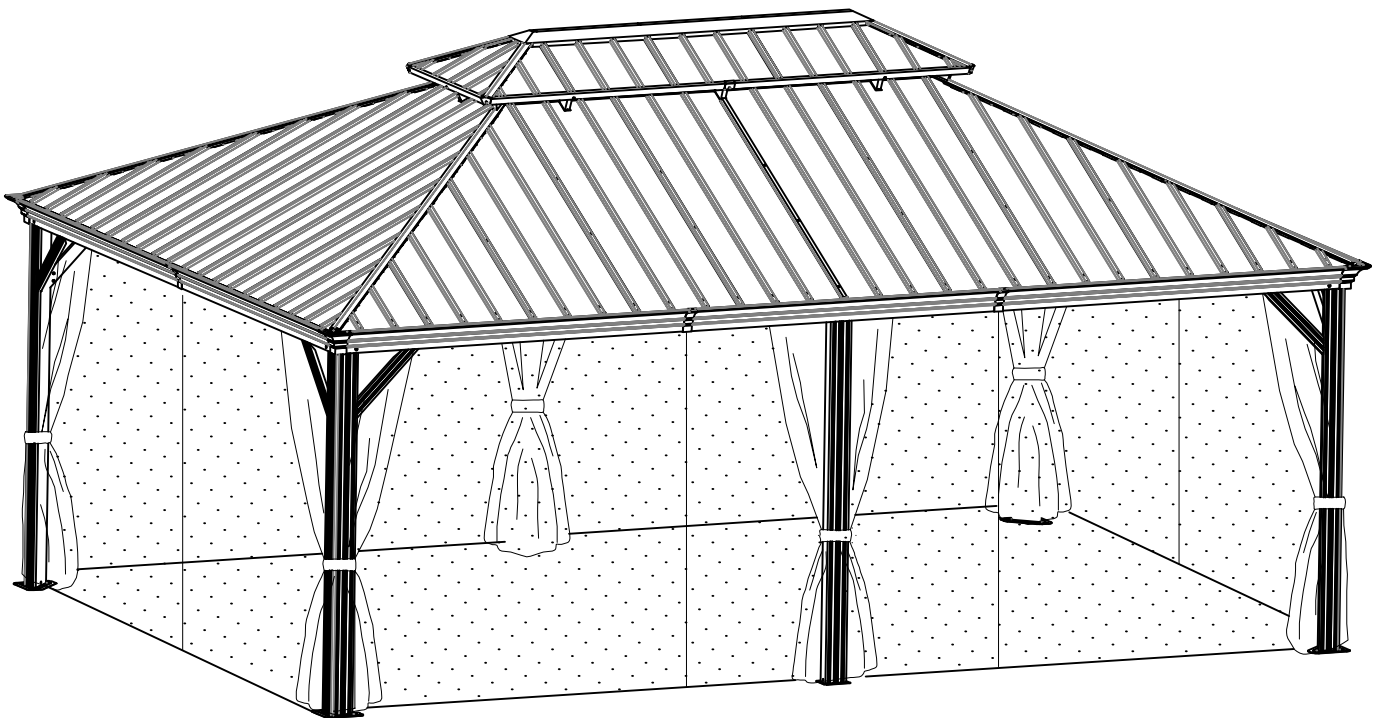


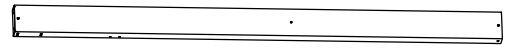
14 x 20FT

□ □ □ □ □ □ □ XWG - 251MS-2 □ □ □ □ □ □ □ □





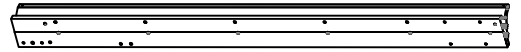
A 4x



A1 2x



B11 4x



B12 4x



B8 2x



E4 4x



E5 4x



C3 4x



C4 4x



C11 2x



C12 2x



D11 2x



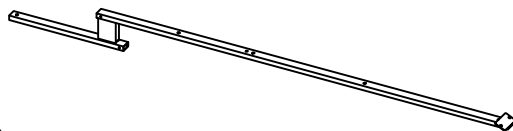
D12 2x



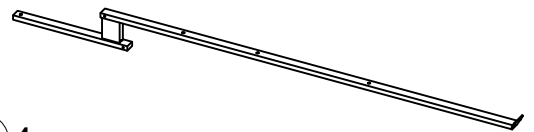
D13 4x



D14 4x



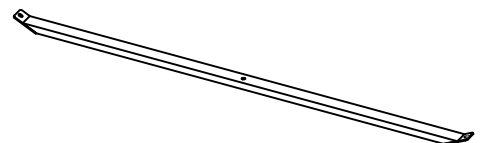
E6 2x



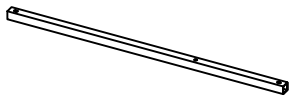
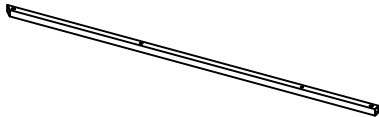
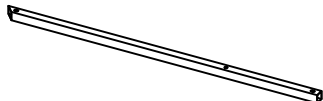
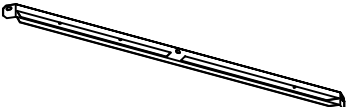


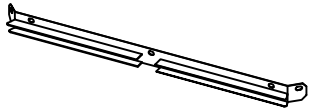


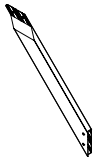
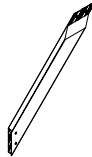
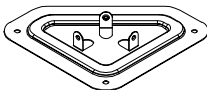
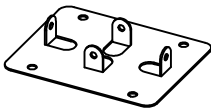
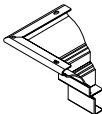

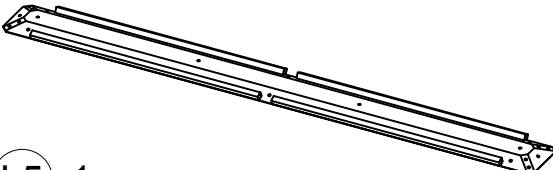
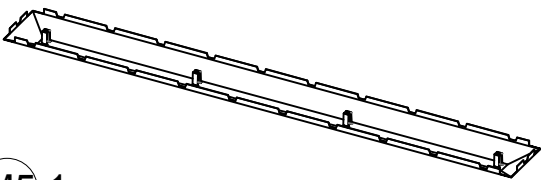

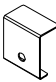
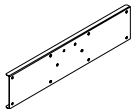
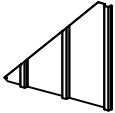
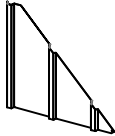
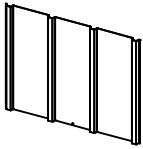
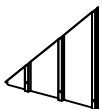
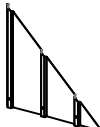
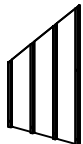

E7 4x



E8 2x



F8 3x

			
F4 8x	F6 8x	F7 8x	
			
G1 2x	G7 2x	G8 2x	
			
I1 2x	I7 2x	I8 2x	
			
H 4x	H1 4x	J 4x	J1 2x
			
K 4x	K1 6x	L5 1x	
			
M5 1x		N 8x	N1 2x
			
P 6x	S1 4x	S2 4x	S3 6x
			
R1 4x	R2 4x	R3 4x	R4 4x

P5 4x	P6 4x	P7 2x	P8 2x	
P9 6x	V1 2x	V5a 2x	V5b 2x	
T 4x + 2x	T1 4x + 2x	U 160x	Y 134x	
V 6x	W 8x	W1 16x	W3 8x	W4 8x
W5 4x	Z 72x	Z1 16x	Z2 8x	15 40x M5x15
1 408x M6x15	2 96x M6x23	3 2x M6x25	4 28x ST 4.8x12	
5 3x	6 4x M6x42	7 32x M6x47	8 16x	
9 12x M6x10	10 20x	12 2x 4mm	14 1x	

<1>

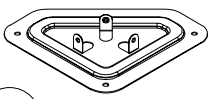
A 4x



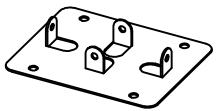
A1 2x



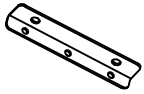
J 4x



J1 2x



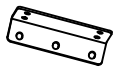
W3 8x



W4 8x



W5 4x



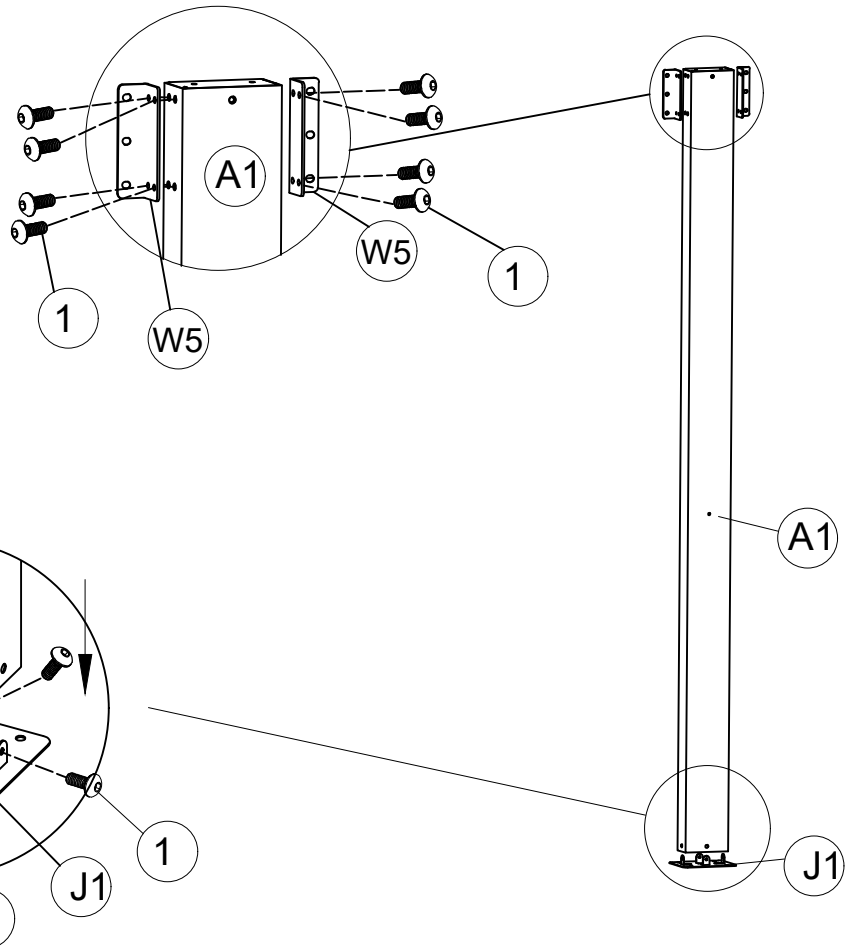
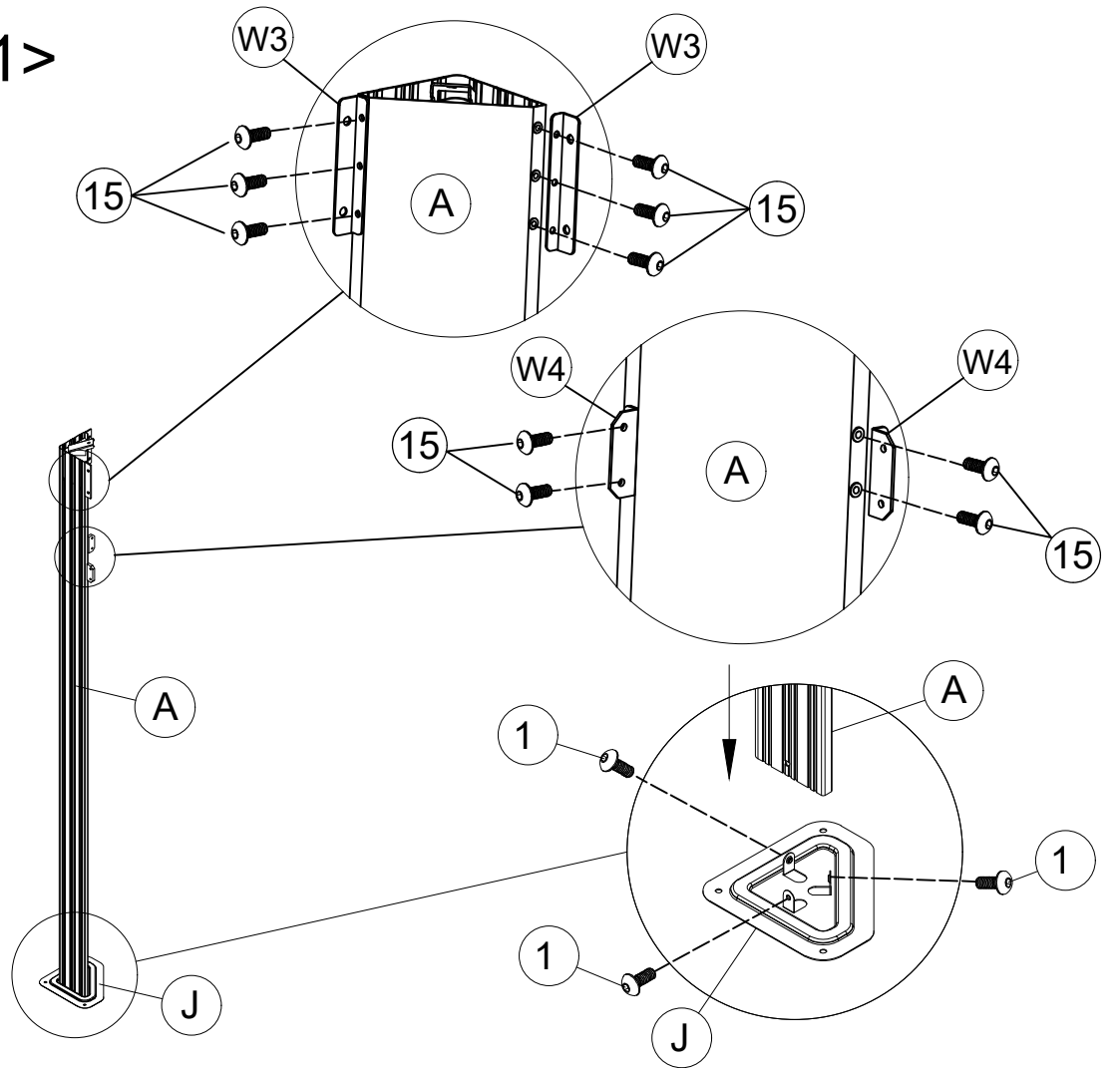
1 36x
M6x15



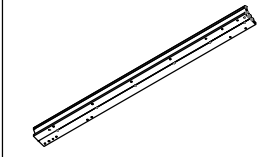
15 40x
M5x15



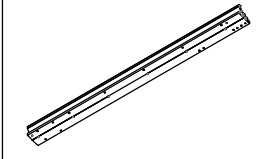
5



<2>



B11 2x



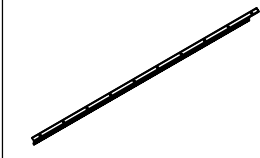
B12 2x



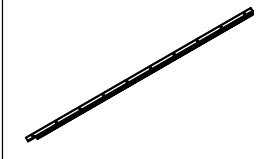
C3 2x



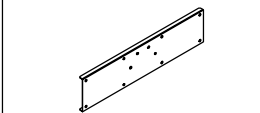
C4 2x



D13 2x



D14 2x

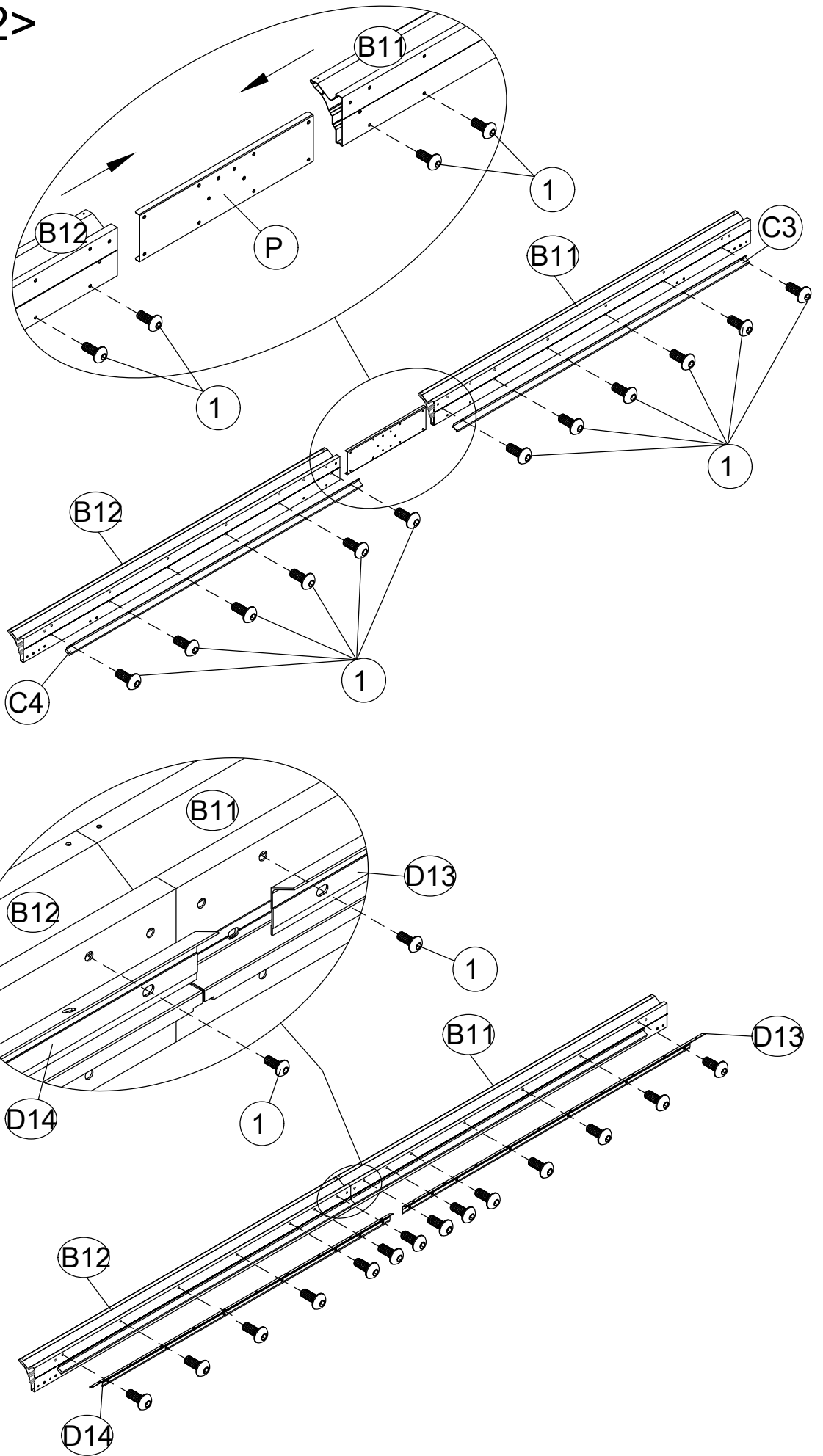


P 2x

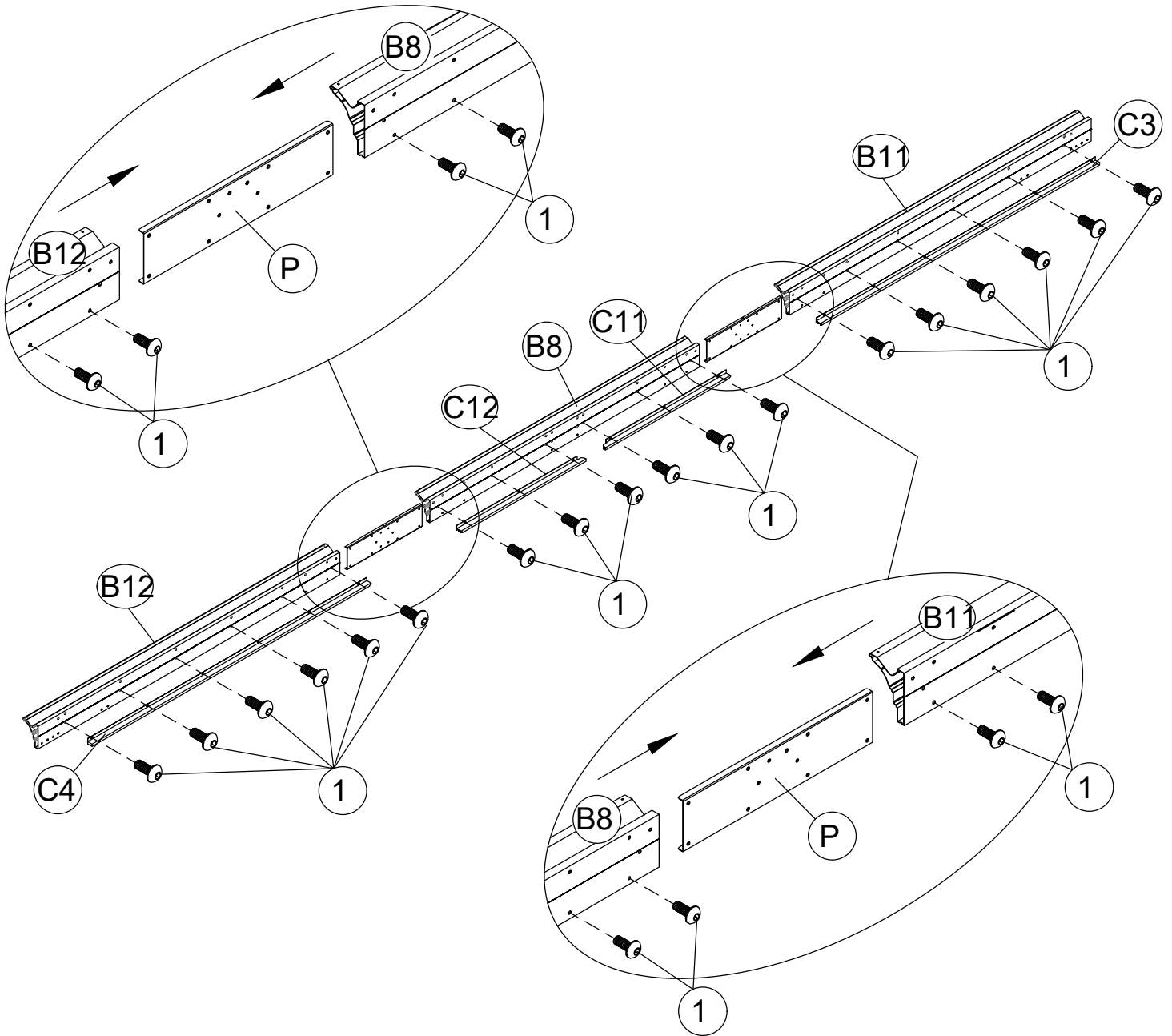


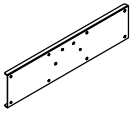

1 60x M6x15


6

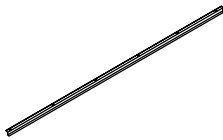



<3>






P 4x

1 52x M6x15
7



C3 2x



C4 2x


C11 2x

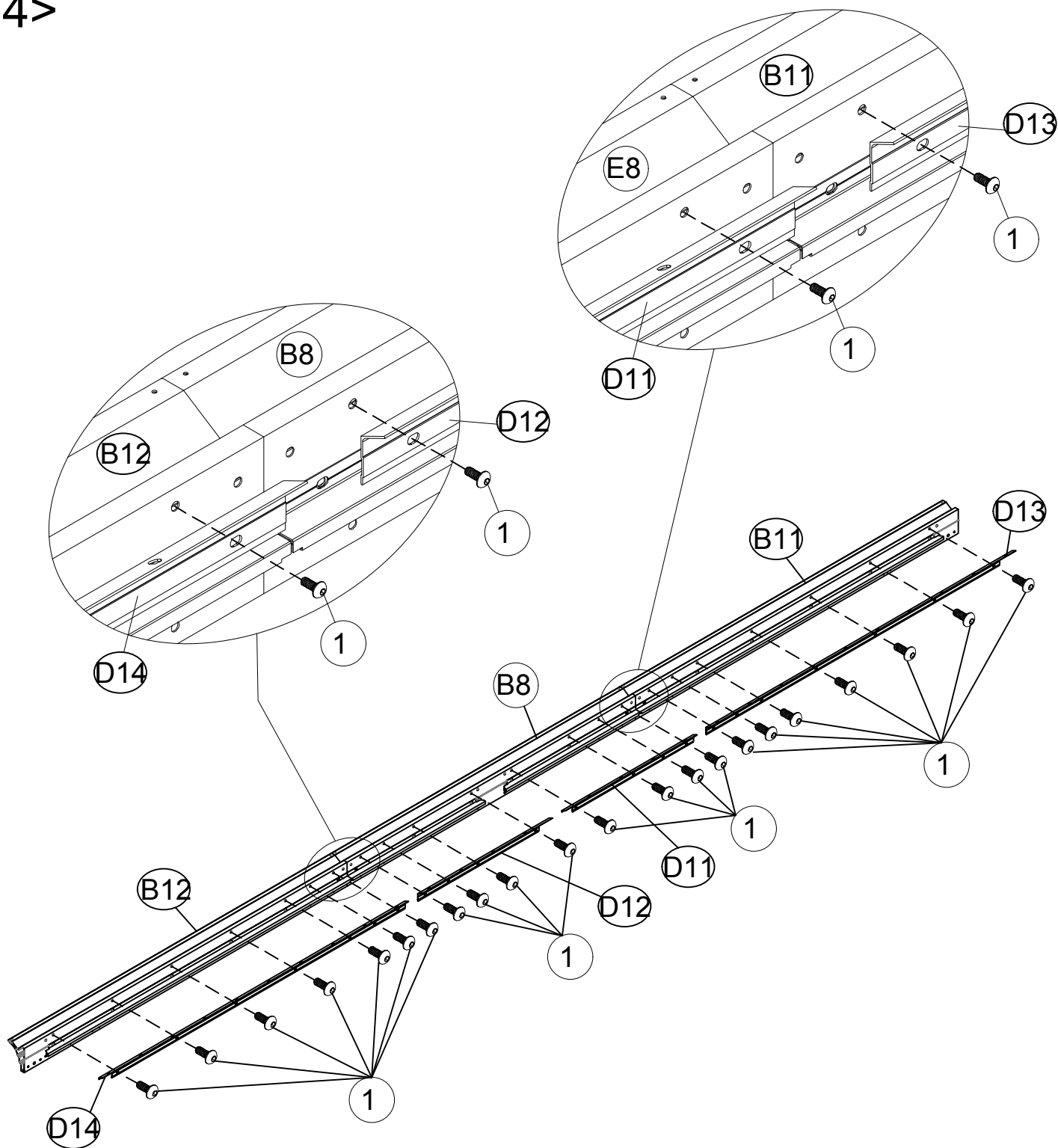

C12 2x







B11 2x


B12 2x


B8 2x

<4>



 1 44 M6x15	 D11 2x	 D12 2x
8	 D13 2x	 D14 2x



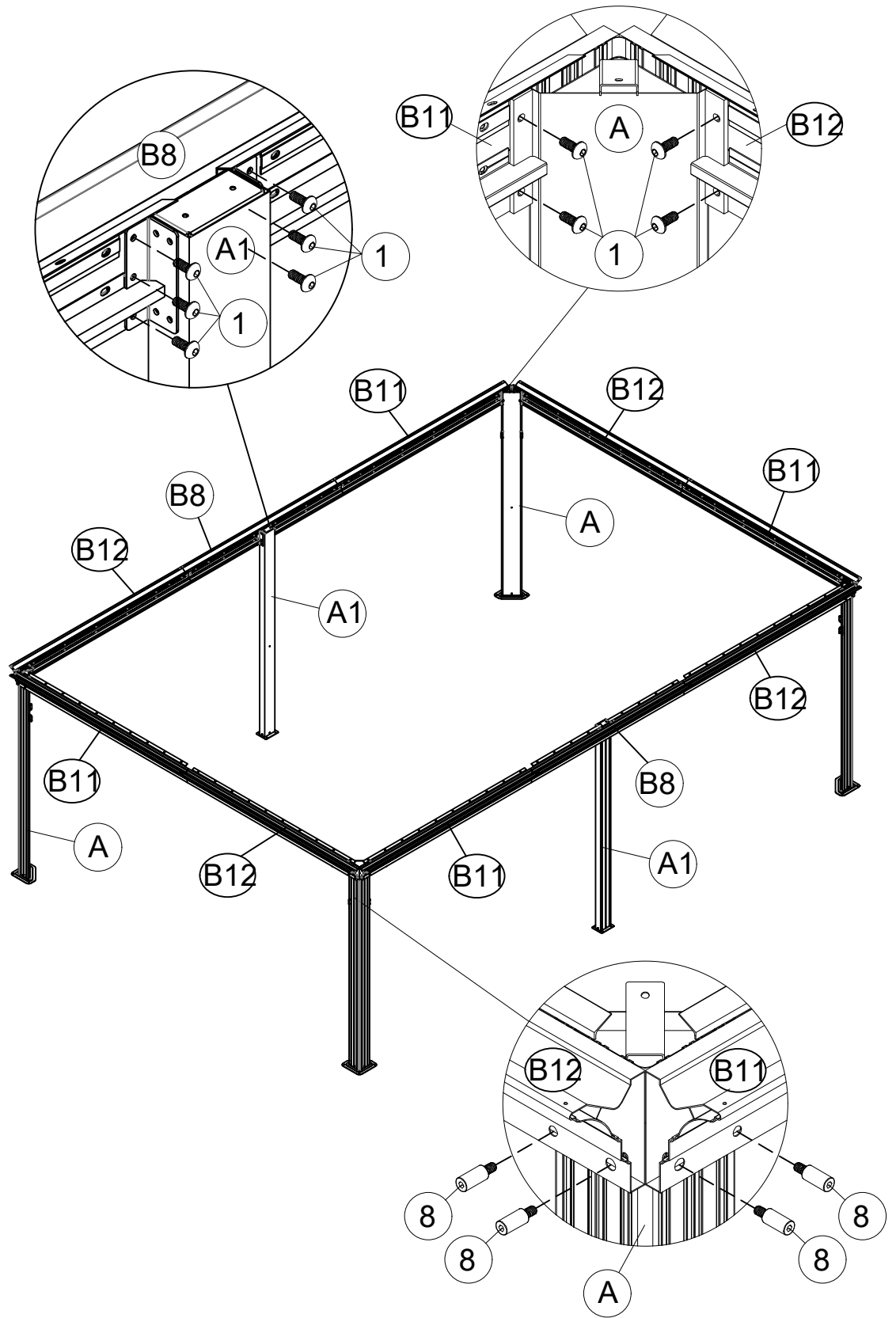
<5>

M6x15

1 28x

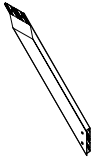


8 16x

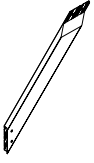


9

<6>



H 4x



H1 4x

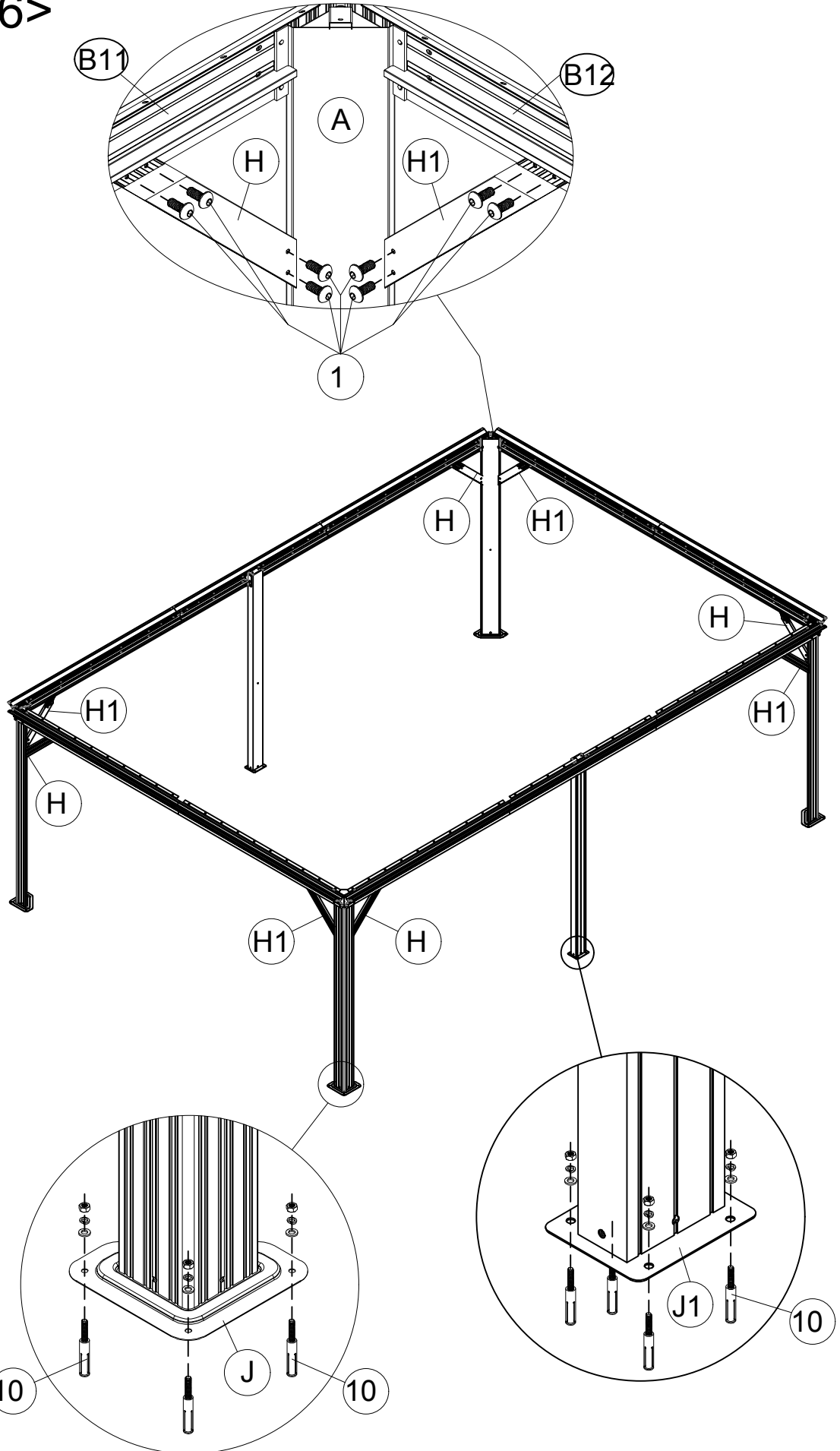


M6x15

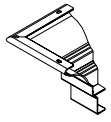
1 32x



10 20x

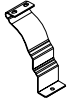


10

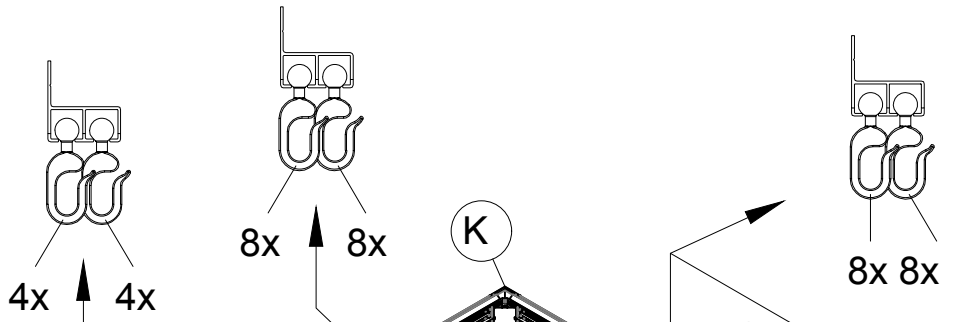


<7>

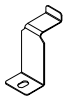
(K) 4x



(K1) 6x



(U) 160x



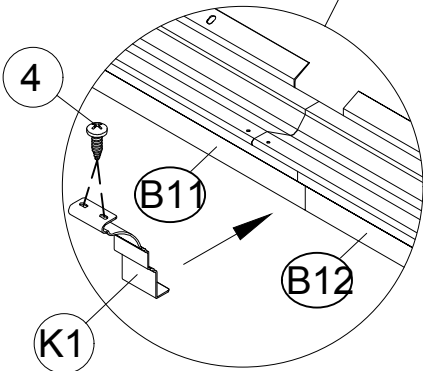
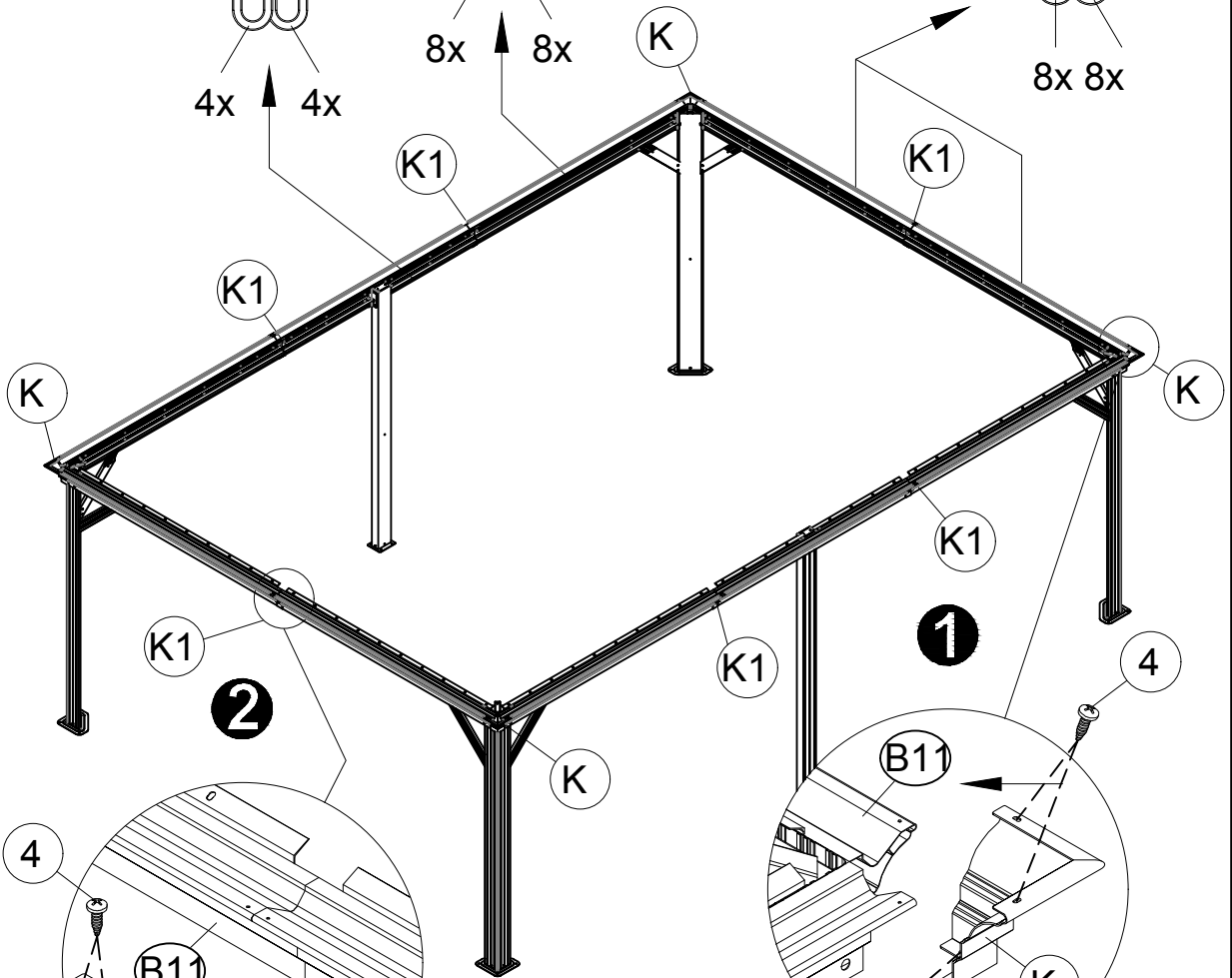
(V) 6x



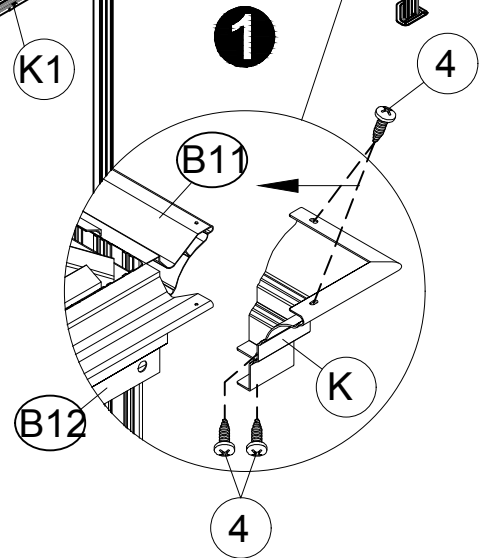
(1) 6x M6x15



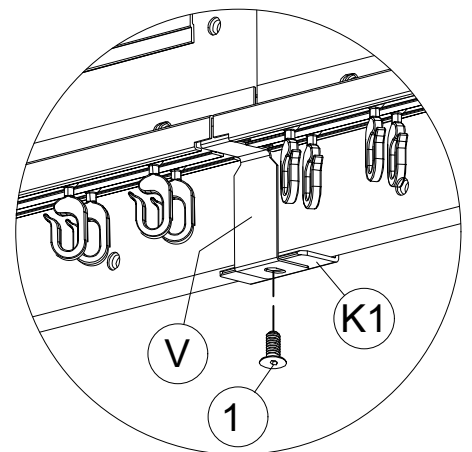
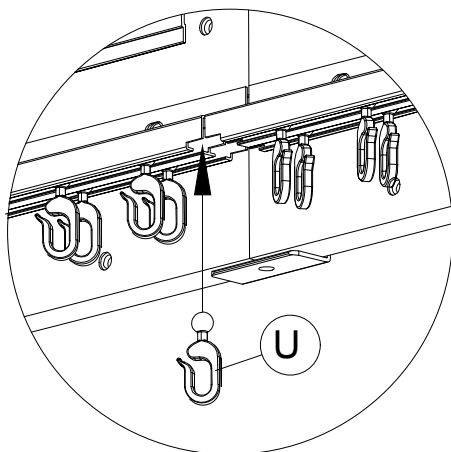
(4) 28x ST4.8x12



3



4

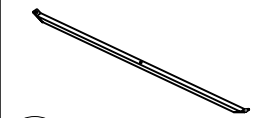




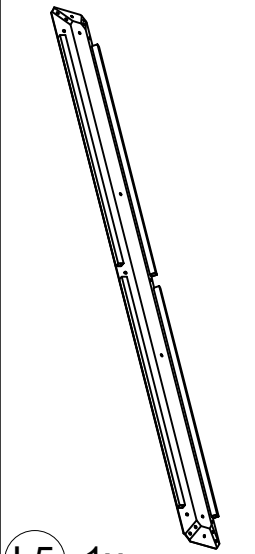
E6 2x



E7 4x



F8 3x



L5 1x

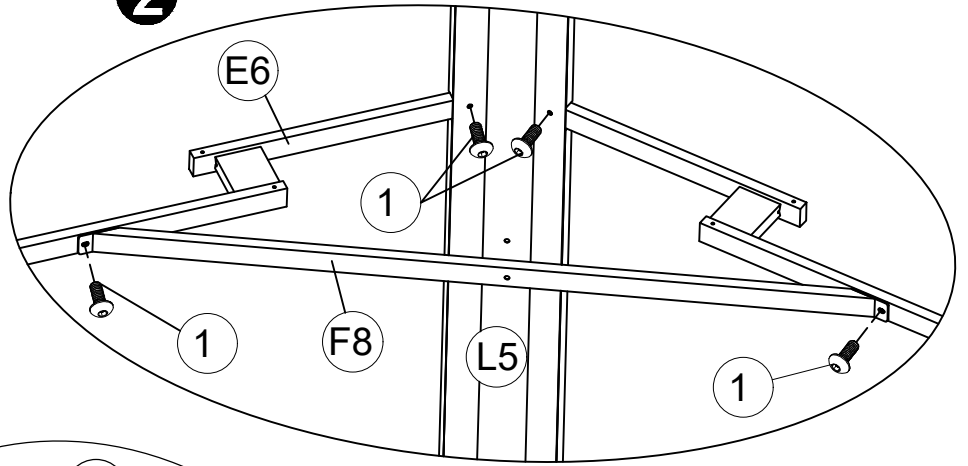


M6x15

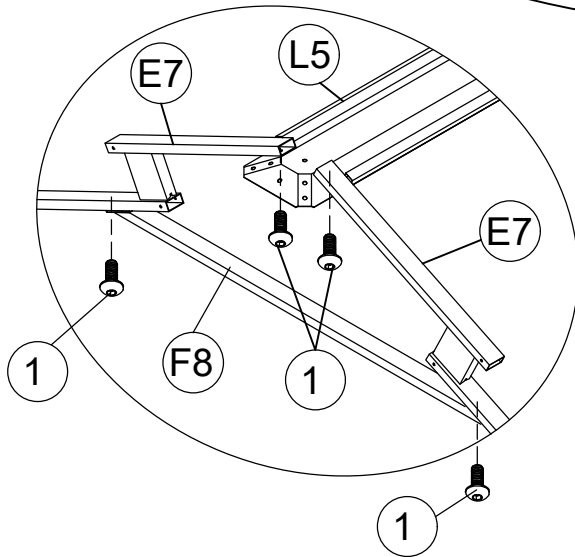
1 24x

<8>

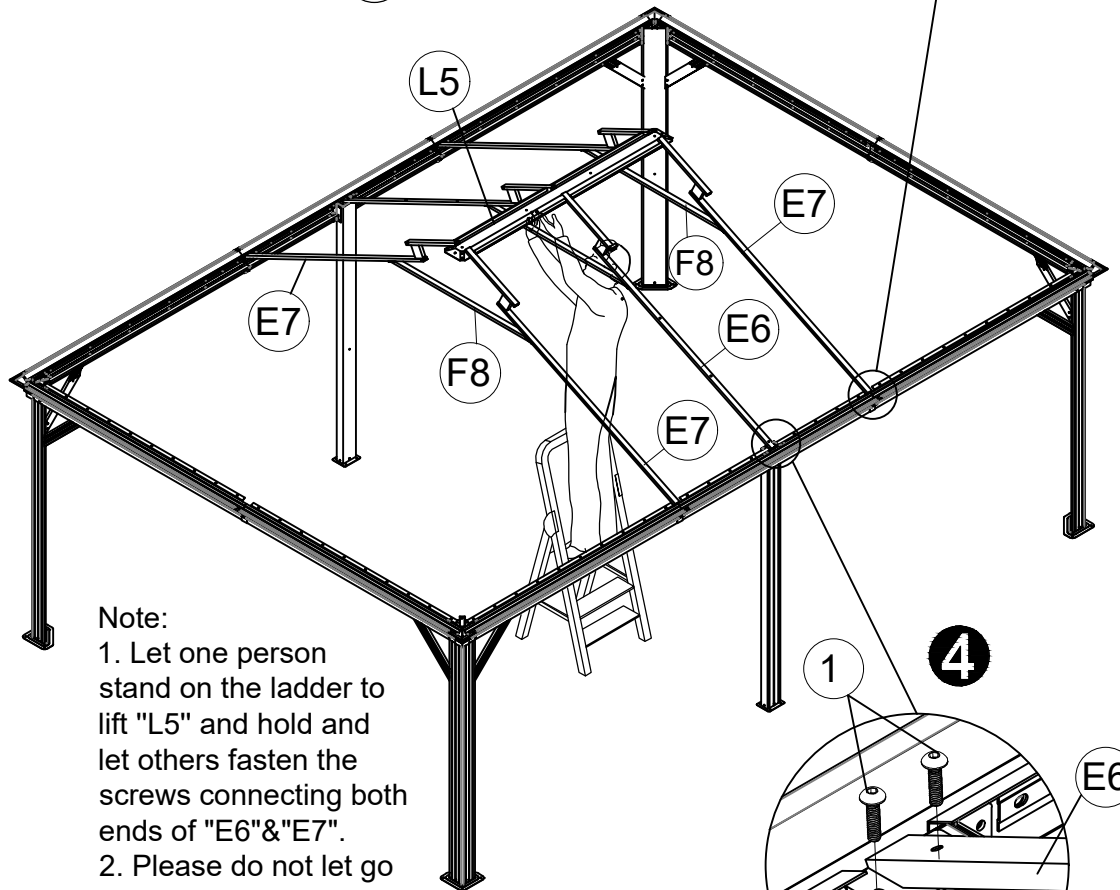
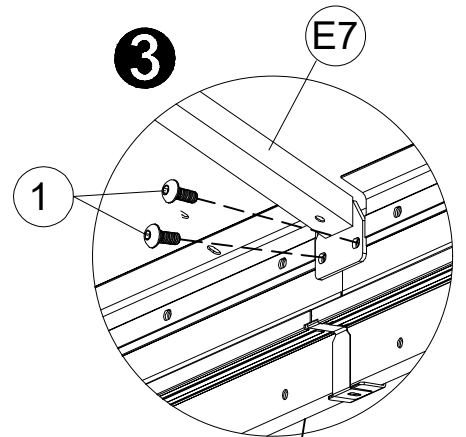
2



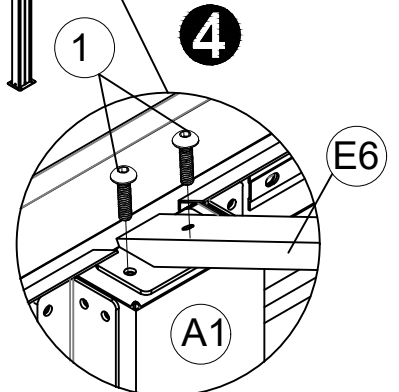
1



3

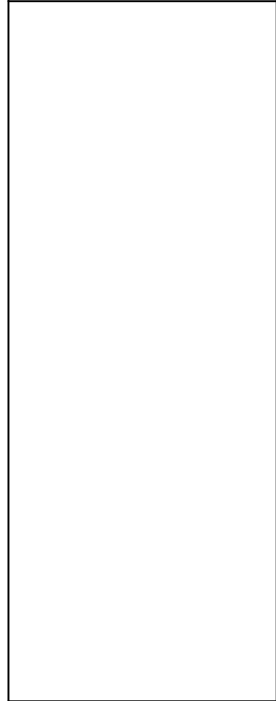
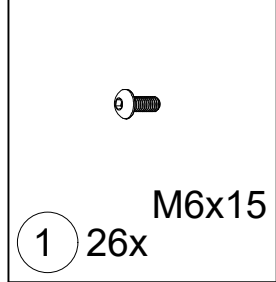
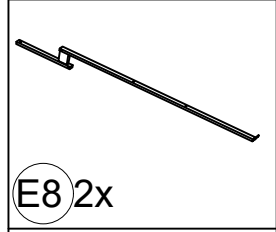
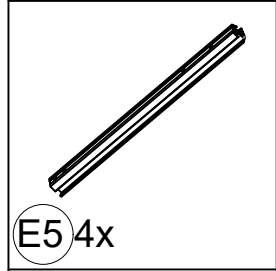
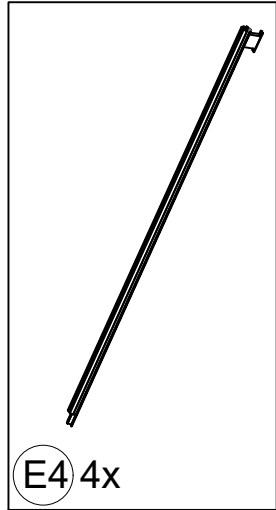


4

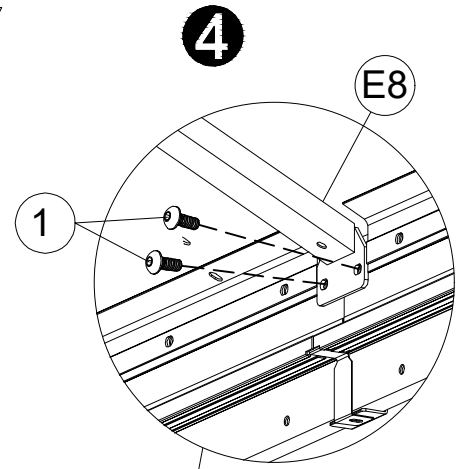
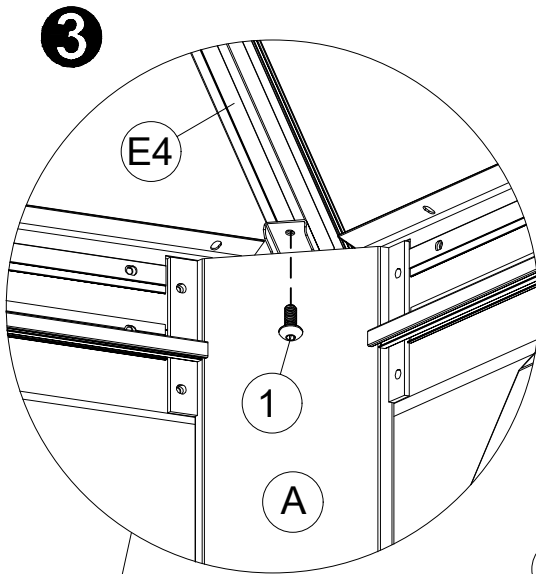
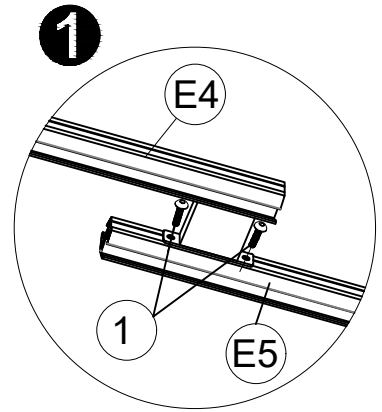
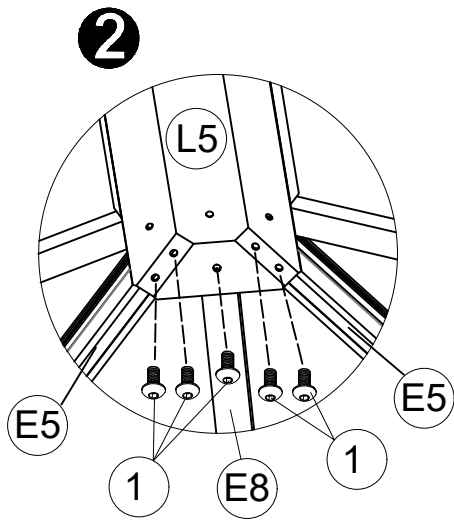


Note:

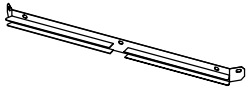
1. Let one person stand on the ladder to lift "L5" and hold and let others fasten the screws connecting both ends of "E6" & "E7".
2. Please do not let go of holding "L5" until all the "E6" & "E7" screws are installed.



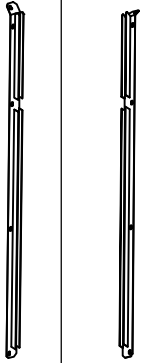
<9>



<10>



I1 2x



I7 2x

I8 2x



N 4x

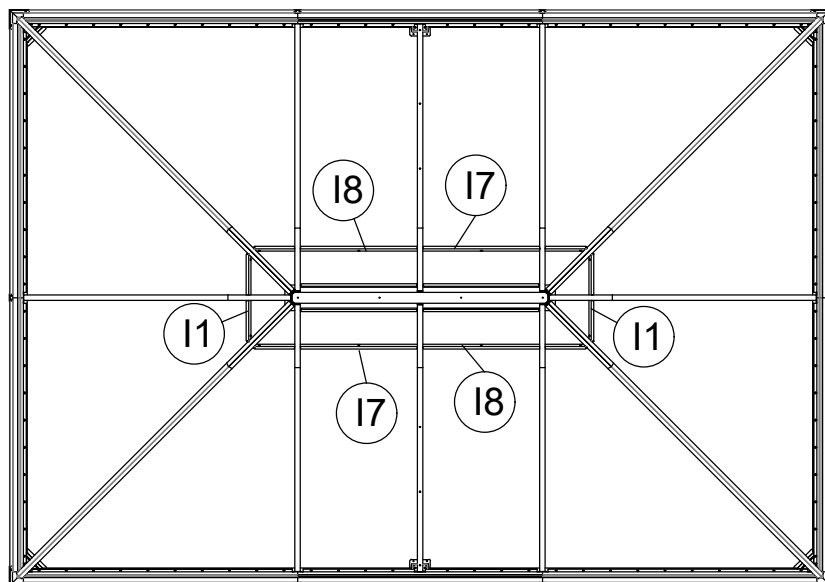
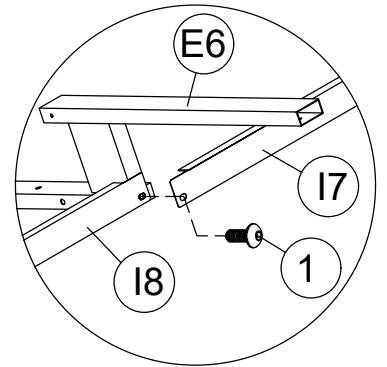
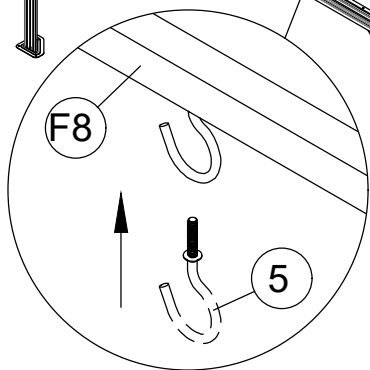
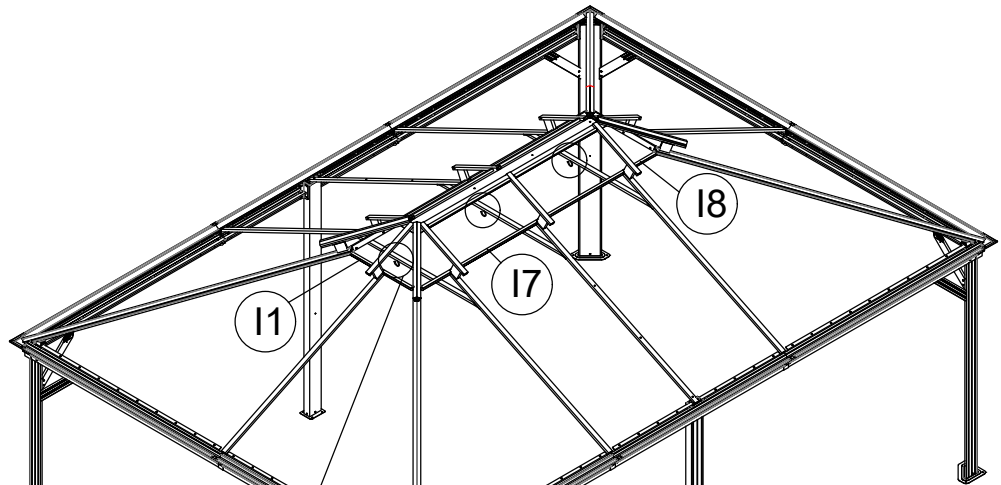
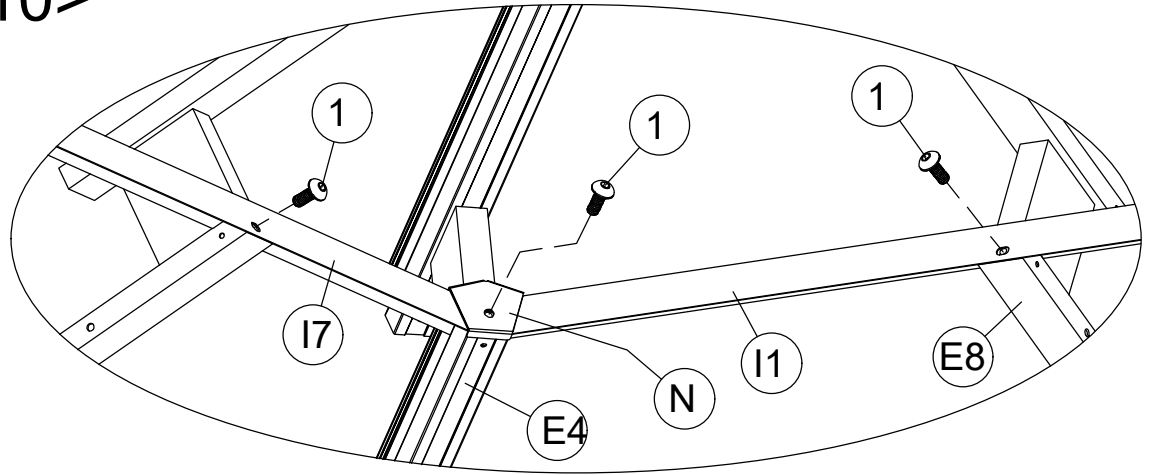


M6x15

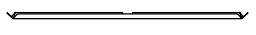
1 12x



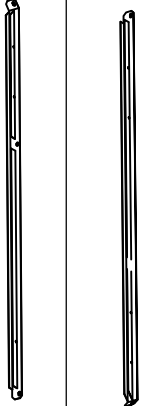
5 3x



<11>



G1 2x



G7 2x

G8 2x



N 4x

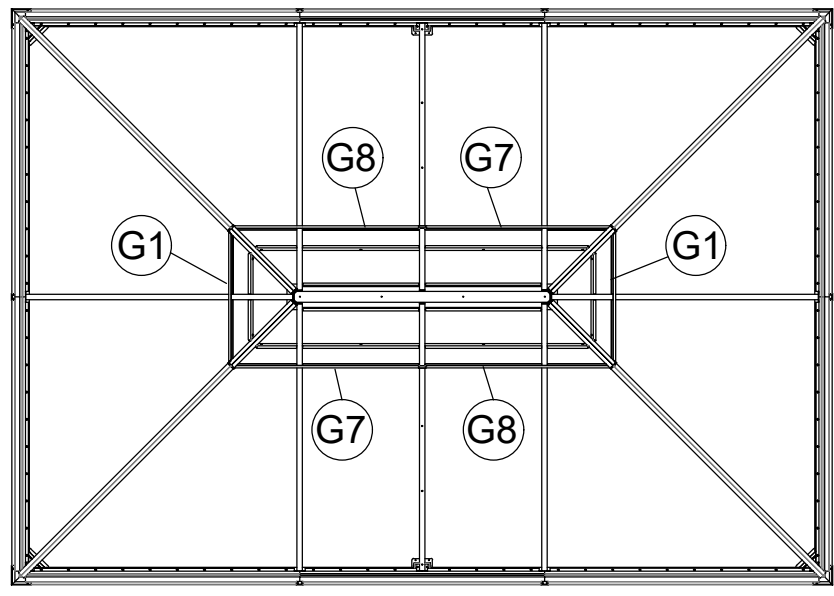
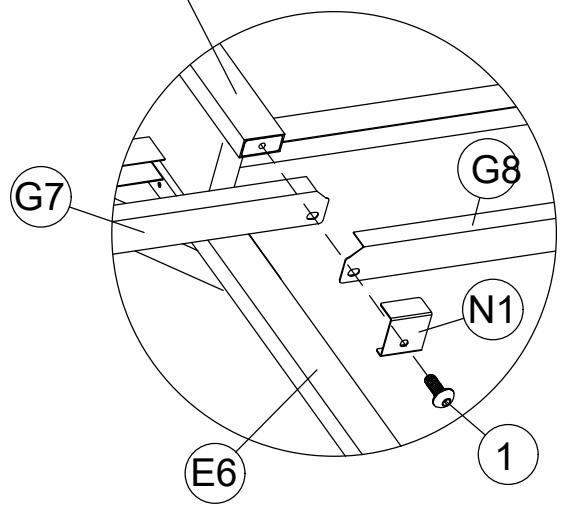
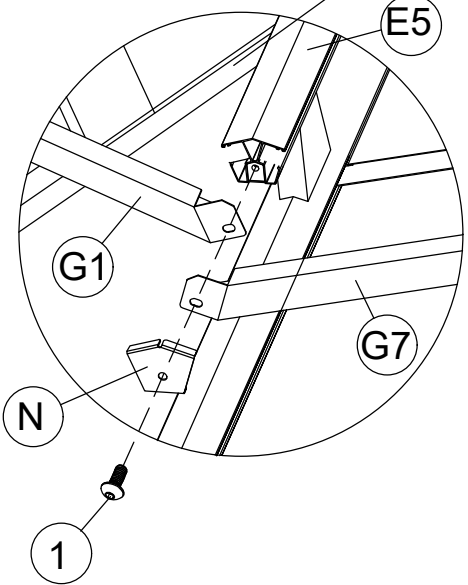
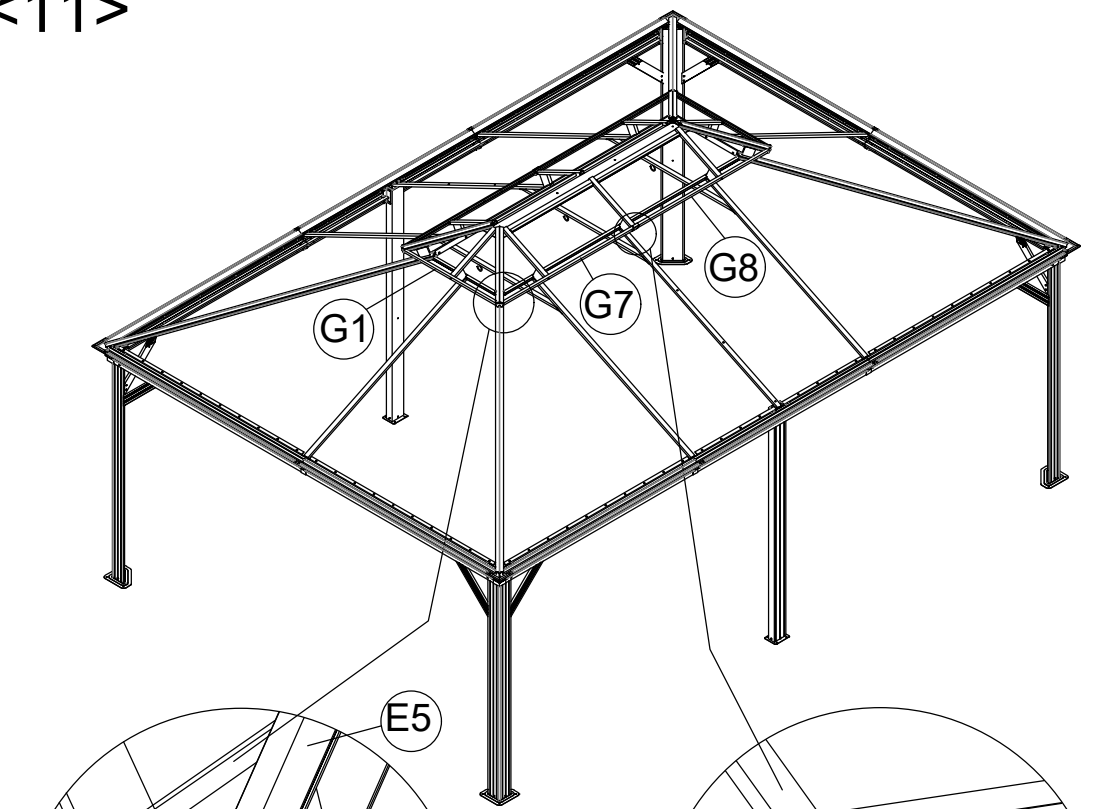


N1 2x



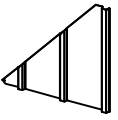
1 12x

M6x15

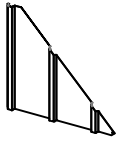


<12>

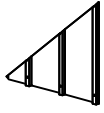
S1 2x



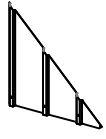
S2 2x



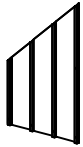
R1 2x



R2 2x



R3 2x



R4 2x



P5 2x



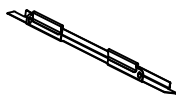
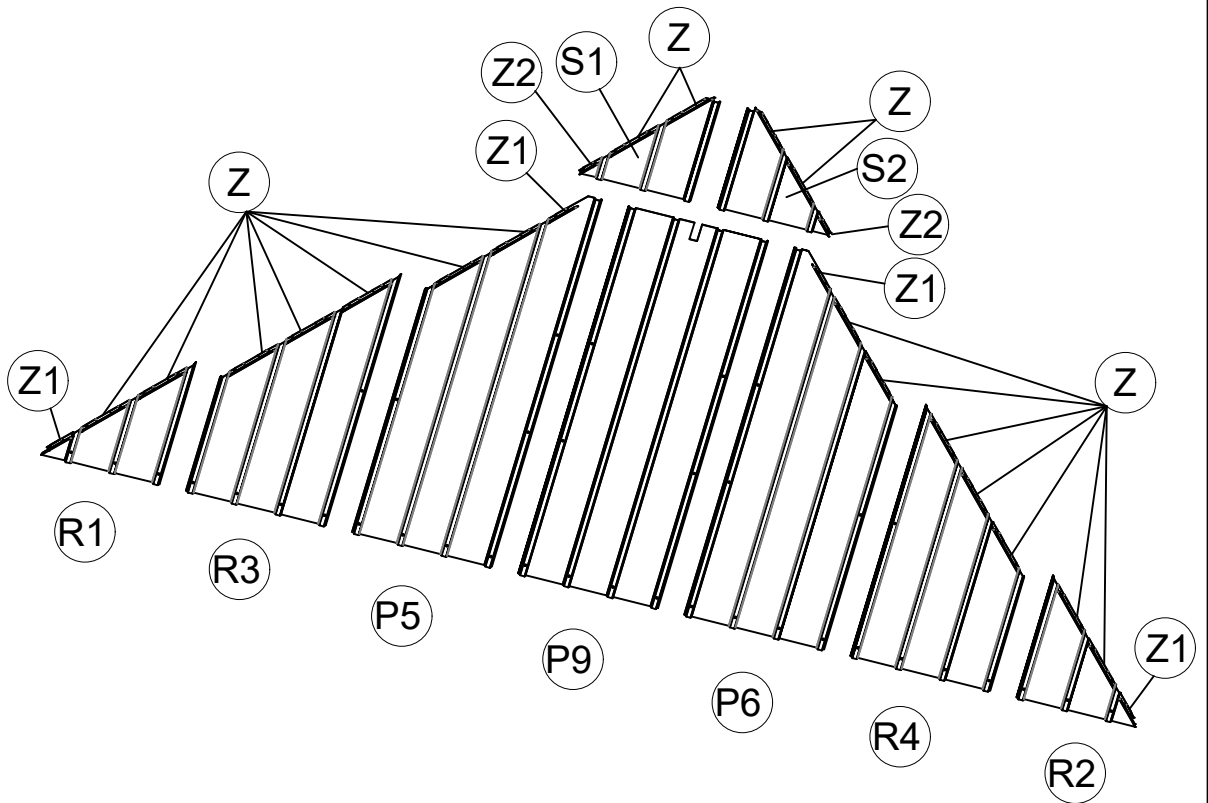
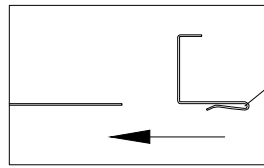
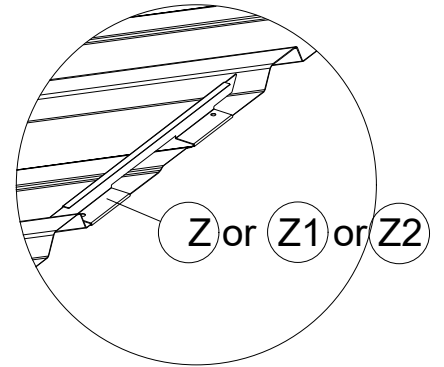
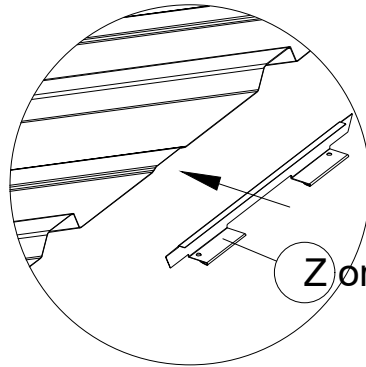
P6 2x



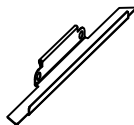
P9 2x



16



Z 36x



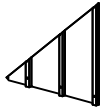
Z1 8x



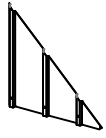
Z2 4x

<13>

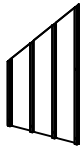
(R1) 2x



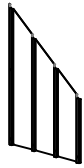
(R2) 2x



(R3) 2x



(R4) 2x



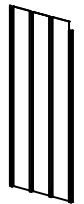
(P5) 2x



(P6) 2x



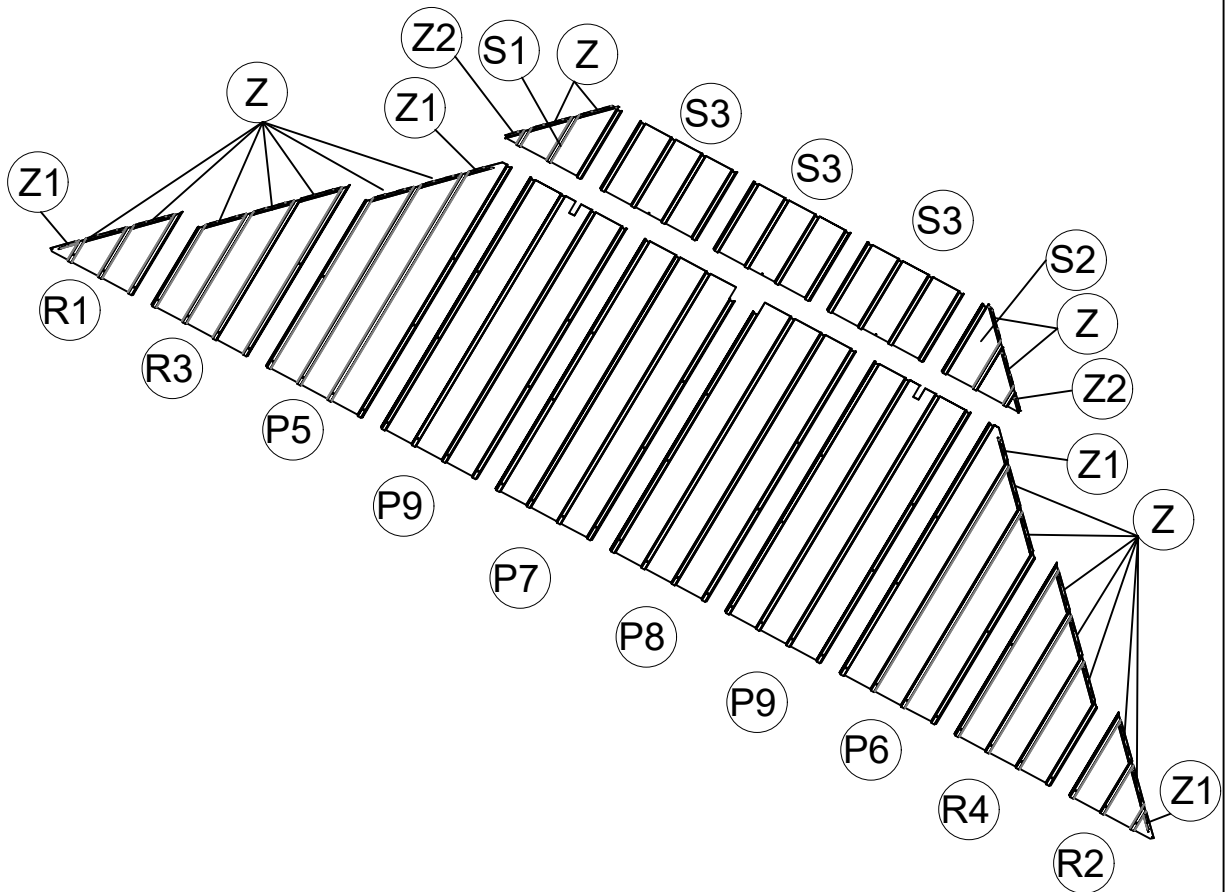
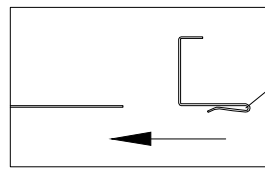
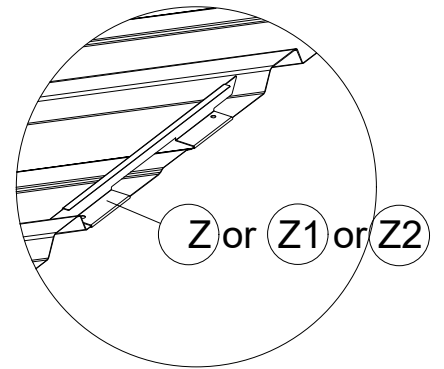
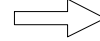
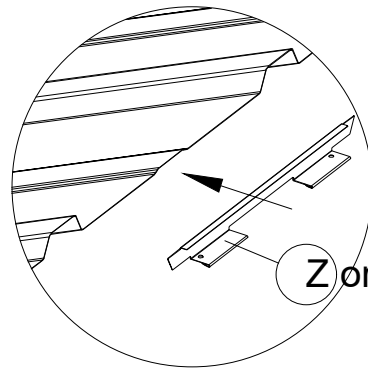
(P7) 2x



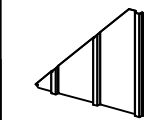
(P8) 2x



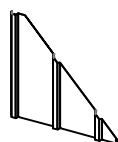
(P9) 4x



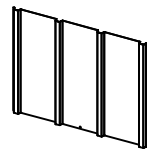
17



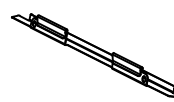
(S1) 2x



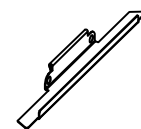
(S2) 2x



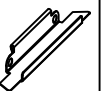
(S3) 6x



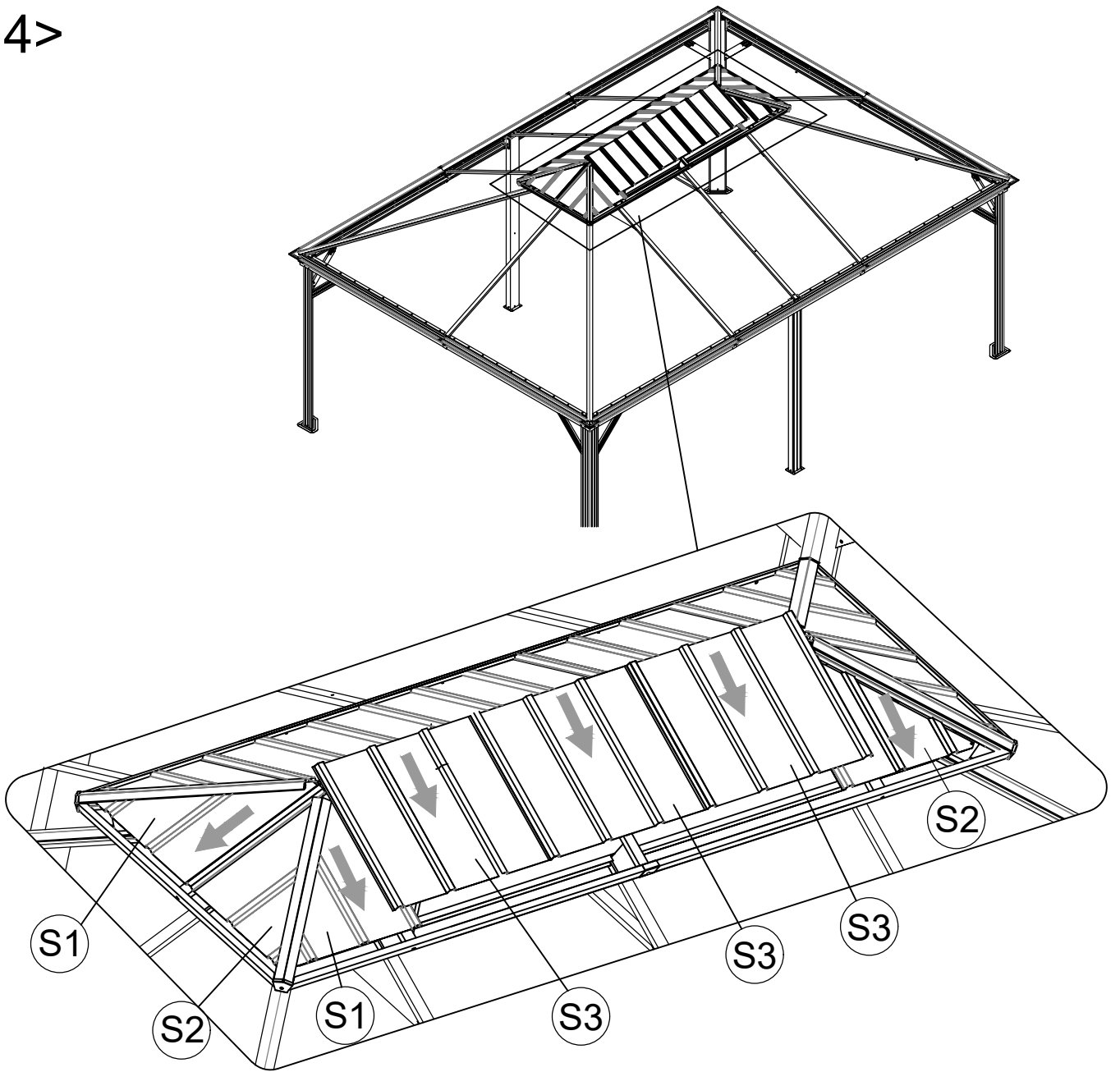
(Z) 36x



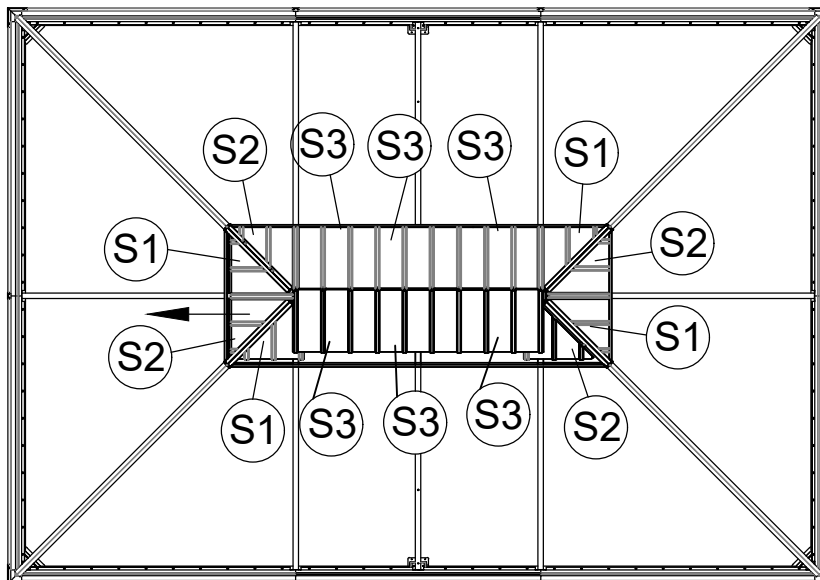
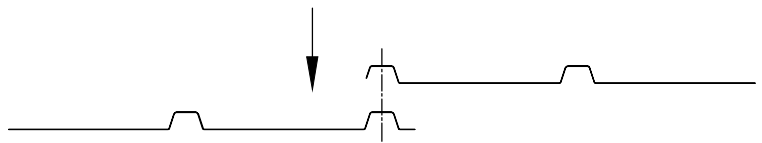
(Z1) 8x



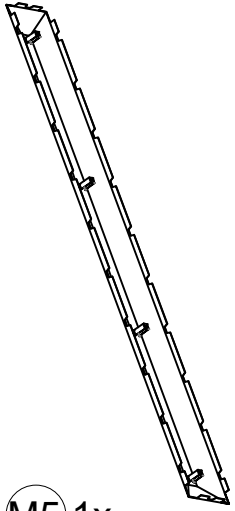
(Z2) 4x



When installing the Roof plates (S2) onto short side, pls detach the right end of Roof Rib(G1) first. And then install the right end of Roof Rib (G1) again after S2 is installed.

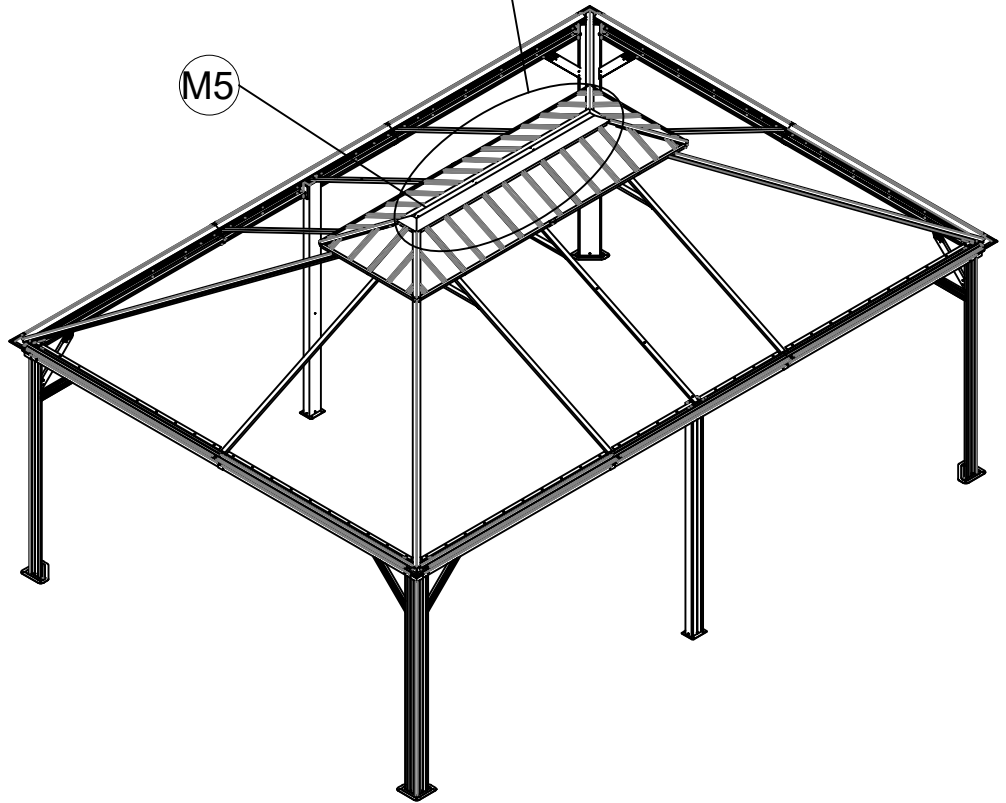
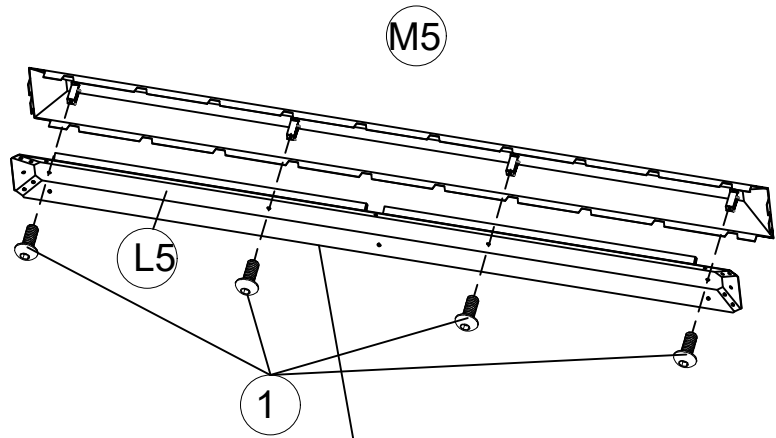


<15>



M6x15

1 4x



<16>

F4 8x

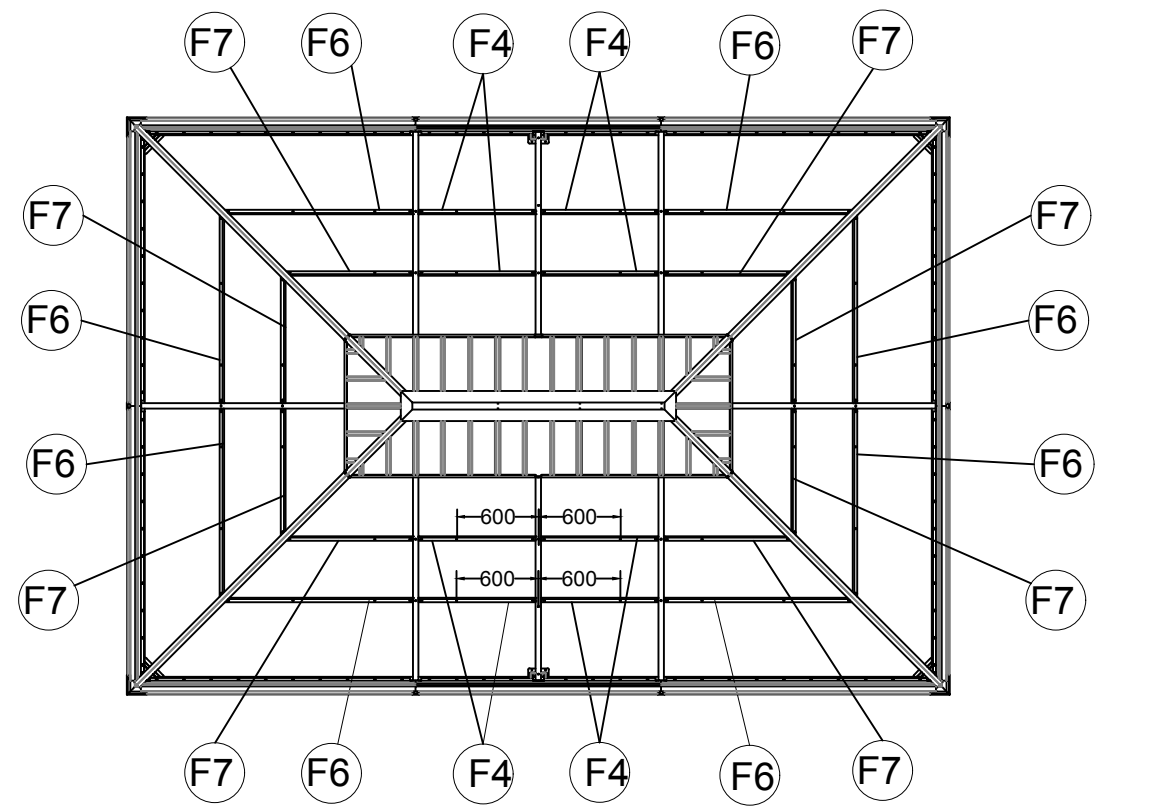
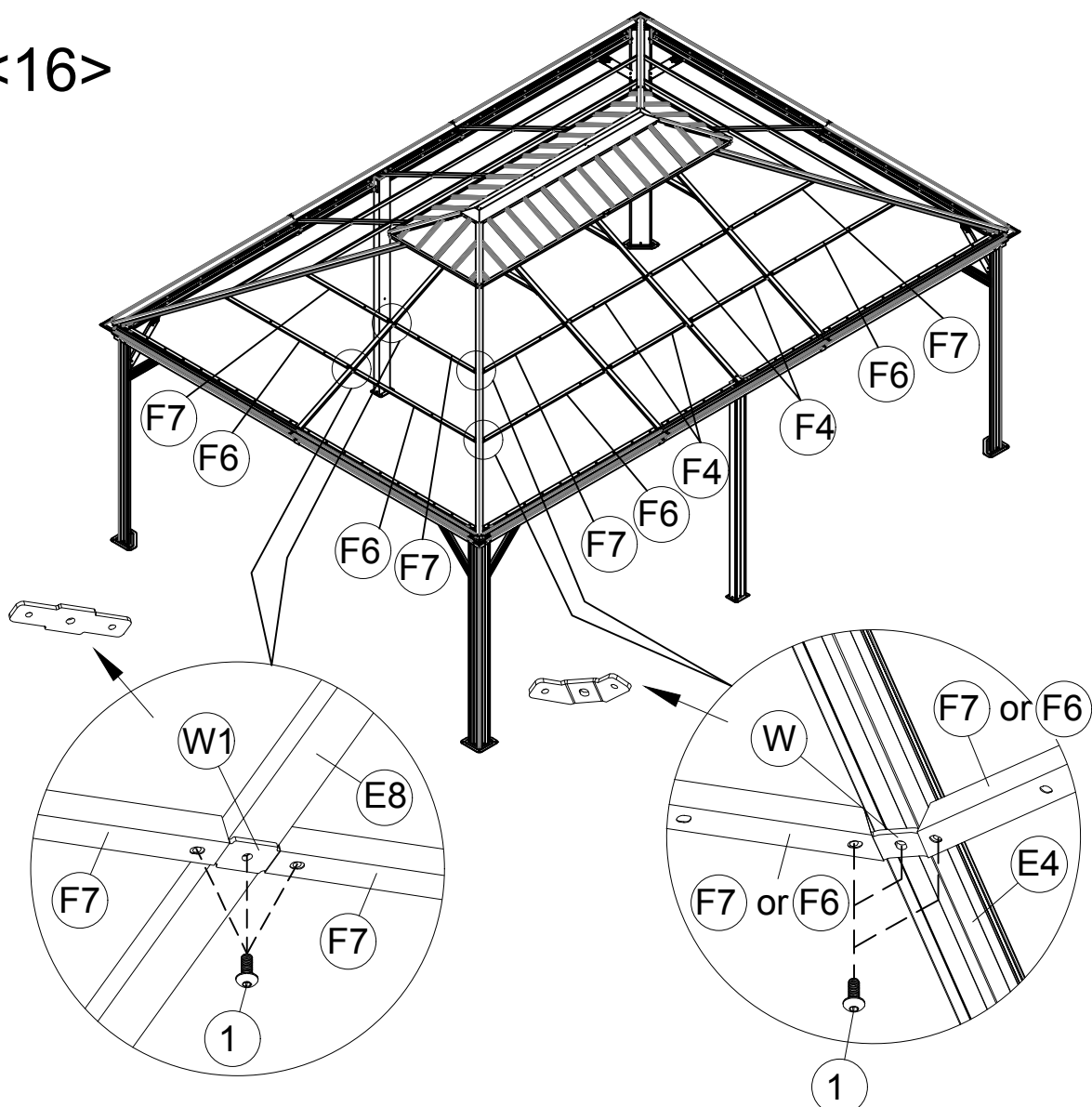
F6 8x

F7 8x

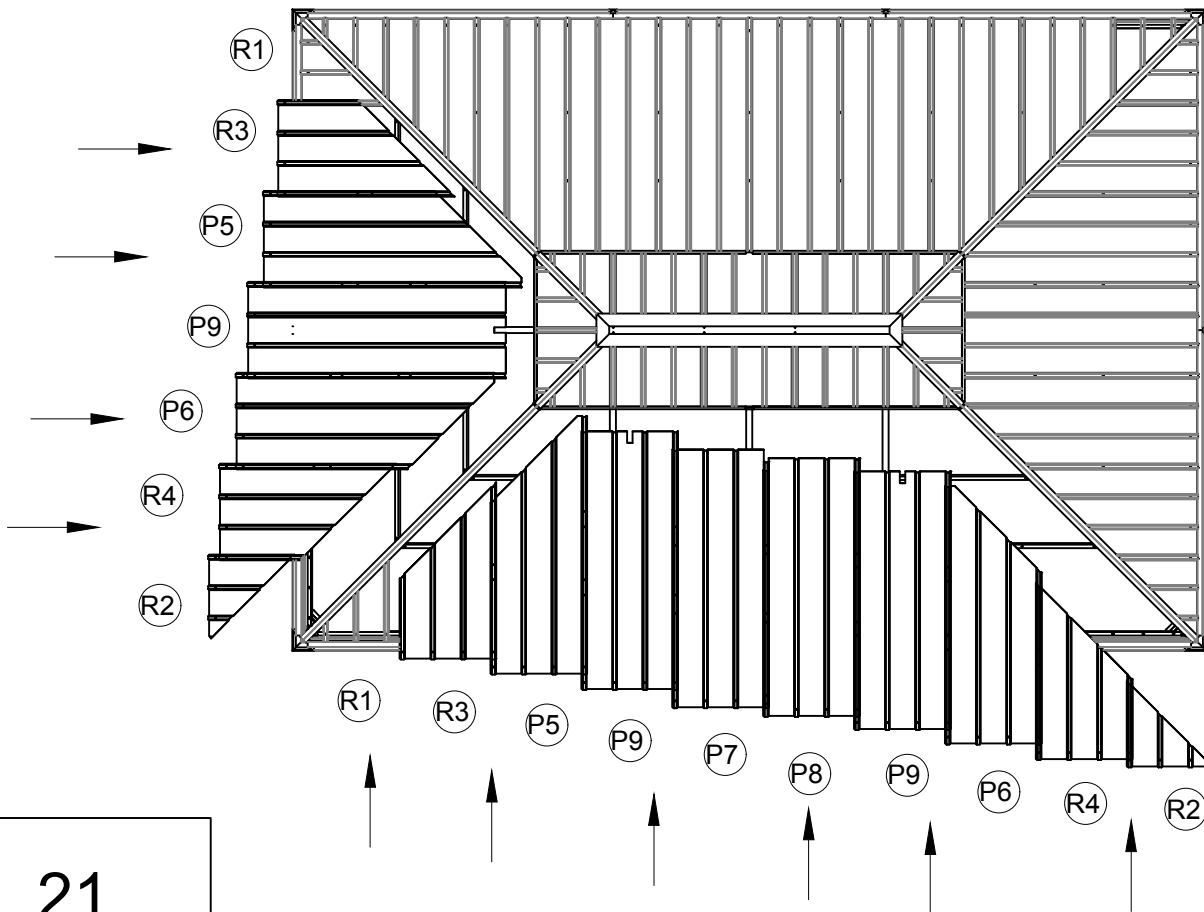
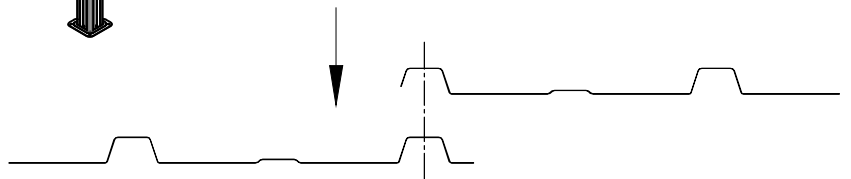
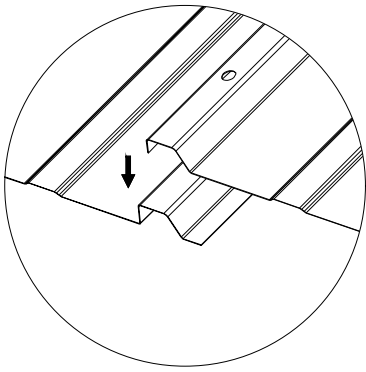
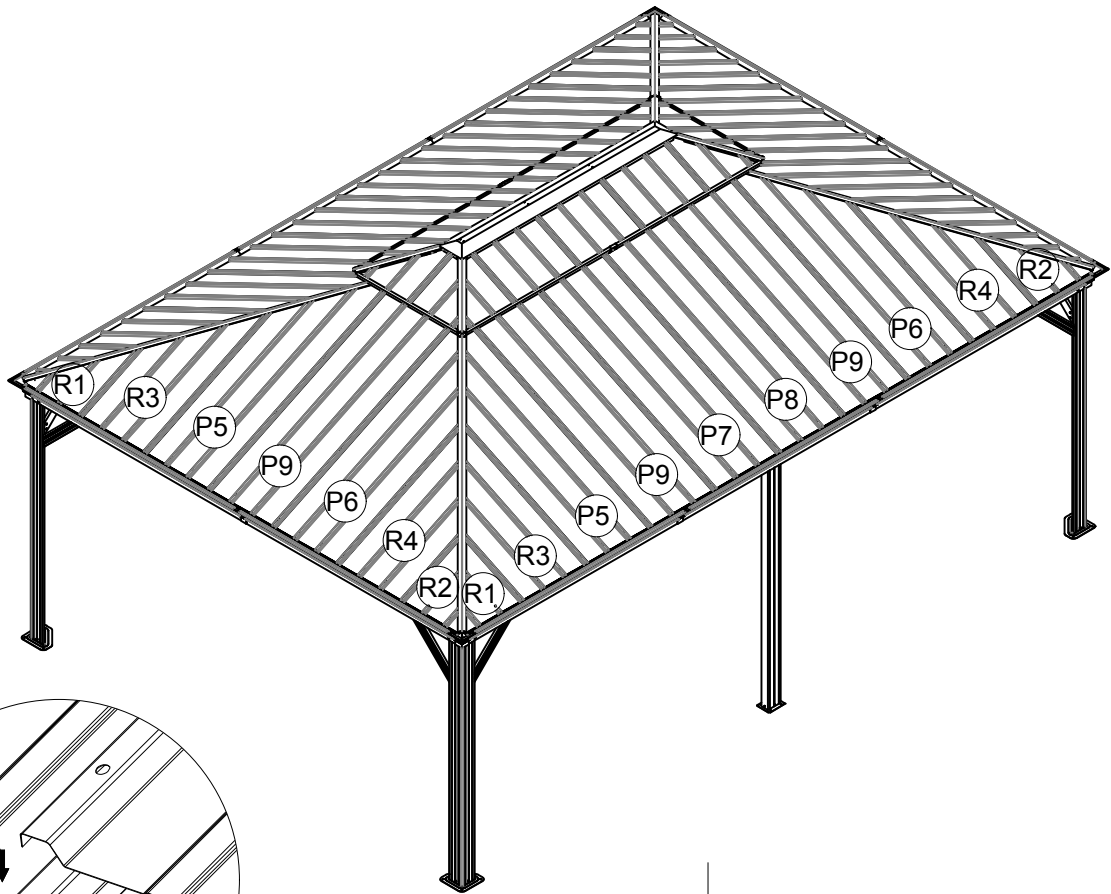
W 8x

W1 16x

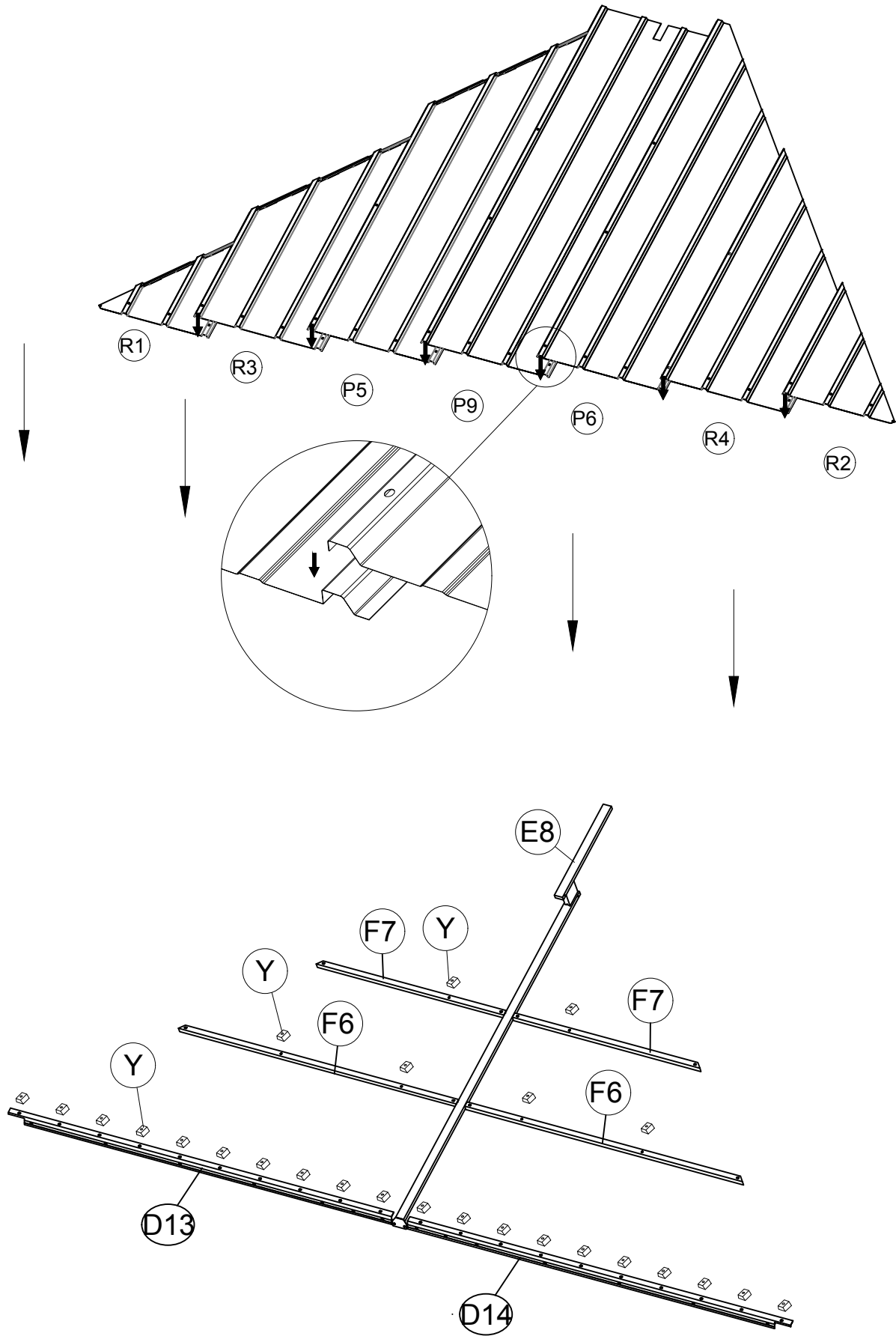
1 72x
M6x15



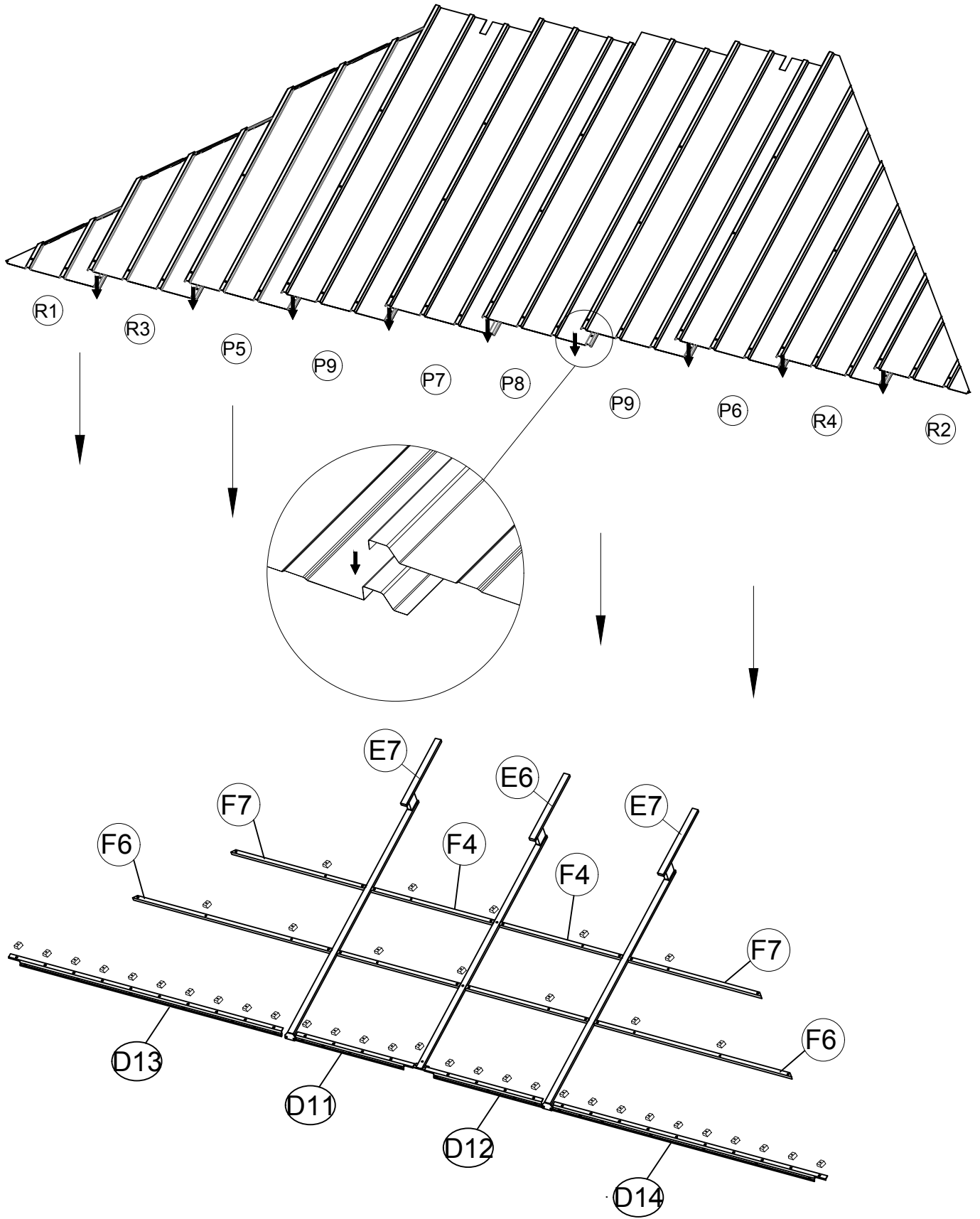
<17>

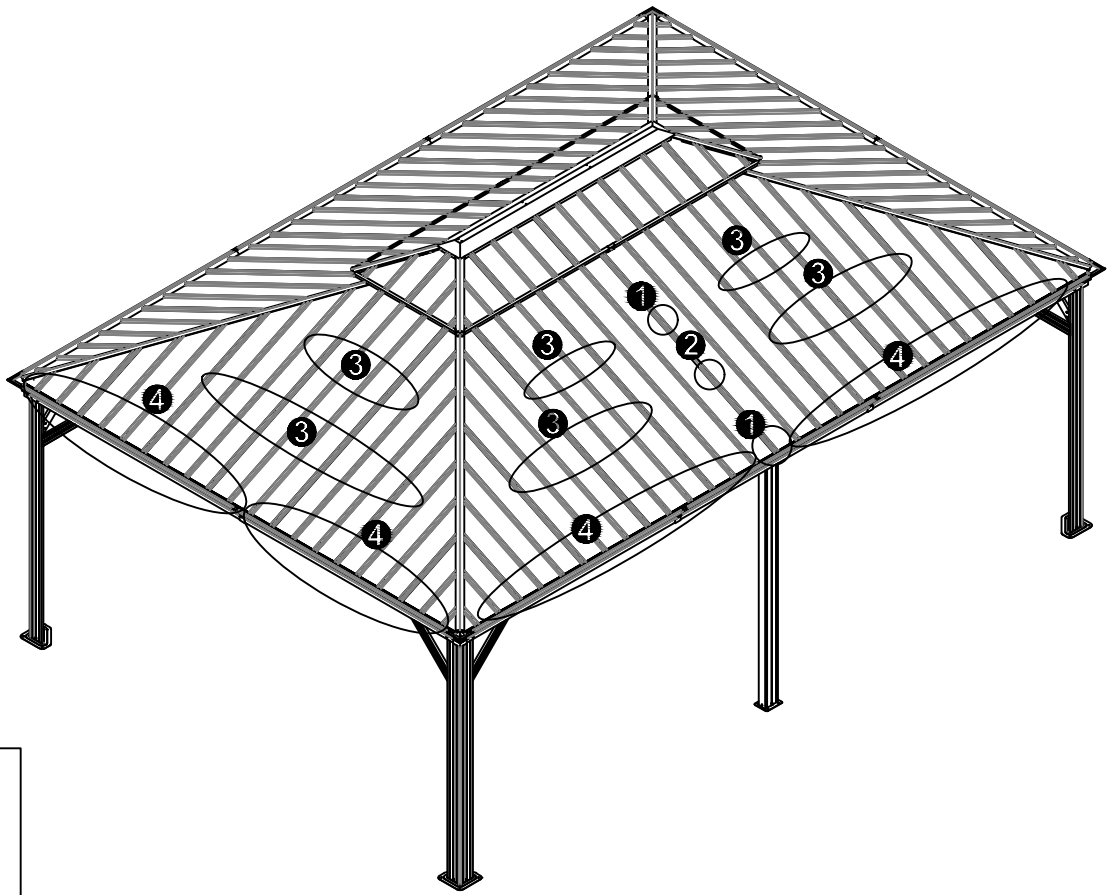


<18>



<19>





Y 134x



M6x25

3 2x



M6x23

2 96x



M6x42

6 4x

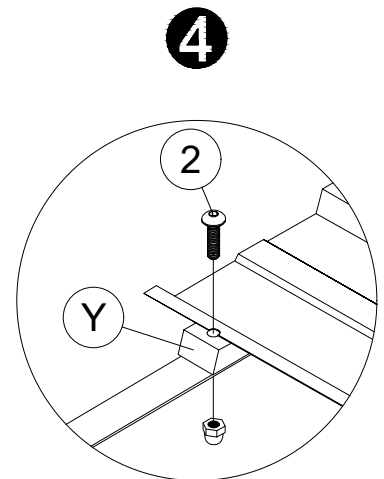
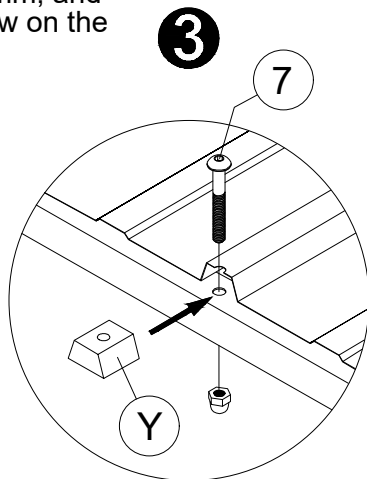
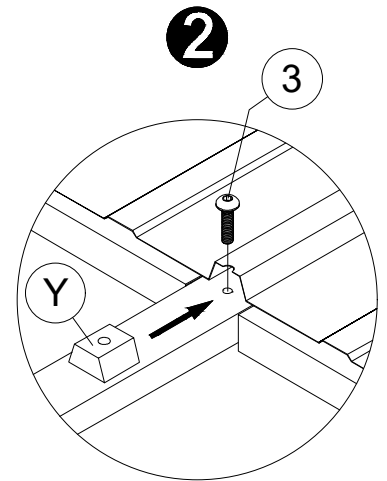
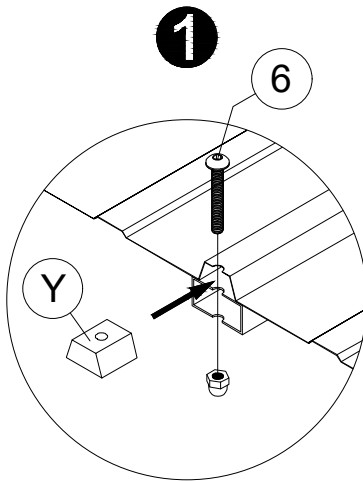


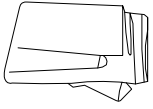
M6x47

7 32x

24

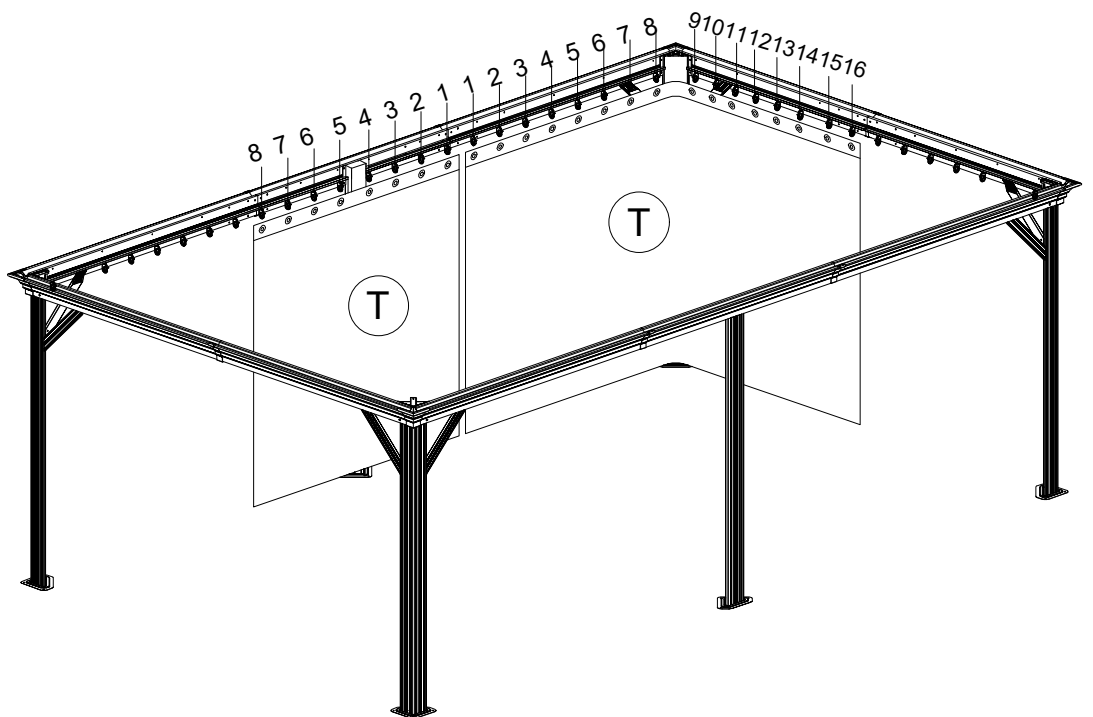
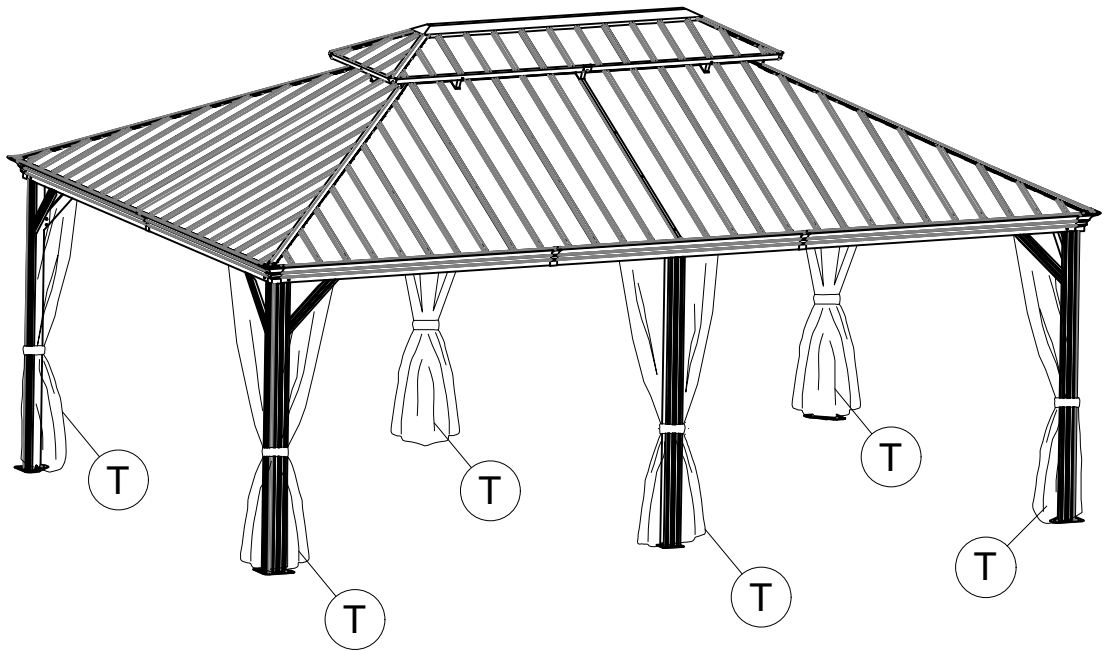
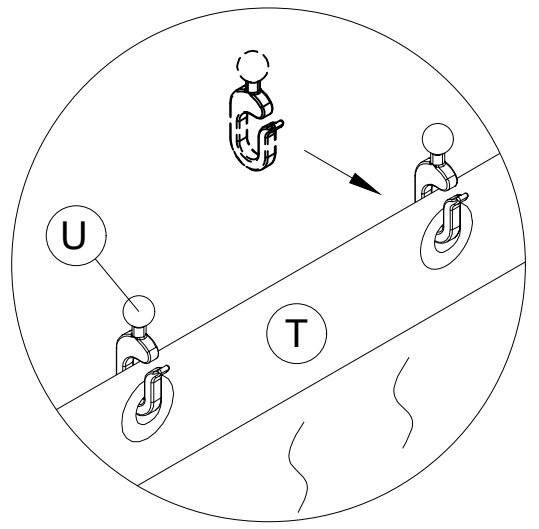
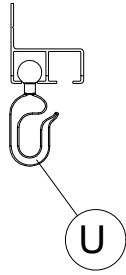
Note: When installing the roof top plates, if the roof plates are slightly uneven, pls press the screws from the top of the plates until the bottom screw thread is exposed by 3 to 4mm, and then screw on the nut.

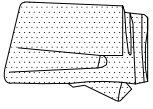




<21>

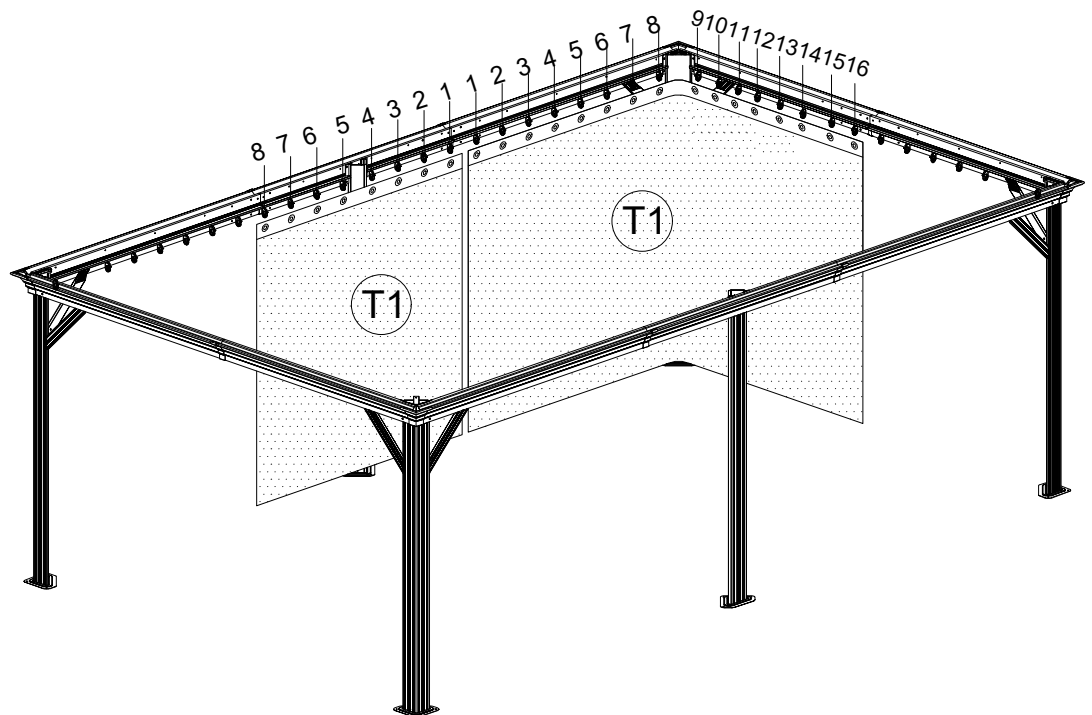
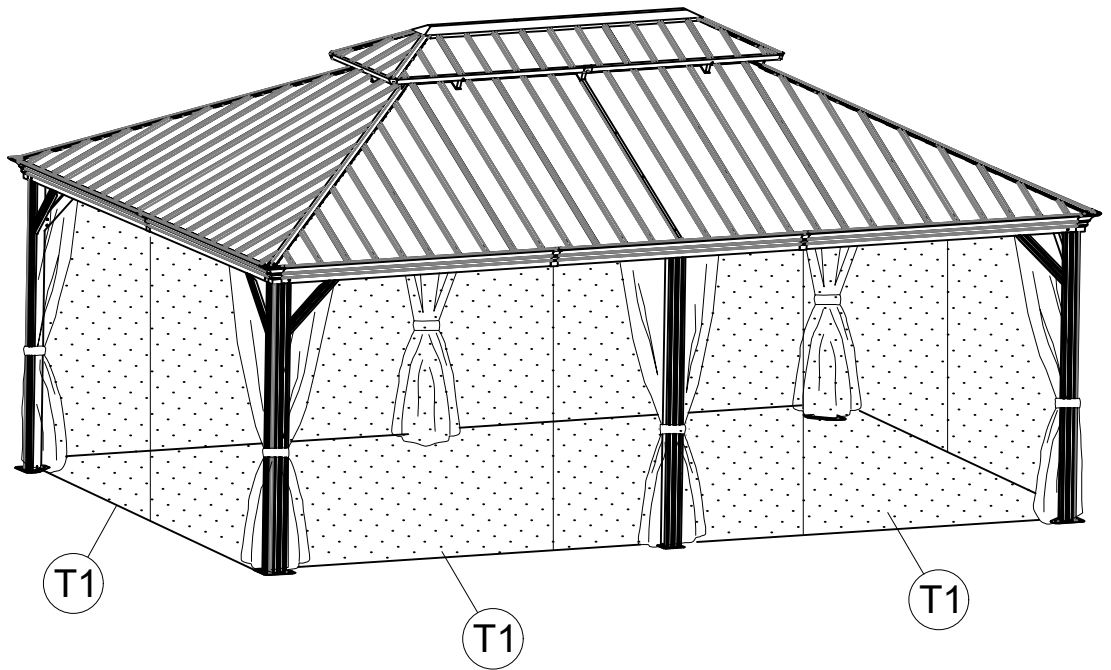
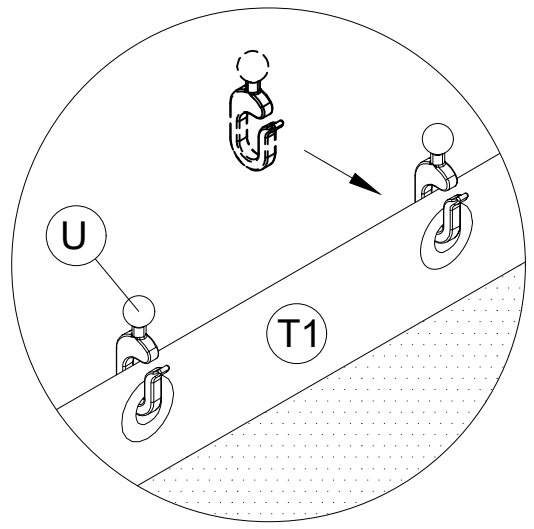
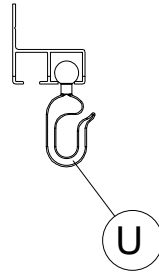
T 4x + 2x



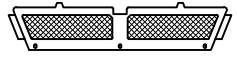


<22>

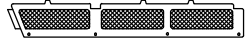
T1 4x + 2x



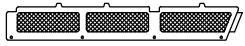
<23>



V1 2x



V5a 2X

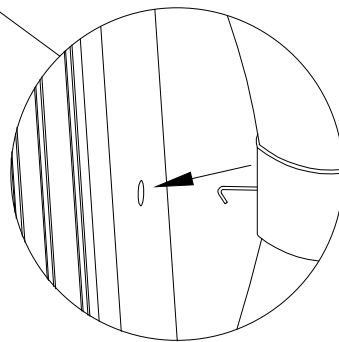
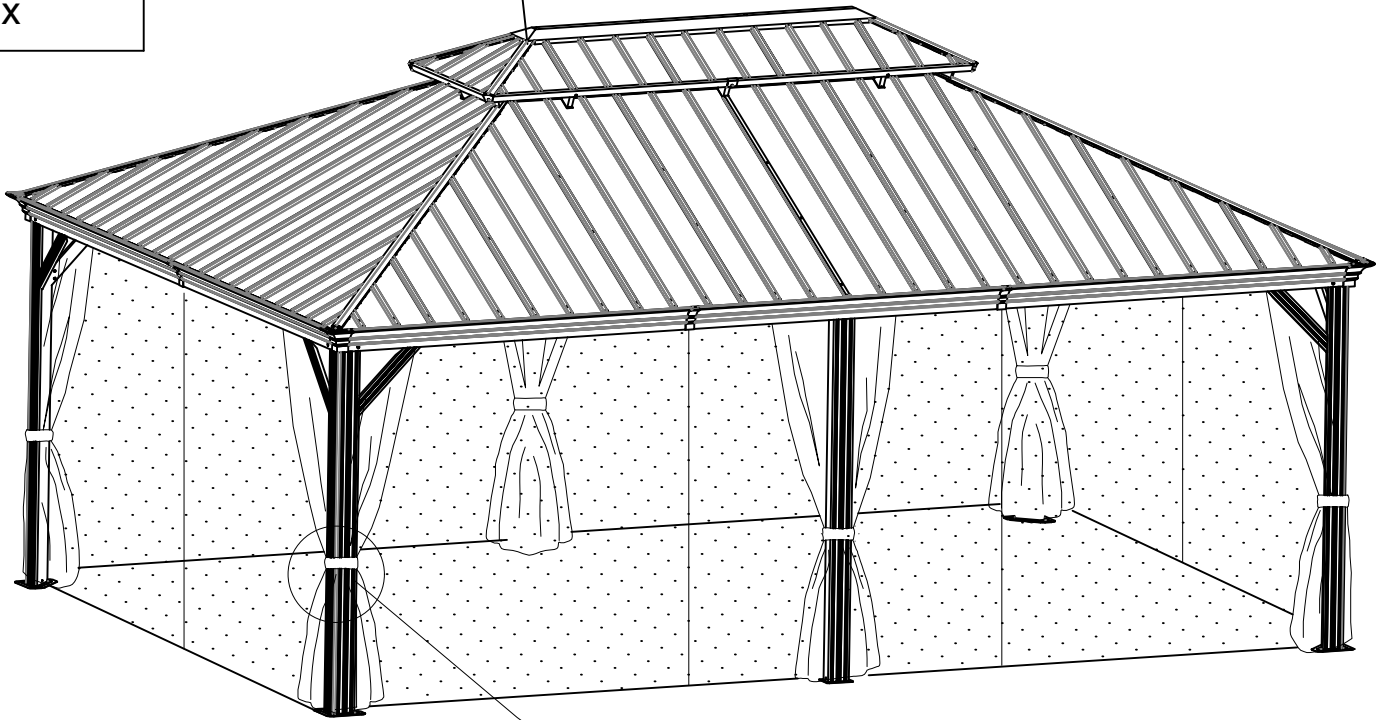
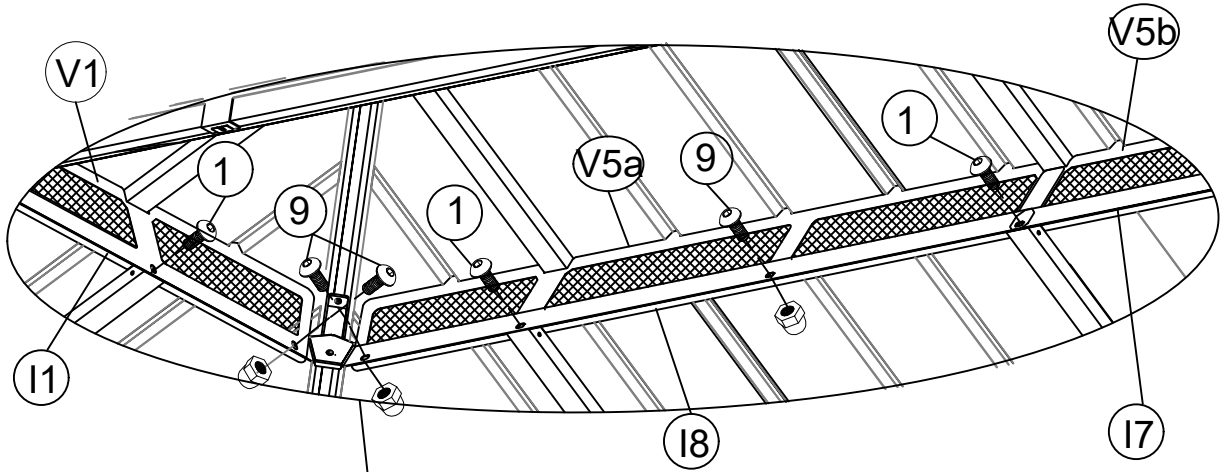


V5b 2x



M6x10

9 12x



Carton-1/6		Carton-3/6		Carton-4/6	
Part	Qty	Part	Qty	Part	Qty
A	4	H1	4	W	8
A1	2	D11	2	W1	16
E5	4	D12	2	W3	8
F6	8	J	4	W4	8
F8	3	P	6	W5	4
		Z	72	Y	134
		Z1	16	U	160
		Z2	8	T	4 + 2
Carton-2/6				T1	4 + 2
Part	Qty			1.2.3.4.5.6.7.8. 9.10.12.14.15	1
B11	4	Carton-4/6			
B12	4	Part	Qty		
C3	4	B8	2	Carton-5/6	
C4	4	L5	1	Part	Qty
D13	4	M5	1	P5	4
D14	4	C11	2	P6	4
V1	2	C12	2	P7	2
V5a	2	G1	2	P8	2
V5b	2	G7	2	R1	4
		G8	2	R2	4
		I1	2		
Carton-3/6		I7	2	Carton-6/6	
Part	Qty	I8	2	Part	Qty
E4	4	J1	2	P9	6
E6	2	K	4	R3	4
E7	4	K1	6	R4	4
E8	2	N	8	S1	4
F4	8	N1	2	S2	4
F7	8	V	6	S3	6
H	4				