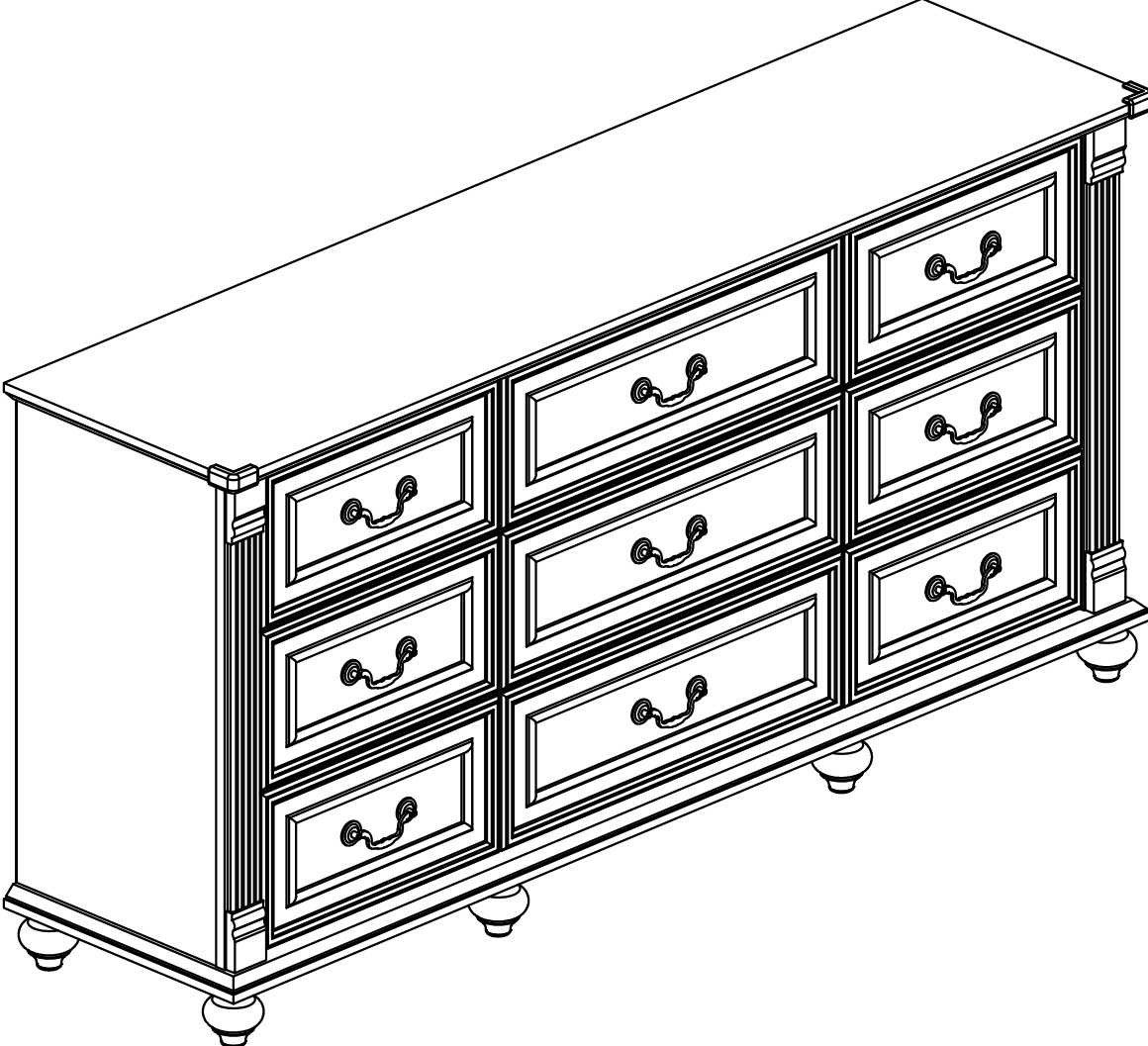
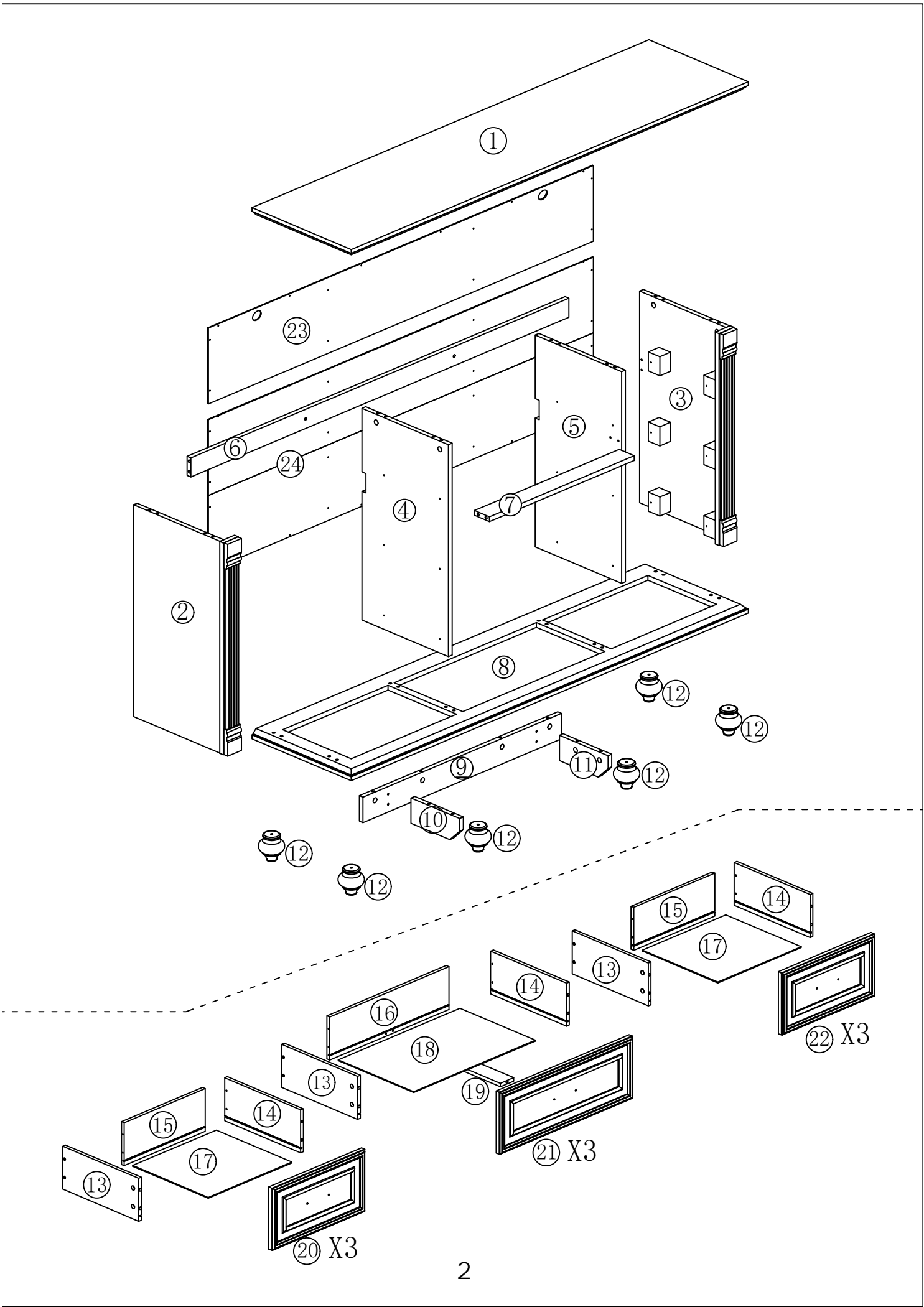
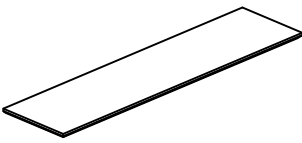
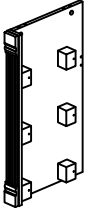
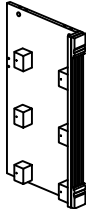
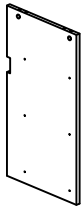
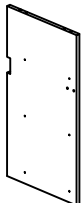
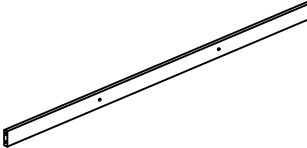

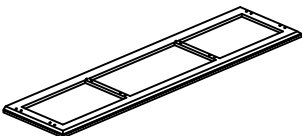
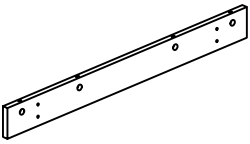
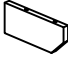
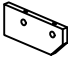

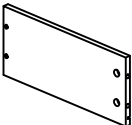
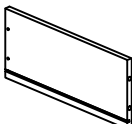
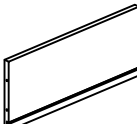
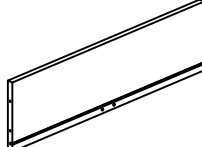
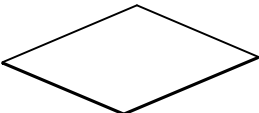
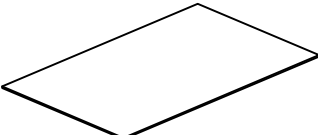
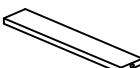
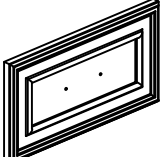
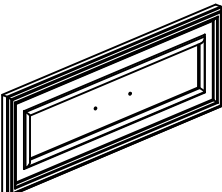
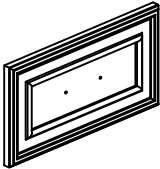
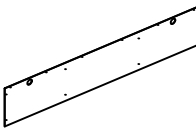
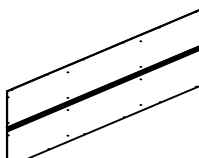


Installation & Assembly

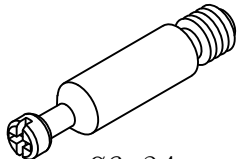

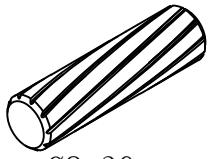
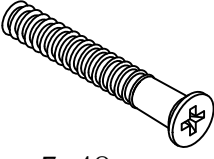
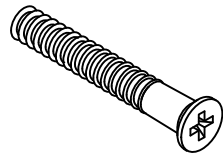
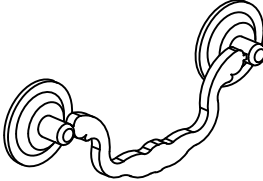
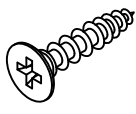
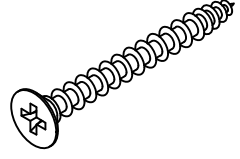
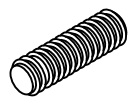
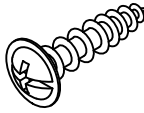

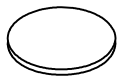
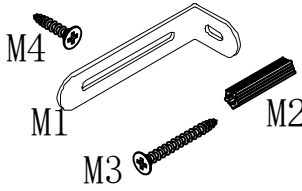
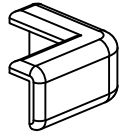
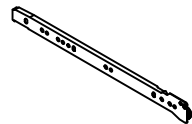

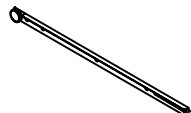
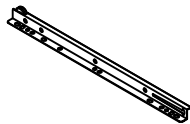


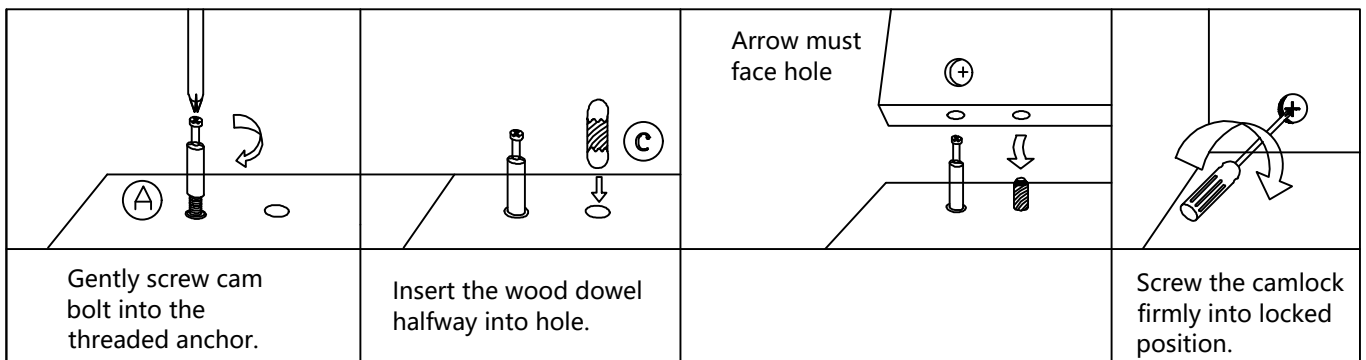


Parts and Operation Elements

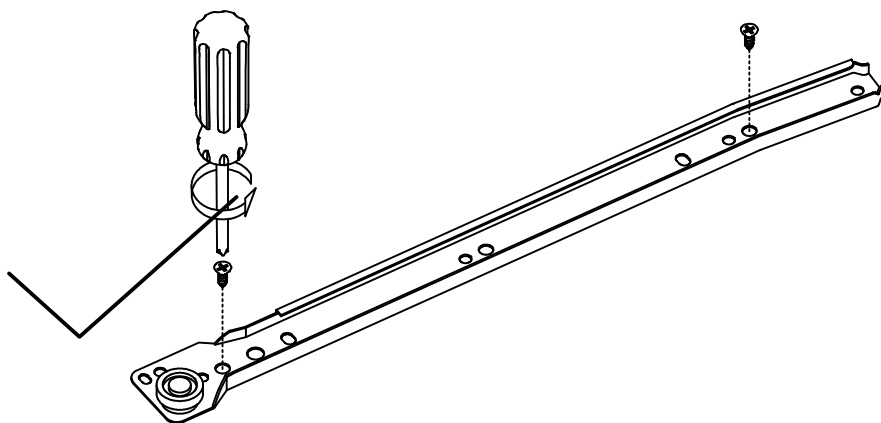
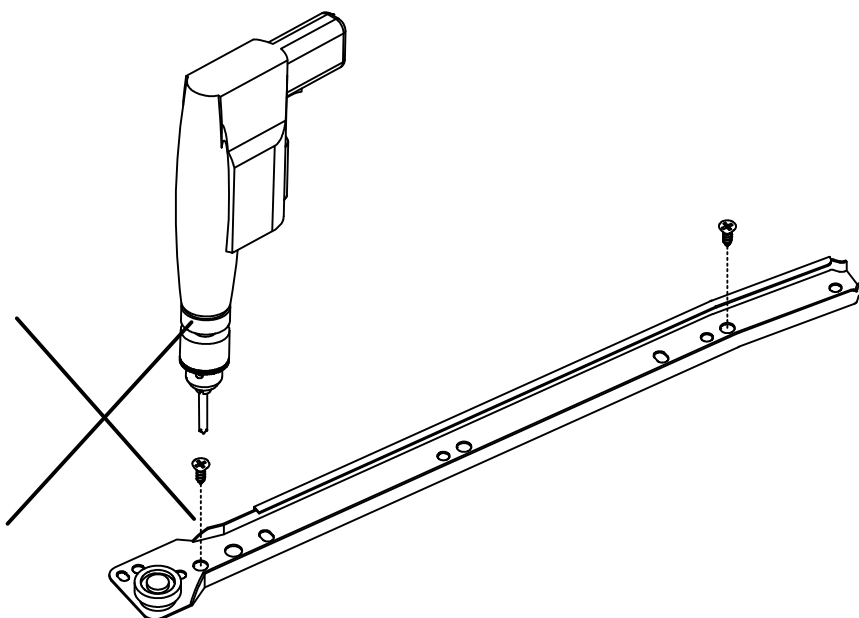
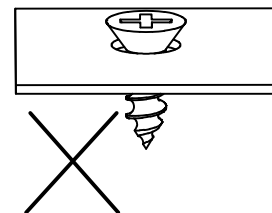
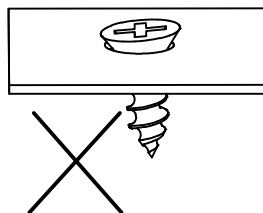
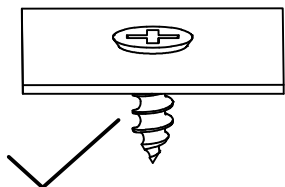
			
① 1pcs	② 1pcs	③ 1pcs	④ 1pcs
			
⑤ 1pcs	⑥ 1pcs	⑦ 1pcs	⑧ 1pcs
			
⑨ 1pcs	⑩ 1pcs	⑪ 1pcs	⑫ 6pcs
			
⑬ 9pcs	⑭ 9pcs	⑮ 6pcs	⑯ 3pcs
			
⑰ 6pcs	⑱ 3pcs	⑲ 3pcs	⑳ 3pcs
			
㉑ 3pcs	㉒ 3pcs	㉓ 1pcs	㉔ 1pcs

Hardware

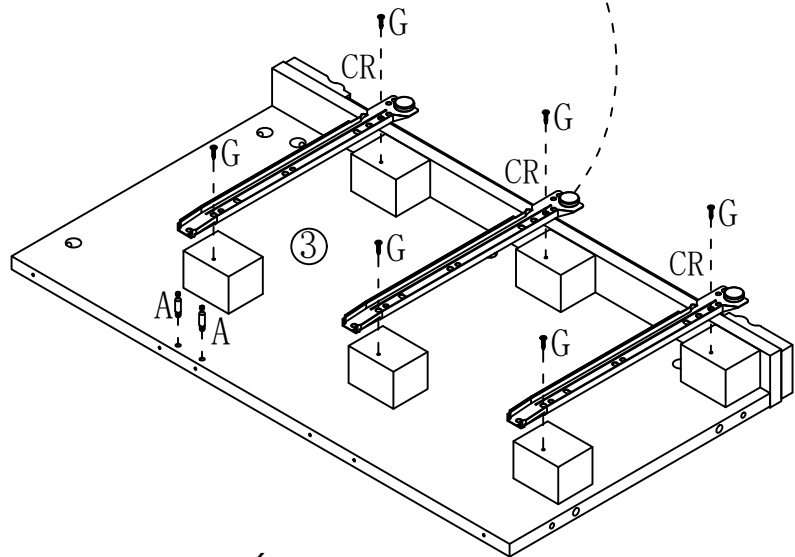
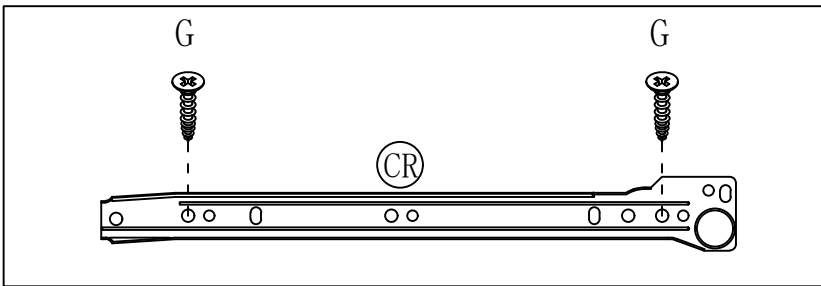
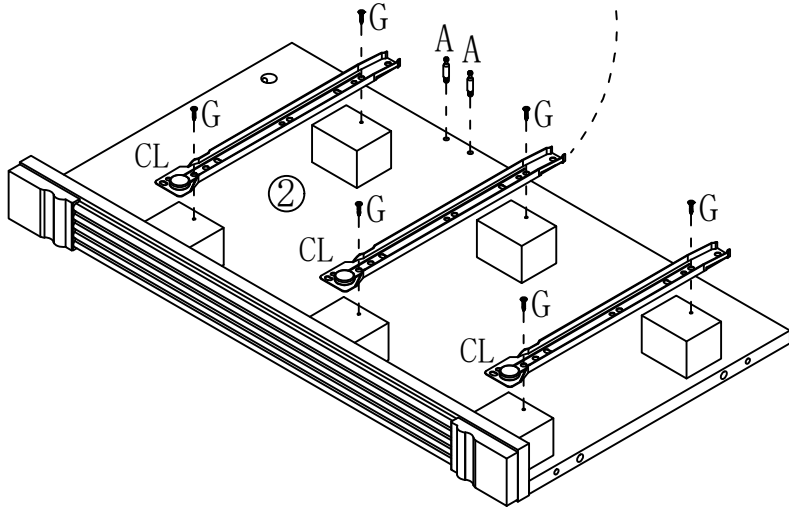
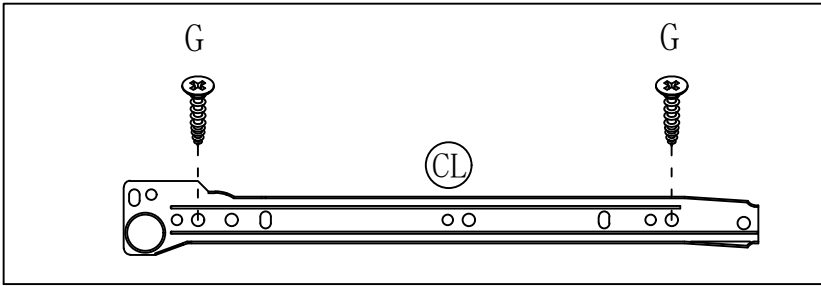
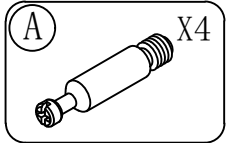
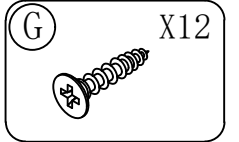
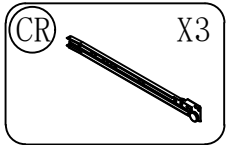
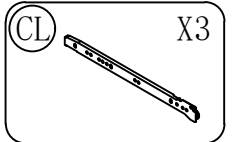
 Ø6*34mm 67+2pcs	 Ø15*9mm 67+2pcs	 Ø8*30mm 16+2pcs	 7*48mm 8+2pcs
 7*35mm 2pcs	 96mm 9pcs	 3.5*14mm 72+2pcs	 3.5*35mm 42+2pcs
 Ø6*35mm 6pcs	 Ø3*15mm 42+2pcs	 Ø4*8mm 18+2pcs	 Ø20 67+2pcs
 2pcs	 2pcs		
 300mm 9pcs	 300mm 9pcs	 300mm 9pcs	 300mm 9pcs



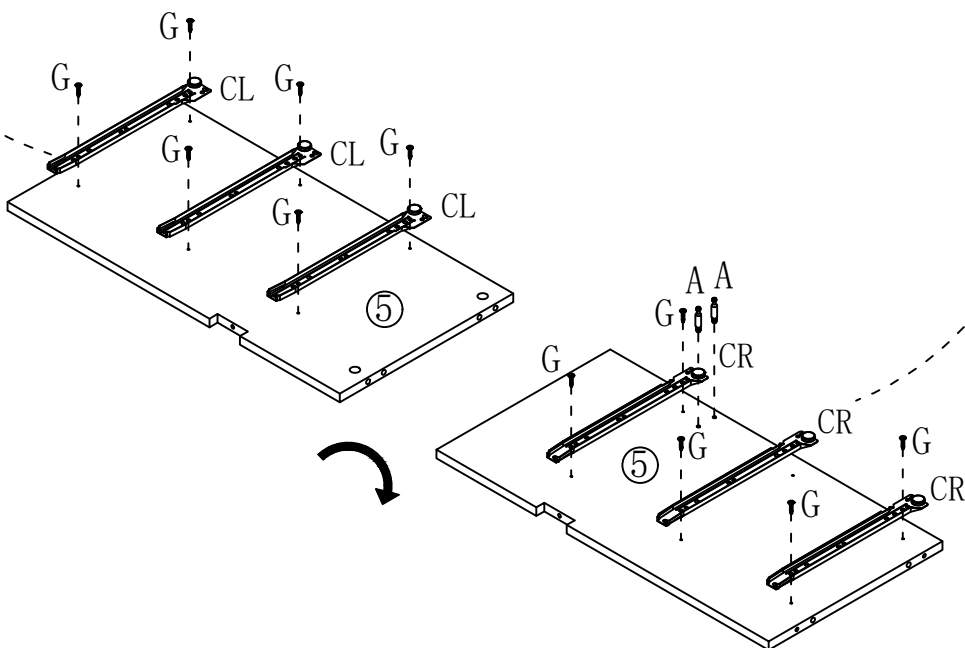
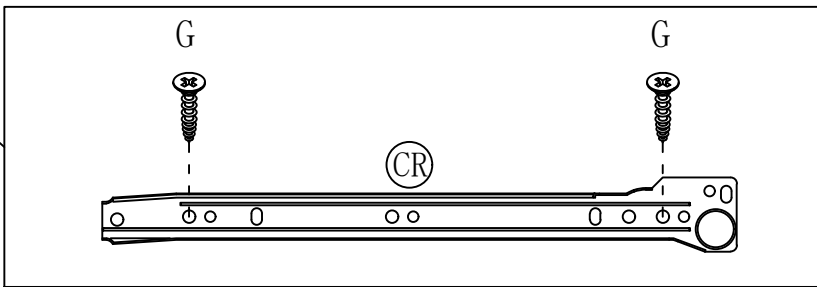
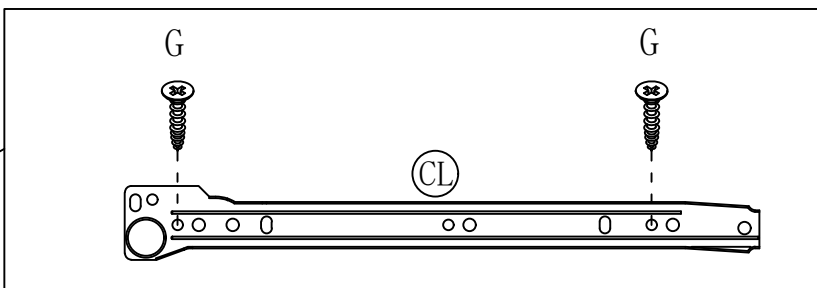
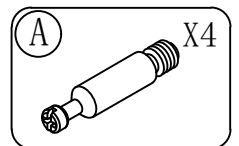
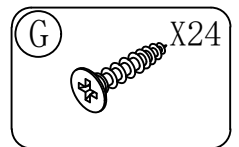
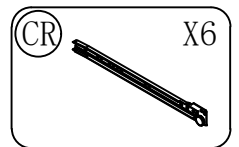
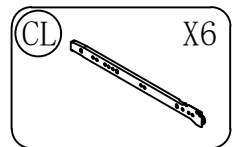
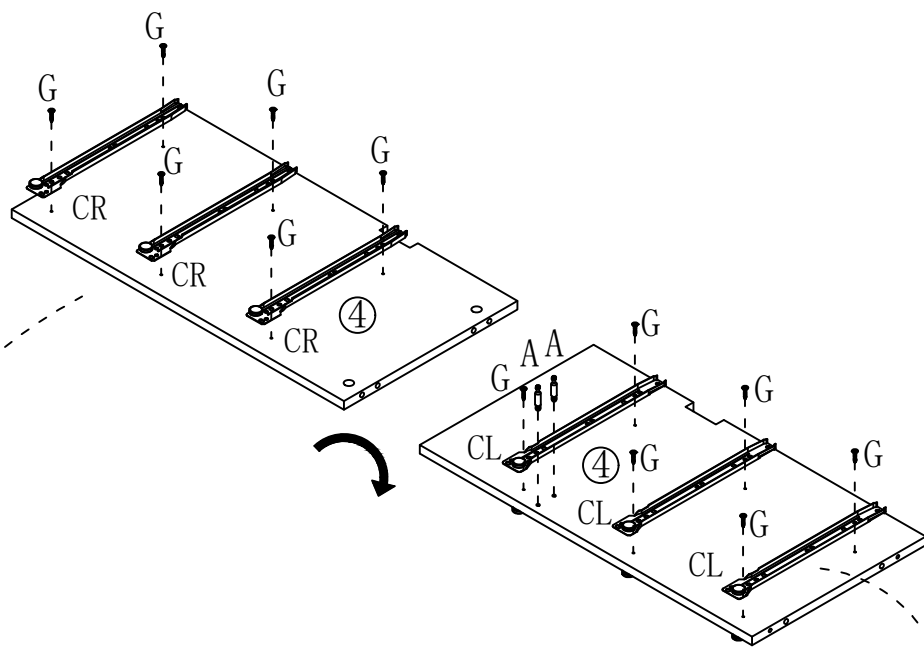
Please kindly note the following points when you assemble the sliders of the drawers



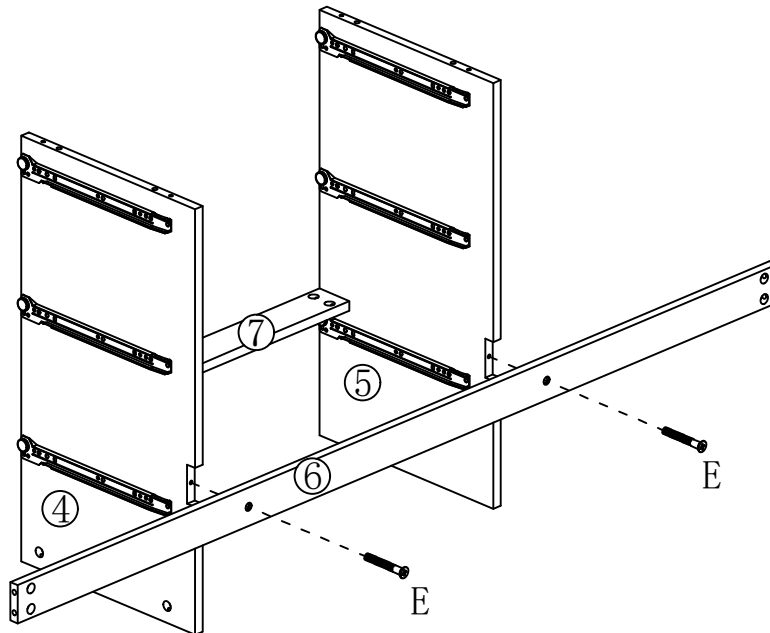
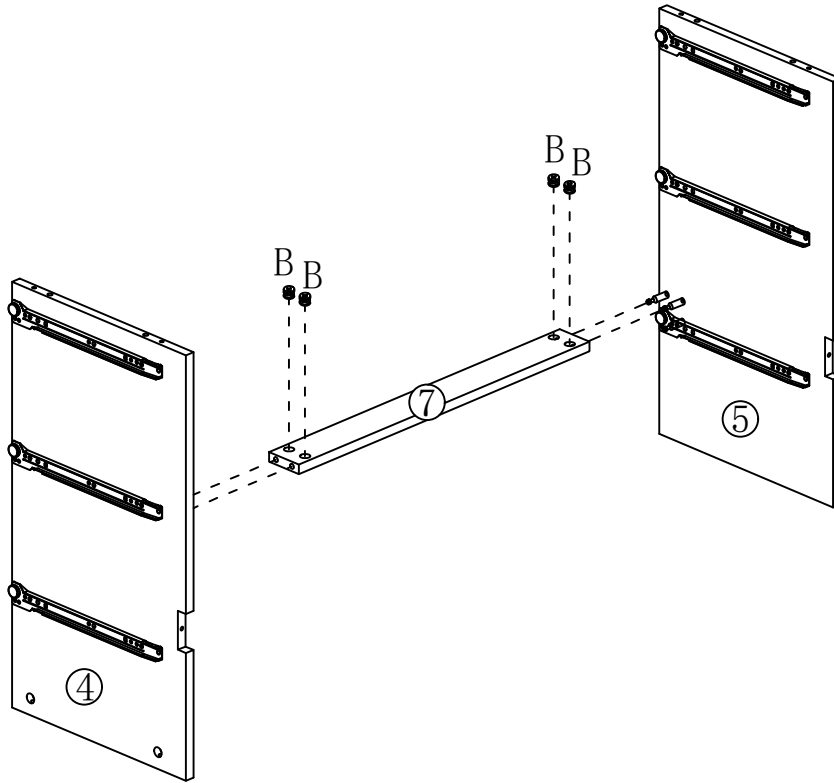
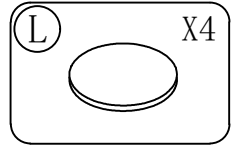
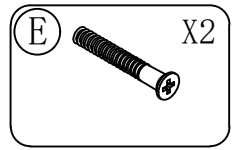
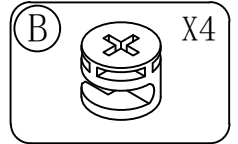
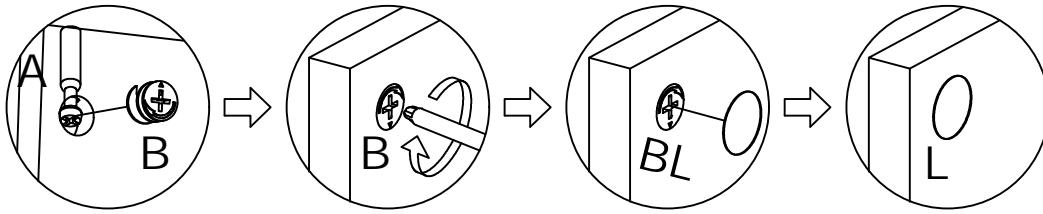
1



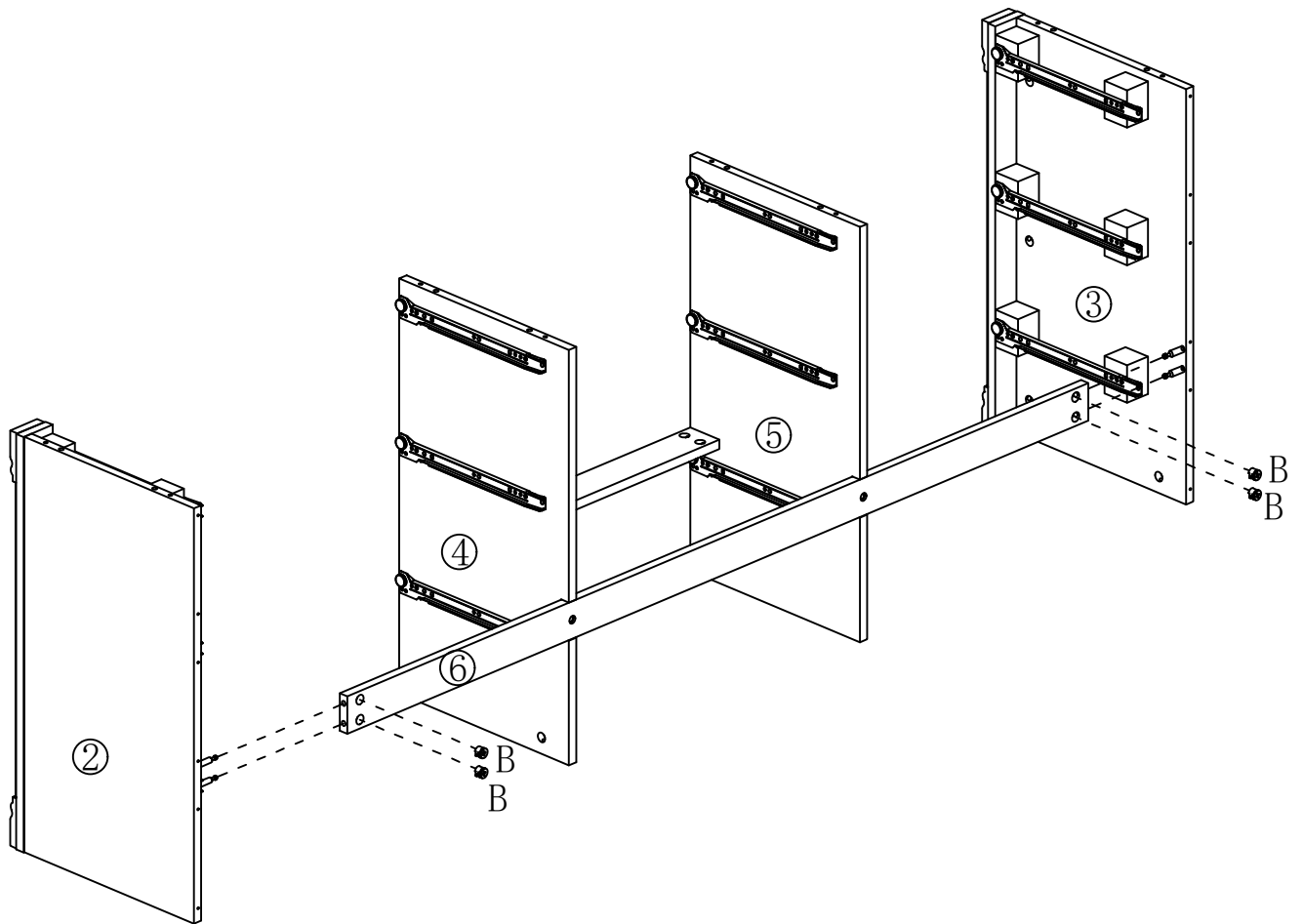
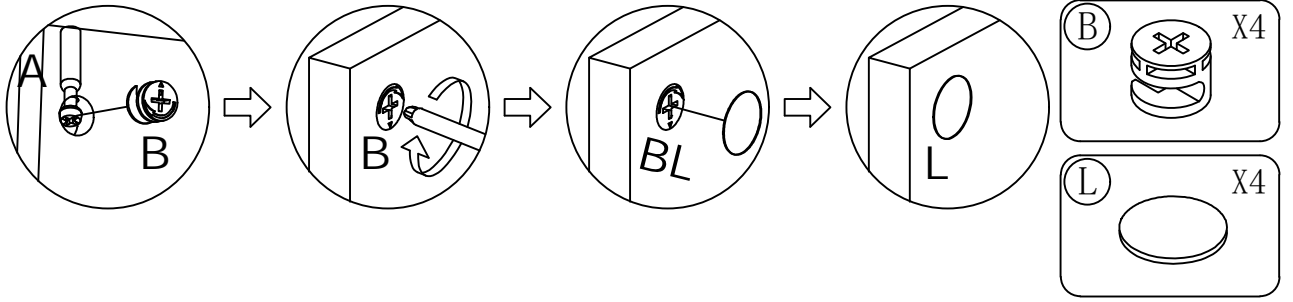
2



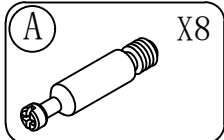
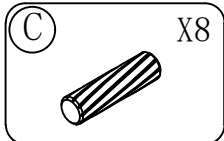
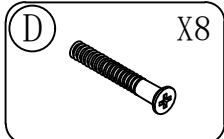
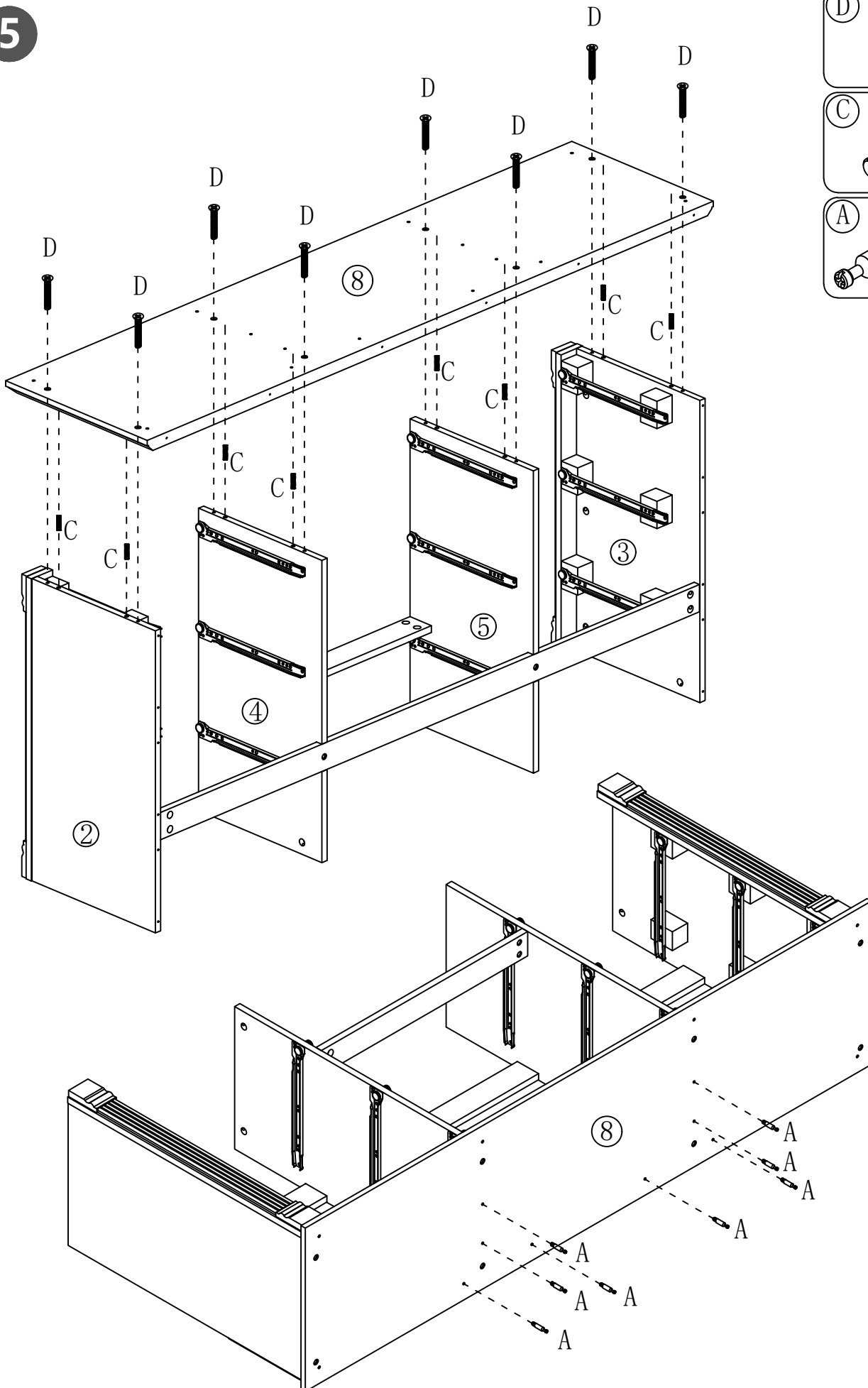
3



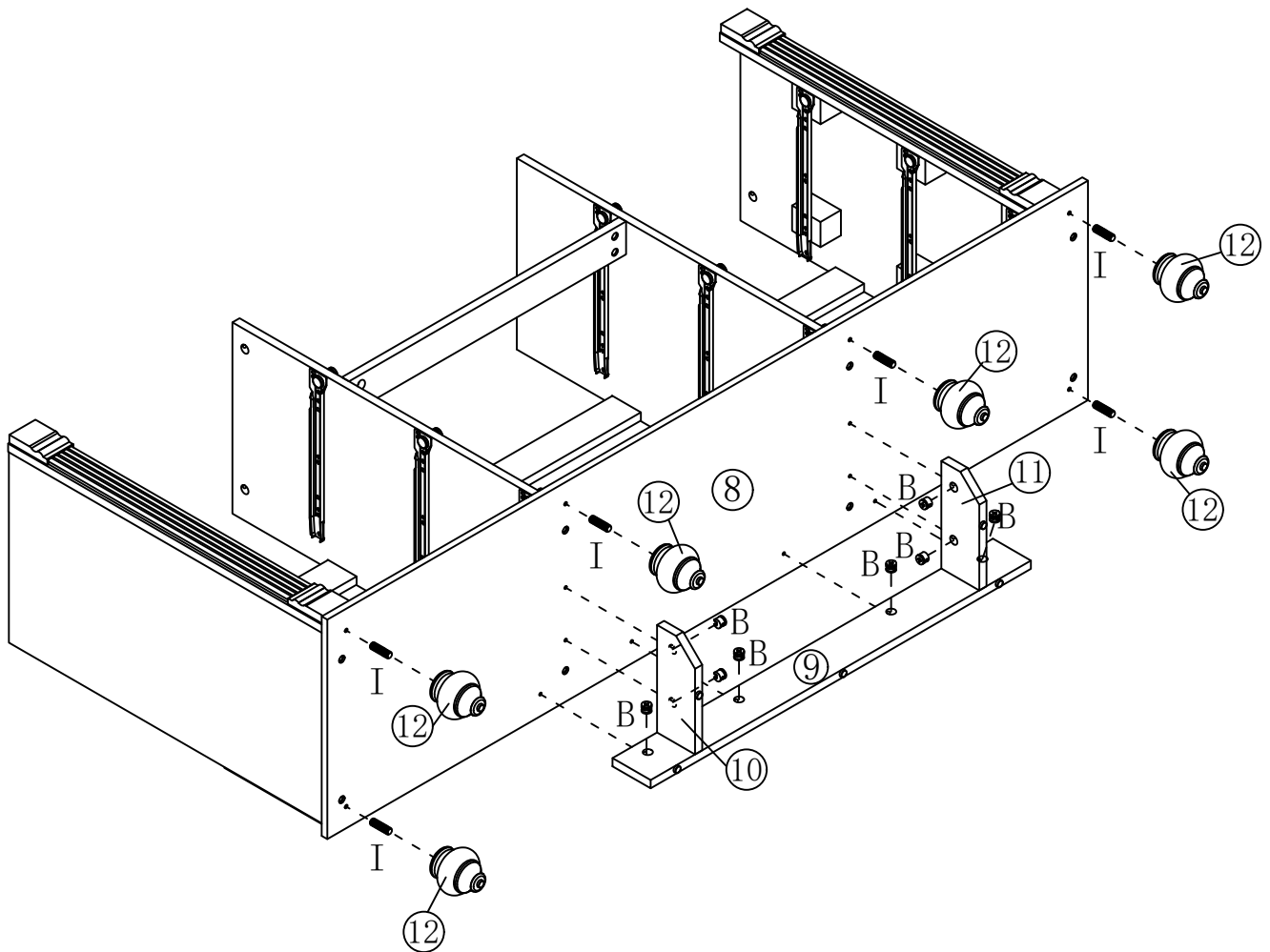
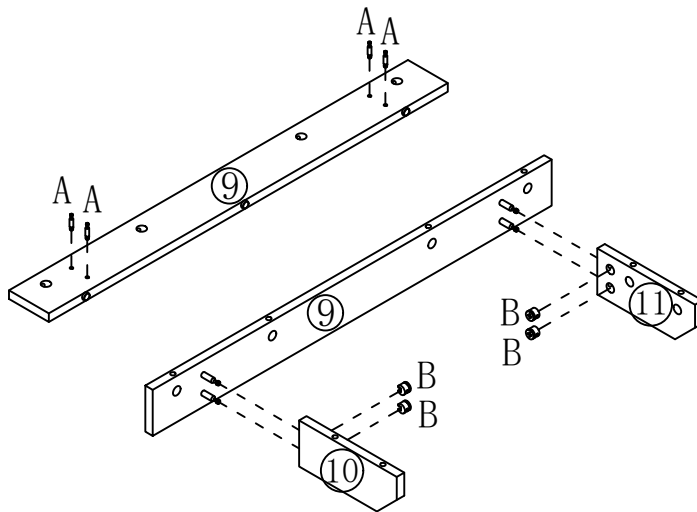
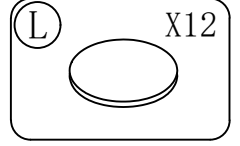
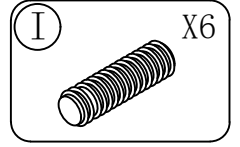
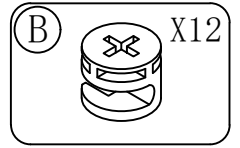
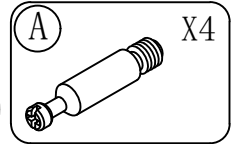
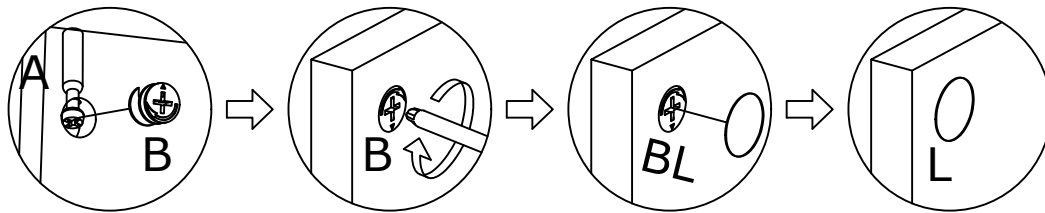
4



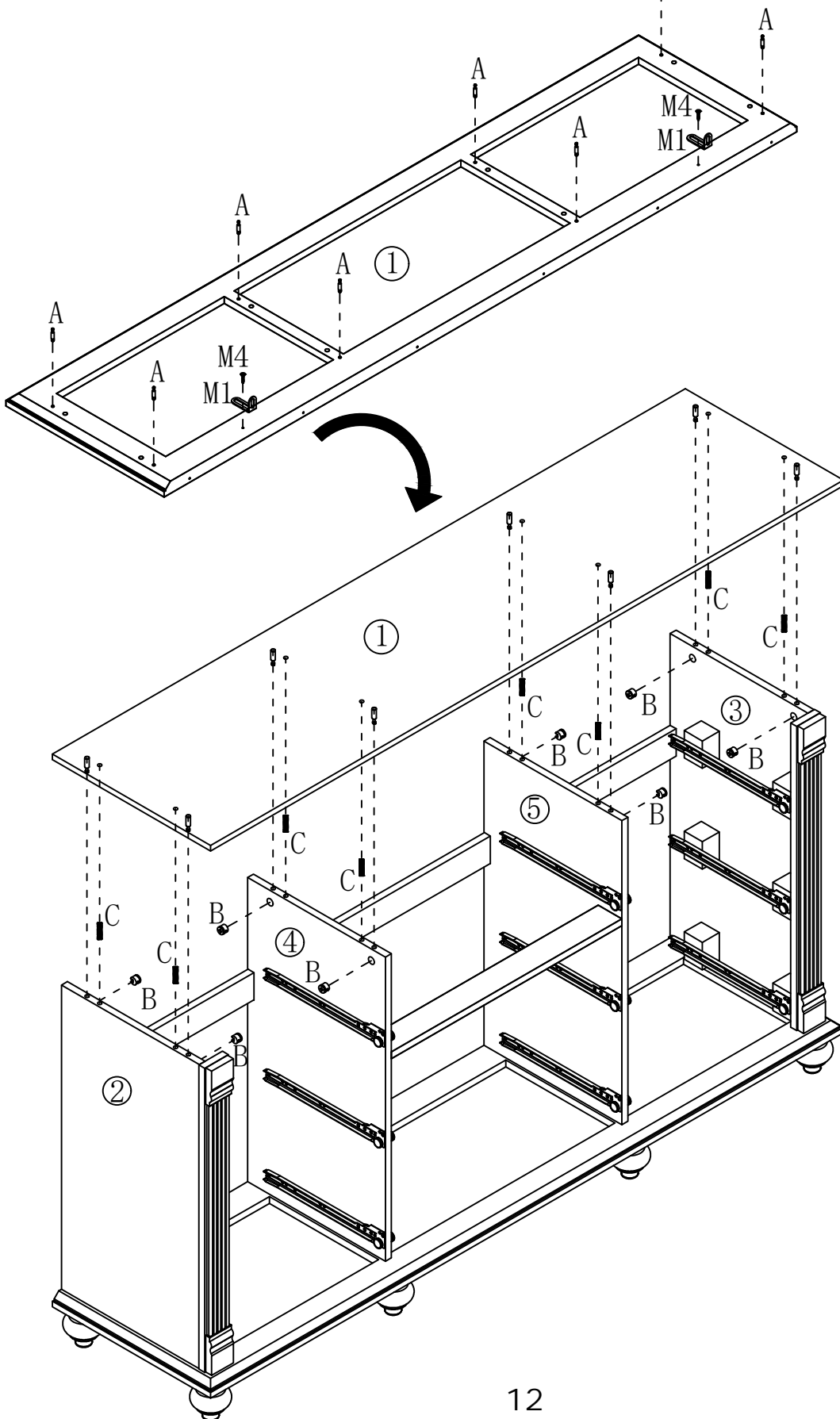
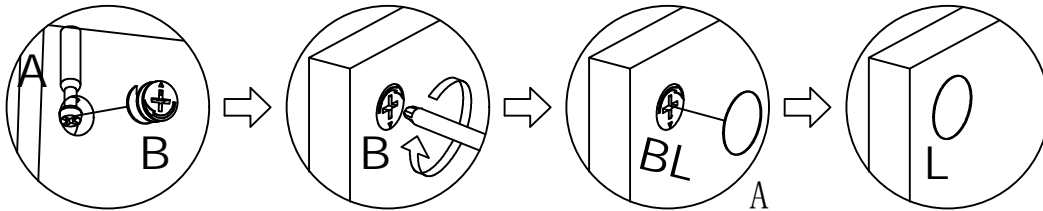
5

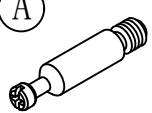
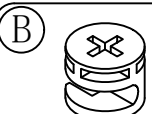






6

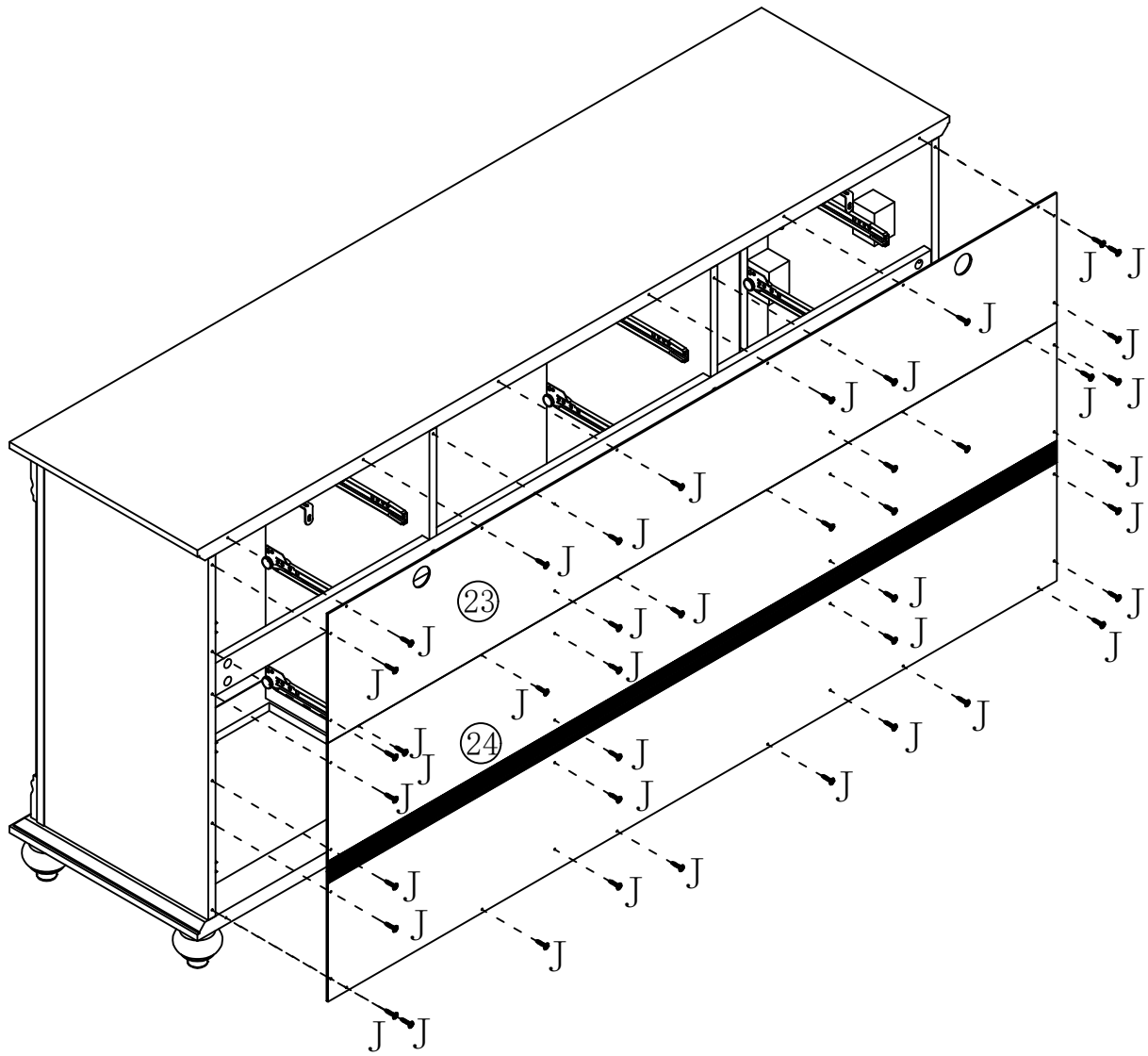
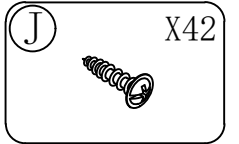


7

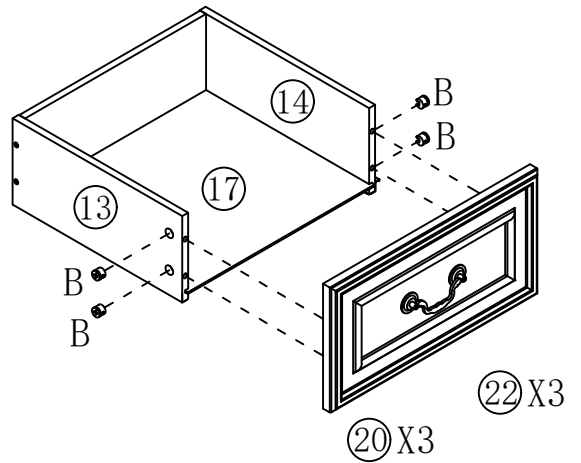
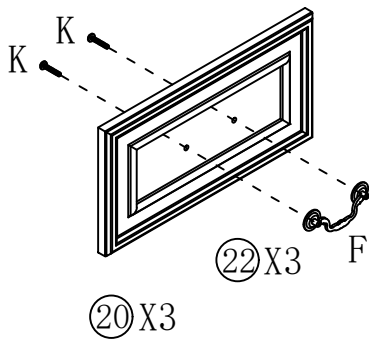
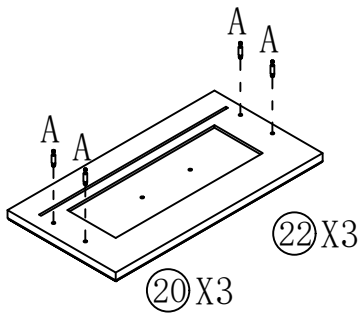
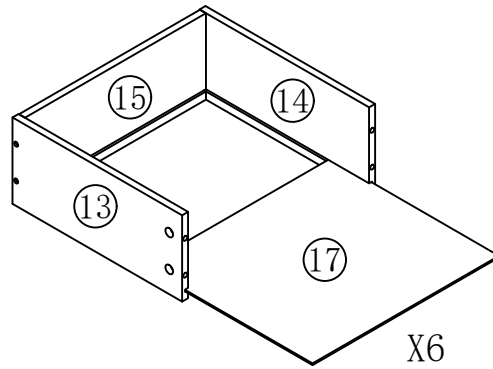
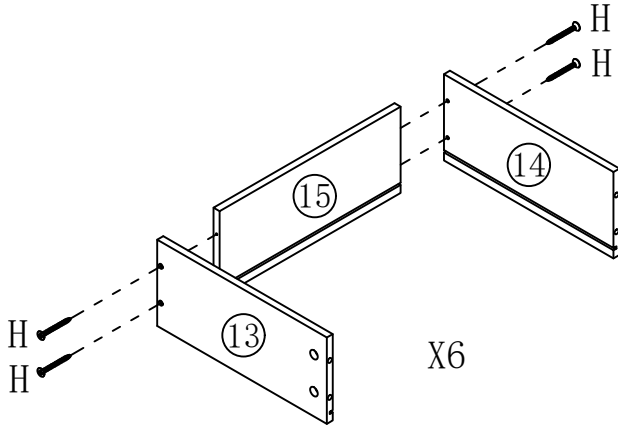
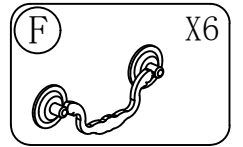
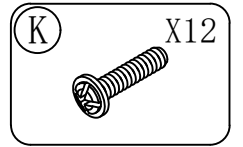
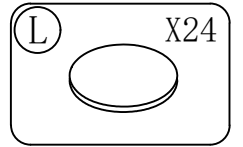
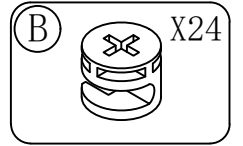
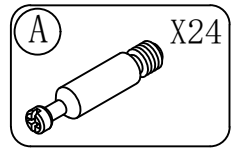
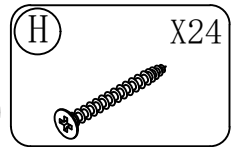
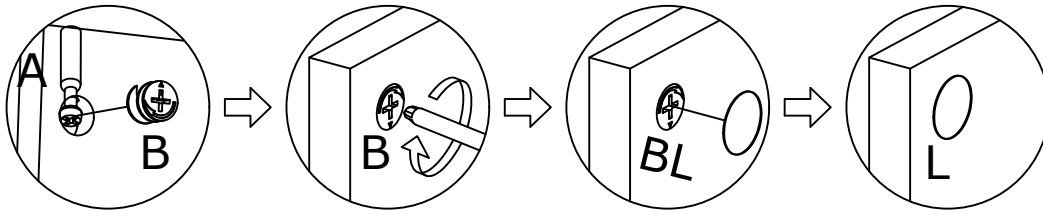


- (A) X8 
- (B) X8 
- (C) X8 
- (L) X8 
- (M4) X2 
- (M1) X2 

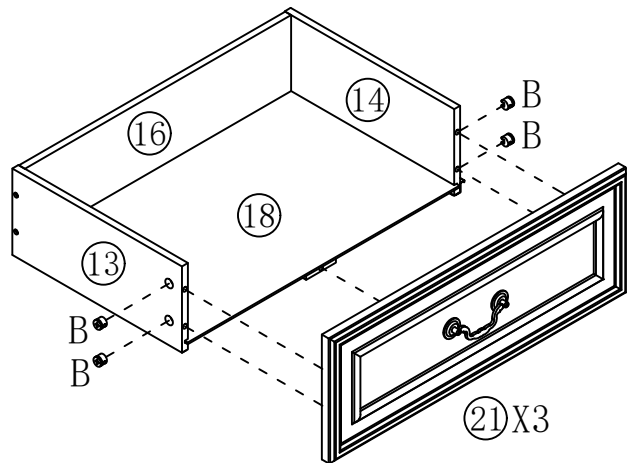
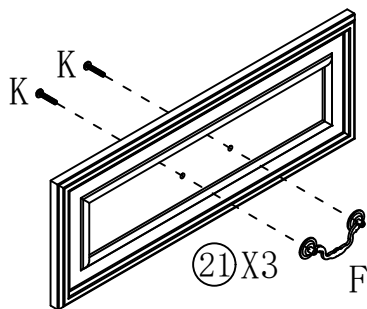
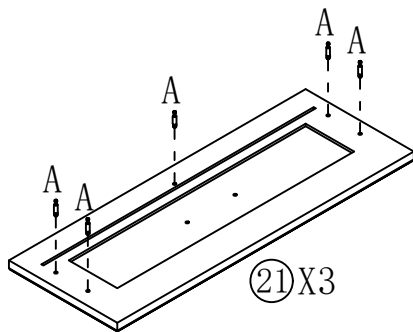
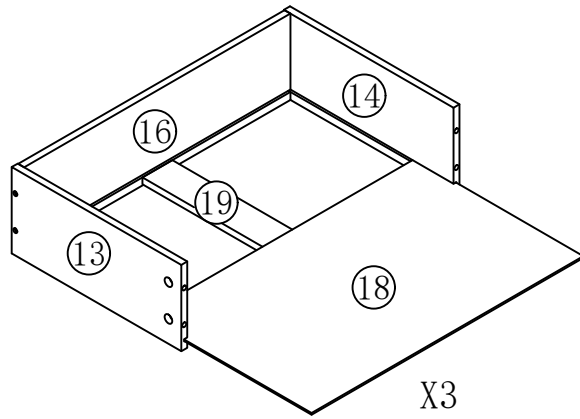
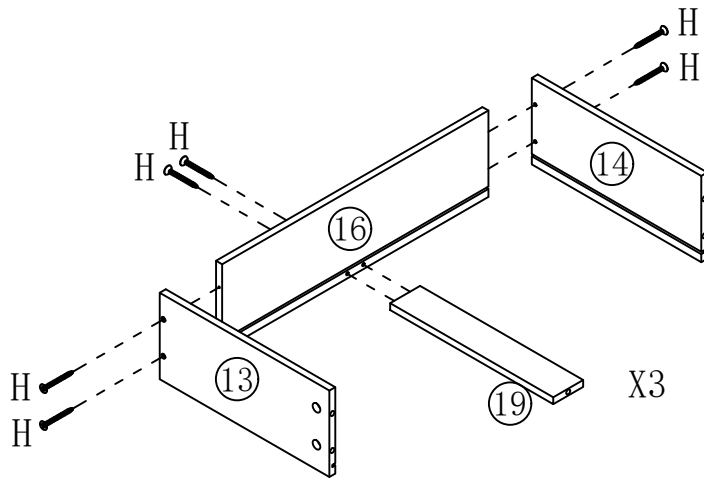
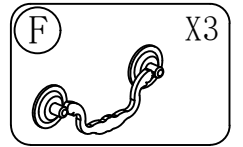
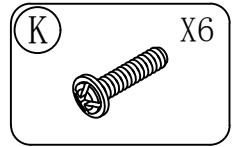
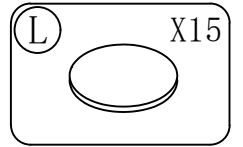
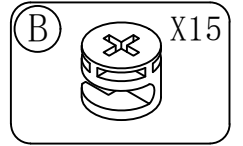
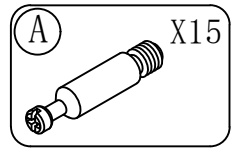
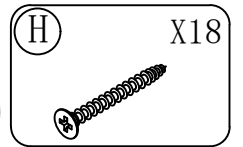
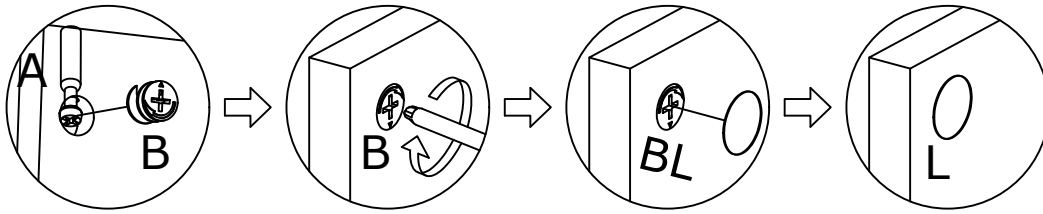
8



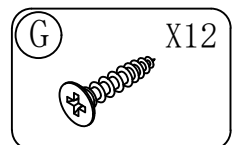
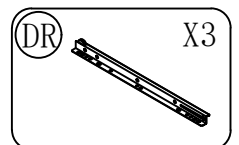
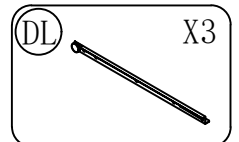
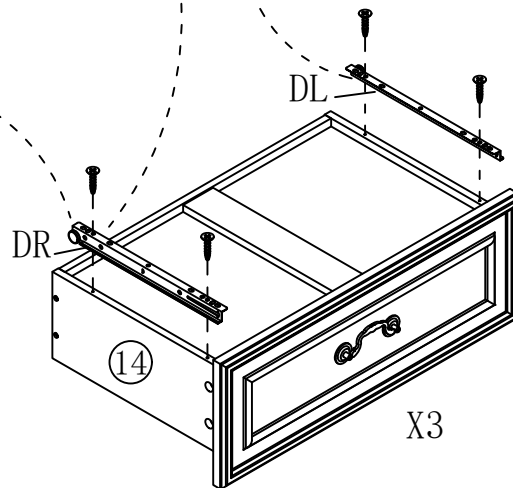
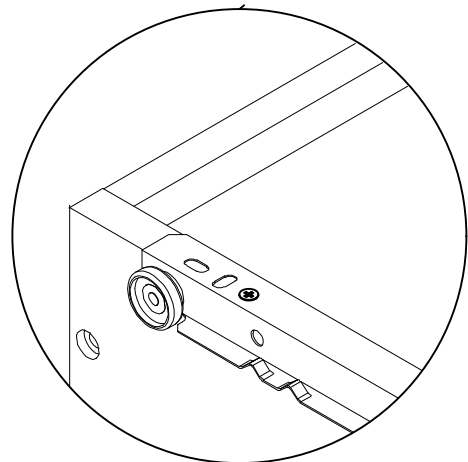
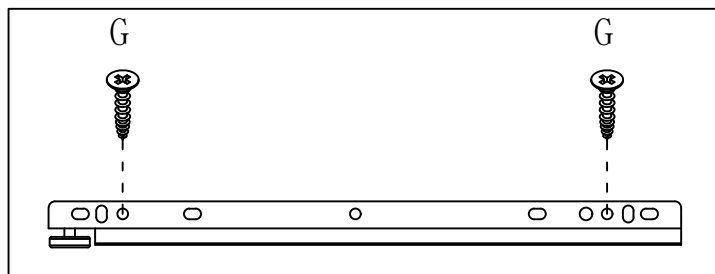
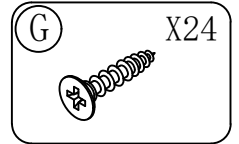
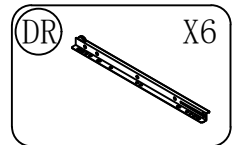
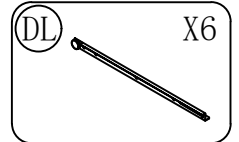
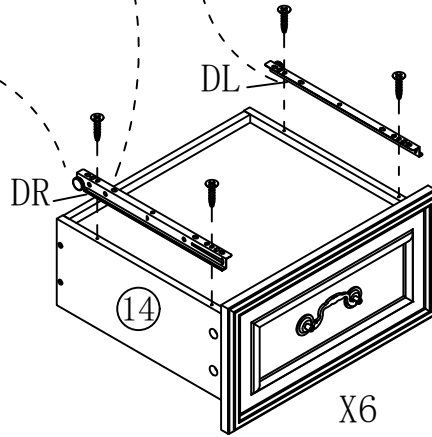
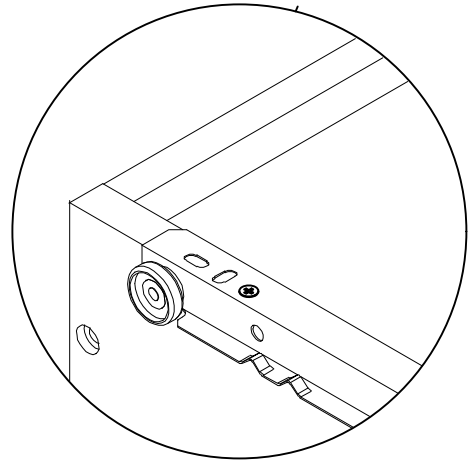
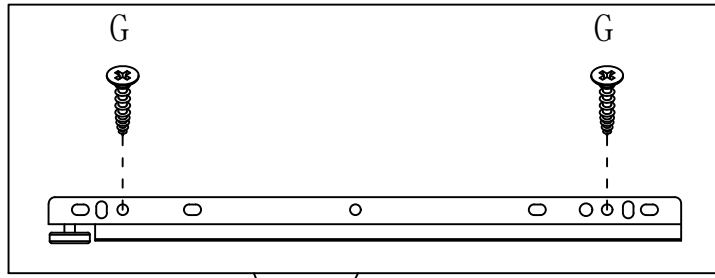
9



10

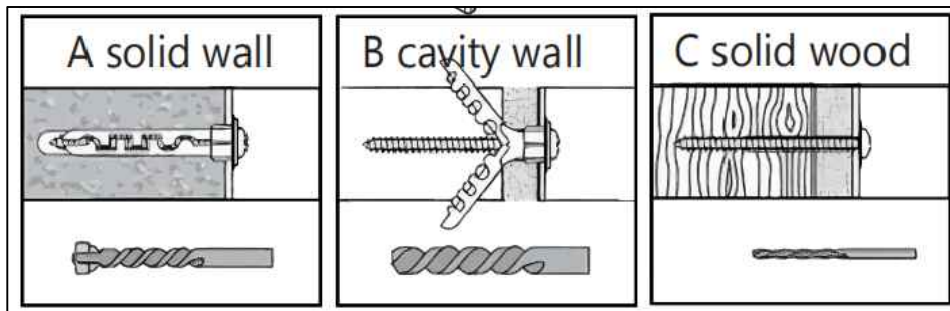
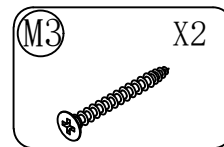
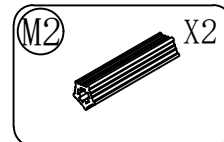
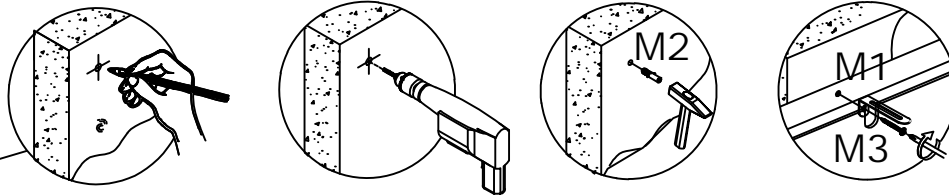


11



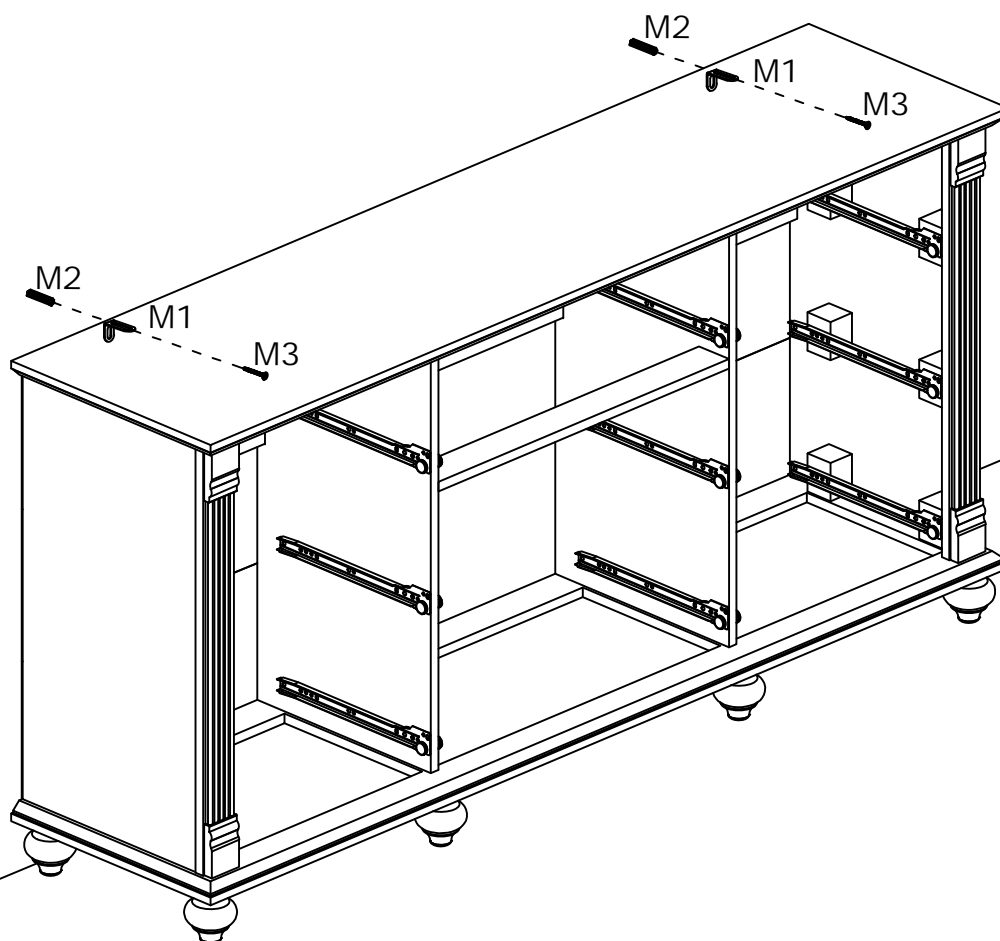
16

12

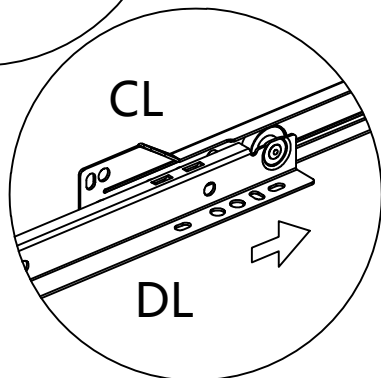
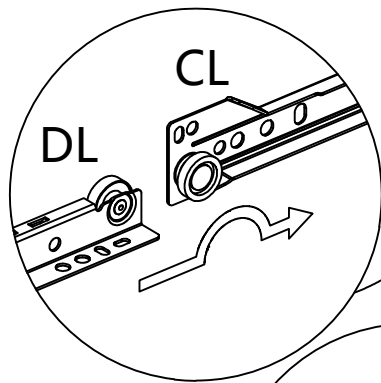
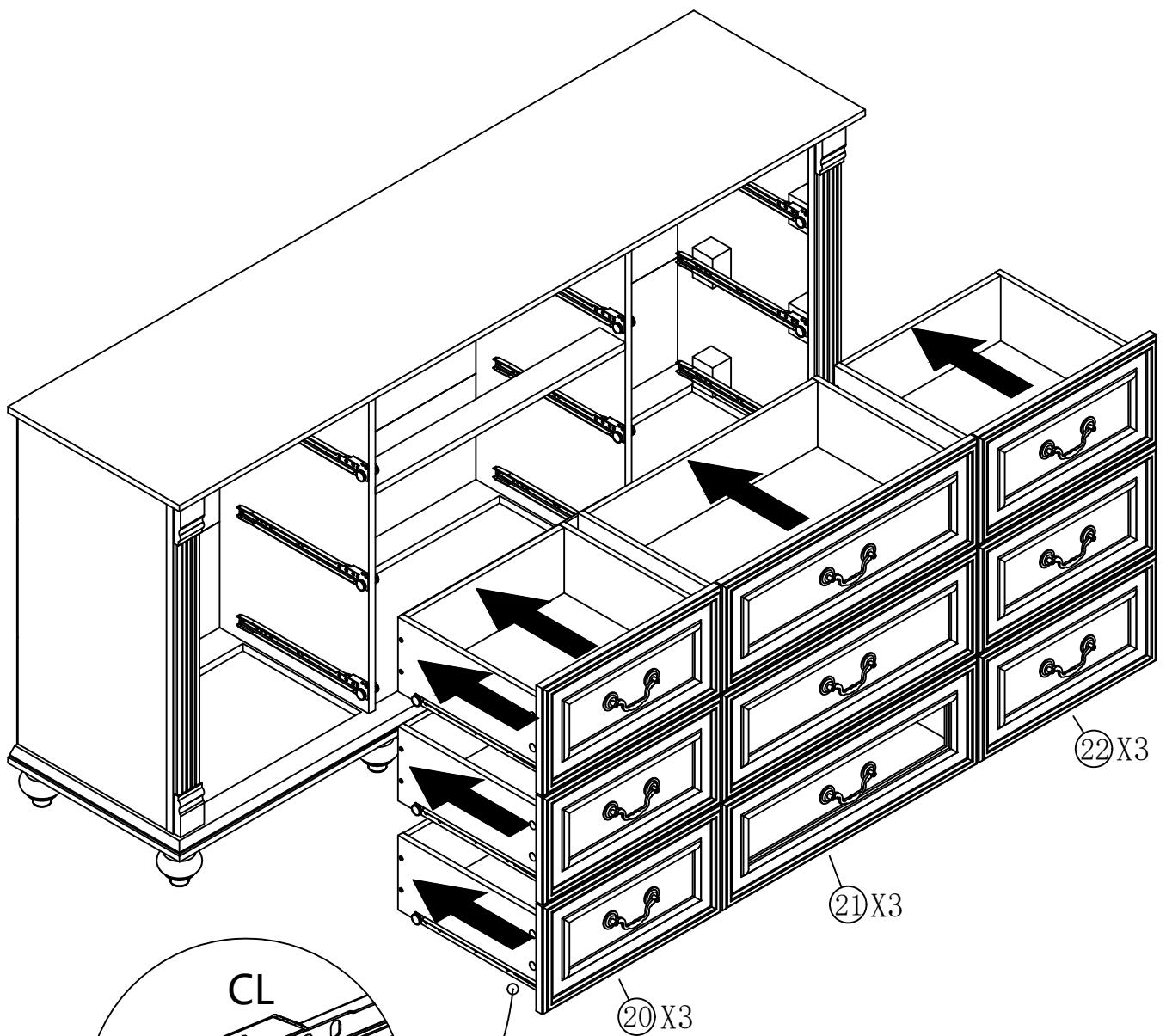


⚠ Warning: If you overturn the furniture, it may cause serious or fatal crushing injuries. We have a wall connection device attached, please use it to hold the furniture following these instructions.

1. Mark the corresponding hole positions where you want to place the furniture;
2. Use a impact drill to drill holes and pay attention to avoid wires and water pipes;
3. Knock the expansion pipes into the wall holes;
4. Place the furniture in the corresponding position and tighten the wall connection device with screws.



13



14

