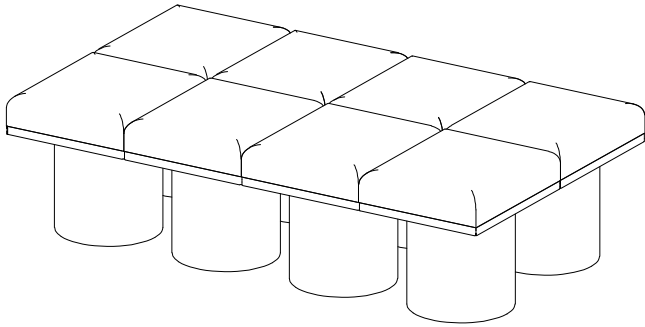
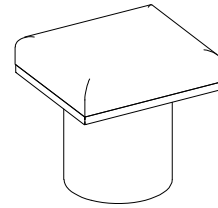


ASSEMBLY INSTRUCTIONS



+Parts Included

① Bench (8 pcs)



+Do Not Use Power Tools



+Suggested Adults



NOTE:

- 1 Read instructions cover to cover.
- 2 Save all packaging until assembly is completed.

1 IMPORTANT SAFETY INFORMATION

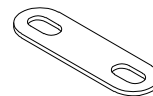
- Do not** assemble the product if the parts arrived damaged.
- Do not** assemble if Hardware parts are missing.

2 IMPORTANT ASSEMBLY INFORMATION

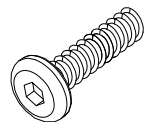
Assembly Step If loosening persists, please make sure to tighten all the bolts periodically, or use a thread locker adhesive.

+Parts Included

A. Bracket Metal
2x20x65mm (20 pcs)



B. Bolt
Ø6x20mm (40 pcs)



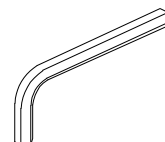
C. Spring Washer
Ø6xØ12mm (40 pcs)



D. Flat Washer
Ø6xØ19mm (40 pcs)

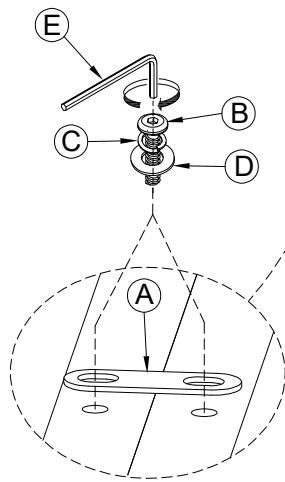
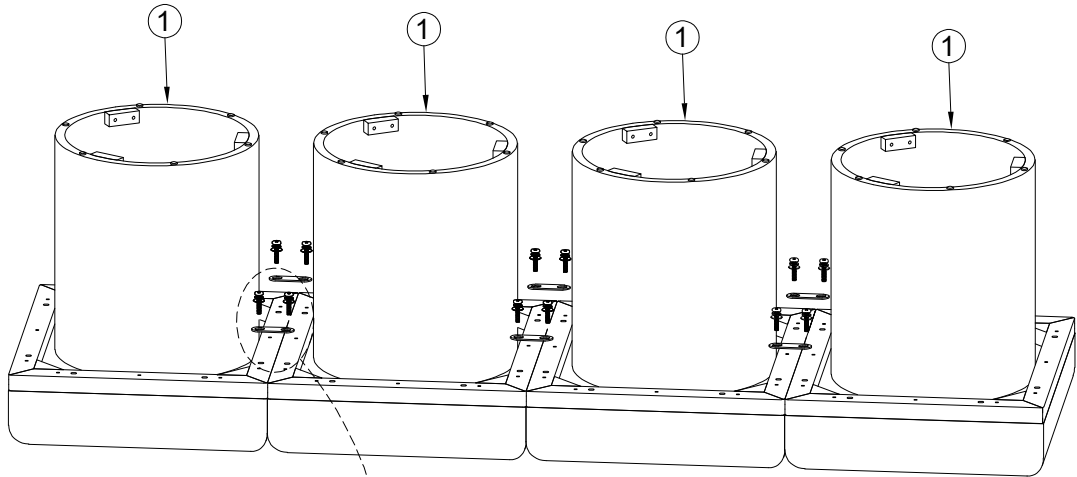


E. Allen Key (1 pc)



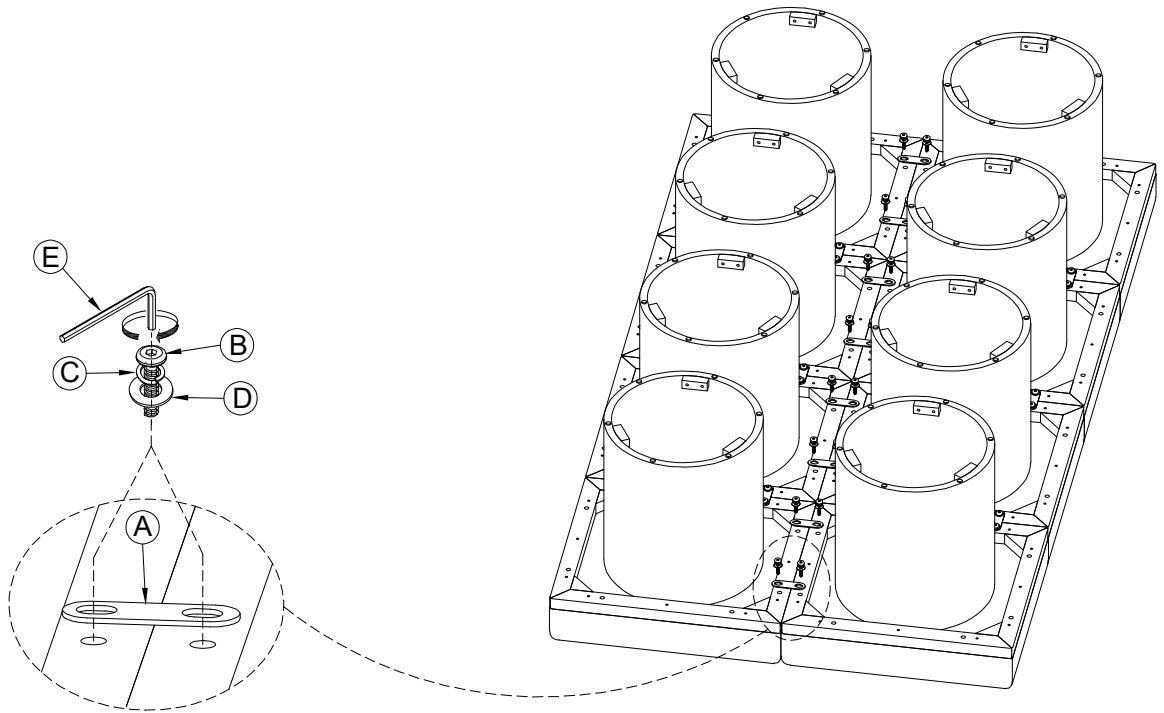
ASSEMBLY INSTRUCTIONS

①



ASSEMBLY INSTRUCTIONS

2



3

