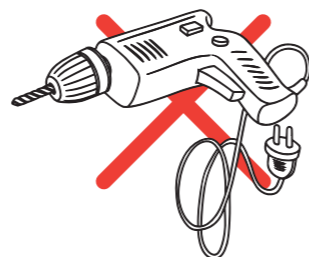
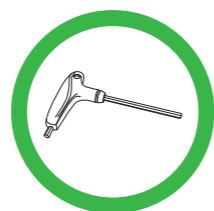


Leave the dining chair in a shady outside for 1-2 days.

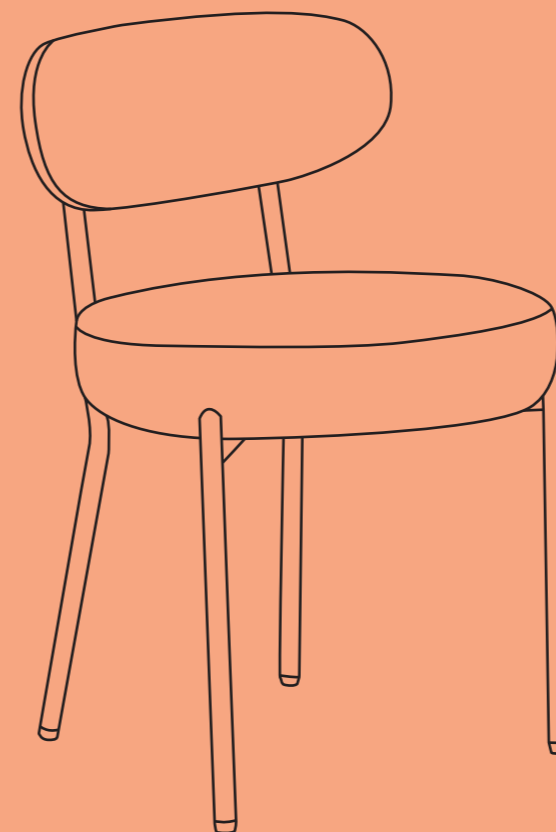


For longer use

Re-tighten bolts every 6 months by using the enclosed allen-key.
*Using an electric drill can damage the chair.
Please re-tighten bolts manually.



INSTRUCTION MANUAL



Safety Information



Sit in the center of the chair, with your back to the backrest



Do not sit at the front edge of the chair



Do not stand on the chair



Do not use the chair with more than one person



Do not push the chair around when a person is sitting in it

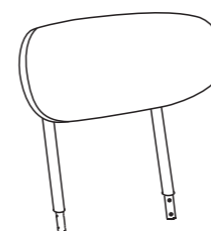


Do not push down on the backrest when a person is reclined



Do not place all your weight on only the backrest

Package List



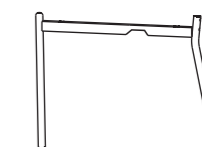
(A)*1 Backrest



(B)*1 Seat Cushion



(C)*1 Leg (2)



(D)*1 Leg (1)



M6x47mm

(E)*4 Bolts



M6x12mm

(F)*4 Bolts



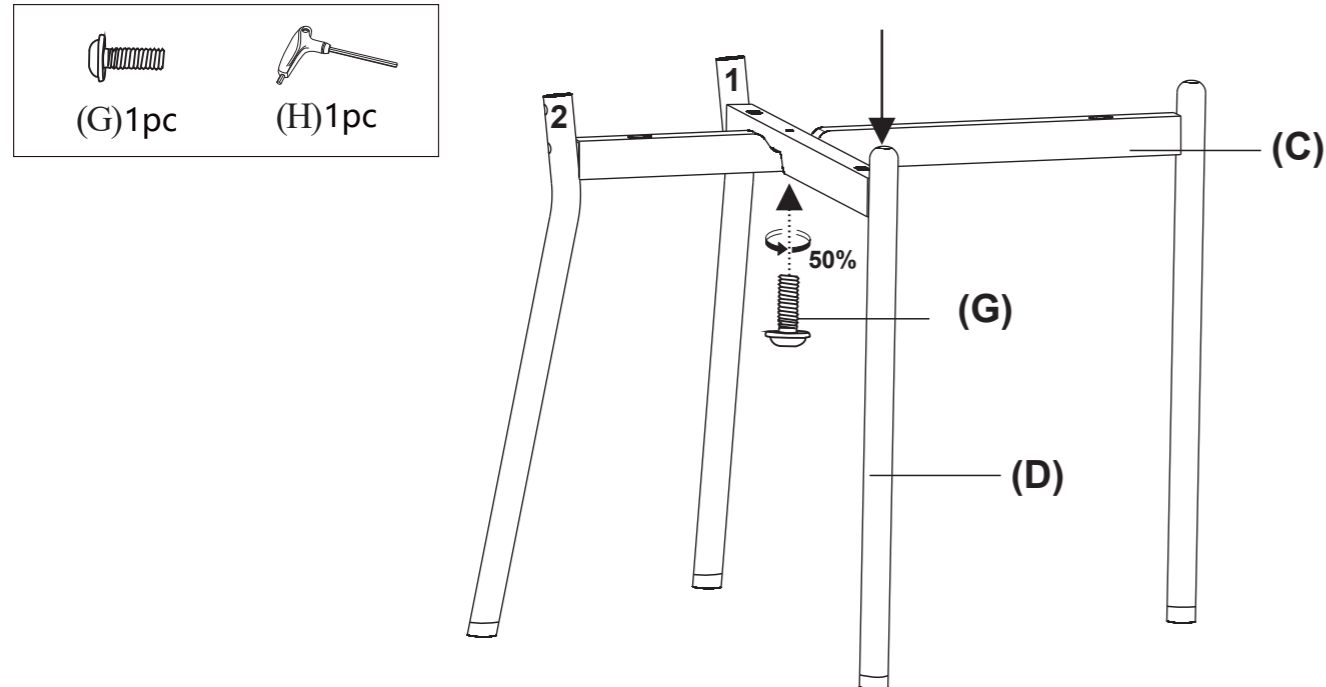
M6x30mm

(G)*1 Bolts

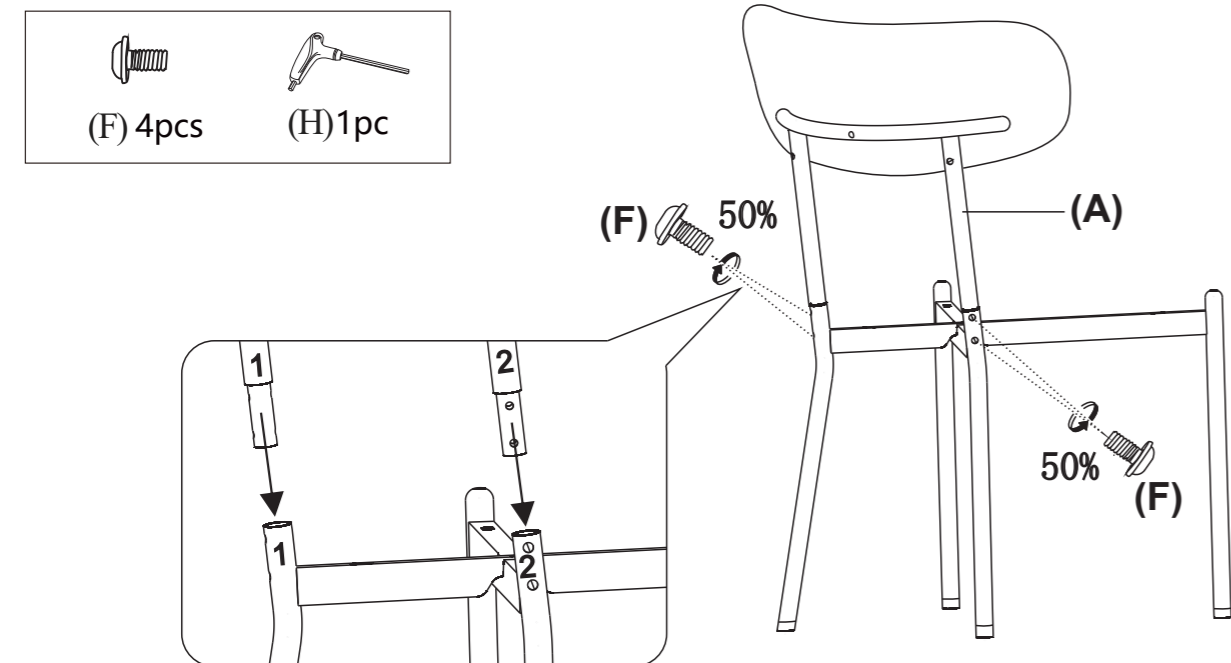


(H)*1Wrench

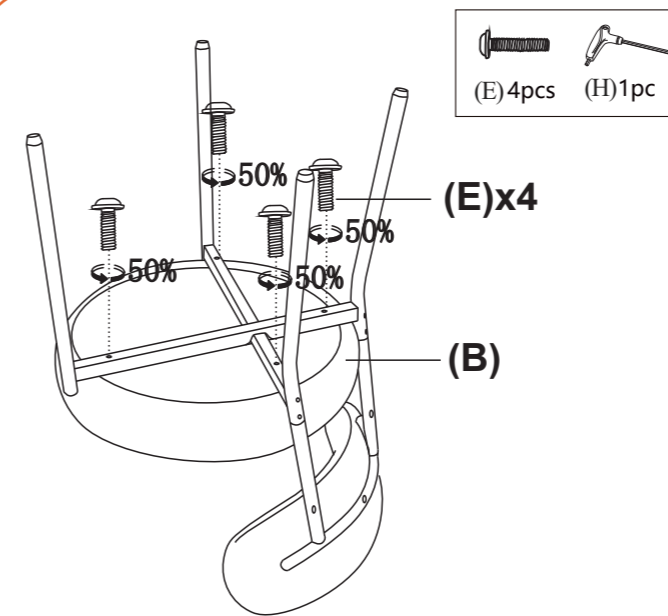
Assembly Instruction



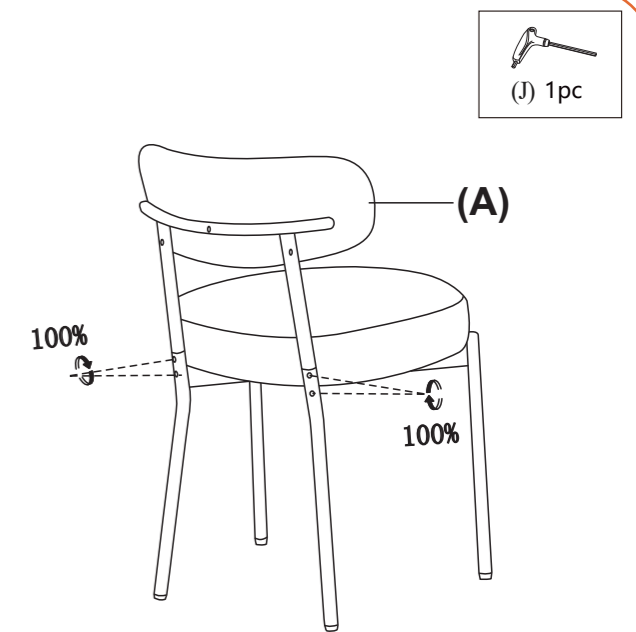
1 **NOTE:** The bolts are only tightened 50%.



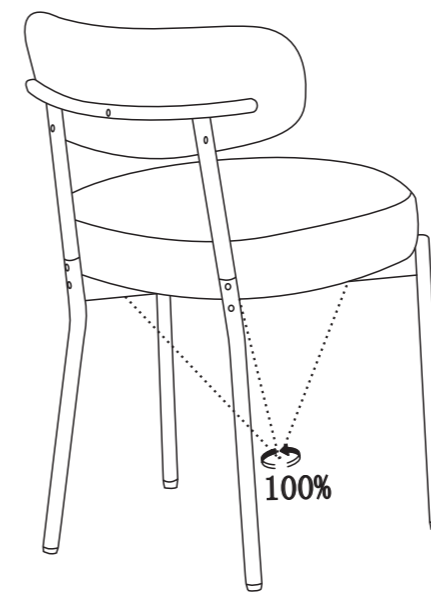
2 **NOTE:** The bolts are only tightened 50%; When installing, please match the numbers on the backrest and legs.



3 **NOTE:** The bolts are only tightened 50%.



4 **NOTE:** Tighten all bolts 100% tightly.



5 **NOTE:** Tighten all bolts 100% tightly.

CAUTION:

- * Before using the chair, check to ensure that all bolts are fully tightened.
- * Lubricate all parts and tighten all bolts every 6 months or whenever needed.

NOTE: 1. All bolts are 100% tightened.