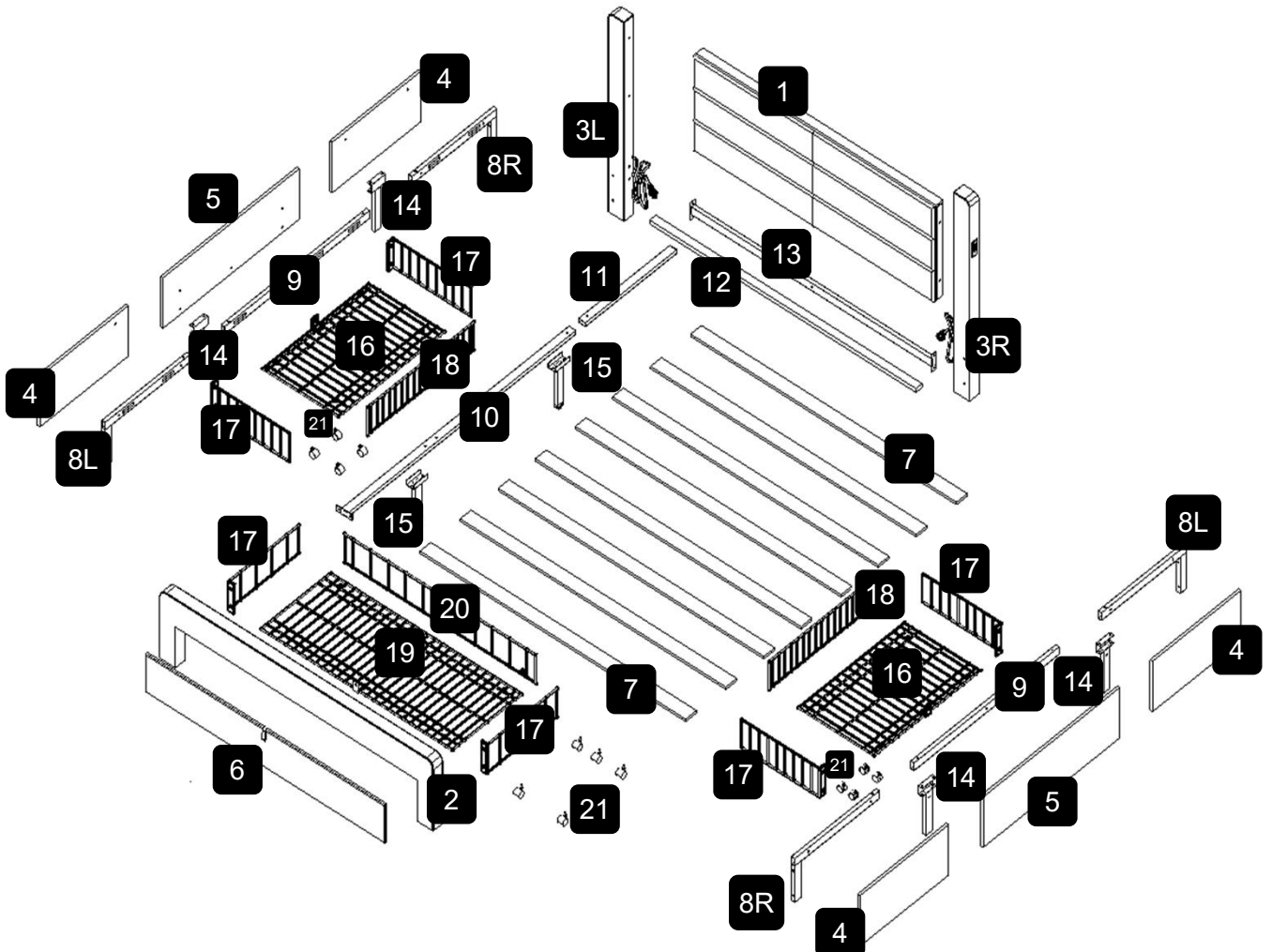
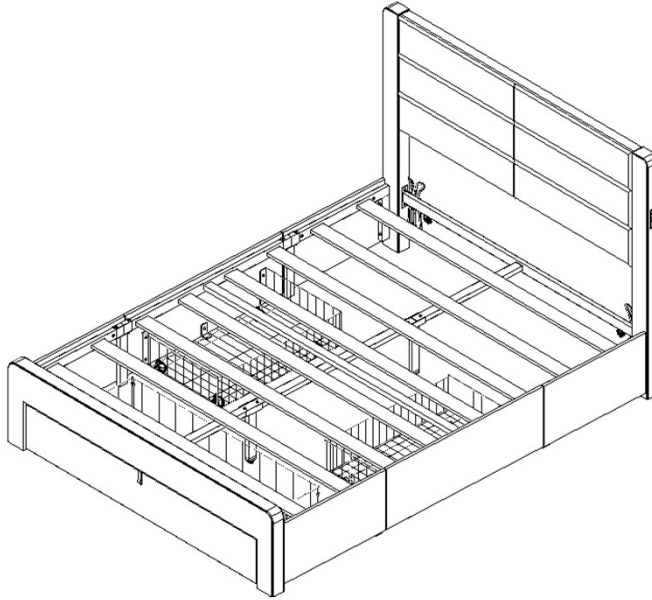


ASSEMBLY INSTRUCTION

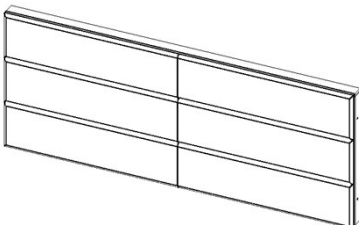


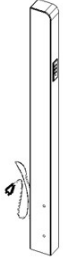
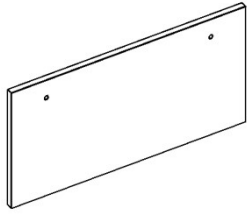
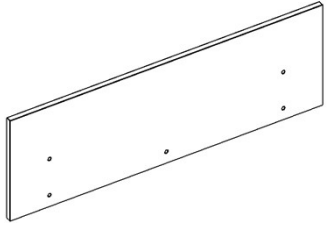
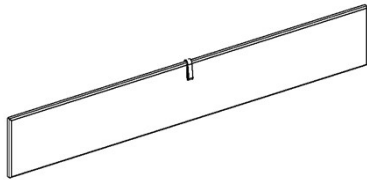

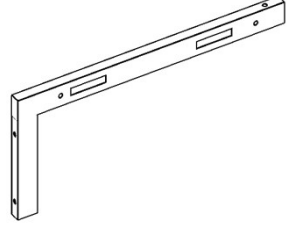
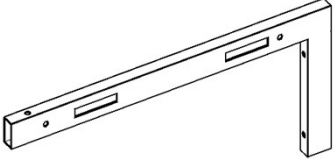
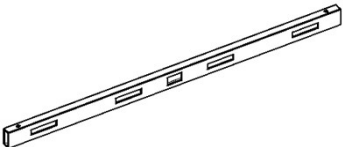
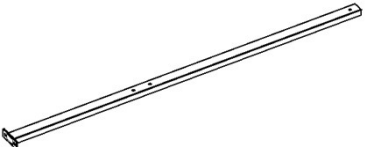
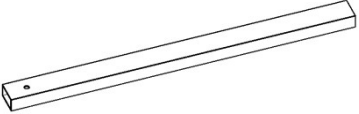

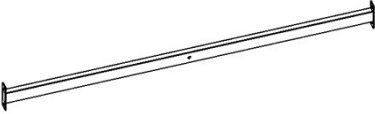
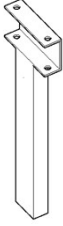
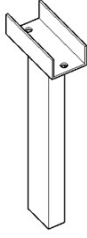

W1580113784 / W1580113785 / W1580113786

TIPS

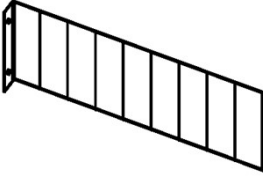
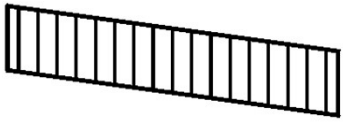
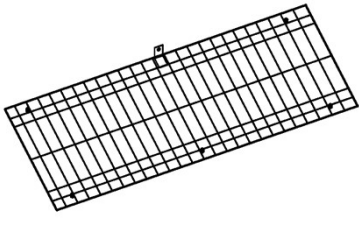
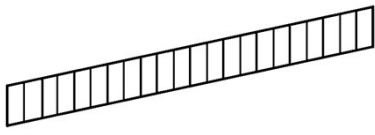

1. This bed fit standard queen mattress 80" L x 60" W.
2. Always use the recommended size mattresses or mattress supports, or both, to help prevent the likelihood of entrapment or falls.
3. Do not allow horseplay on or under the bed and prohibit jumping on the bed.
4. Do not use substitute part. Contact the manufacture or dealer for replacement part.







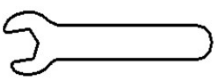

Part List

<p>1</p>  <p>Headboard x1</p>	<p>2</p>  <p>Footboard x1</p>	<p>3L</p>  <p>Headboard Leg x1</p>
<p>3R</p>  <p>Headboard Leg x1</p>	<p>4</p>  <p>Side Rail x4</p>	<p>5</p>  <p>Panels x2</p>
<p>6</p>  <p>Panels x1</p>	<p>7</p>  <p>Slats x8</p>	<p>8L</p>  <p>Metal Slat Frame x2</p>
<p>8R</p>  <p>Metal Slat Frame x2</p>	<p>9</p>  <p>Metal Slat Frame x2</p>	<p>10</p>  <p>Rail x1</p>
<p>11</p>  <p>Rail x1</p>	<p>12</p>  <p>Rail x1</p>	<p>13</p>  <p>Rail x1</p>
<p>14</p>  <p>Support Leg x2</p>	<p>15</p>  <p>Support Leg x2</p>	<p>16</p>  <p>Drawers Bottom Net x2</p>





Part List

<p>17</p>  <p>Drawers Side Net x6</p>	<p>18</p>  <p>Side Net x2</p>	<p>19</p>  <p>Drawers Bottom Net x1</p>
<p>20</p>  <p>Side Net x1</p>	<p>21</p>  <p>Caster x13</p>	

Hardware List-1

<p>A</p>  <p>Bolts(M6X10mm) X17</p>	<p>B</p>  <p>Bolts(M6X30mm) X23</p>	<p>C</p>  <p>Bolts(M6X55mm) X16</p>
<p>D</p>  <p>Nut(M6) X12</p>	<p>E</p>  <p>Spanner X1</p>	<p>F</p>  <p>Allen Key X1</p>

Hardware List-2

<p>G</p>  <p>Plastic Tube Plug X4</p>	<p>H</p>  <p>Plastic Tube Plug with nut X6</p>	<p>I</p>  <p>Adjustable Screw Feet X6</p>
<p>J</p>  <p>Clasp X36</p>		

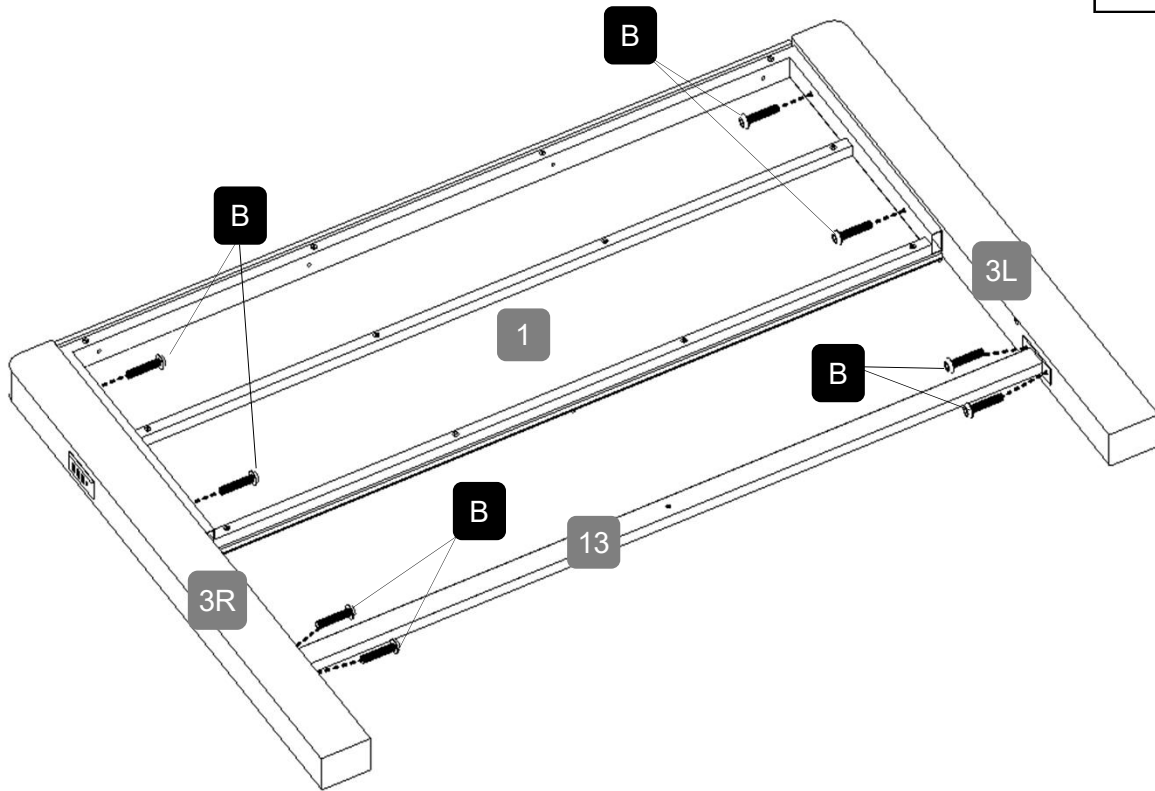
Step1

Attention: Do not tighten the screws before completing the entire installation. If you have any difficulty with the installation process, please feel free to contact us.

B



Bolts(M6X30mm) X8



Step2

H

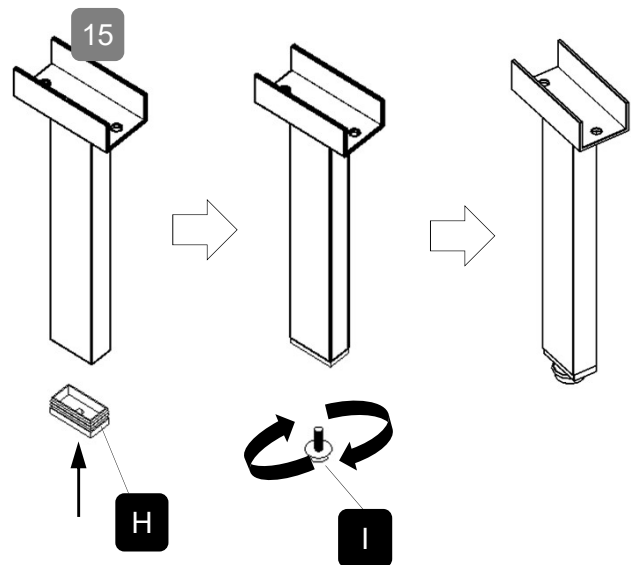
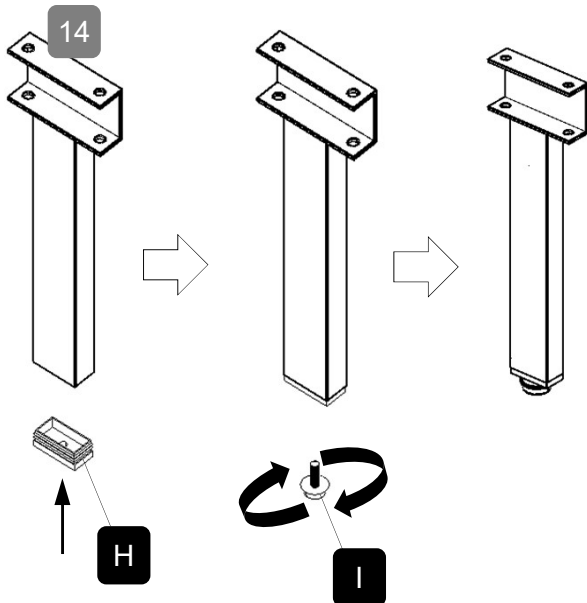


Plastic Tube Plug with nut X6

I



Adjustable Screw Feet X6

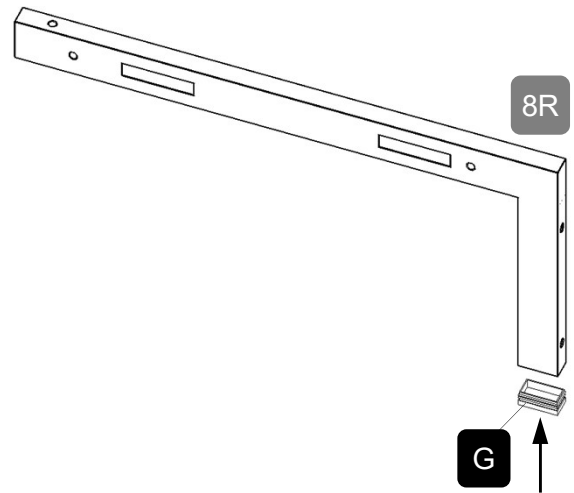
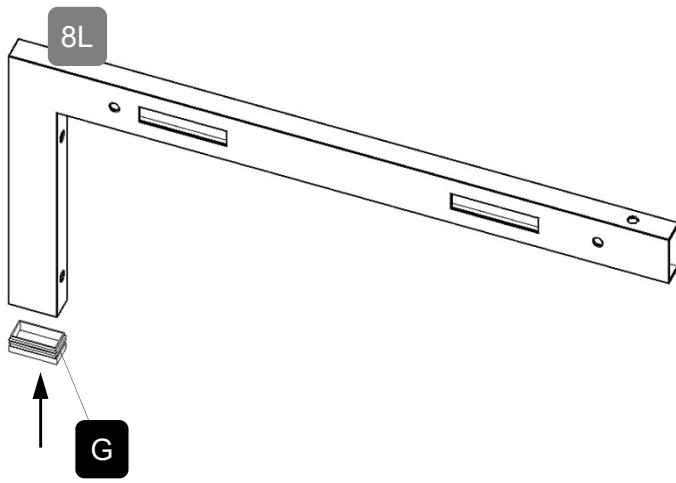


Step3

G



Plastic Tube Plug X4



Step4

B



Bolts(M6X30mm) X2

C

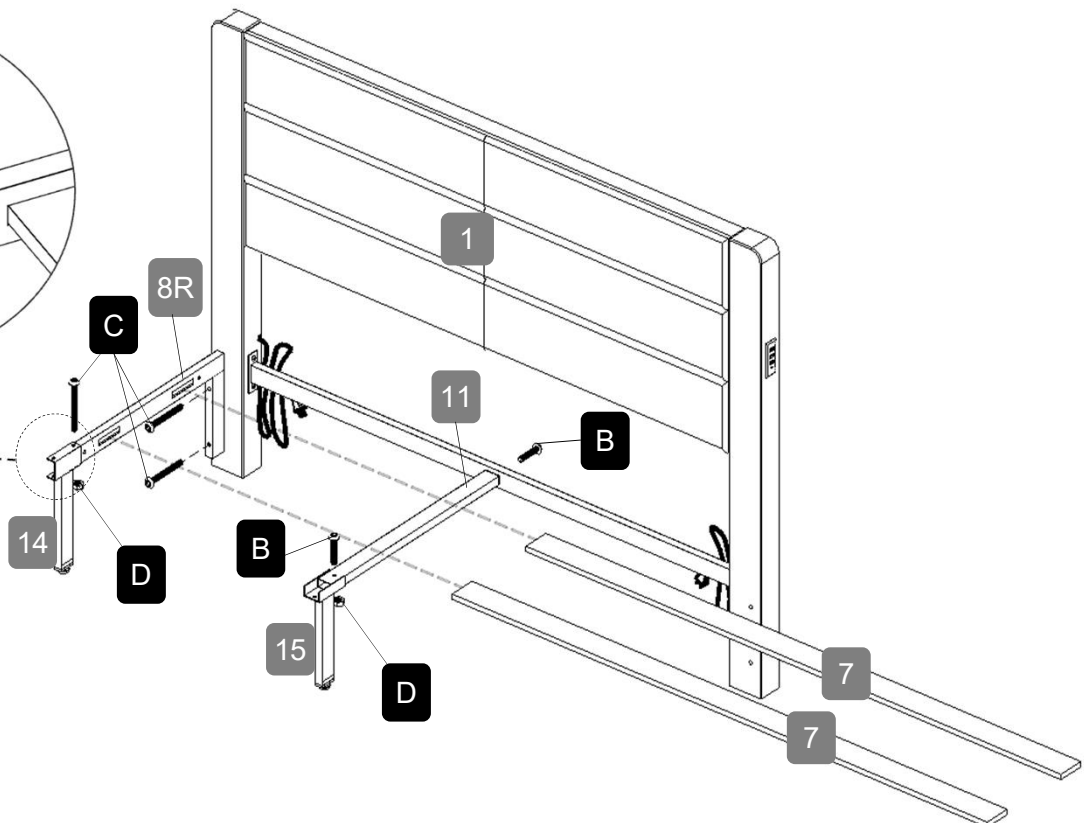
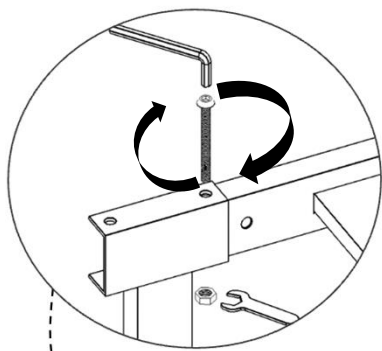


Bolts(M6X55mm) X3

D



Nut(M6) X2



Step5

C

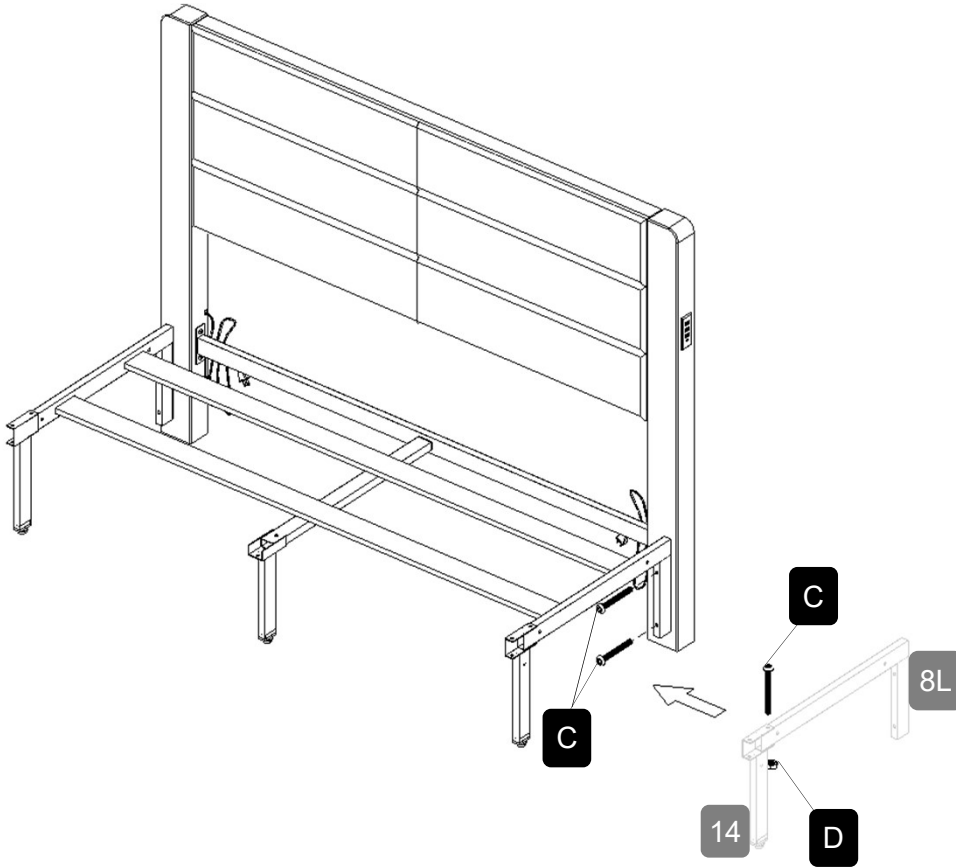


Bolts(M6X55mm) X3

D



Nut(M6) X1



Step6

B



Bolts(M6X30mm) X6

C

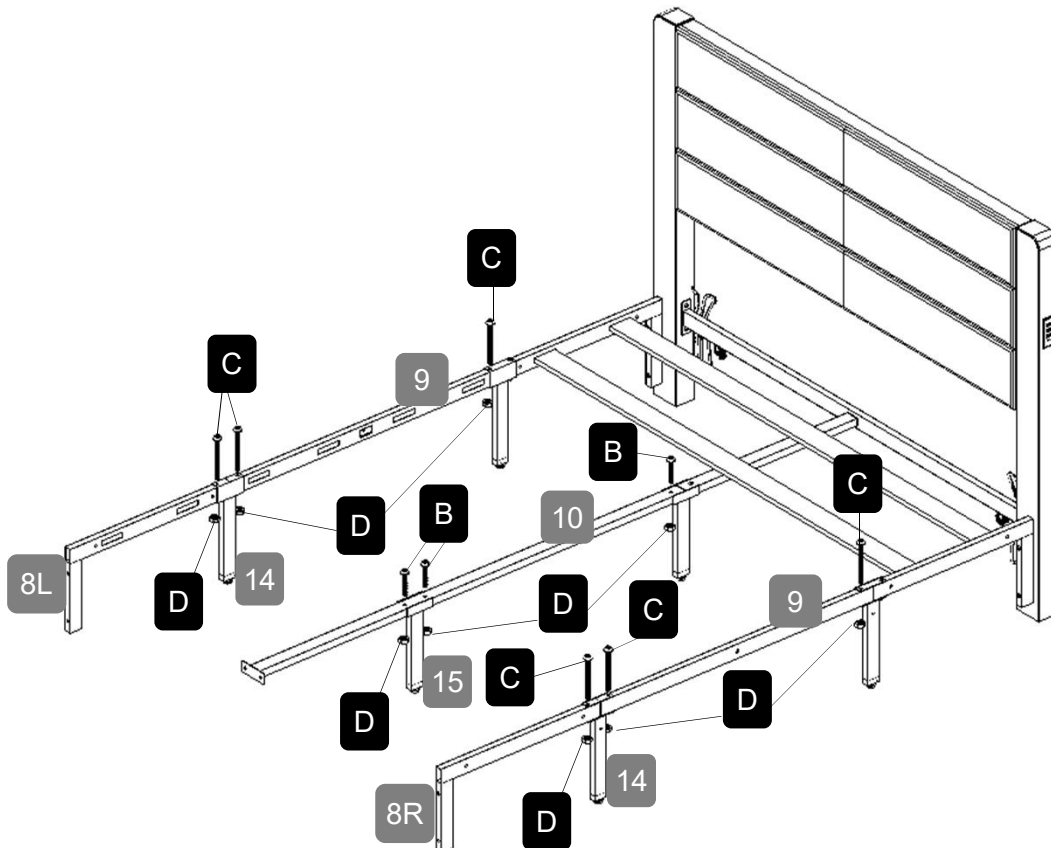


Bolts(M6X55mm) X3

D



Nut(M6) X9

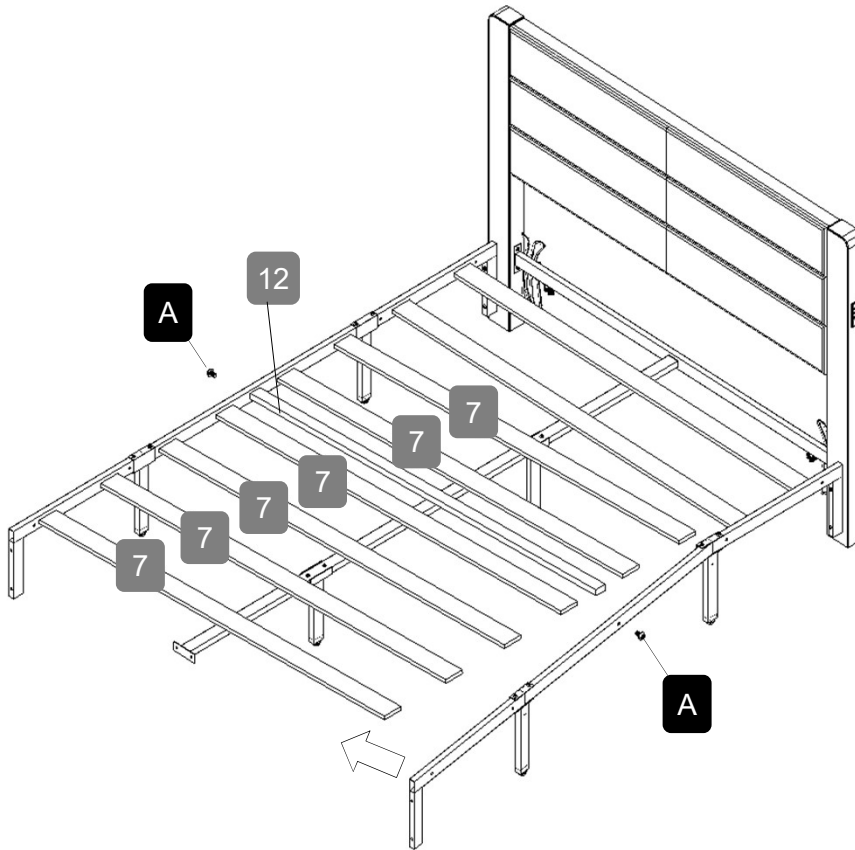


Step7

A



Bolts(M6X10mm) X2



Step8

B

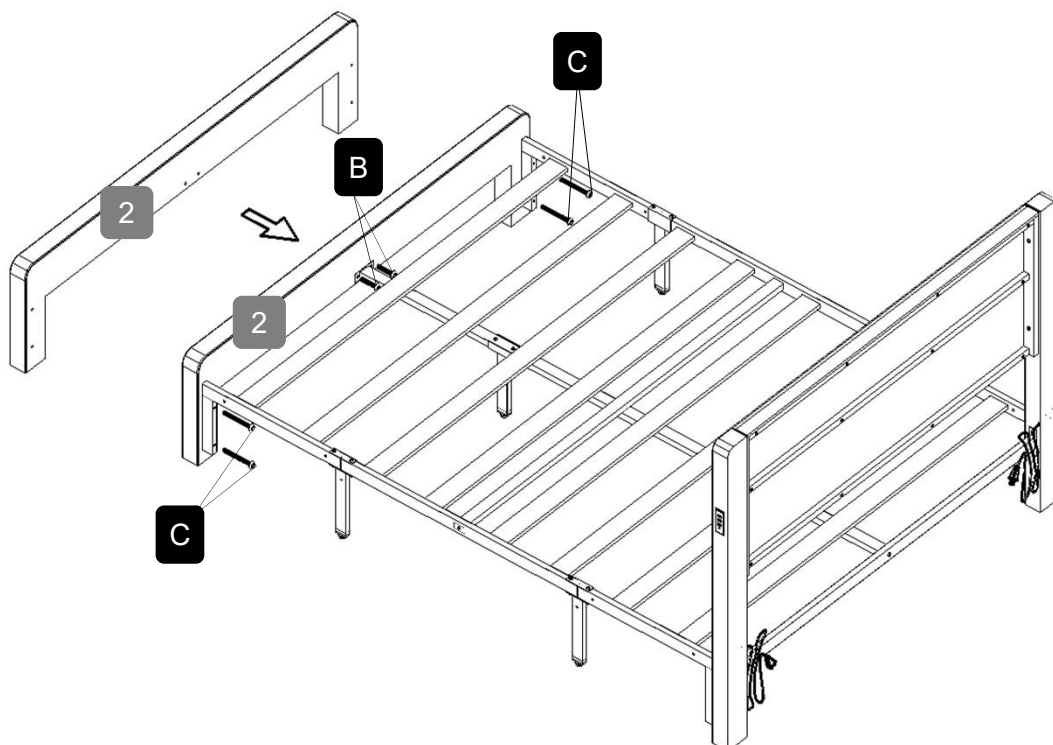


Bolts(M6X30mm) X2

C



Bolts(M6X55mm) X4

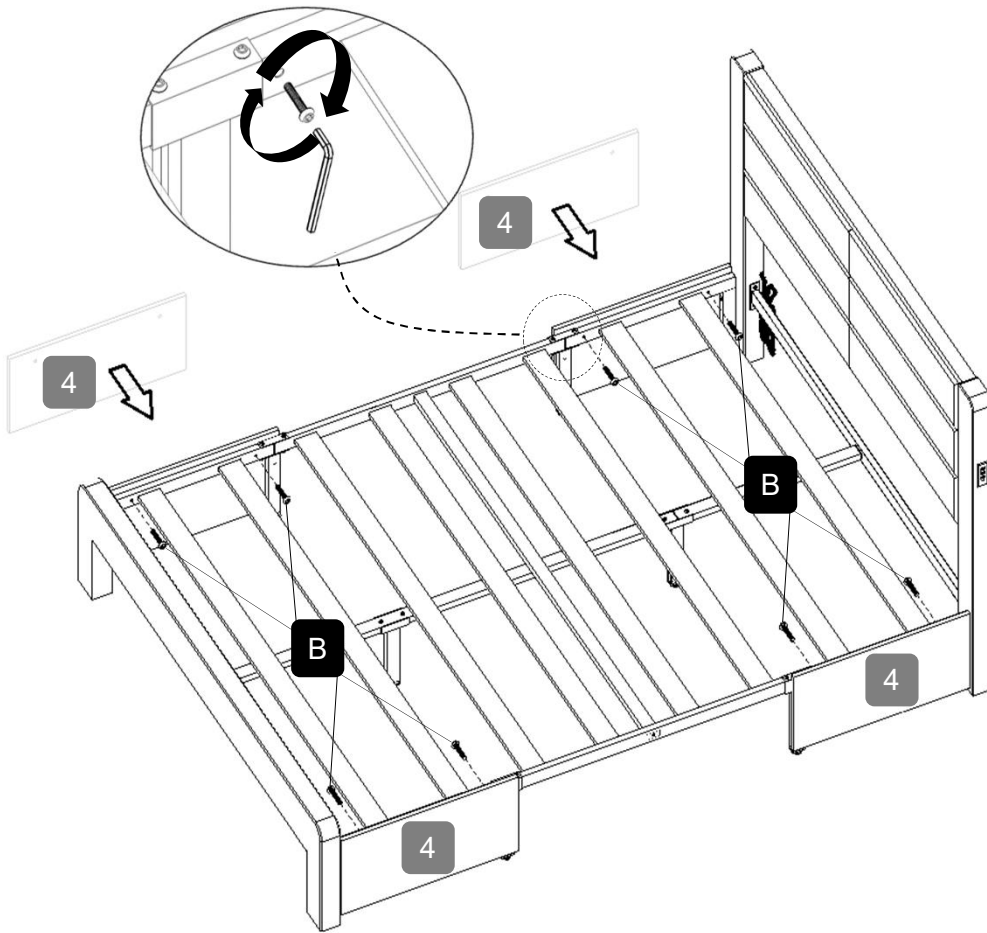


Step9

B



Bolts(M6X30mm) X8



Step10

A

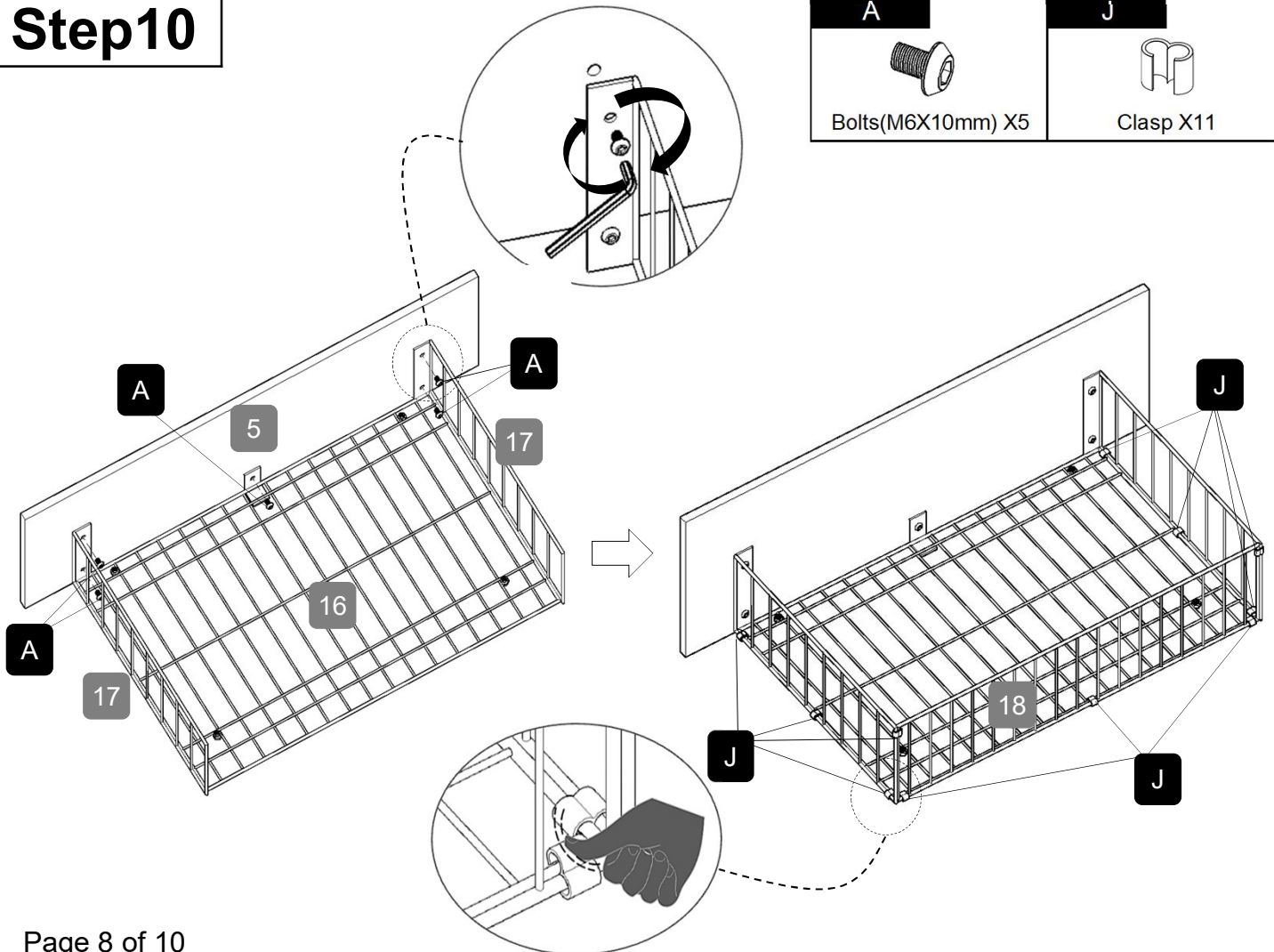


Bolts(M6X10mm) X5

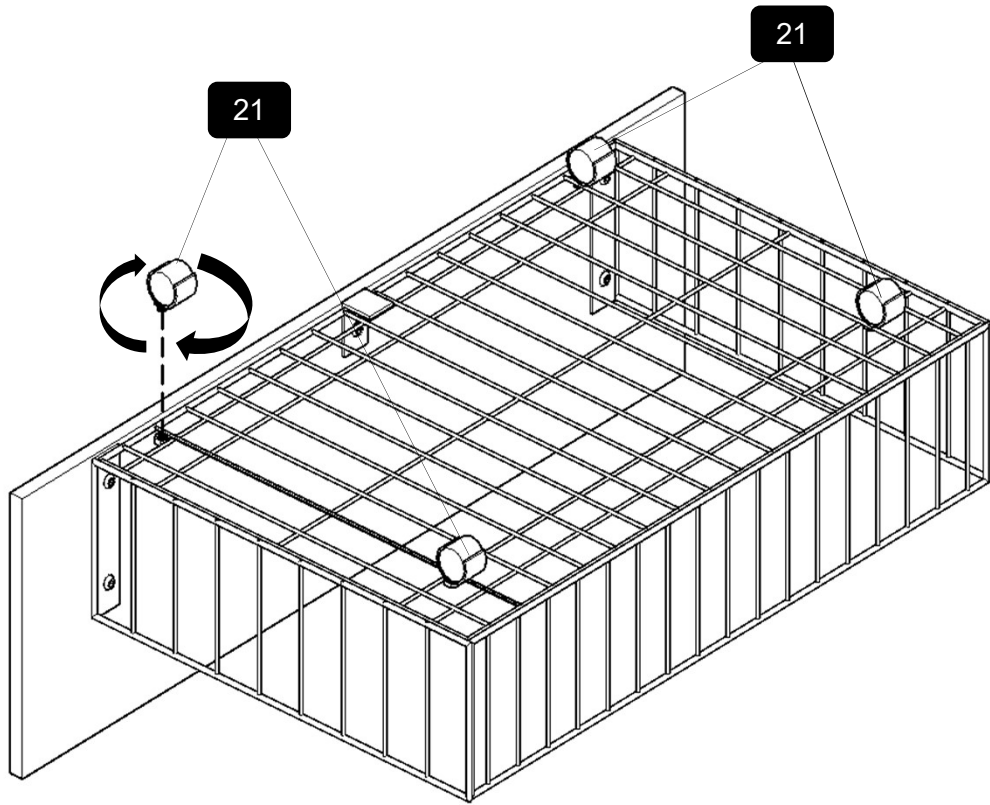
J



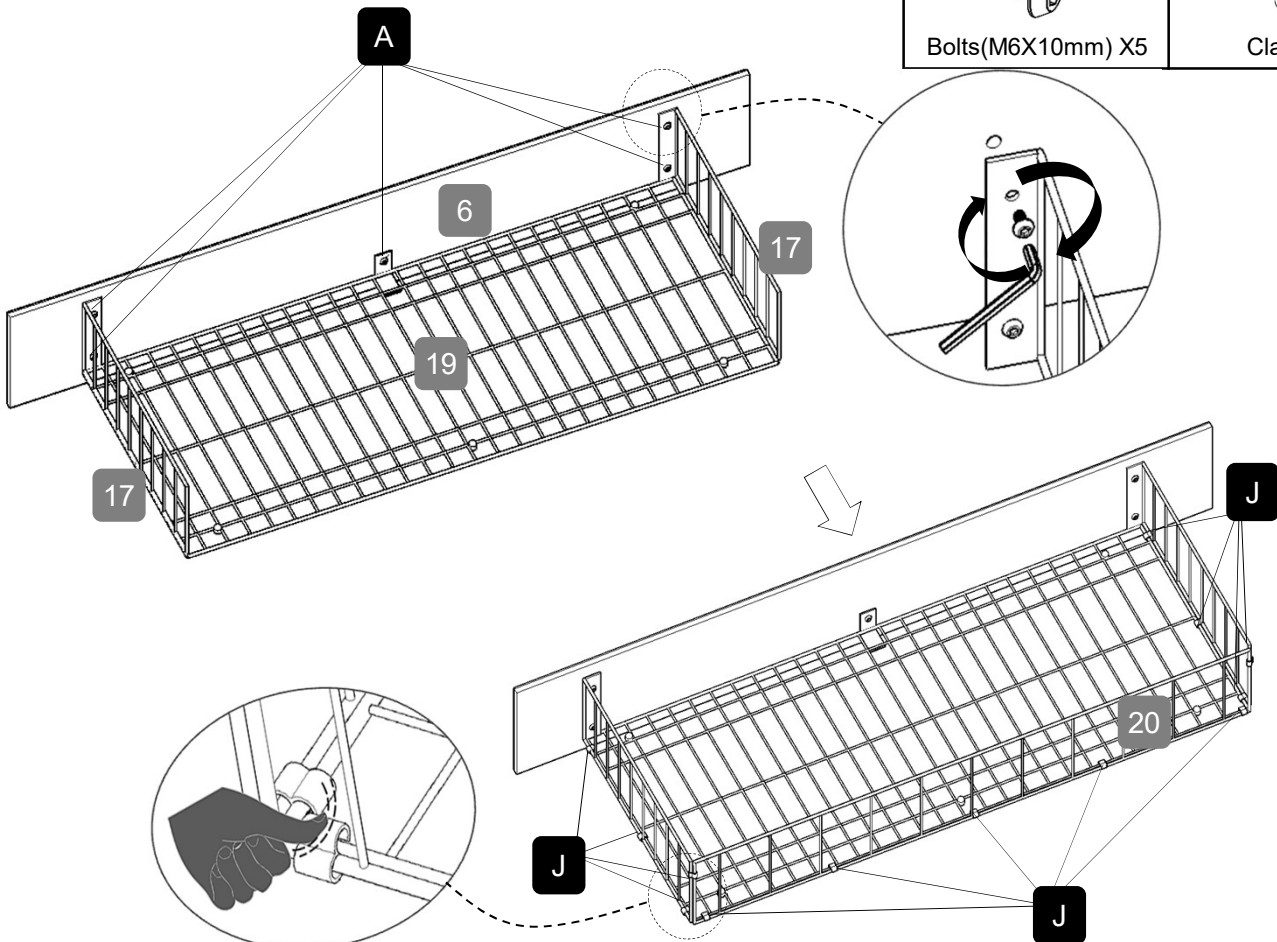
Clasp X11



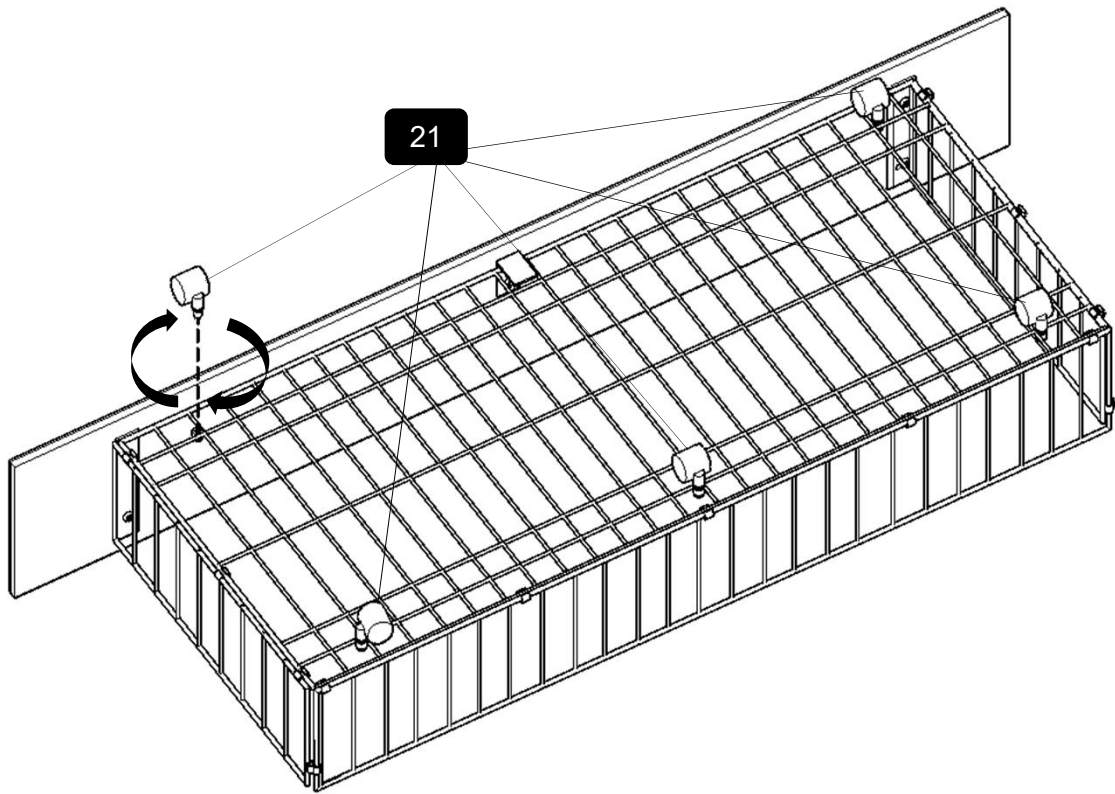
Step11



Step12



Step13



Step14

