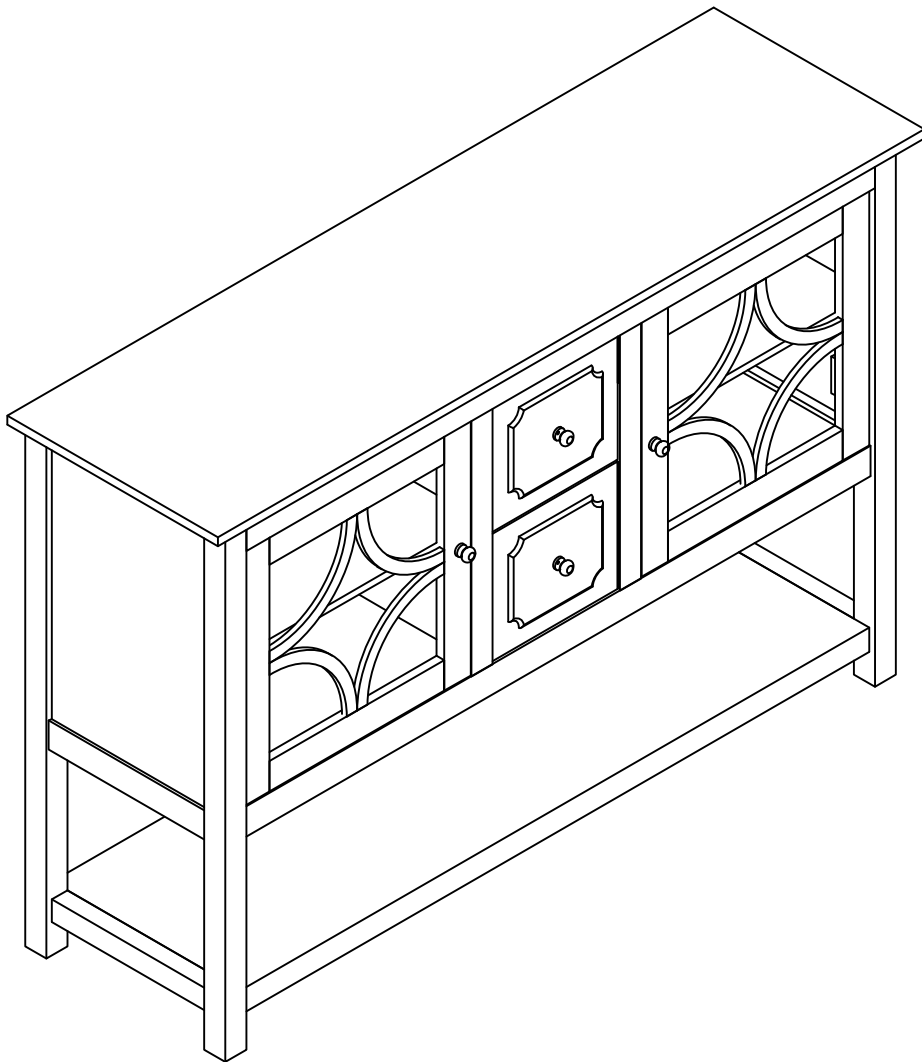


# ASSEMBLY INSTRUCTIONS

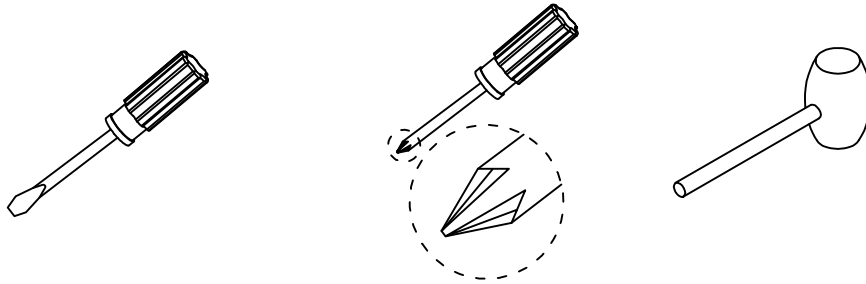
## TV Stand



*If you find any damage after opening, please be sure to take pictures of the damage and contact us. We will help you solve the problem as soon as possible.*

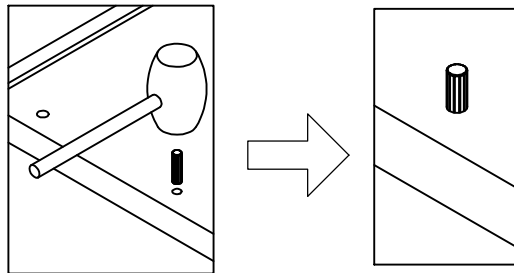
**THANK YOU**

## ASSEMBLY TOOLS REQUIRED (NOT INCLUDED)

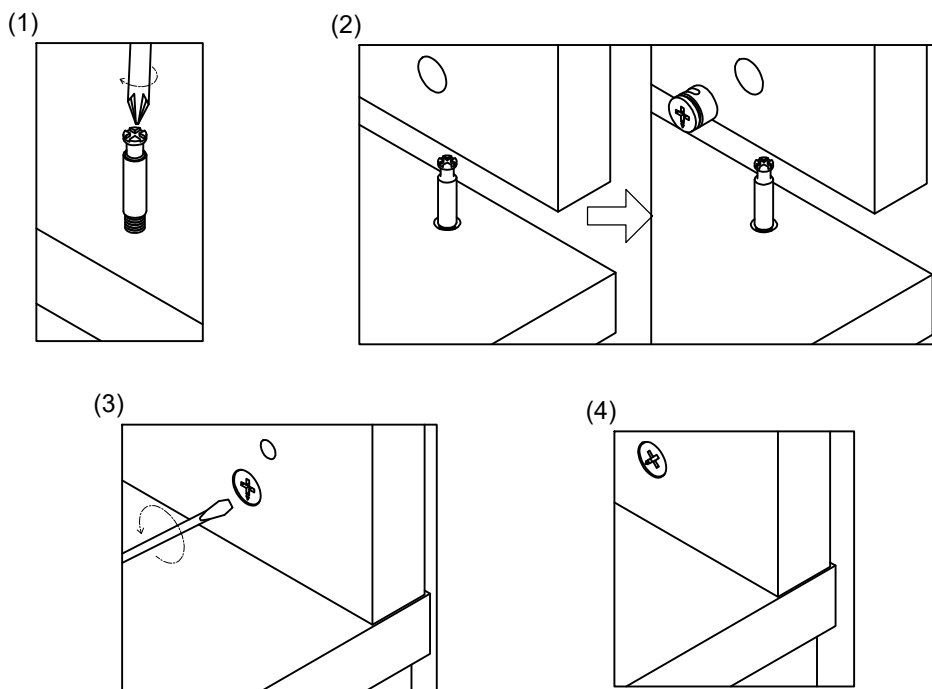


## WOODEN DOWEL INSTALLATION PROCEDURE

Gently tap dowel into hole with rubber mallet

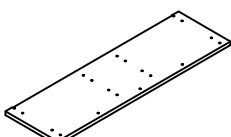
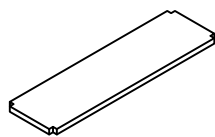
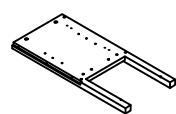
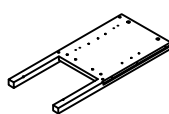
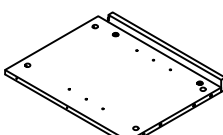
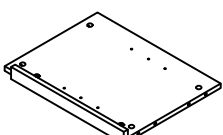
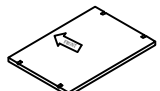
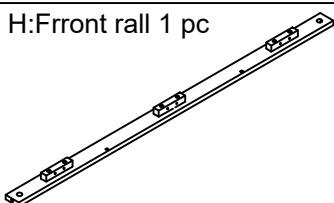
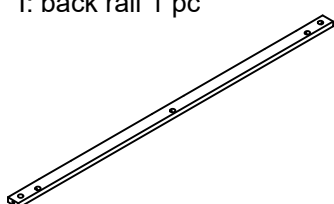
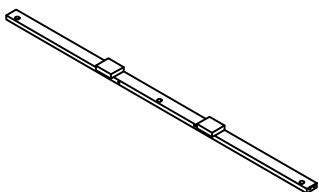

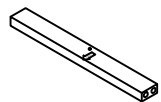
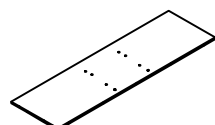
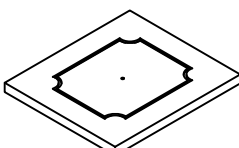
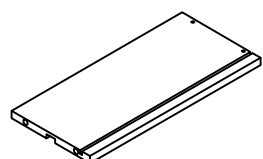
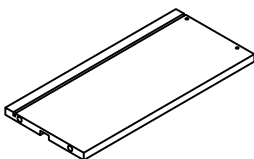
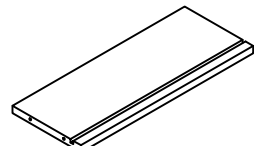
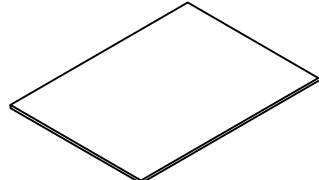
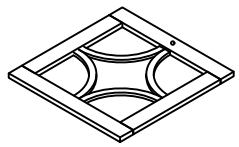
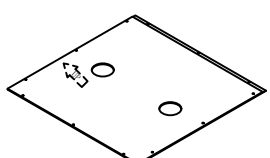
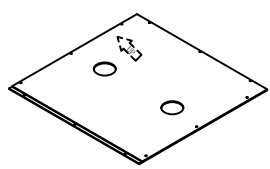
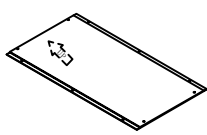


## HIDDEN CONNECTOR.....ASSEMBLY TECHNIQUES




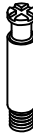




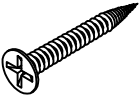
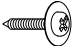



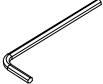
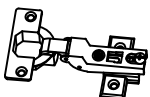

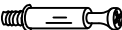


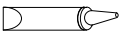

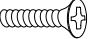
# PARTS LIST

## A Carton part list

<p>A:Top panel 1 pc</p> 	<p>B:Bottom panel 1 pc</p> 	<p>C:Right panel 1 pc</p> 	<p>D:left panel 1 pc</p> 
<p>E: Left partition1 pc</p> 	<p>F: Right Partition 1 pc</p> 	<p>G:Shelf 2 pc</p> 	<p>H:Frront rall 1 pc</p> 
<p>I: back rall 1 pc</p> 	<p>J:UP front rall 1 pcs</p> 	<p>k:Leg 1 pcs</p> 	<p>L:Rall 1 pc</p> 
<p>M:Mid shelf 1 pc</p> 	<p>O:Drawer front panel 2 pcs</p> 	<p>P:Drawer left side 2 pcs</p> 	<p>Q:Drawer right side 2 pc</p> 
<p>R:Drawer back 2 pc</p> 	<p>S:Drawer bottom2 pc</p> 	<p>T:Door 2 pc</p> 	<p>U:Left Back panel 1 pc</p> 
<p>v:Right Back panel 1 pc</p> 	<p>w:Mid Back panel 1 pc</p> 	<p>HARDWARE PKG 1 pc IA 1 pc</p>	

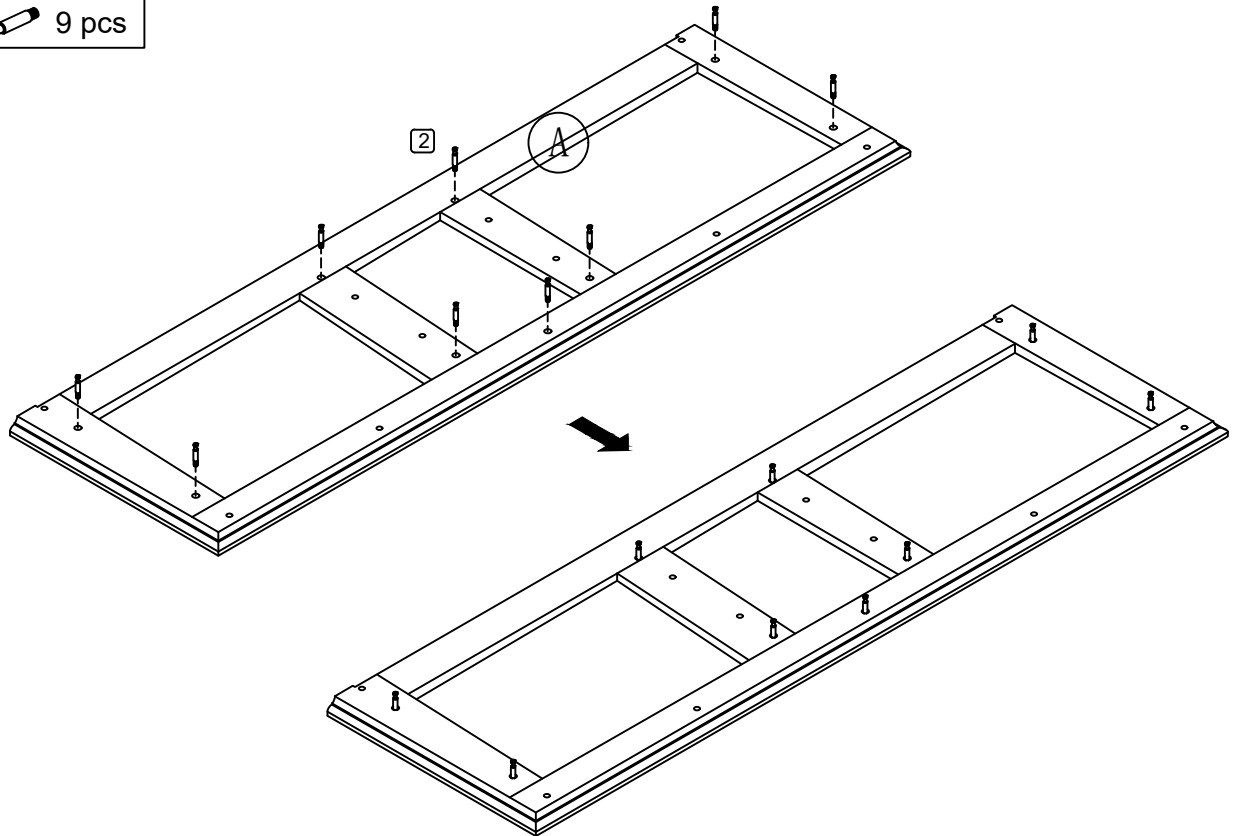
# PARTS LIST

## HARDWARE LIST

<p>1:Cam lock 38 pcs</p>  <p>Ø15*10.5</p>	<p>2:Cam bolt 27 pcs</p>  <p>Ø6*32</p>	<p>3:Wood plug 4 pcs</p>  <p>Ø8*30</p>	<p>4:Wood plug 24pcs</p>  <p>Ø6*30</p>
<p>5:Pull knob 4 pcs</p> 	<p>6:Screw 4 pcs</p>  <p>Ø4x18</p>	<p>7:Wood screw 20 pcs</p>  <p>Ø4.0*25</p>	<p>8:Wood screw 30 pcs</p>  <p>Ø3.0*12</p>
<p>9: Bolt 4 pcs</p>  <p>M6*50(mm)</p>	<p>10.Spring washer 4pc</p> 	<p>11.Washer 4pc</p> 	<p>12.Hexagon socket key</p> 
<p>13.Hinge 4pcs</p>  <p>Ø26</p>	<p>14:Screw 2 pcs</p>  <p>Ø3.0x12</p>	<p>15:Cam bolt 11 pcs</p>  <p>Ø6*32</p>	<p>16.Shelf support pin 8 pc</p>  <p>Ø8x5x16</p>
<p>17.Sticker 20 pcs</p> 	<p>18.:Glue tube 2 pc</p> 	<p>19.Shelf stopper 2 pc</p> 	<p>20:Screw 16 pcs</p>  <p>Ø4x12</p>

### Step 1

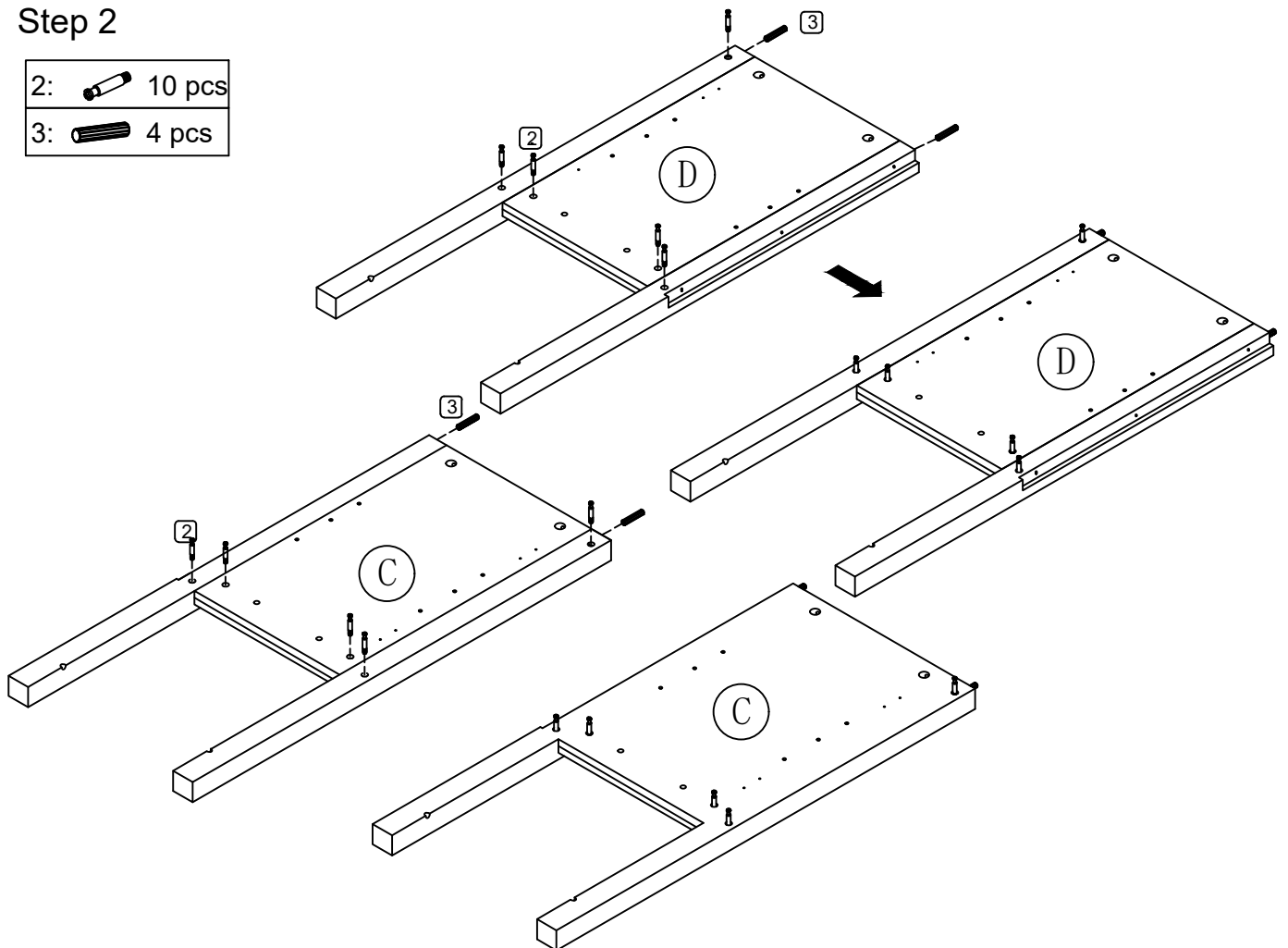
2:  9 pcs







### Step 2

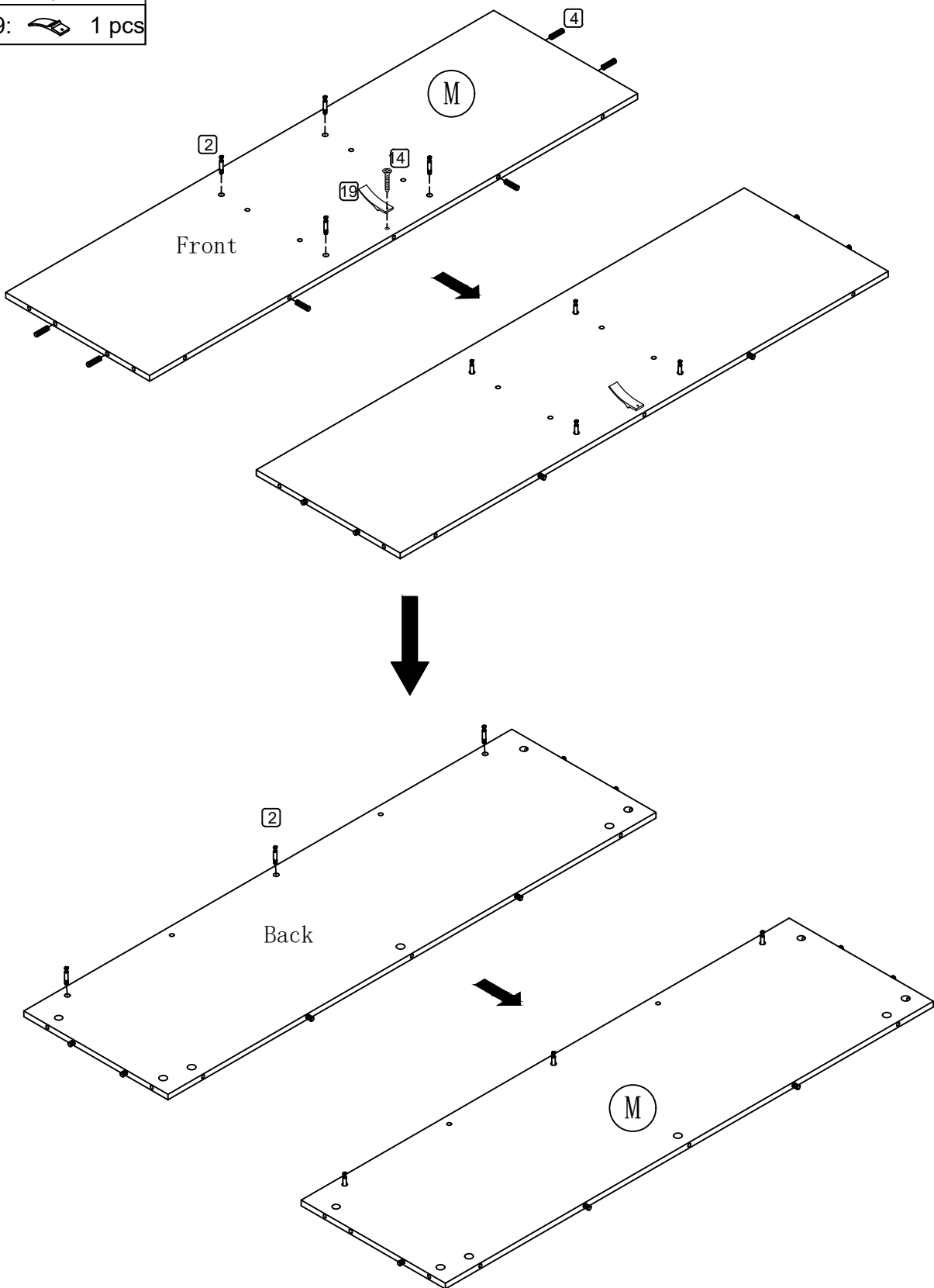
2:  10 pcs

3:  4 pcs




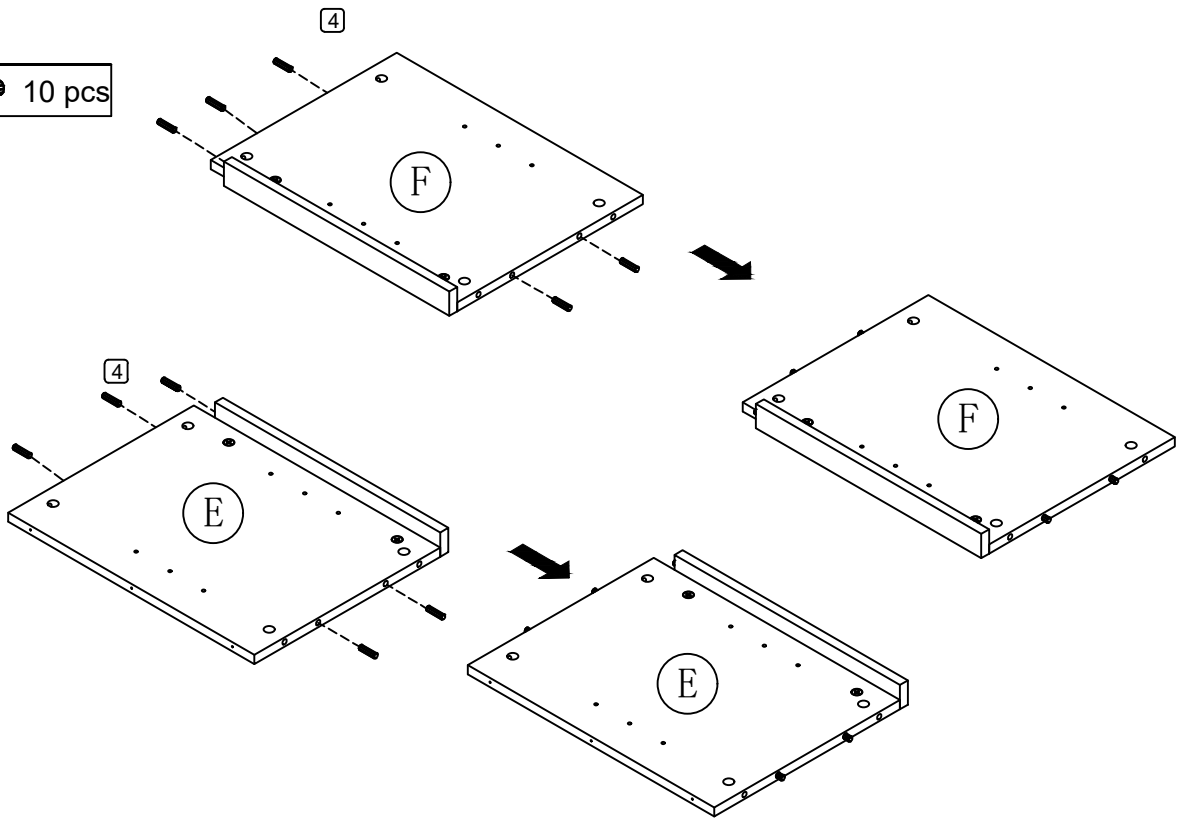
### Step 3

- 2:  7 pcs
- 4:  6 pcs
- 14:  1 pcs
- 19:  1 pcs



### Step 4

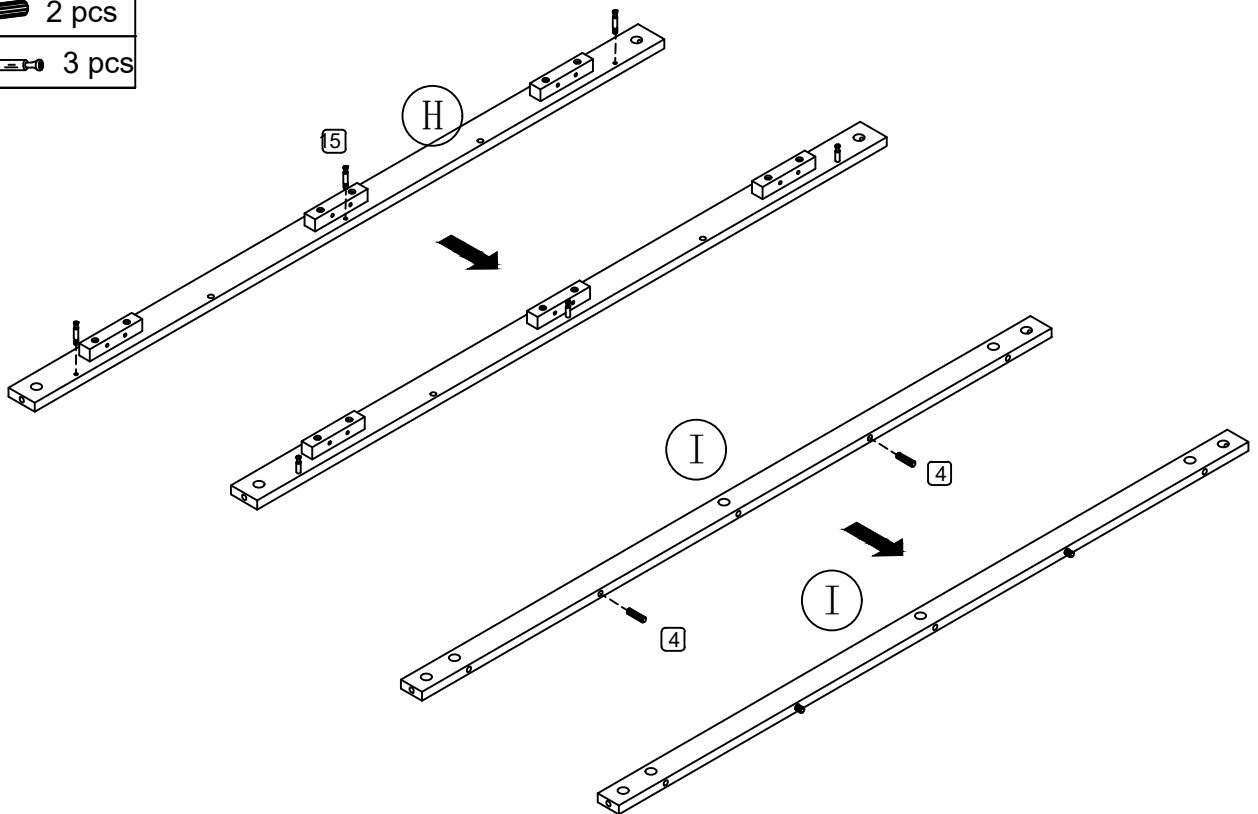
4:  10 pcs






### Step 5

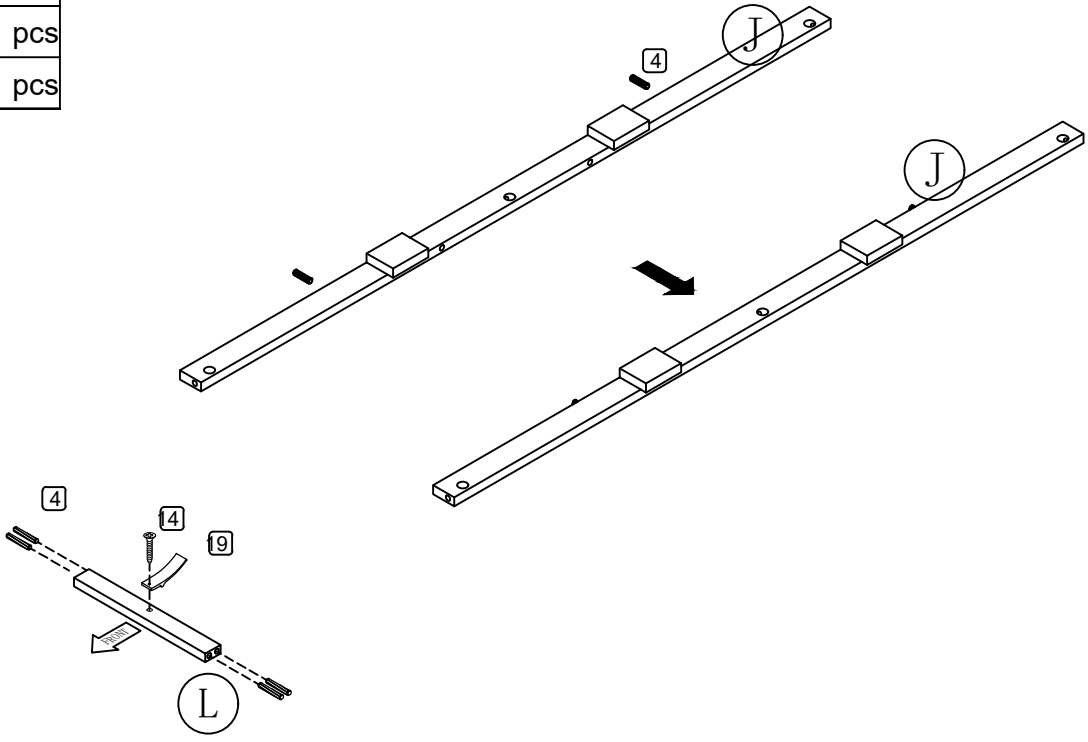
4:  2 pcs

15:  3 pcs


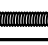

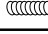


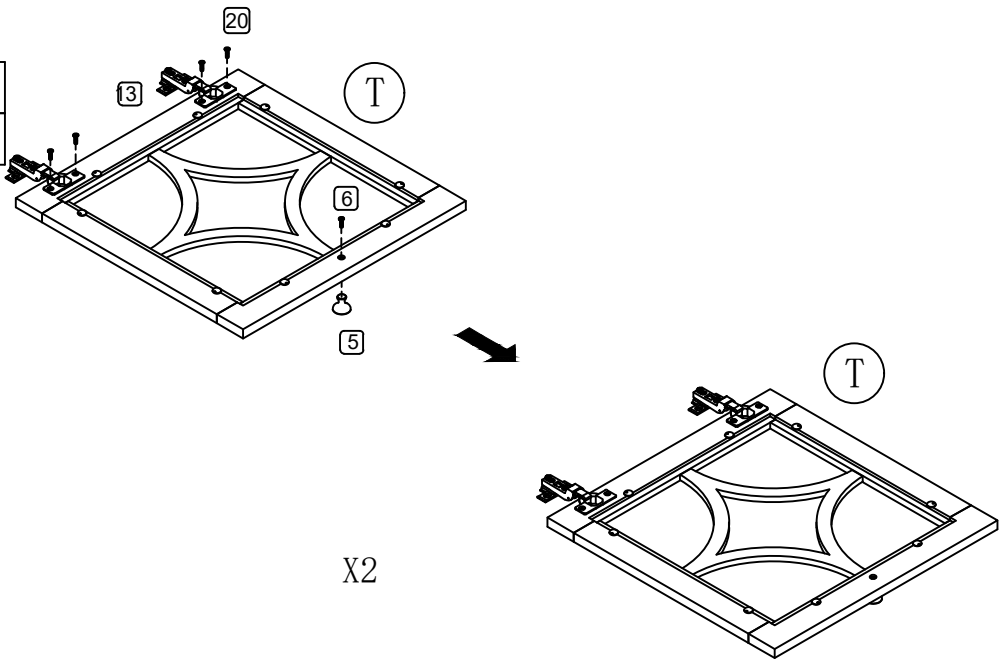
### Step 6

- 4:  6 pcs
- 14:  1 pcs
- 19:  1 pcs



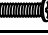





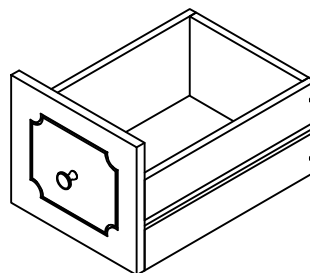
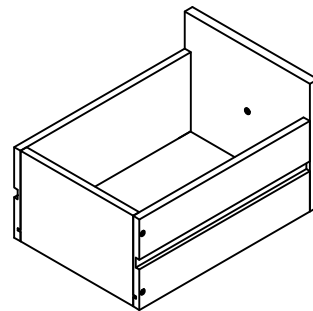
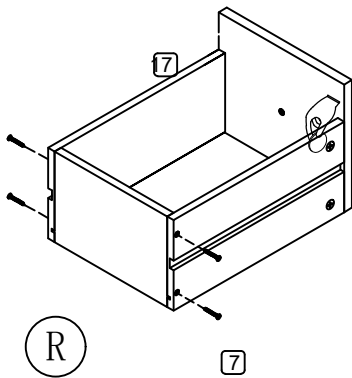
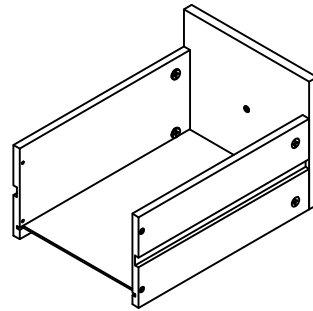
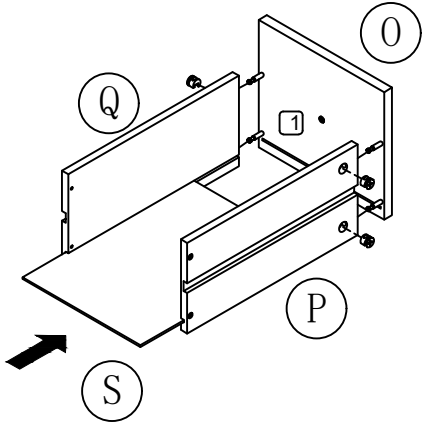
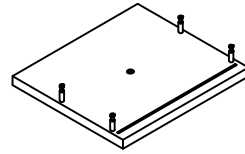
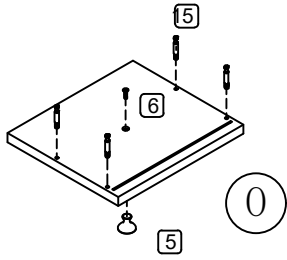
### Step 7

- 5:  2 pcs
- 6:  2 pcs
- 13:  4 pcs
- 20:  8 pcs



# Step 8

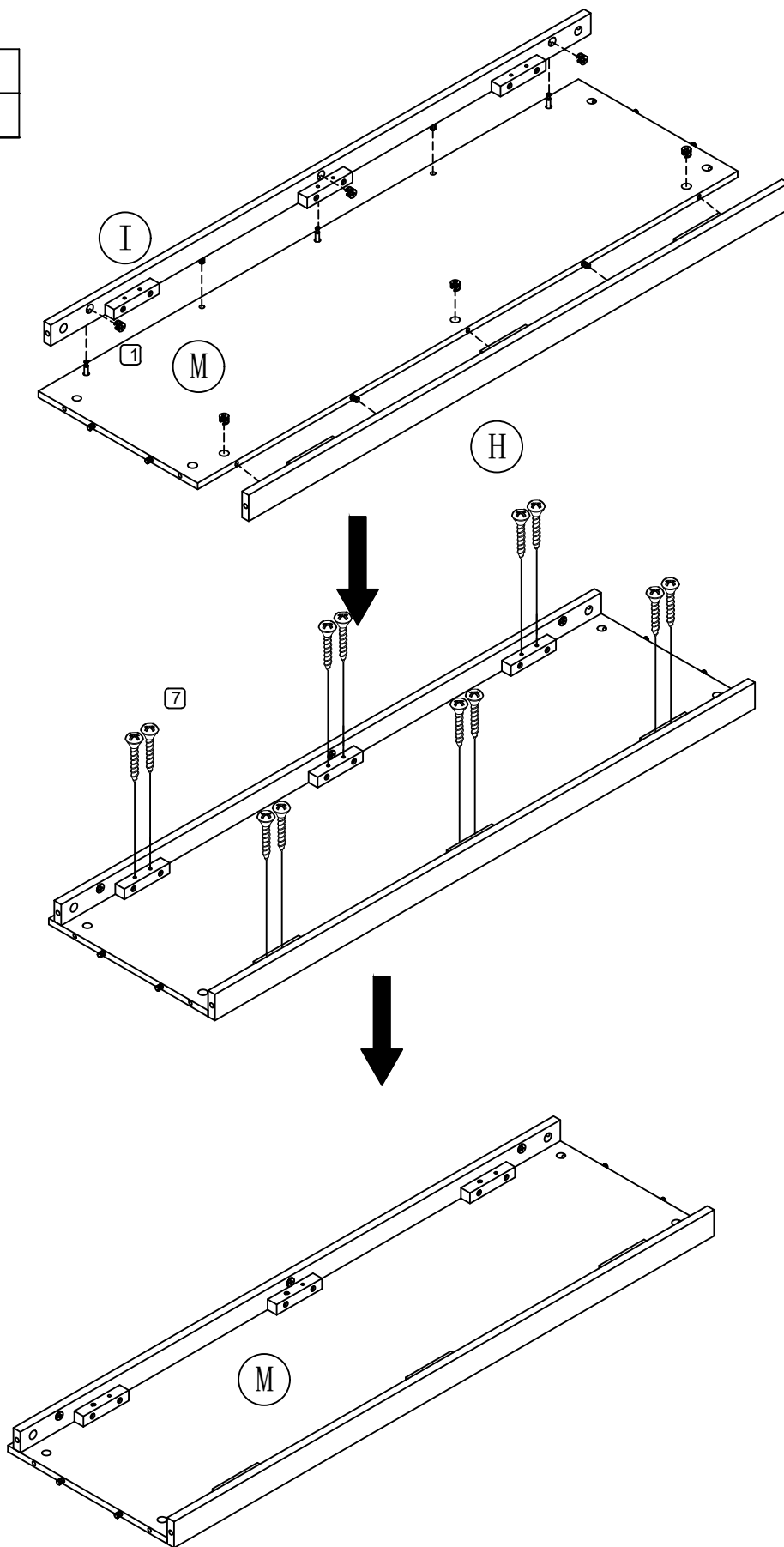
- 1:  8 pcs
- 5:  2 pcs
- 6:  2 pcs
- 7:  8 pcs
- 15:  8 pcs
- 17:  8 pcs



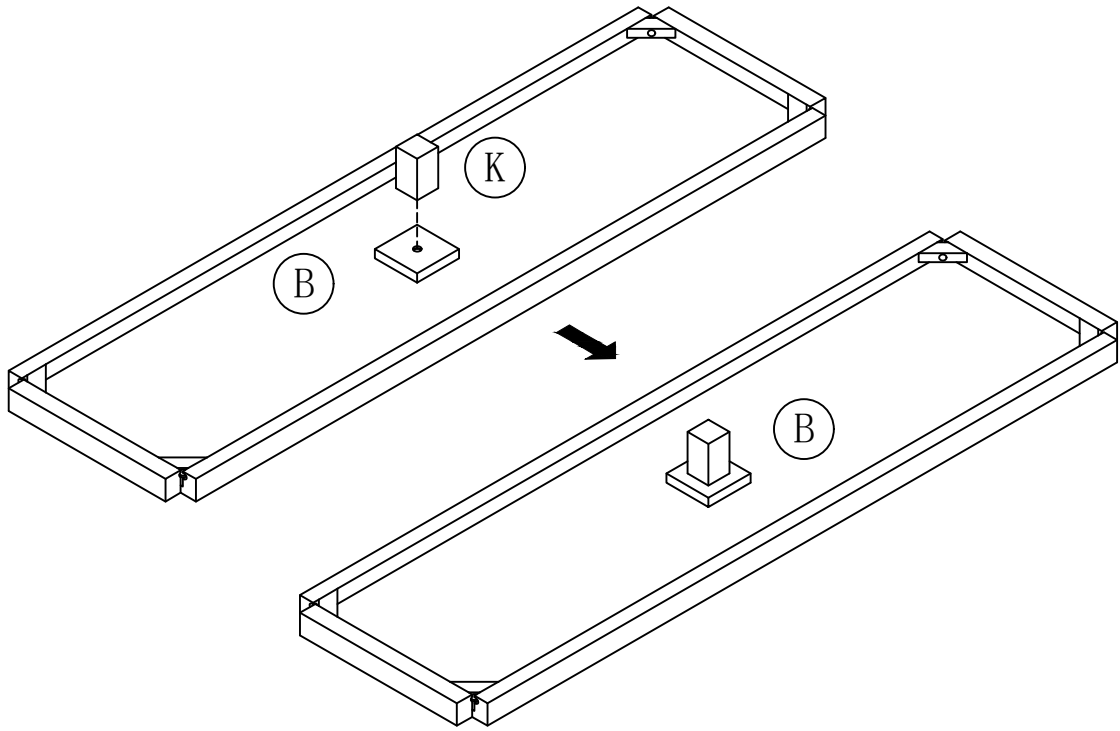
X2

# Step9

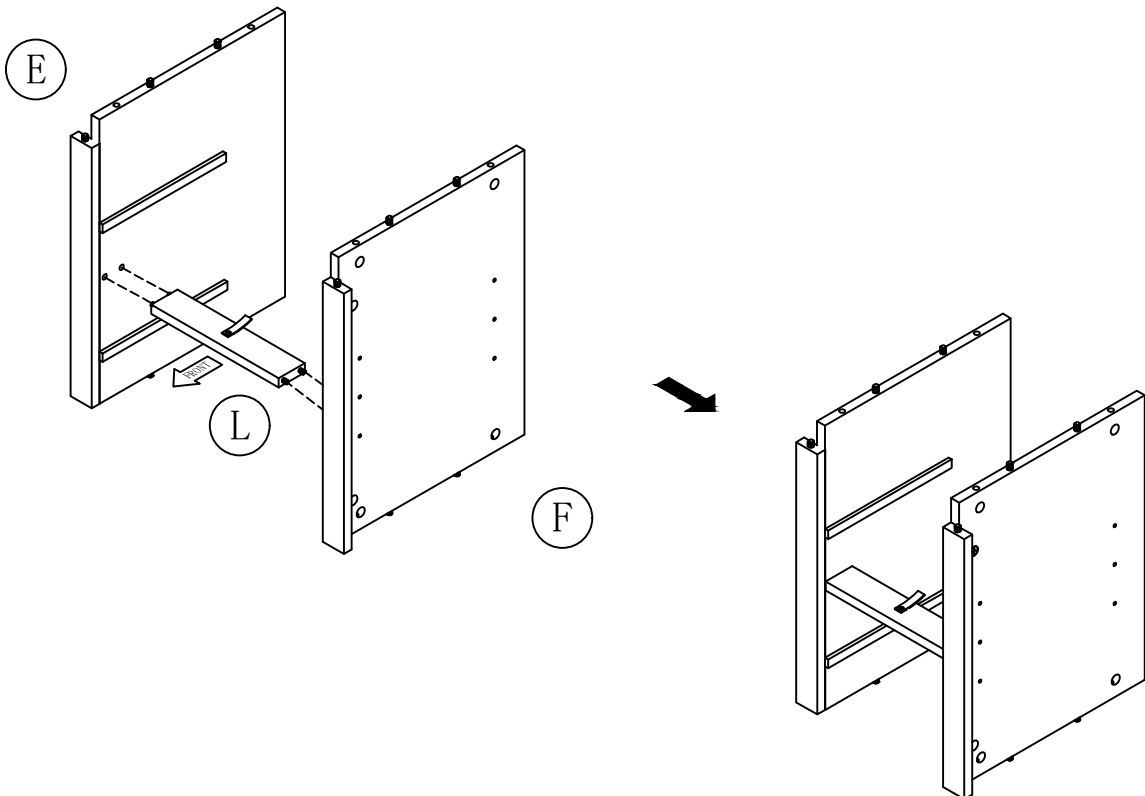
- 1:  6 pcs
- 7:  12 pcs



Step 10

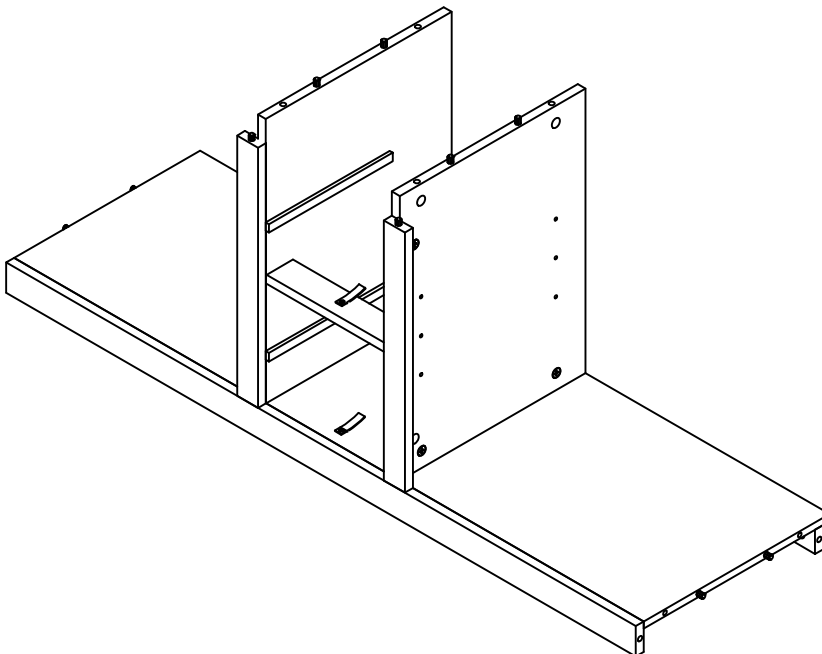
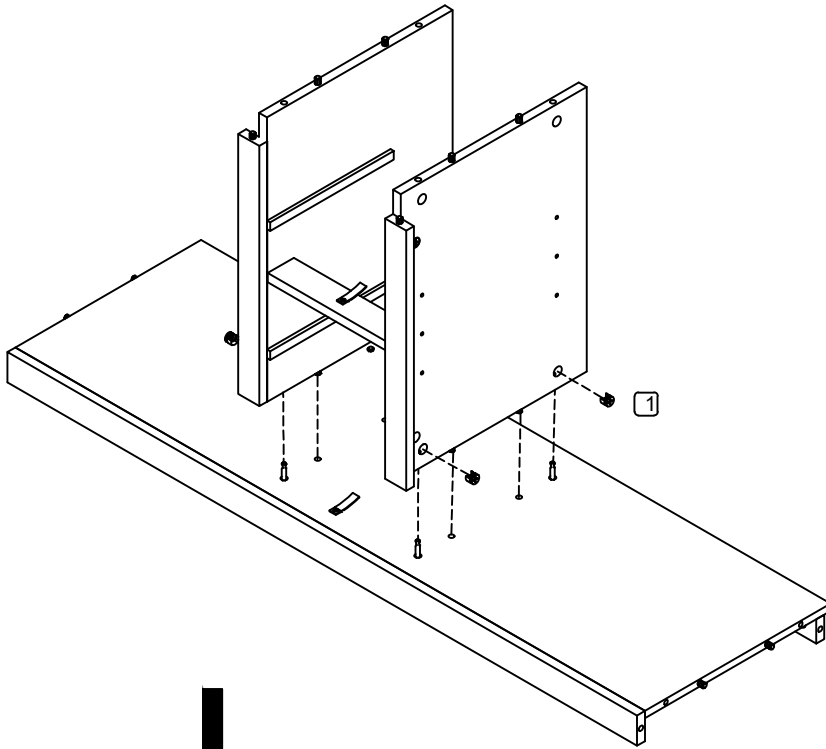


Step 11

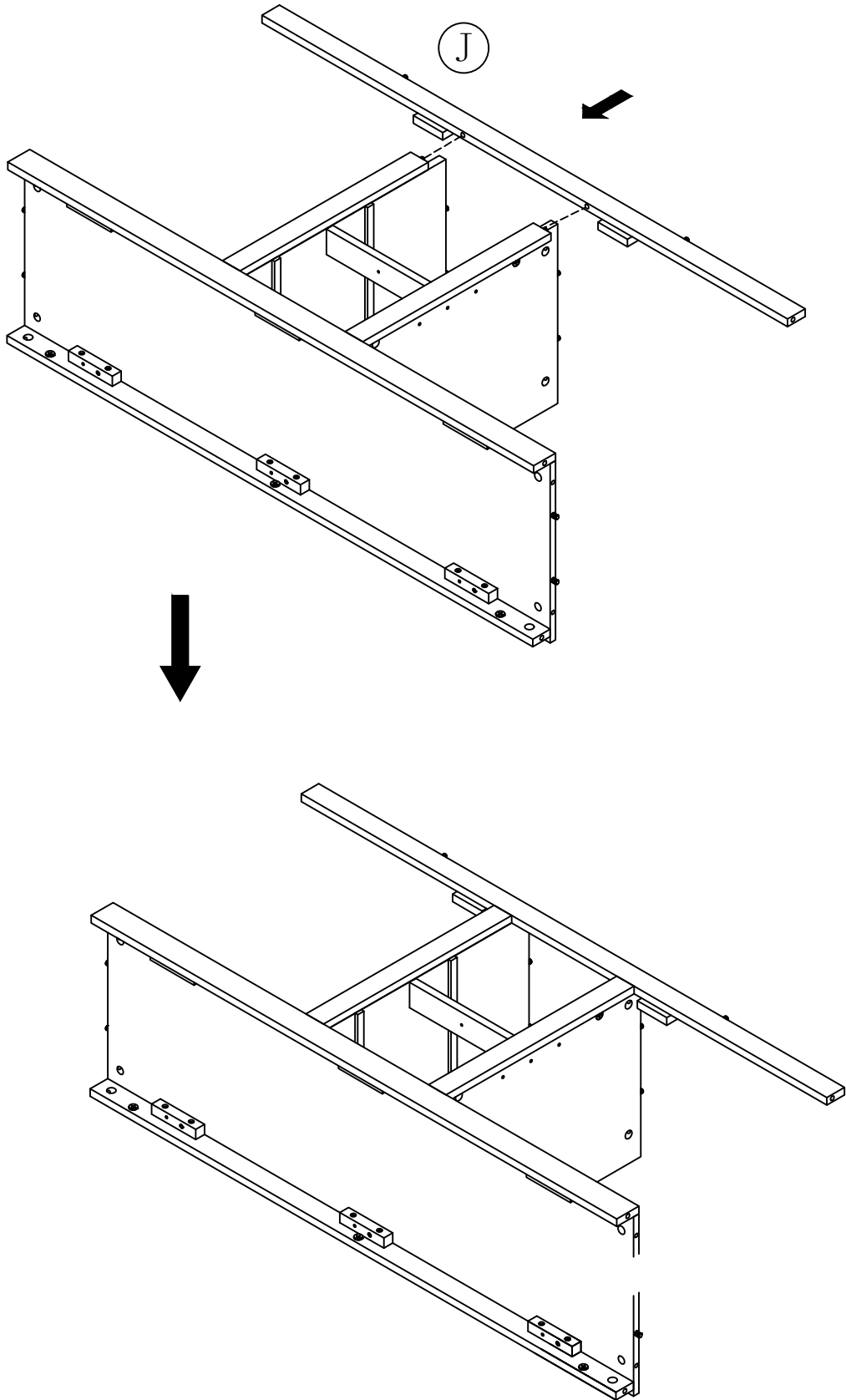


## Step 12

1:  4 pcs

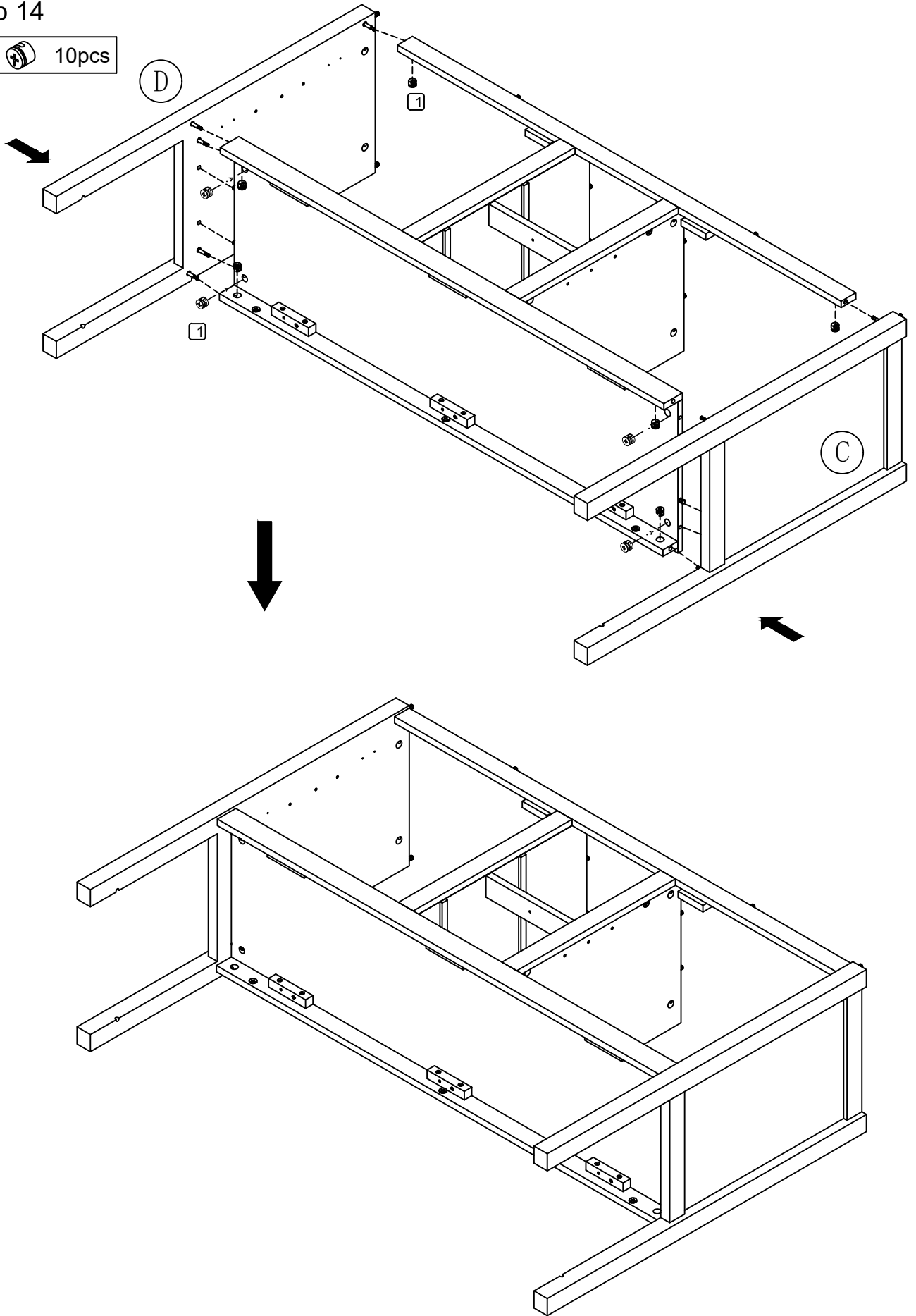


Step 13




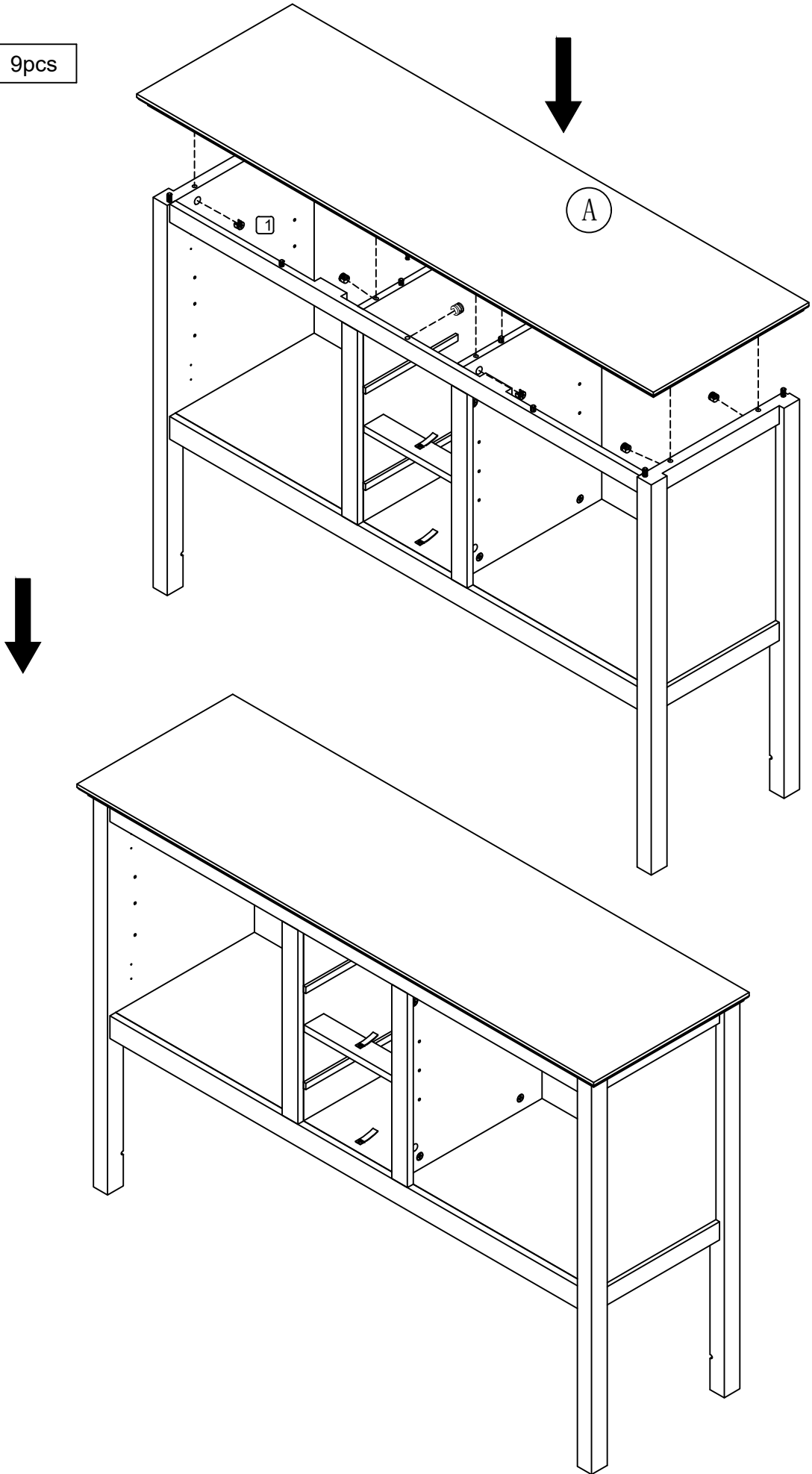
Step 14

1:  10pcs







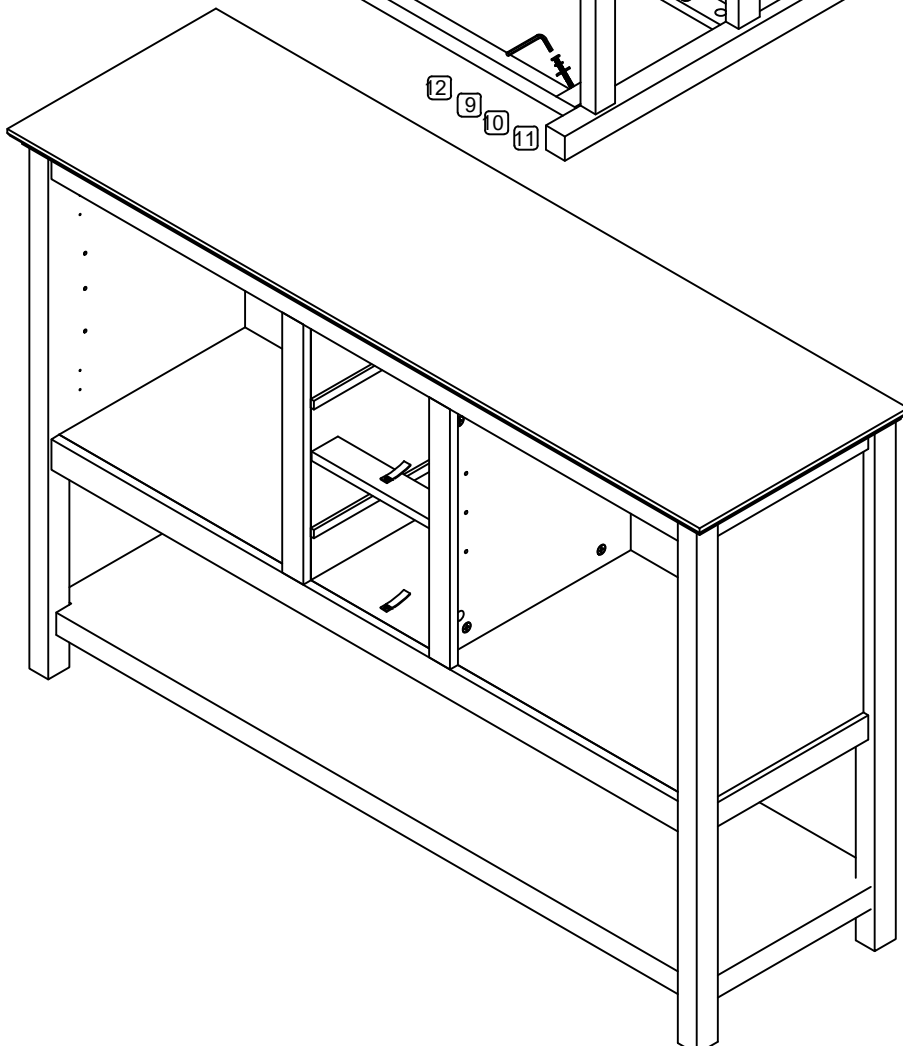
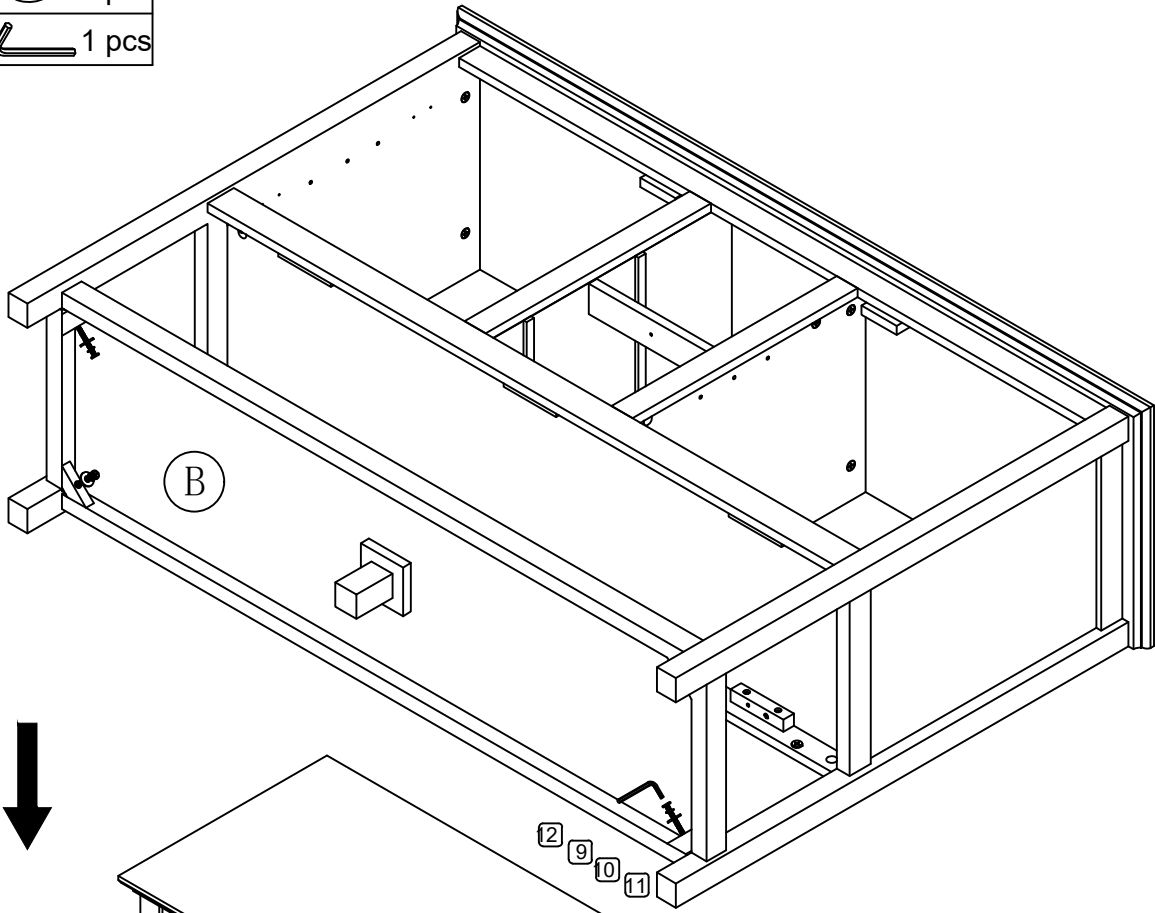
Step 15

1:  9pcs




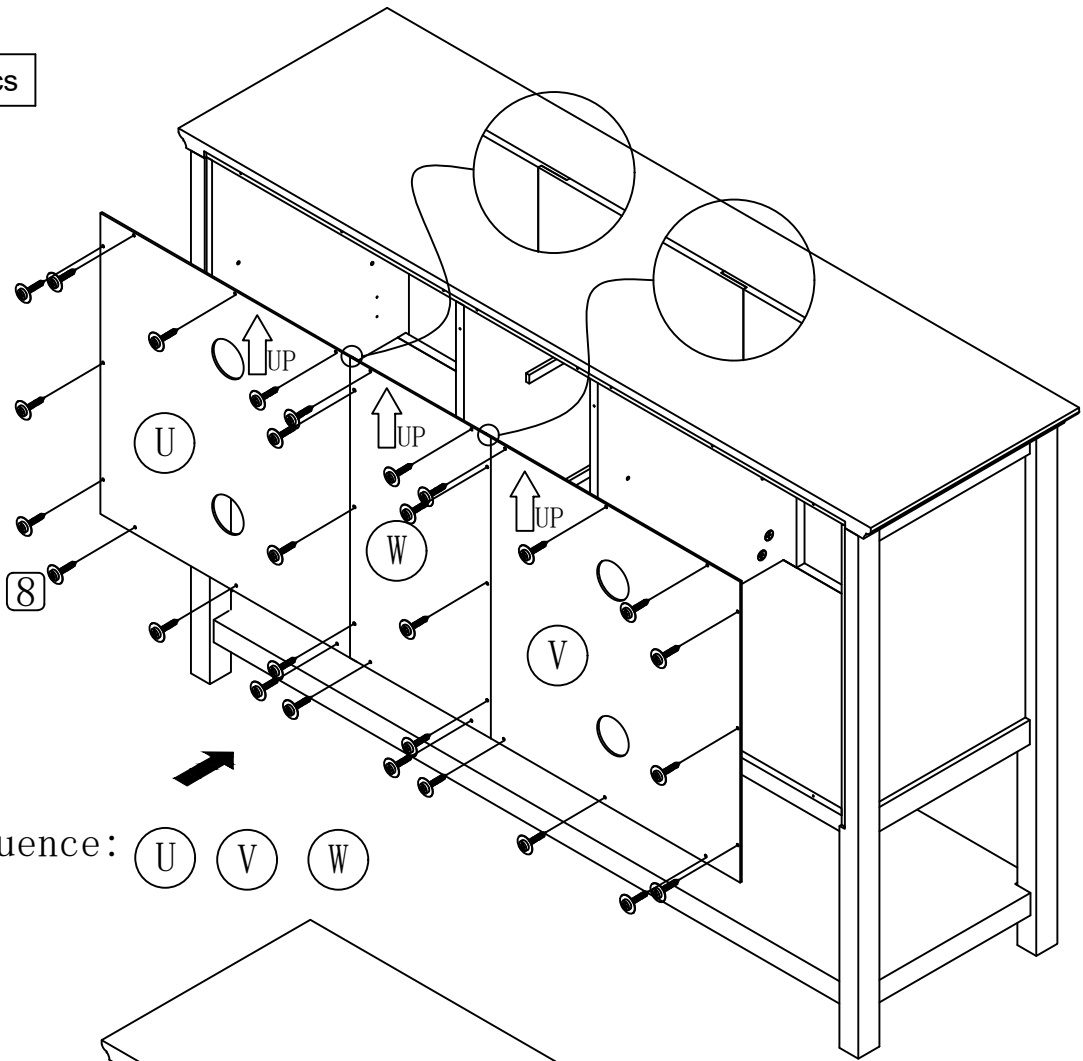
# Step 16

- 9:  4 pcs
- 10:  4 pcs
- 11:  4 pcs
- 12:  1 pcs

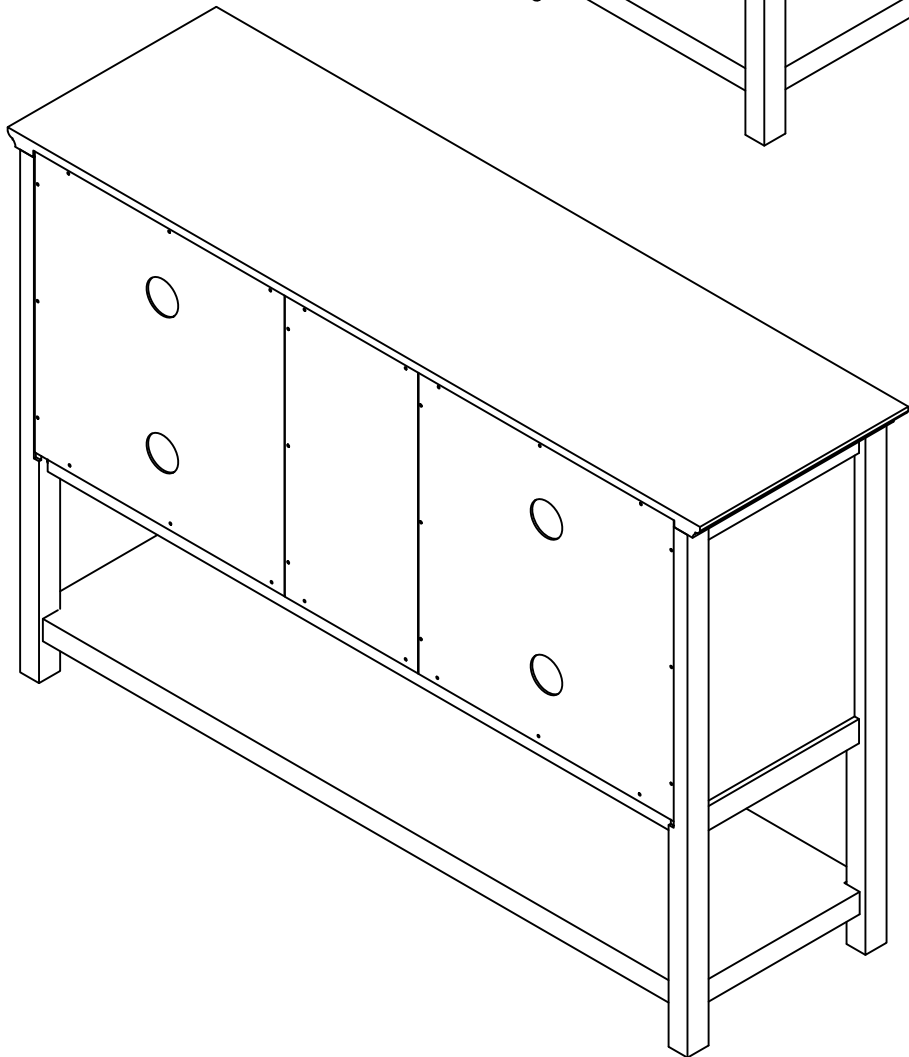


# Step 17

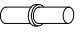
8:  28 pcs




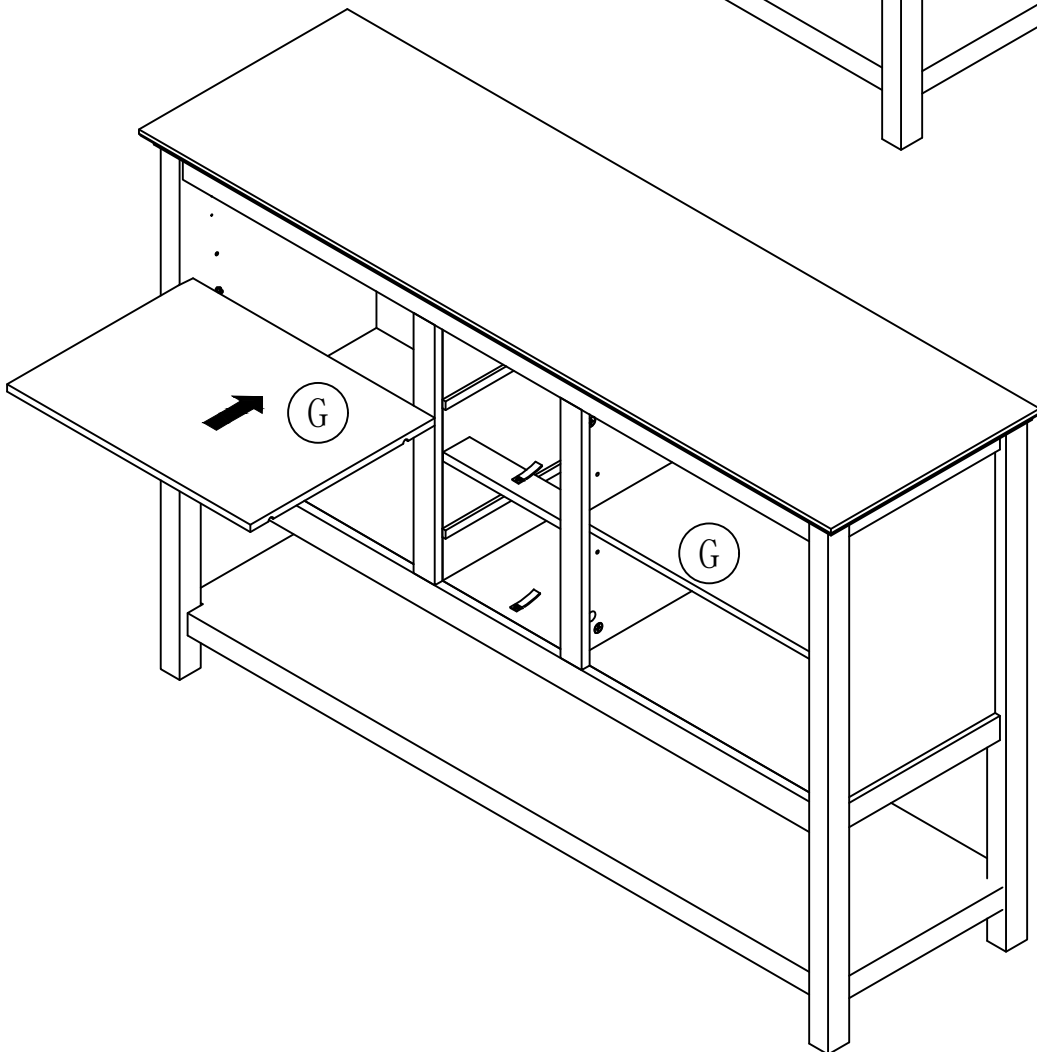
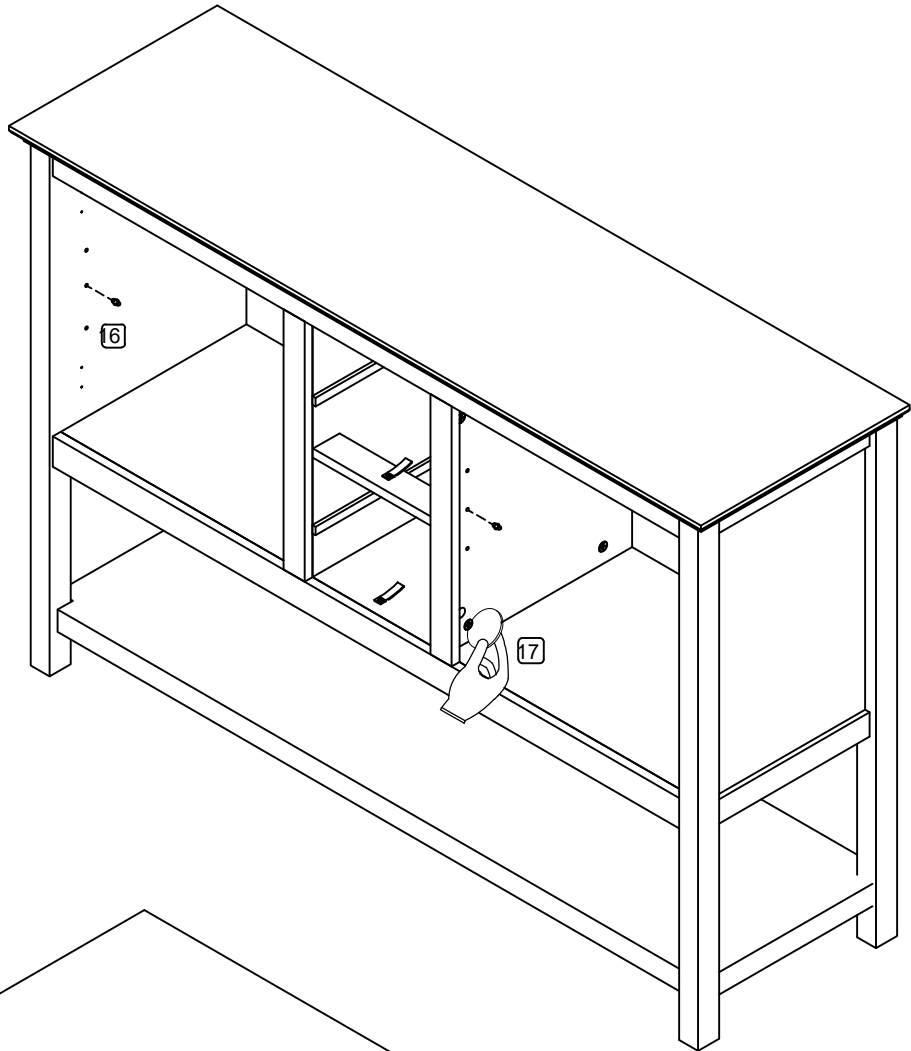
Sequence:   



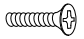
# Step 18

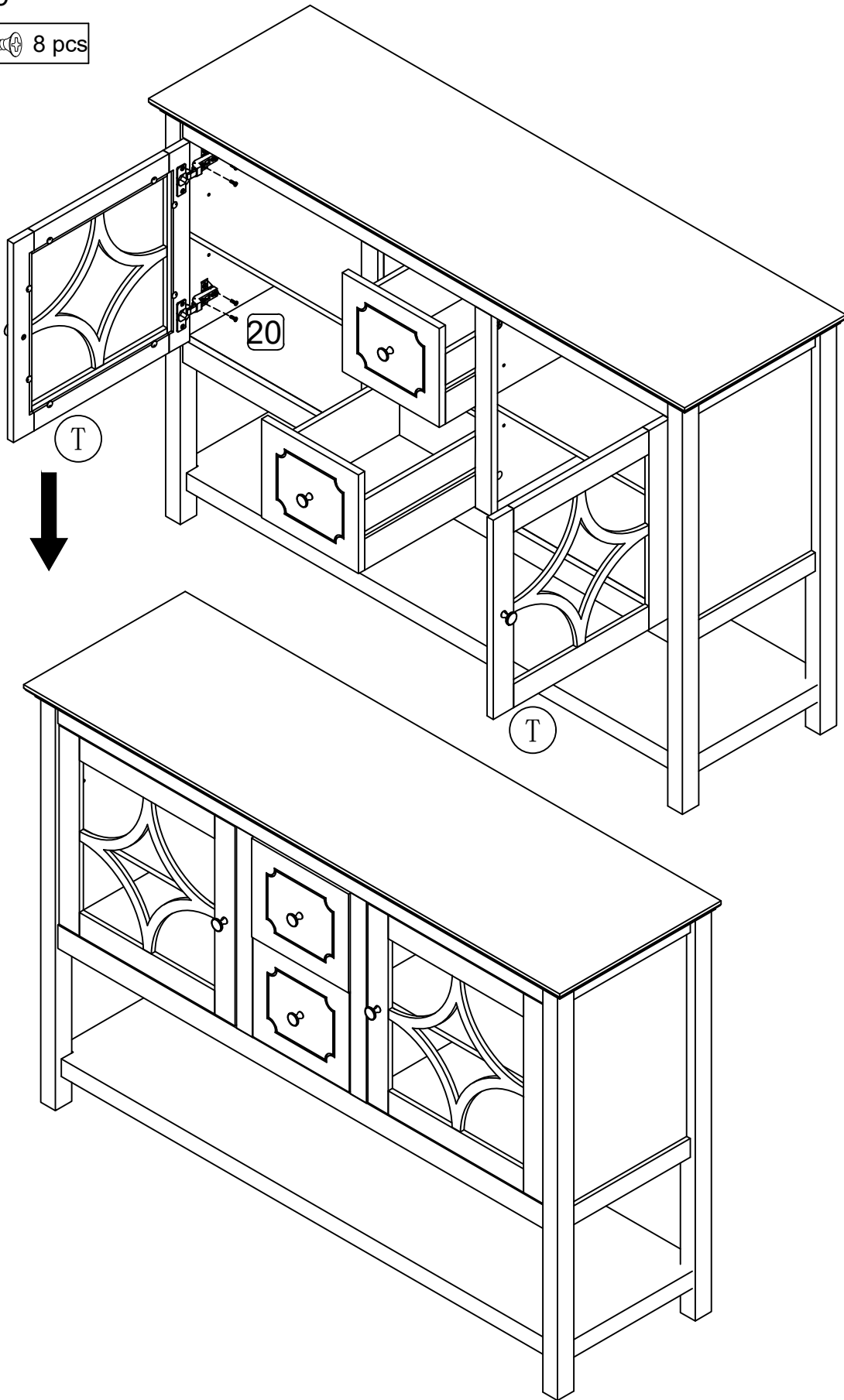
16:  8pcs

17:  12pcs



Step 19

20:  8 pcs



Final Assembly