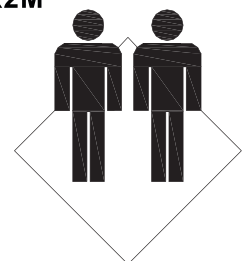


## **USER'S MANUAL** **3-Piece Sectional Sofa Set**

THIS INSTRUCTION BOOKLET CONTAINS **IMPORTANT** SAFETY INFORMATION. PLEASE READ AND KEEP FOR FUTURE REFERENCE.

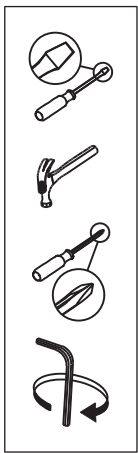
**FLOOR AREA  
2MX2M**



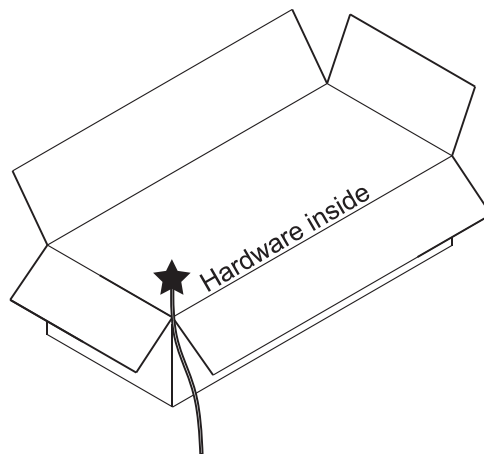
**ASSEMBLED BY 2 ADULTS**

---


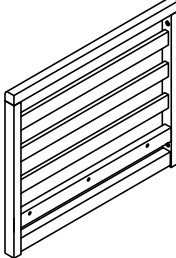
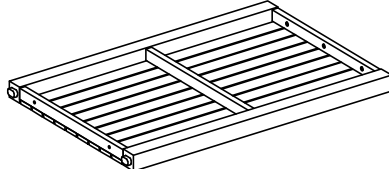



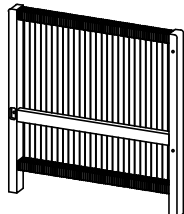
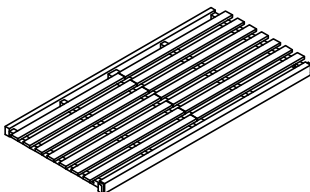
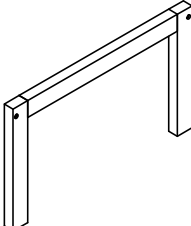
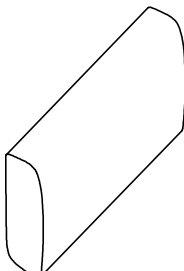
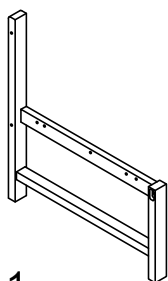
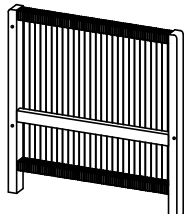
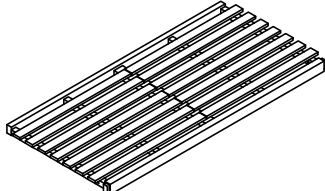
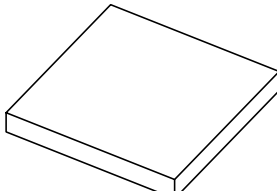
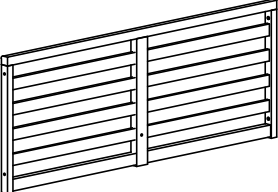

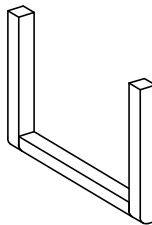
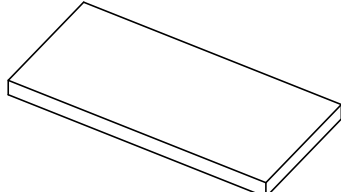
# Before You Start

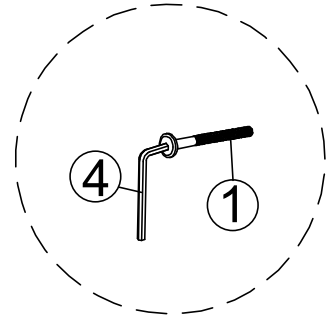
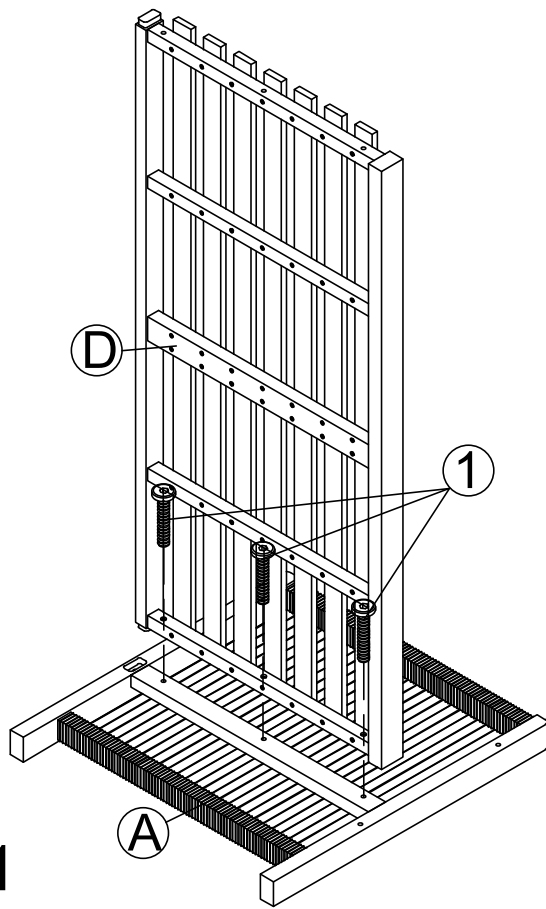


- ⚠ Read each step carefully before starting. It is very important to ensure each step followed in correct order, otherwise assembly difficulties may occur.
- ⚠ Most of board parts are labeled or stamped on the raw edges. Have a check to make sure all parts are included.
- ⚠ Work in a spacious area, preferably on a carpet close to where the unit will be used.
- ⚠ Keep the handtools close at hand. Do not use power tools to assemble your furniture. They may scratch or damage the parts.

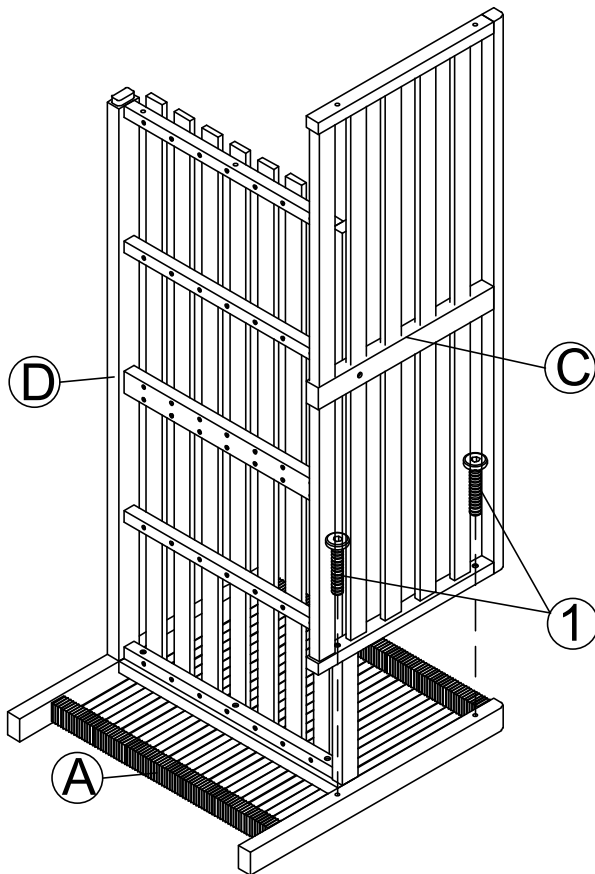


# ASSEMBLY INSTRUCTION

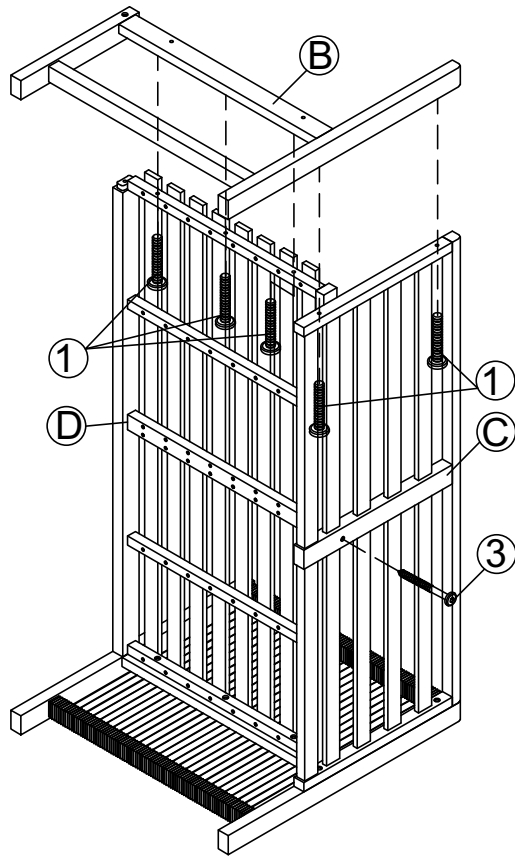
No	Hardware	Fig	Q.ty		
①	Bolt M6 x 40mm		26	 ⑥x 1	 ⑦x 1
②	Screw M7 x 90mm		5		
③	Screw M7 x 70mm		2		
④	Allen Key M4 x 80mm		2		
 ⑧x 1		 ⑨x 1		 ⑩x 1	 ⑪x 3
 ⑫x 1		 ⑬x 1		 ⑭x 1	 ⑮x 2
 ⑯x 1		 ⑰x 1		 ⑱x 2	 ⑲x 1



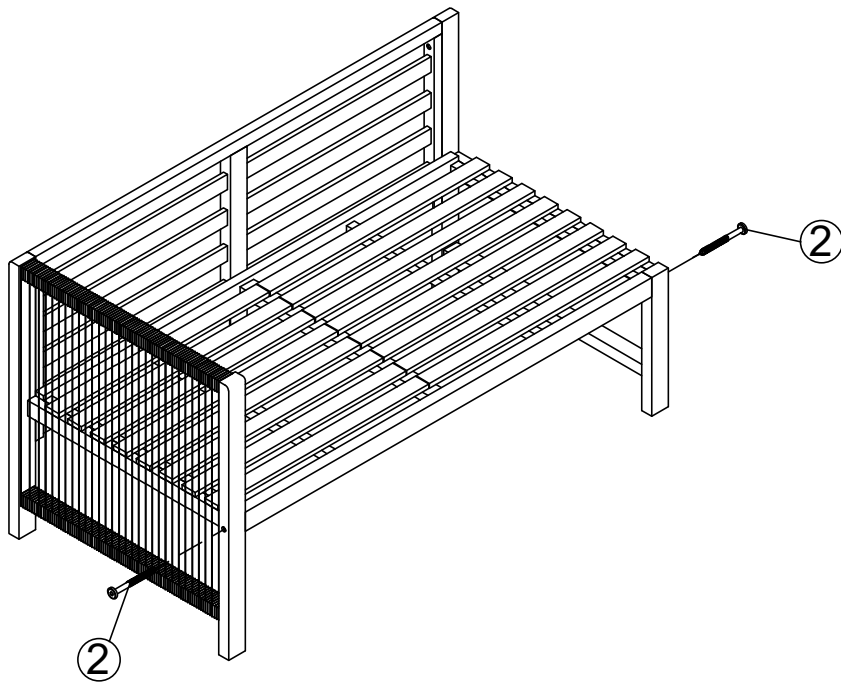
STEP 1



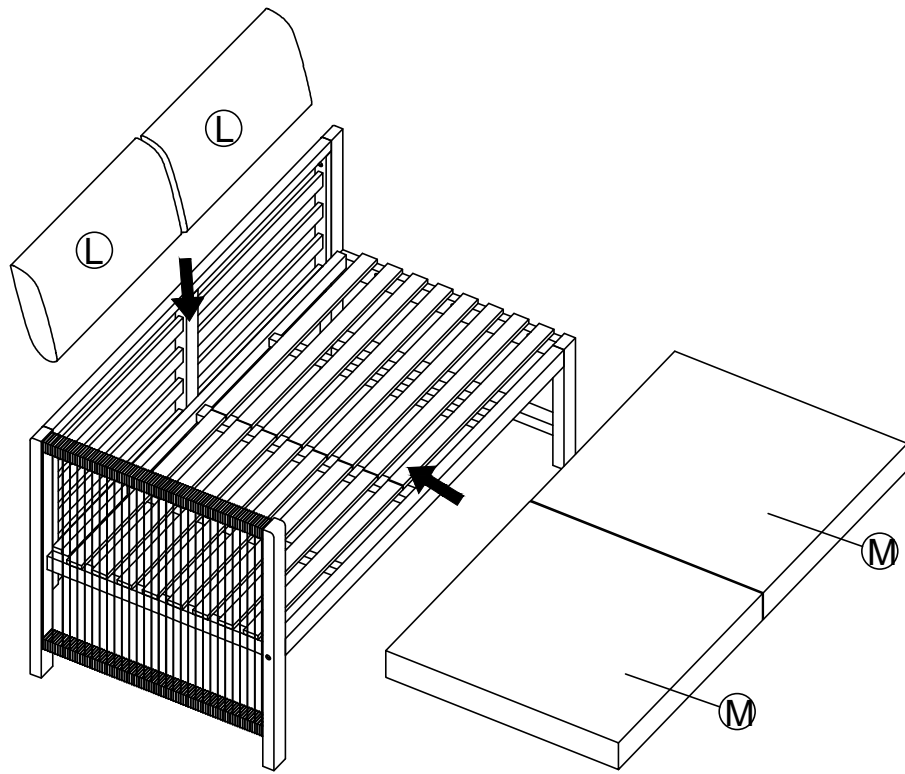
STEP 2



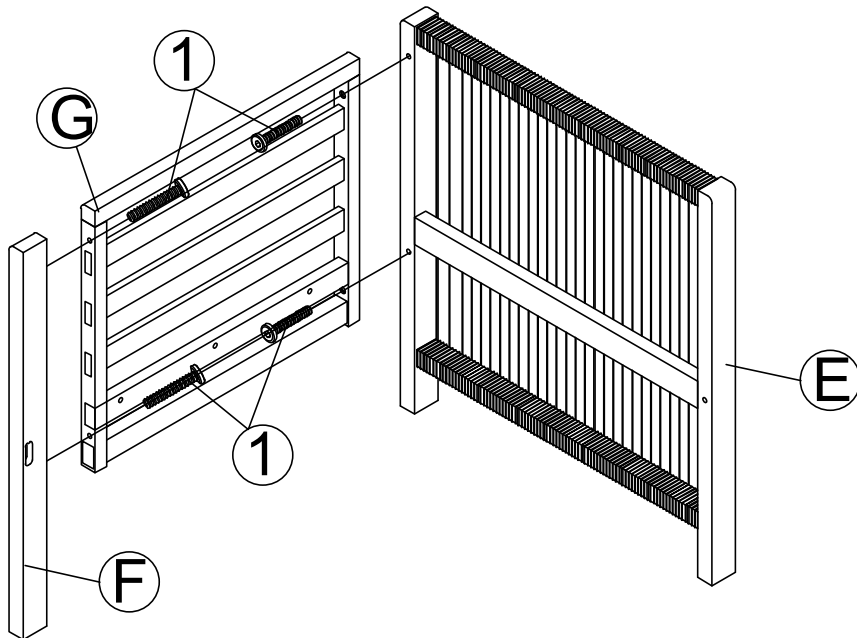
STEP 3



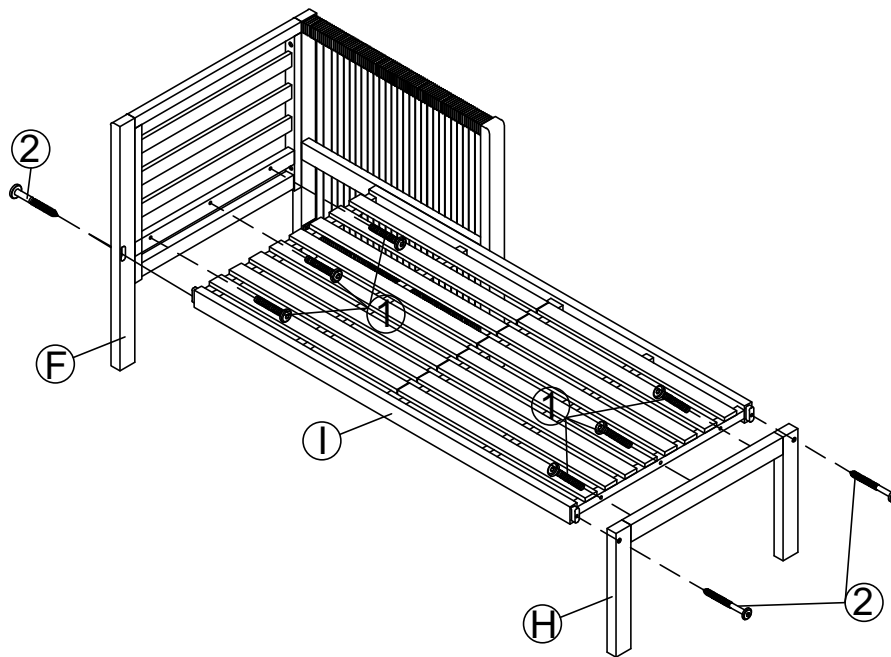
STEP 4



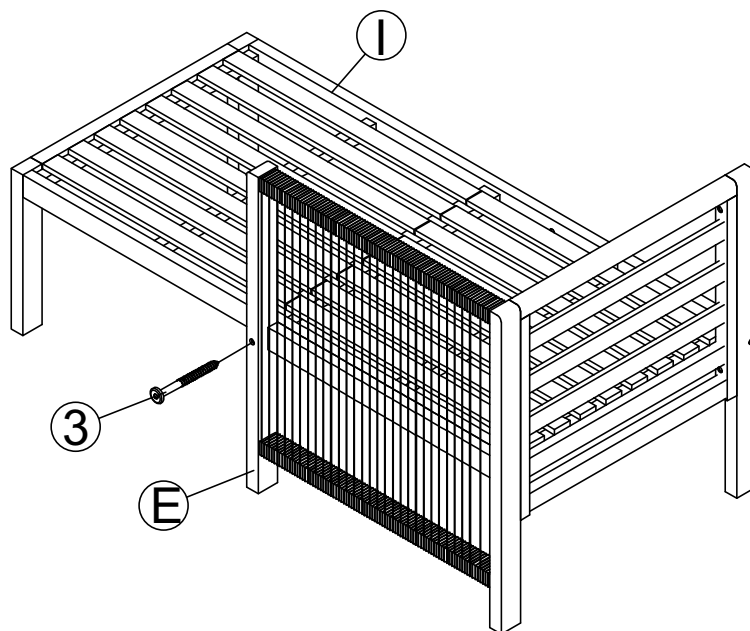
STEP 5



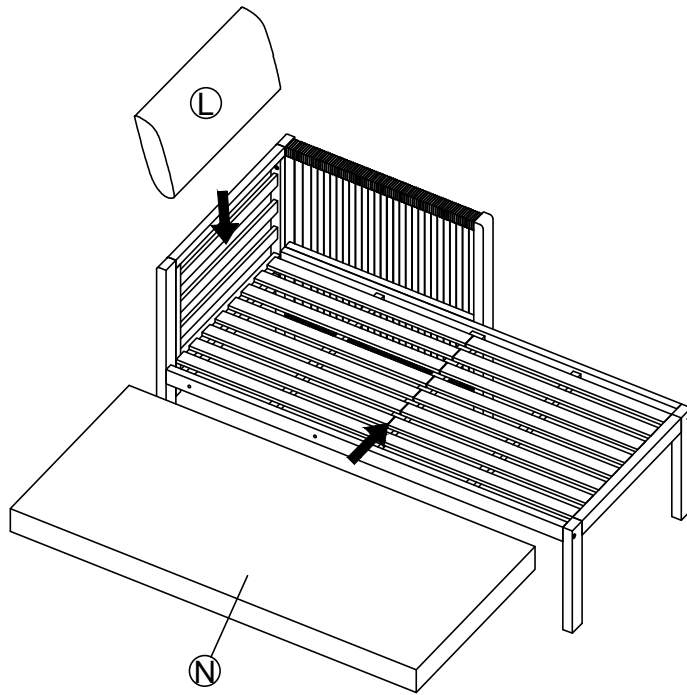
STEP 6



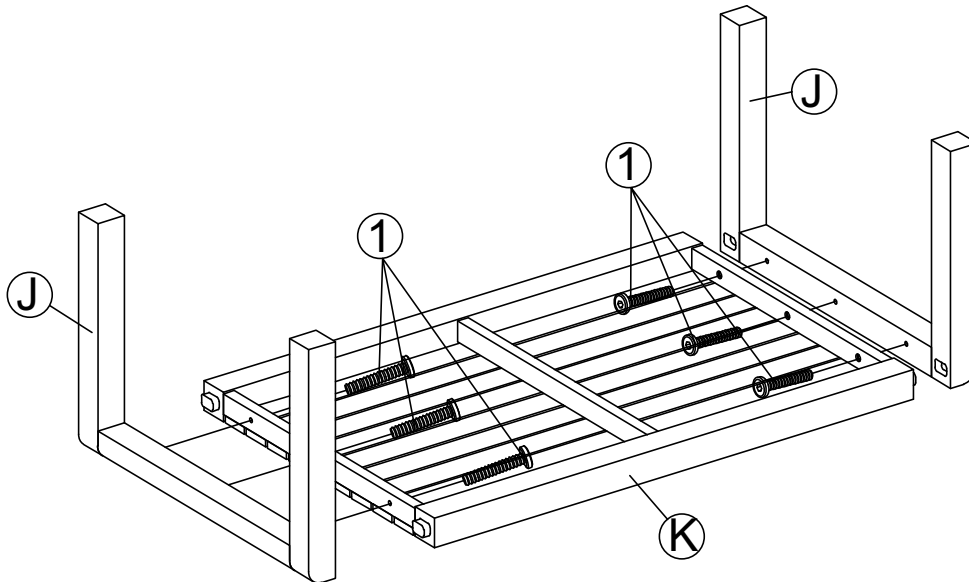
**STEP 7**



**STEP 8**



STEP 9



STEP 10

---

## Care and Maintenance

Use a soft, clean cloth that will not scratch the surface when dusting.

Use of furniture polish is not necessary.

Should you choose to use polish, test first in an inconspicuous area.

Using solvents of any kind on your furniture may damage the finish.

Liquid spills should be removed immediately. Using a soft clean cloth, blot the spill gently. Avoid rubbing.

Check bolts/screws periodically and tighten them if necessary.

## Further advice about wood furniture care

Please protect your outdoor furniture with a cover when not in use since Long-term sunlight exposure will result in the damage on the surface.

In addition to sunlight damage, wood and metal frame suffers when exposed to extremes in temperature and humidity.

Proper care and cleaning at home will extend the life of your purchase. Following these important and helpful tips will enhance your furniture as it ages.