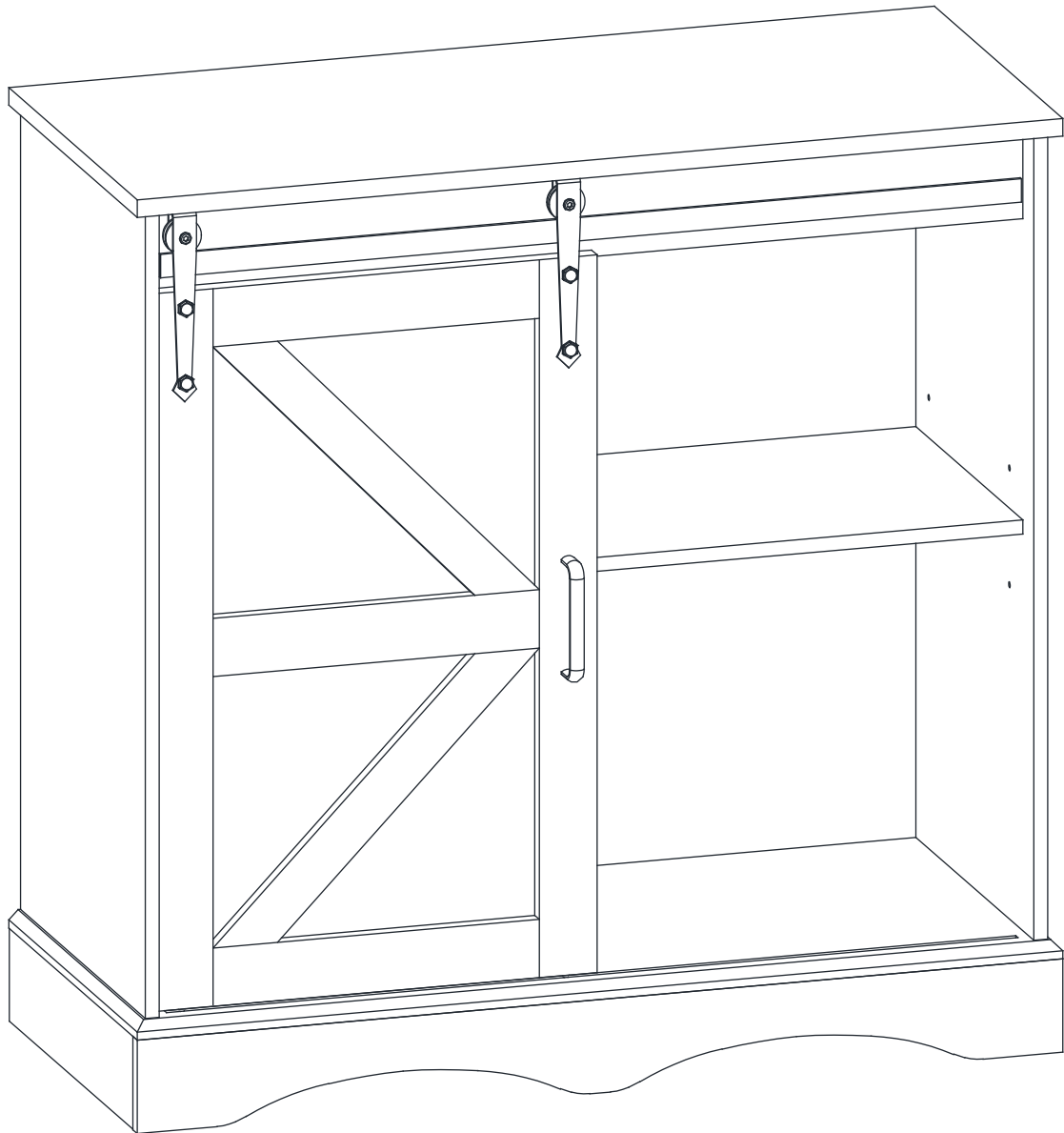
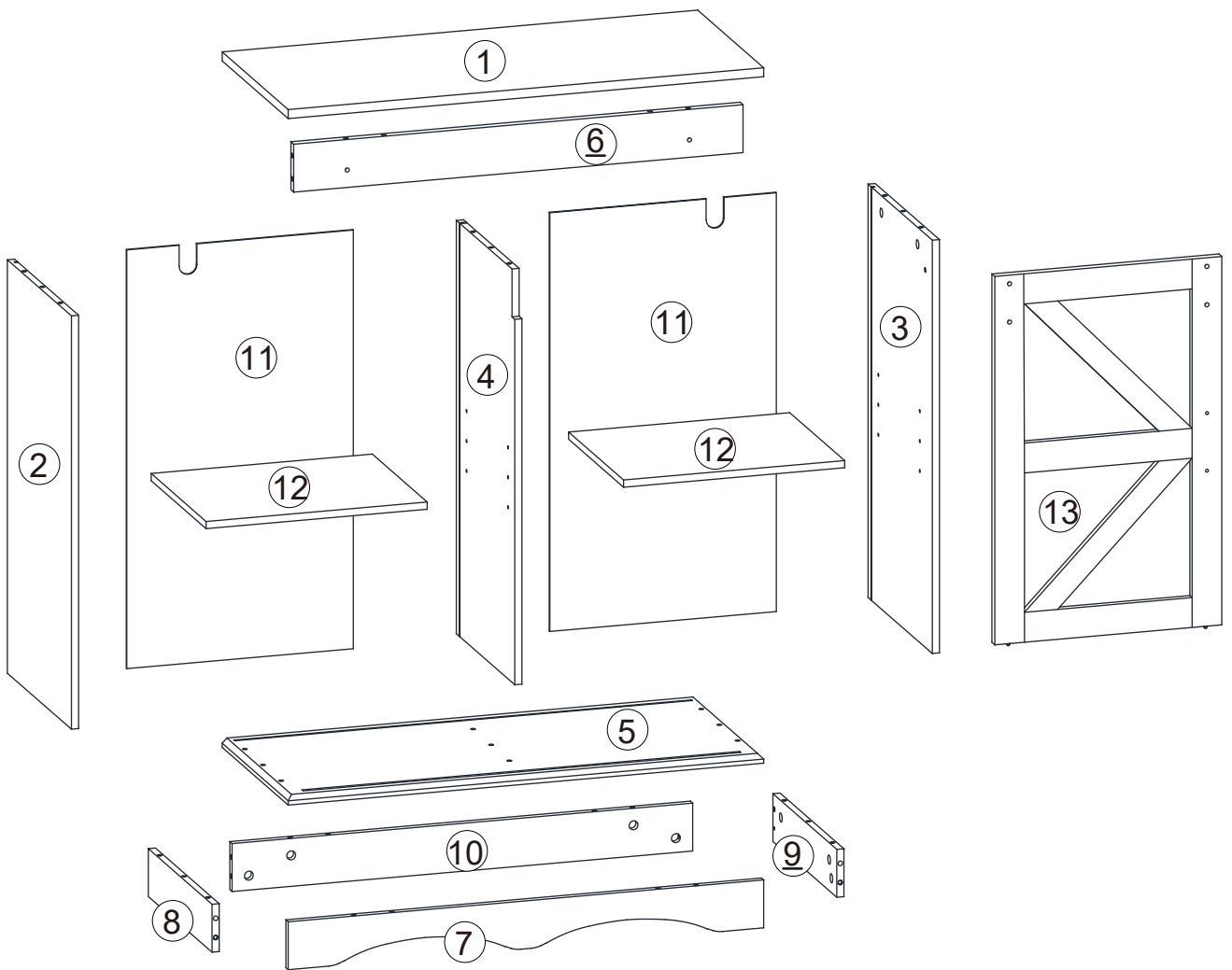


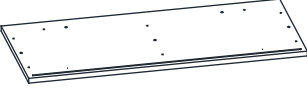
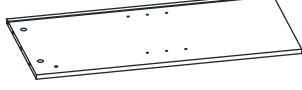
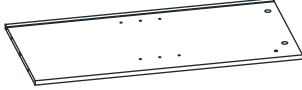
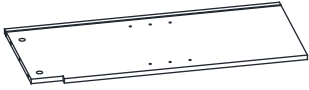
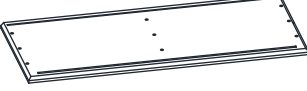







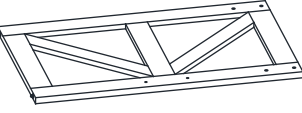
ASSEMBLY INSTRUCTION

DJ0535

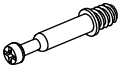


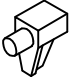

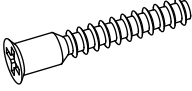
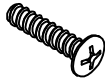
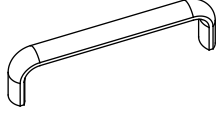

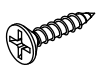
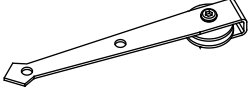
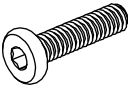
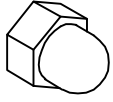
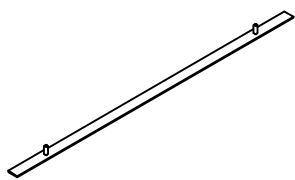
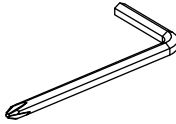
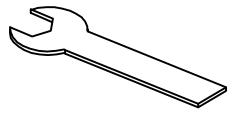
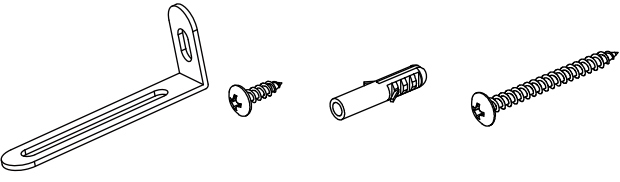




Parts and Operation Elements

 <p>Top board</p>	 <p>Left side panel</p>	 <p>Right side panel</p>	 <p>Intermediate partition</p>
<p>① 1pc</p>	<p>② 1pc</p>	<p>③ 1pc</p>	<p>④ 1pc</p>
 <p>Bottom layer board</p>	 <p>Top support bar</p>	 <p>Bottom front bar</p>	 <p>Bottom left panel</p>
<p>⑤ 1pc</p>	<p>⑥ 1pc</p>	<p>⑦ 1pc</p>	<p>⑧ 1pc</p>
 <p>Bottom right panel</p>	 <p>Bottom rear panel</p>	 <p>Rear Panel</p>	 <p>Movable Shelf</p>
<p>⑨ 1pc</p>	<p>⑩ 1pc</p>	<p>⑪ 2pcs</p>	<p>⑫ 2pcs</p>
 <p>Door</p>			
<p>⑬ 1pc</p>			

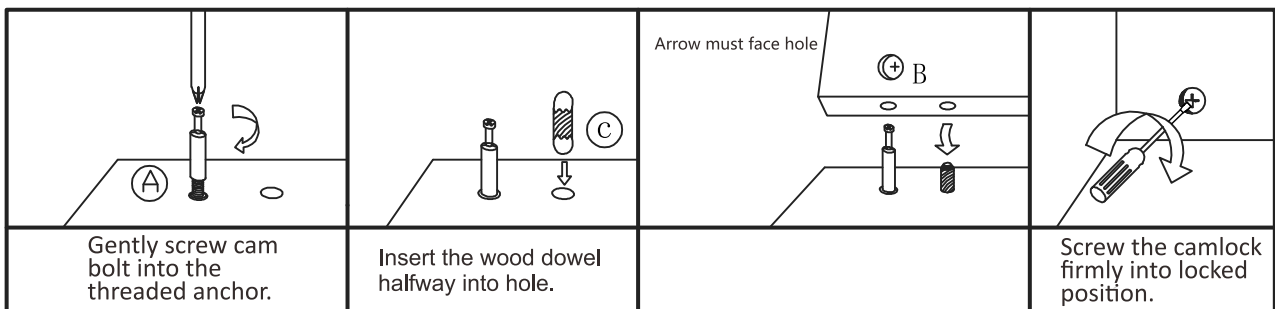
Hardware

			
A Cam bolt 22+2pcs	B Cam Lock 22+2pcs	C Wood dowel 20+2pcs	D Laminate nails 8+2pcs
			
E φ20mm Hole sticker 22+2pcs	F 5x40mm screw 6pcs	G 4X18mm Screw 2pcs	H Handle 1pc
			
J Backboard buckle 8+2pcs	K 3x14mm Screw 8+2pcs	L Pulley 2pcs	M 6X22mm Screw 6pcs
			
N Nut 4pcs	P Pulley Track 1pc	Q Dual-purpose screwdriver 1pc	R Open End Wrench 1pc
			
S	2set		

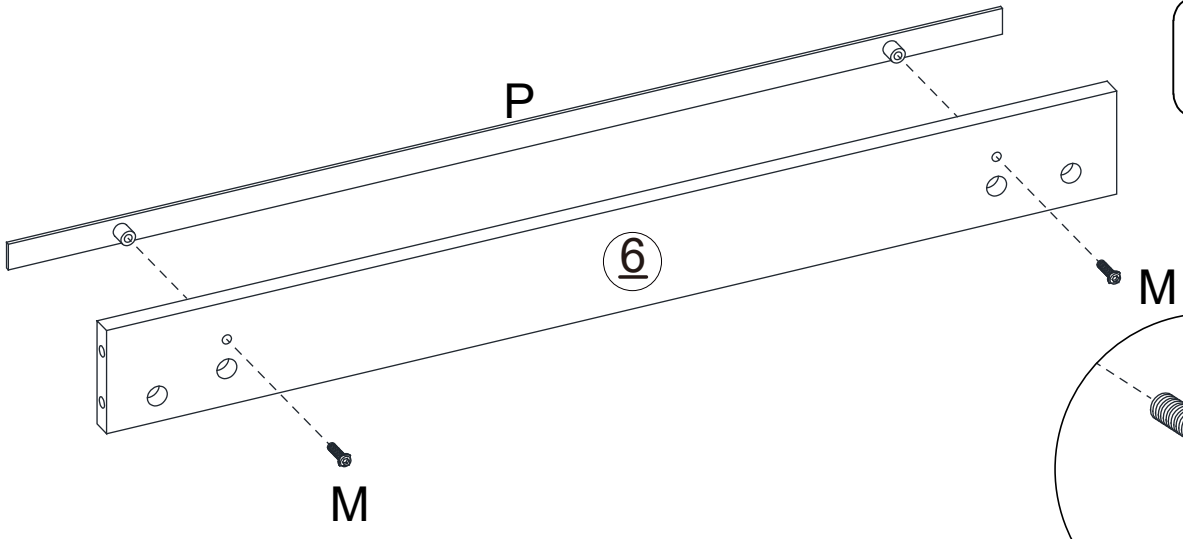
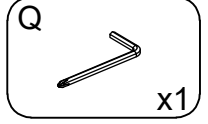
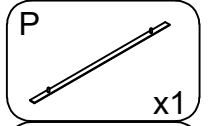
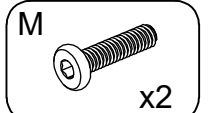


SPARE BAG

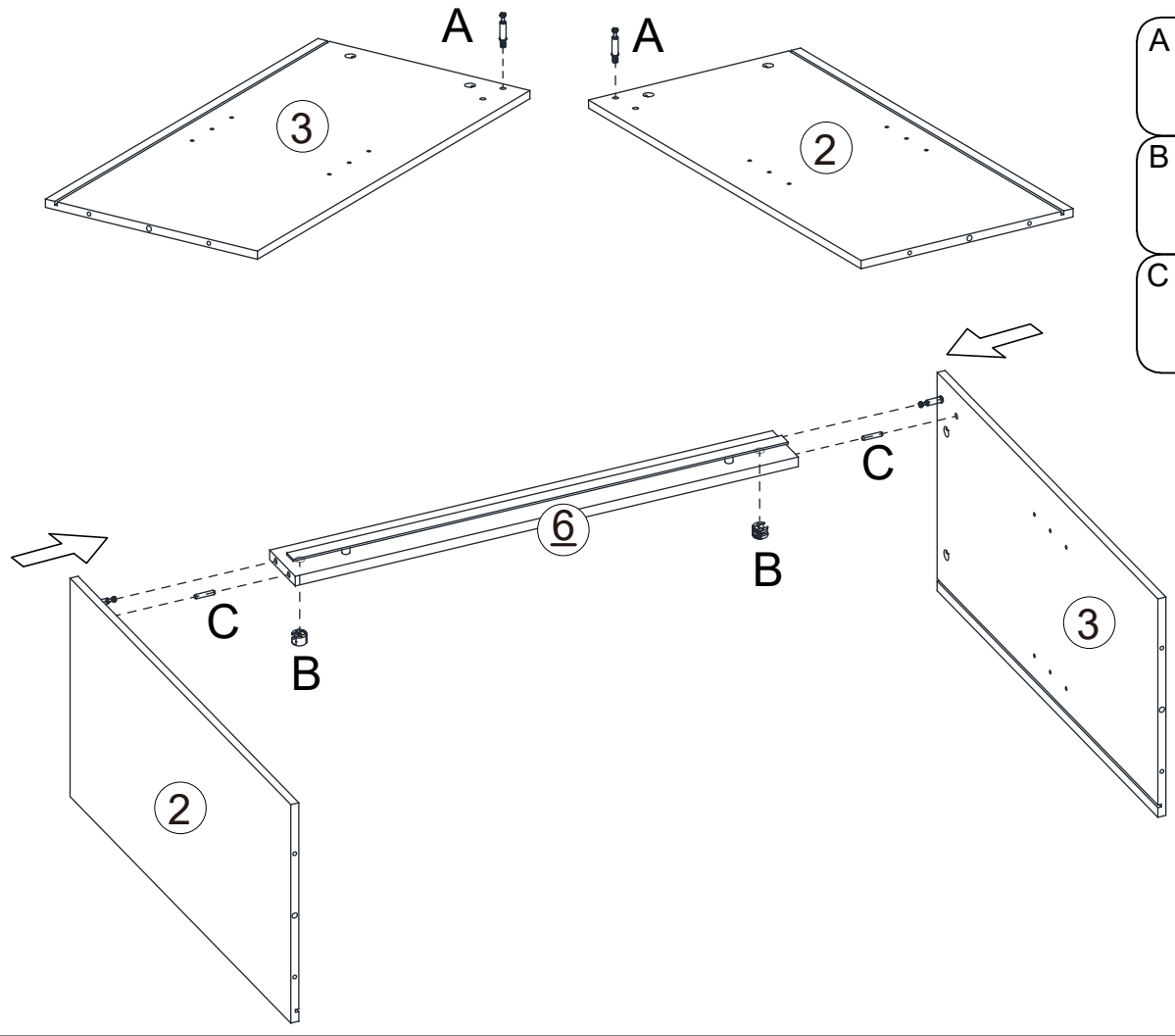
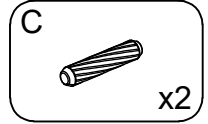
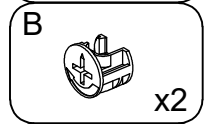
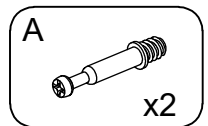
THE SPARE BAG INCLUDED EXTRA HARDWARE FOR DAMAGED OR MISSING SMALL HARDWARE WHILE YOU ARE ASSEMBLING.



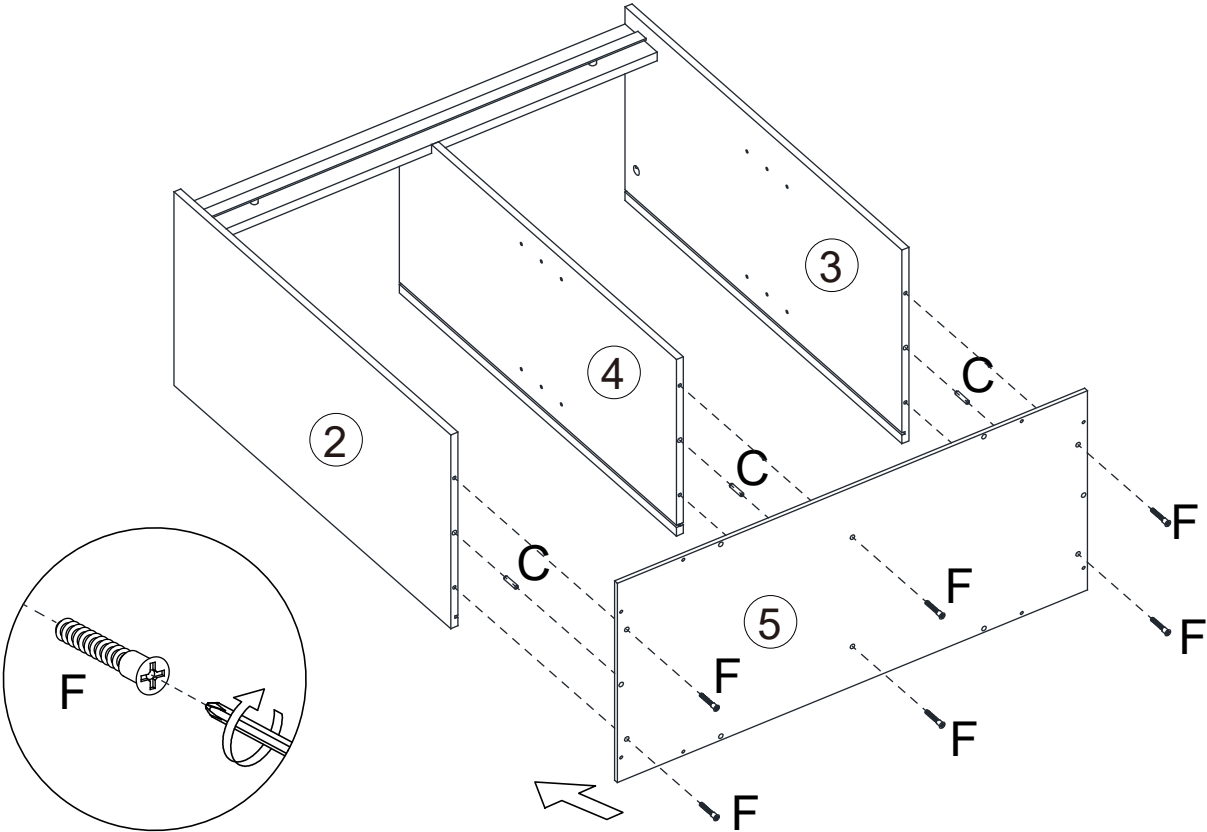
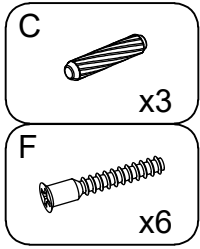
1



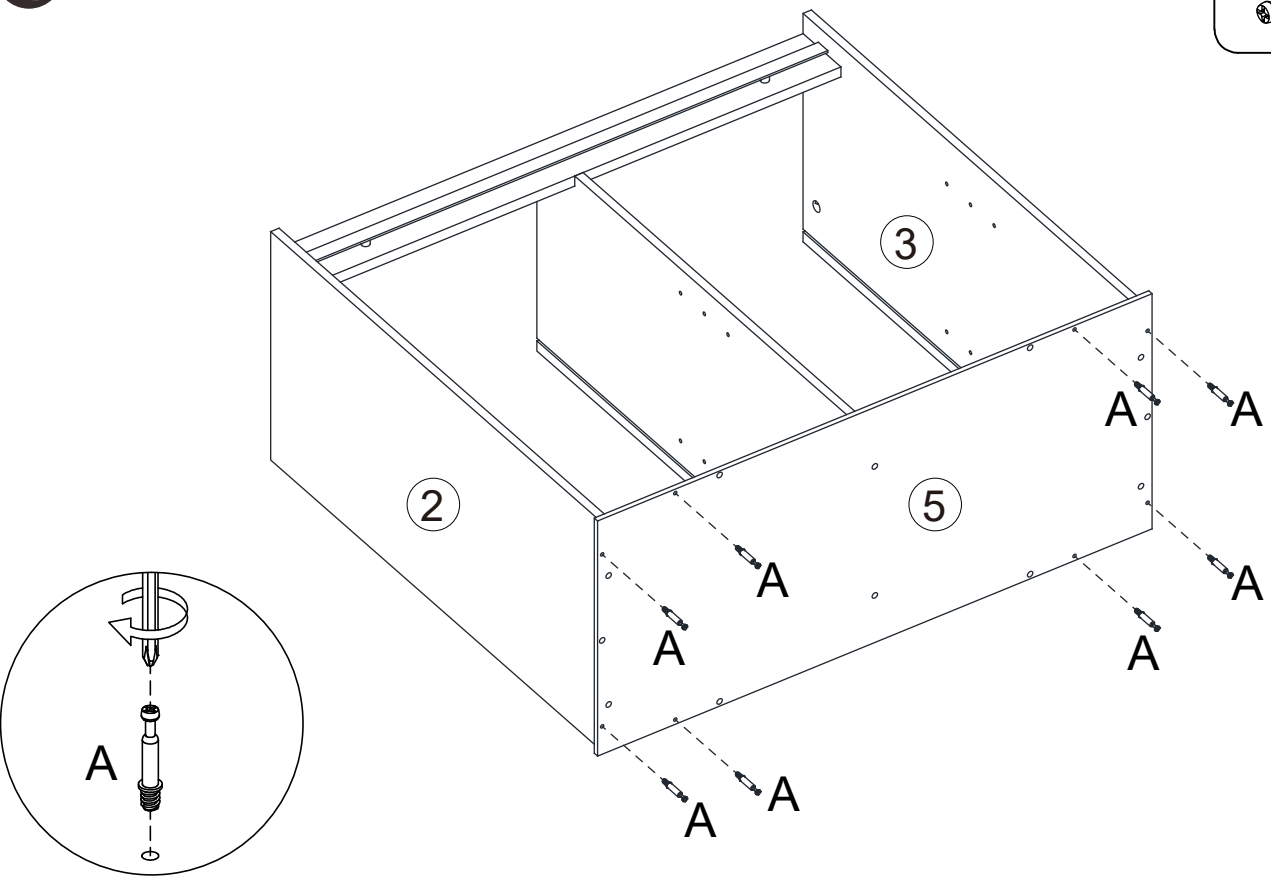
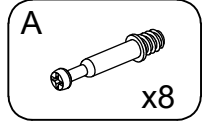
2



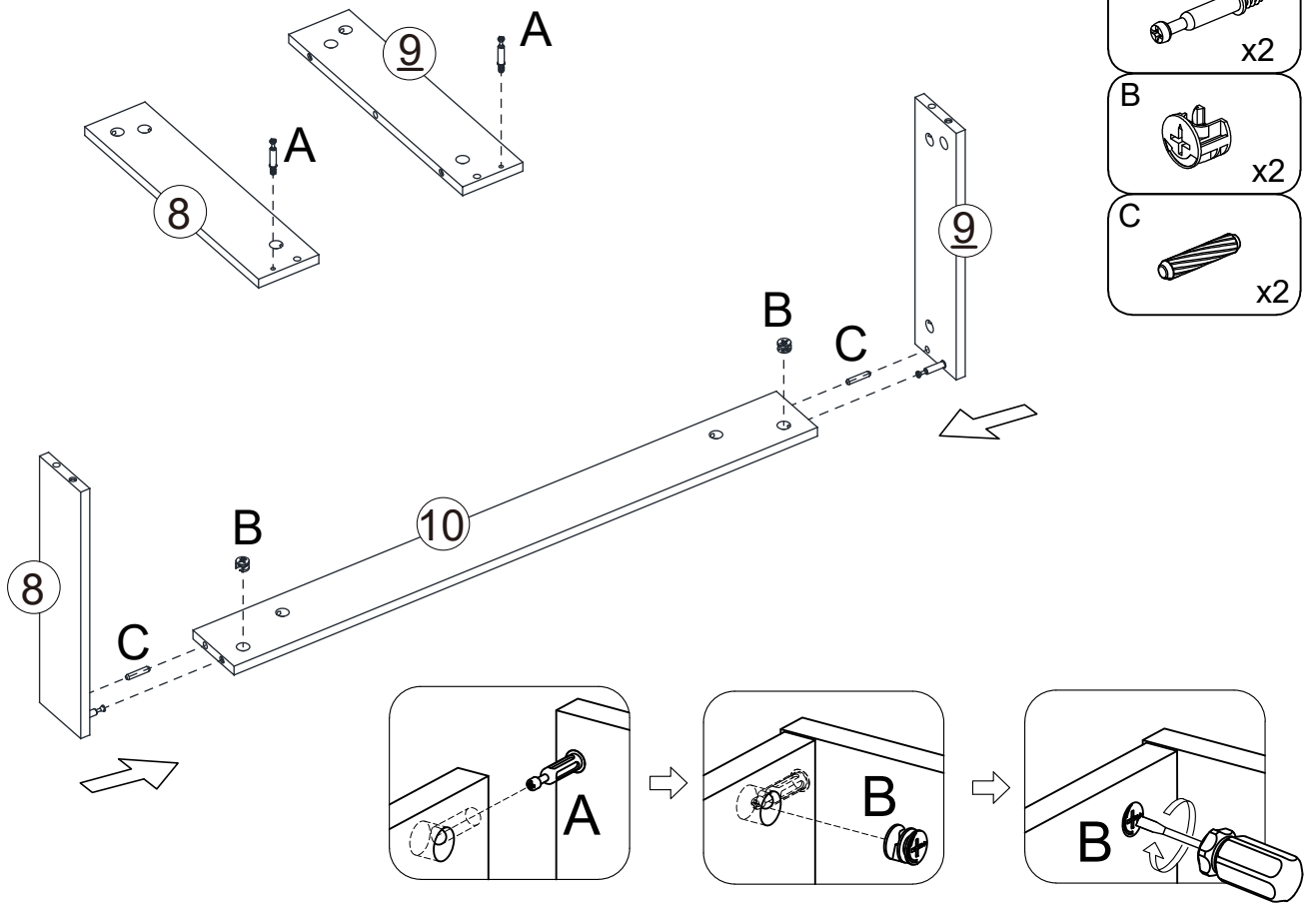
3



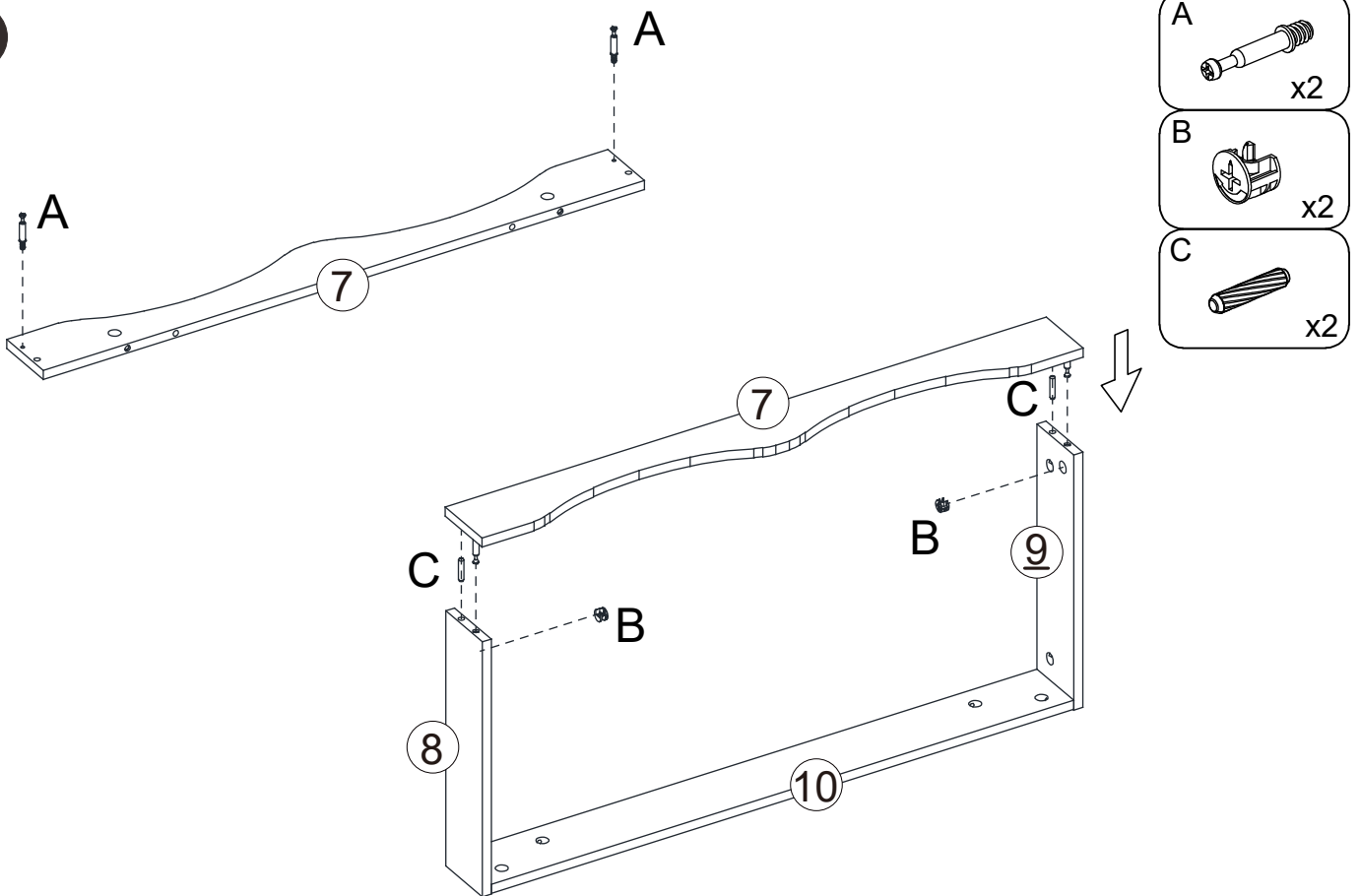
4



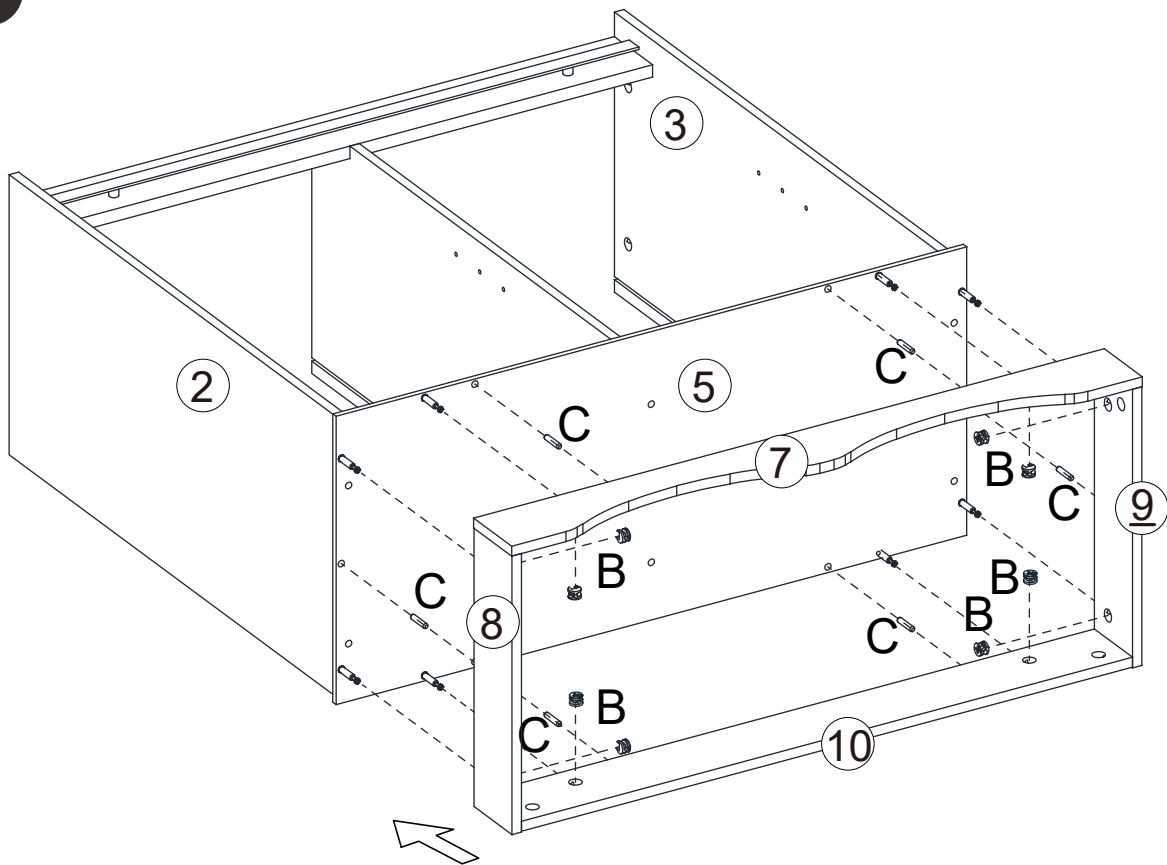
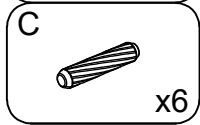
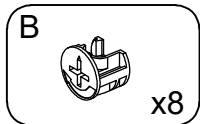
5



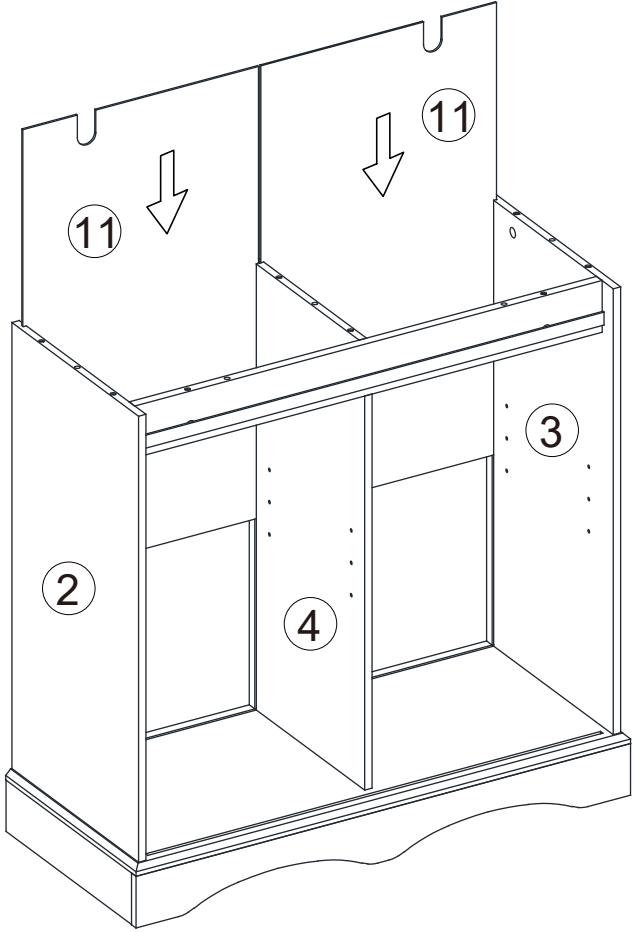
6



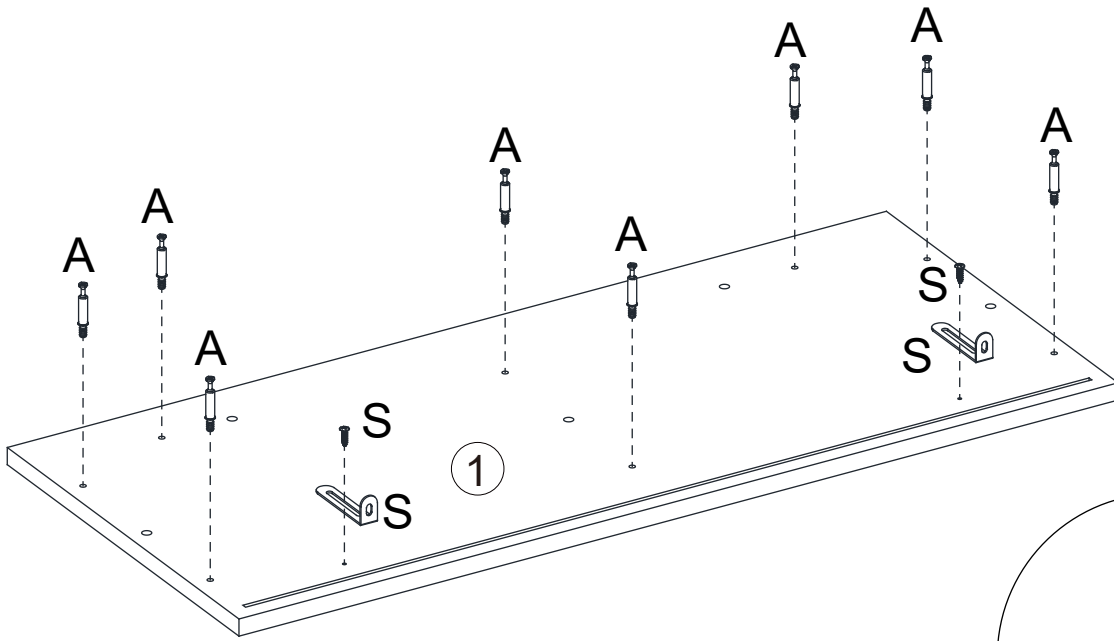
7

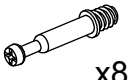




8

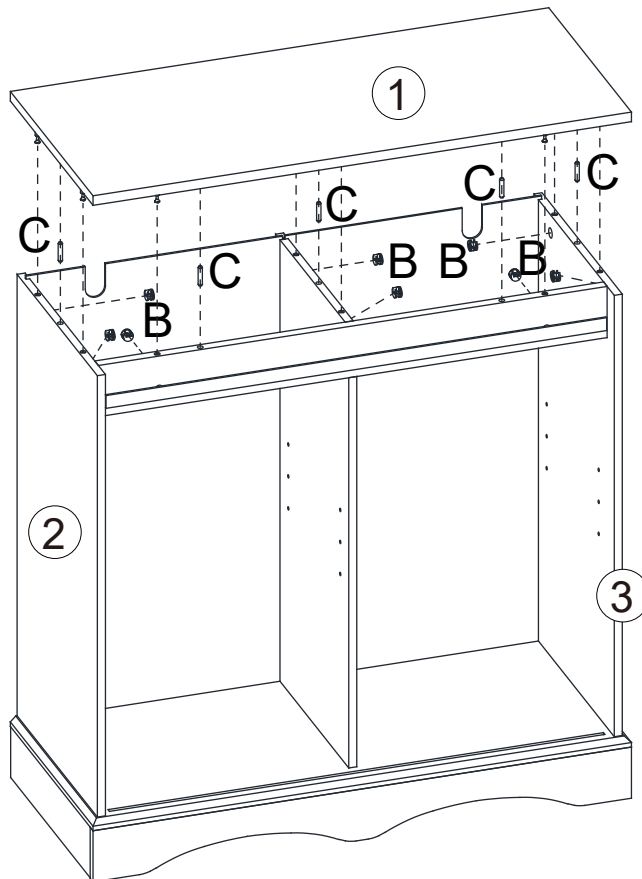


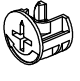

9



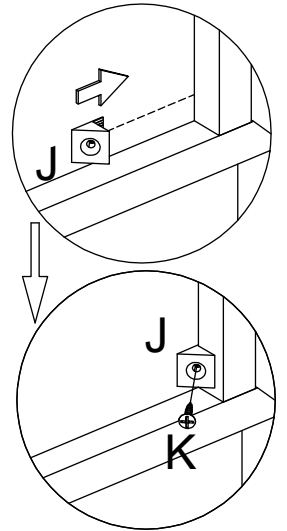
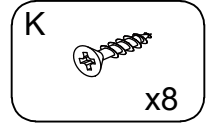
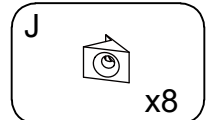
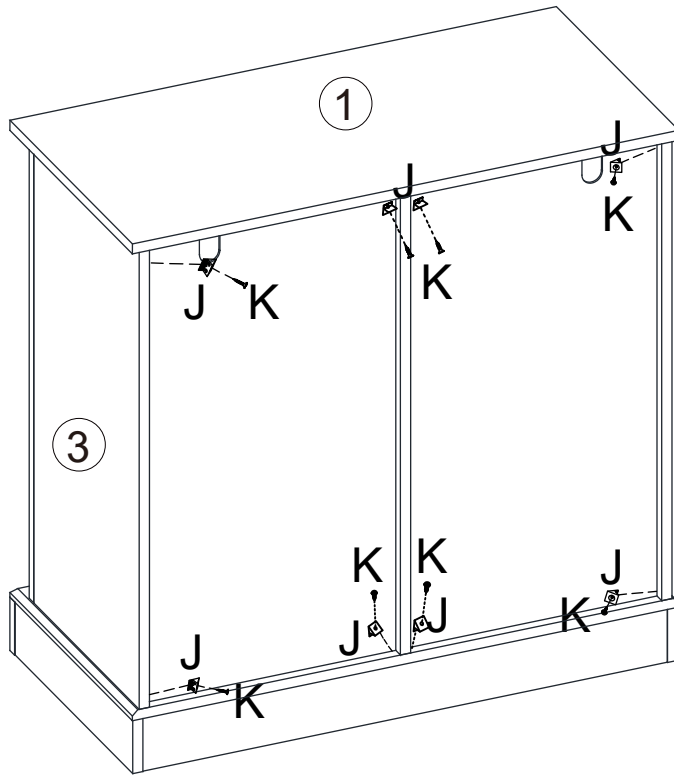
- A  x8
- S  x2
- S  x2

10

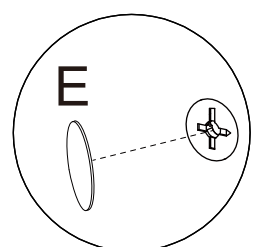
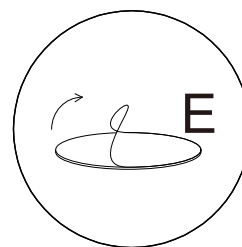
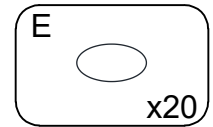
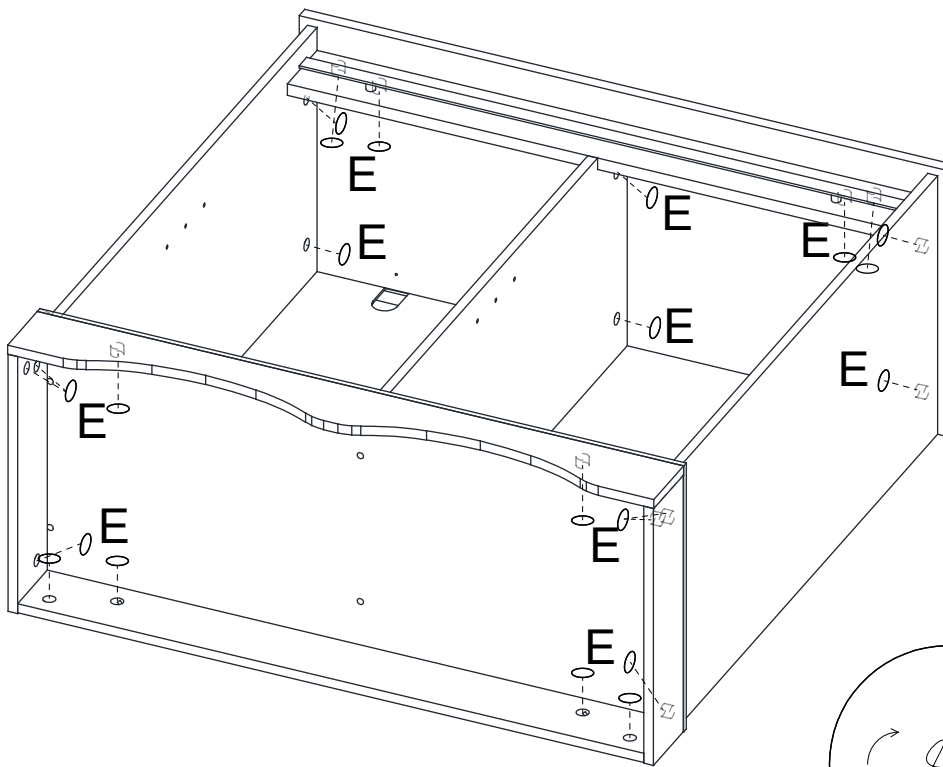


- B  x8
- C  x5

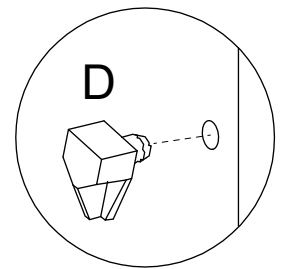
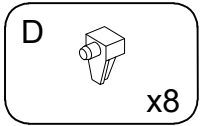
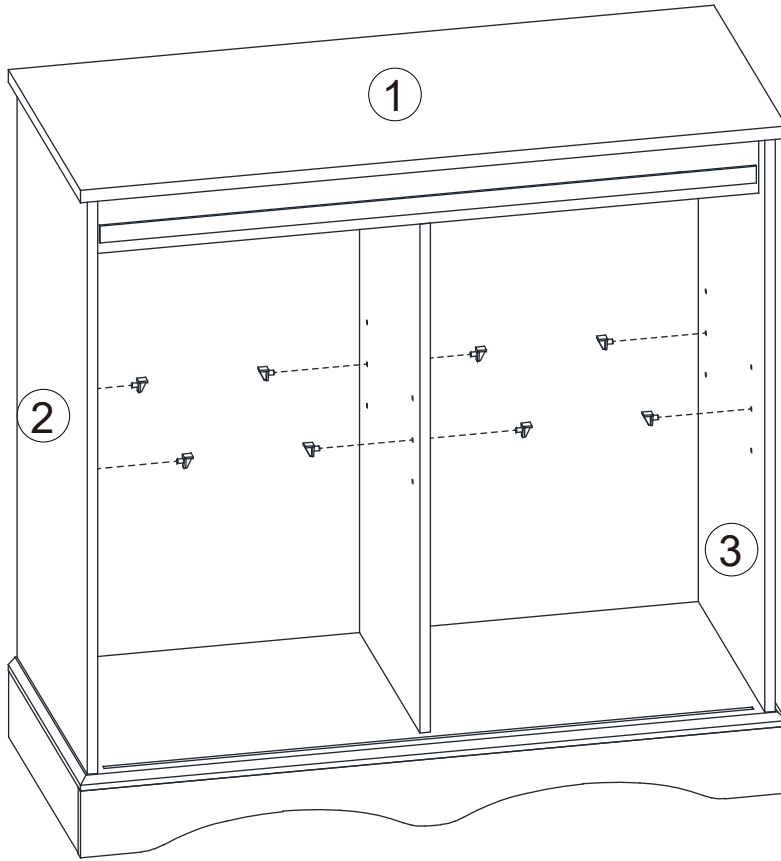
11



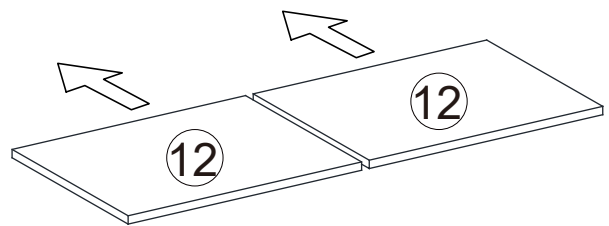
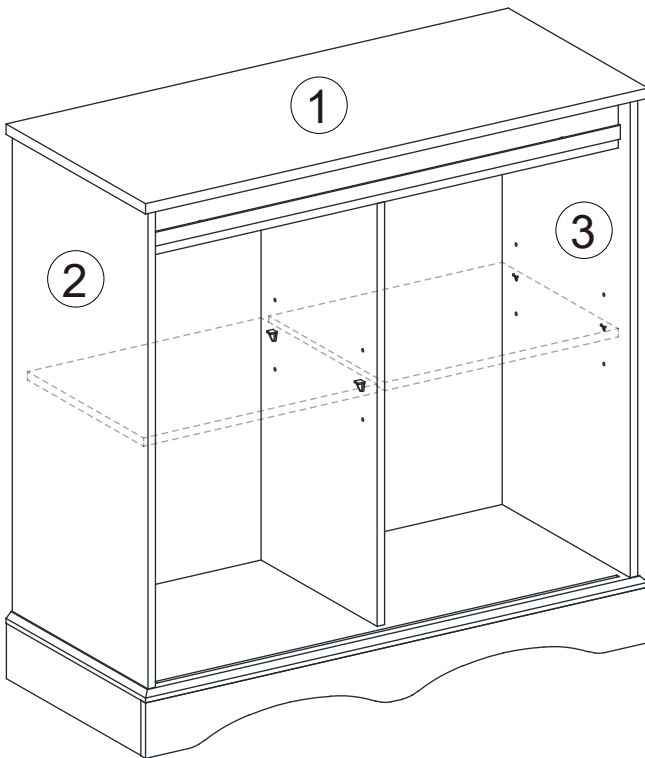
12



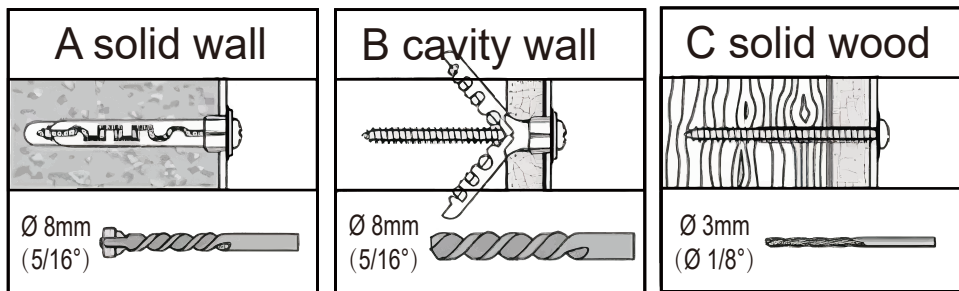
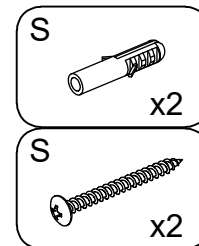
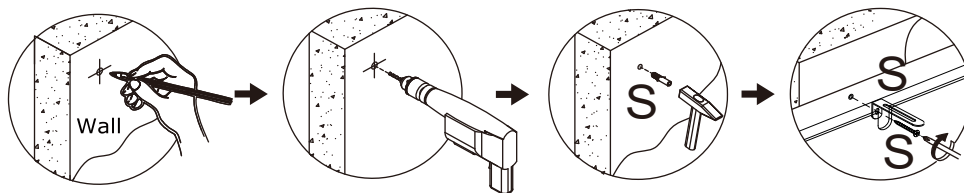
13



14

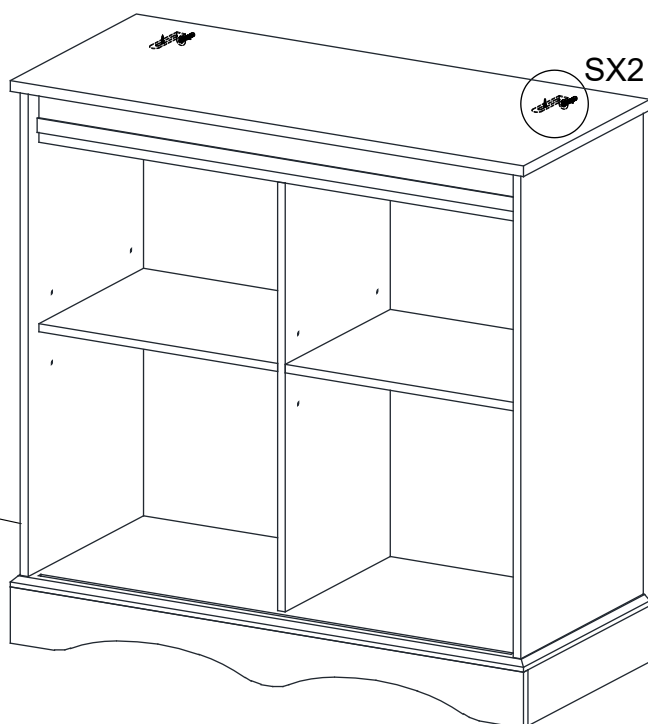


15

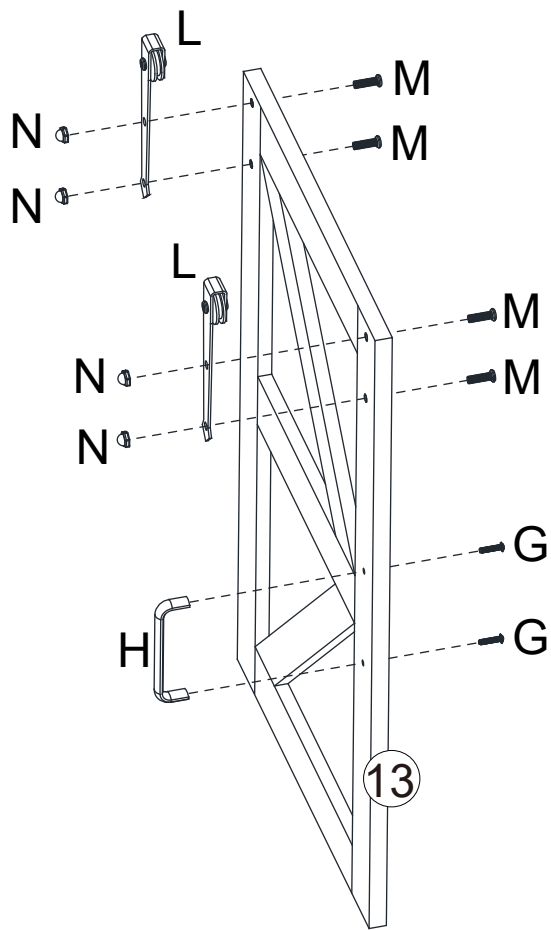



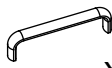
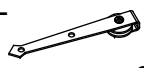


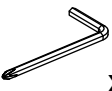

! Warning: If you overturn the furniture, it may cause serious or fatal crushing injuries. We have a wall connection device attached, please use it to hold the furniture following these instructions.

1. Mark the corresponding hole positions where you want to place the furniture;
2. Use a impact drill to drill holes and pay attention to avoid wires and water pipes;
3. Knock the expansion pipes into the wall holes;
4. Place the furniture in the corresponding position and tighten the wall connection device with screws.



16



- G  x2
- H  x1
- L  x2
- M  x4
- N  x4
- Q  x1
- R  x1

17

