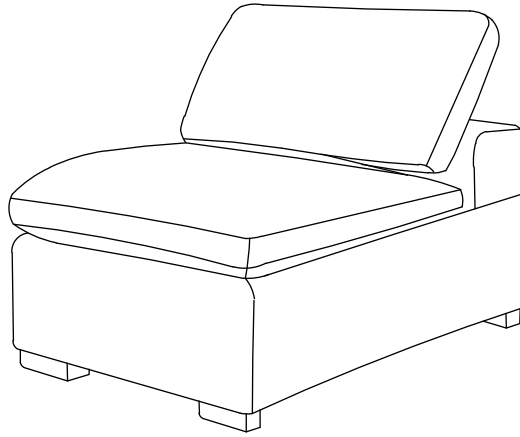
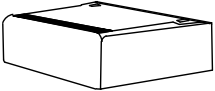


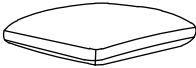
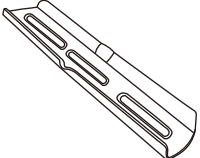
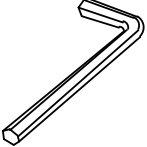
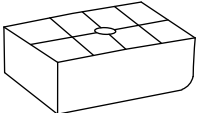
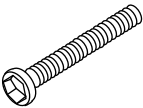


ASSEMBLY INSTRUCTION

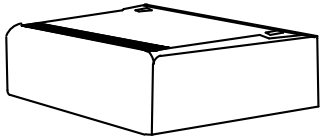
ITEM NO: F10191-A & F10192-A & F10193-A



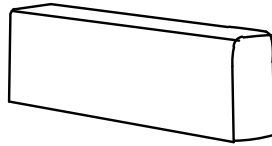
PARTS LIST

A  X1	B  X1	C  X1	D  X1	E  X2
F  X1	G  X4	H  X4		

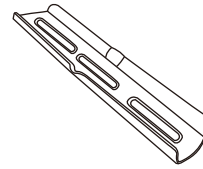
Packing list:



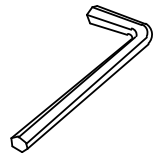
Ax1



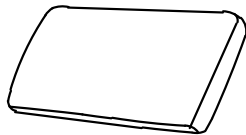
Bx1



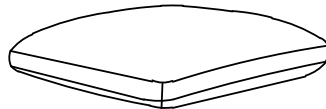
Ex2



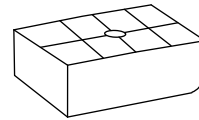
Fx1



Cx1



Dx1



Gx4

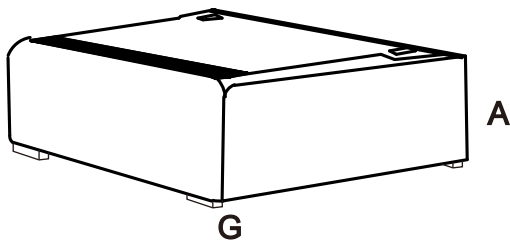
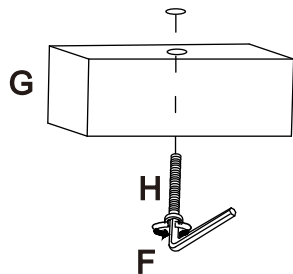


Hx4

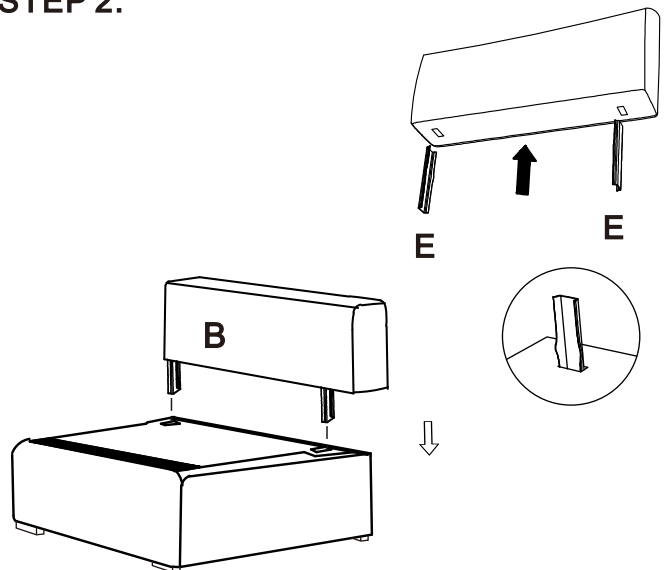
Carton 1

Hardware

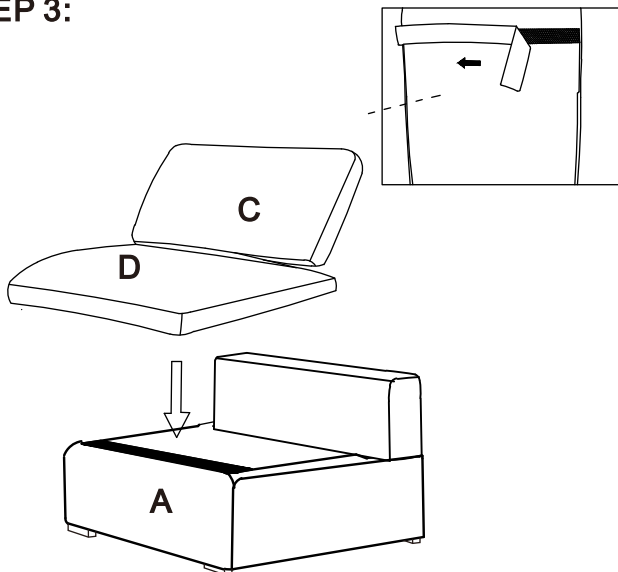
STEP 1:



STEP 2:



STEP 3:



STEP 4:

