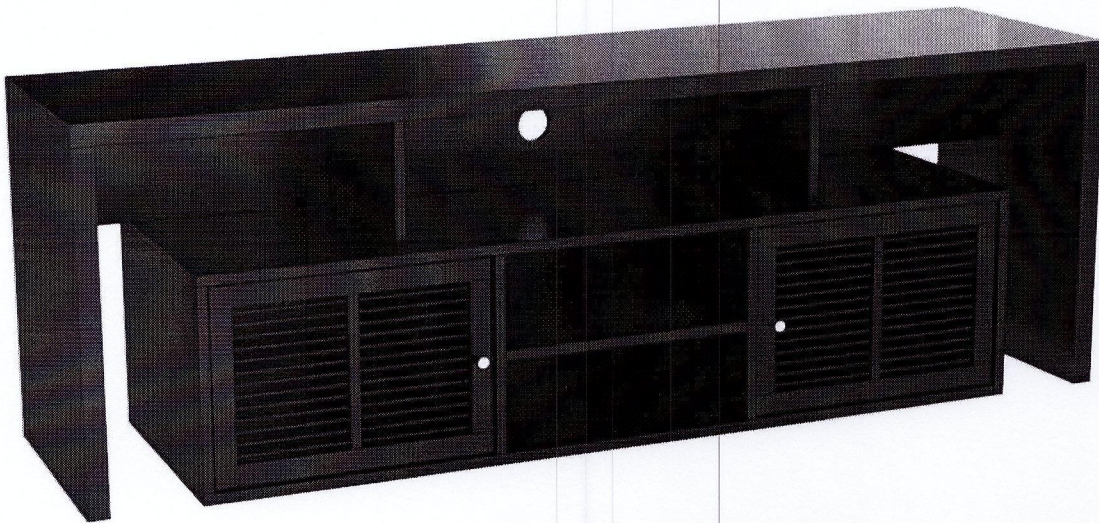


TV STAND



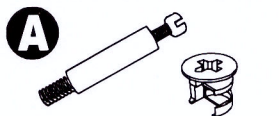
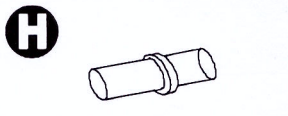
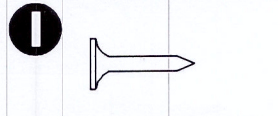


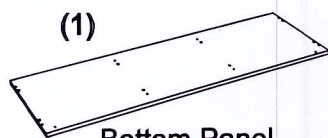
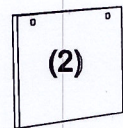
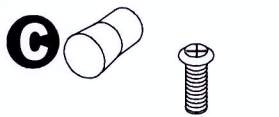
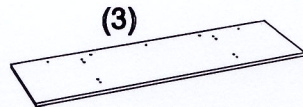
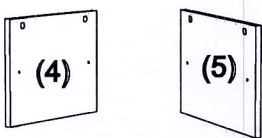

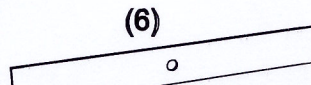
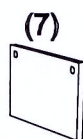
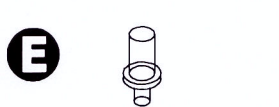
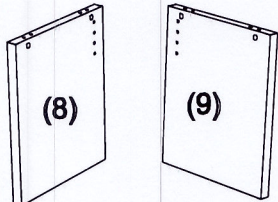
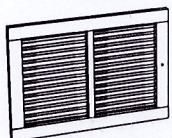
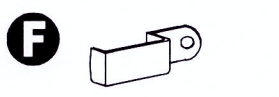
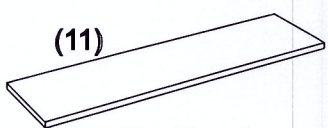

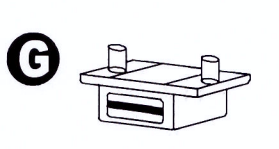
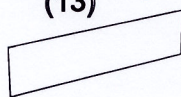
Assembly Instructions

We have designed our furniture with you, the customer in mind. Our clear, easy to follow, step by step instructions will guide you through the project from start to finish. Feel confident that this will be a fun and rewarding project. The final product will be a quality piece of furniture that will go together smoothly and give years of enjoyment.

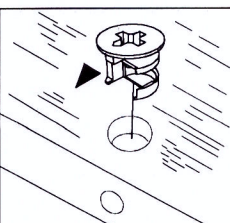
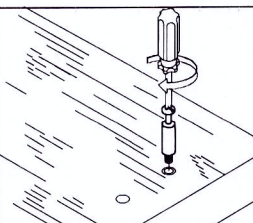
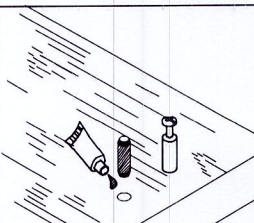
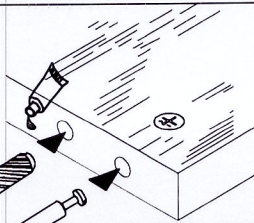
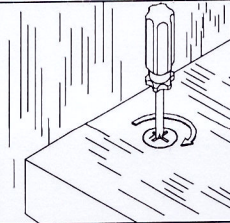


Please do not return to the store

Hardware List

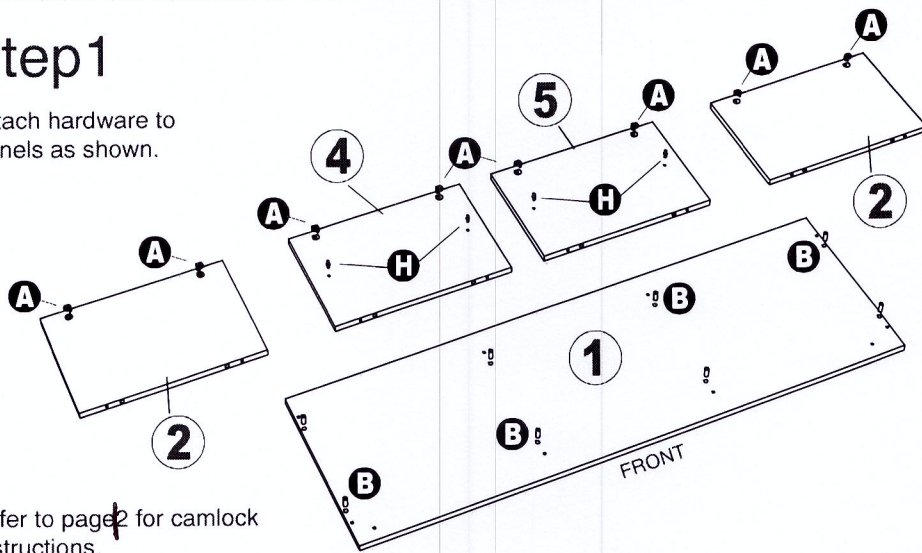
 <p>A</p>	 <p>H</p>	 <p>I</p>	 <p>J</p>
<p>Cambolt&Camlock (23pcs)</p>	<p>Metal Pin (4pcs)</p>	<p>Nail (15pcs)</p>	<p>Glue (1pc)</p>
Part List			
 <p>B</p>	 <p>(1) Bottom Panel (1pc)</p>		
<p>Wood dowel (36pcs)</p>	 <p>(2) Small Side Panel (2pcs)</p>		
 <p>C</p>	 <p>(3) Middle Panel (1pc)</p>		
<p>Knob&Knob Screw (2pcs)</p>	 <p>(4) (5) Large Divider Panel (2pcs) LEFT (4) & RIGHT (5)</p>		
 <p>D</p>	 <p>(6) Support Panel (1pc)</p>		
<p>Long Screw (15pcs)</p>	 <p>(7) Small Divider Panel (2pcs)</p>		
 <p>E</p>	 <p>(8) (9) Large Side Panel (2pcs) LEFT (8) & RIGHT (9)</p>		
<p>Spring Insert (4pcs)</p>	 <p>(10) Door (2pcs)</p>		
 <p>F</p>	 <p>(11) Top Panel (1pc)</p>		
<p>Bracket (2pcs)</p>	 <p>(12) Small Panel (1pc)</p>		
 <p>G</p>	 <p>(13) Back Panel (1pc)</p>		
<p>Magnet (2pcs)</p>			

Assembling the unit with camlocks and wood dowels.

				
<p>Insert camlock, camlock must face bolt hole</p>	<p>Gently screw cam dowel into the threaded anchor</p>	<p>Lightly glue one end of wood dowel and tap into hole.</p>	<p>Lightly glue dowel and connect to second panel by inserting dowels into holes</p>	<p>Gently screw the cam clockwise into locked position. Do not overtighten.</p>

step1

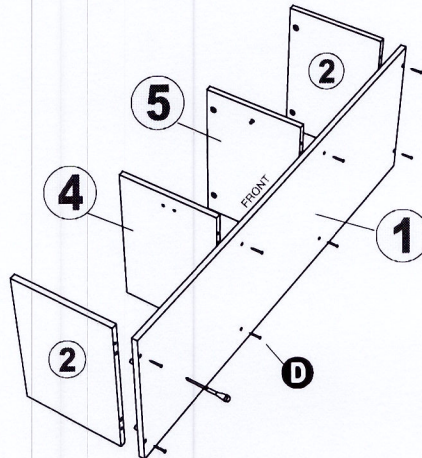
Attach hardware to panels as shown.



* Refer to page 2 for camlock instructions.

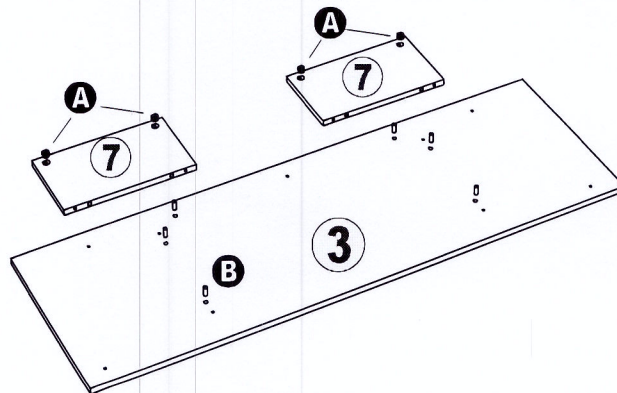
step2

Attach small side panels (2) and large divider panel (4) (5) to bottom panel (1) using long screws (D).



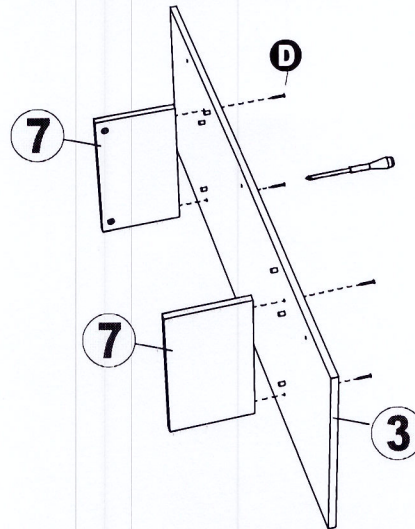
step3

Attach hardware to panels as shown.



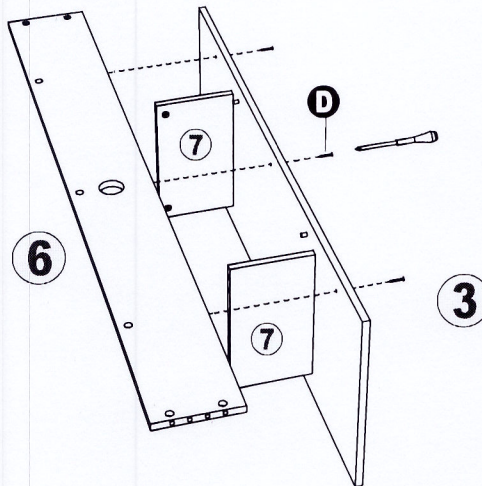
step4

Attach small divider panels (7) to middle panel (3) using long screws (D) as shown.



step5

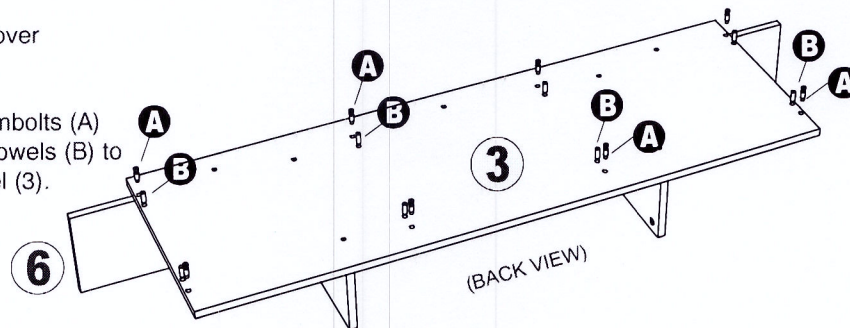
Attach support panel (6) to middle panel (3) using long screws (D).



step6

1. Turn unit over carefully.

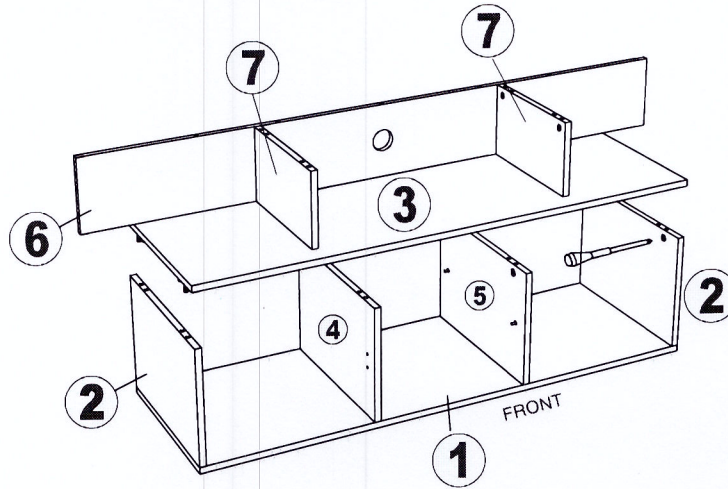
2. Attach cambolts (A) and wood dowels (B) to middle panel (3).



step7

Place top assembly onto cabinet assembly as shown and check all camlock and dowels in correct position.

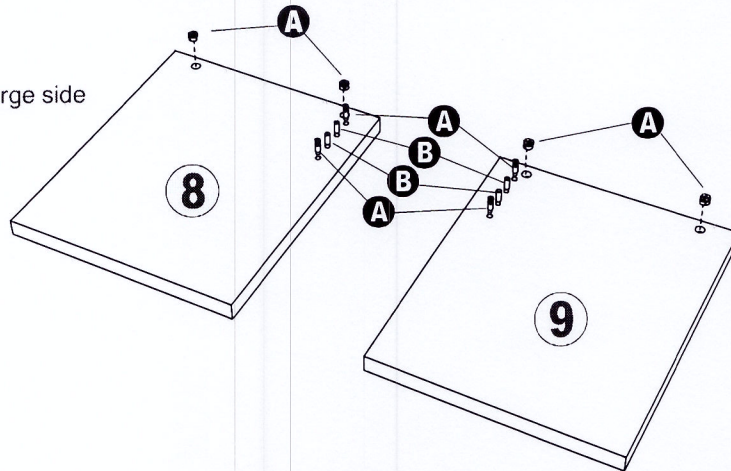
Gently tighten camlocks.



*REFER TO PAGE2 FOR CAM/DOWEL INSTRUCTION

step8

Attach hardware to large side panels (8) and (9).

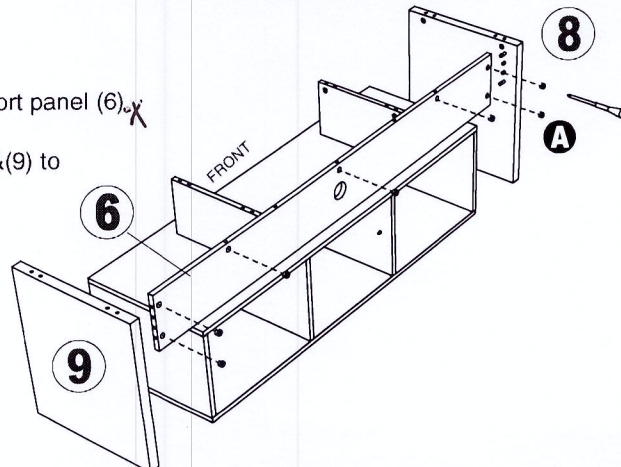


step9

1. Attach camlocks (A) to support panel (6).

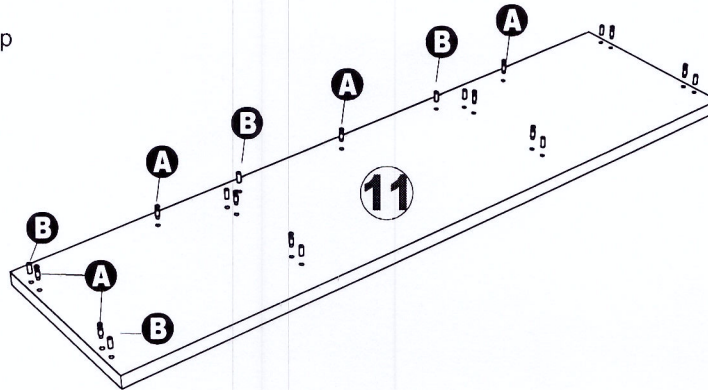
2. Attach large side panels (8) & (9) to unit.

Gently tighten camlocks.



step10

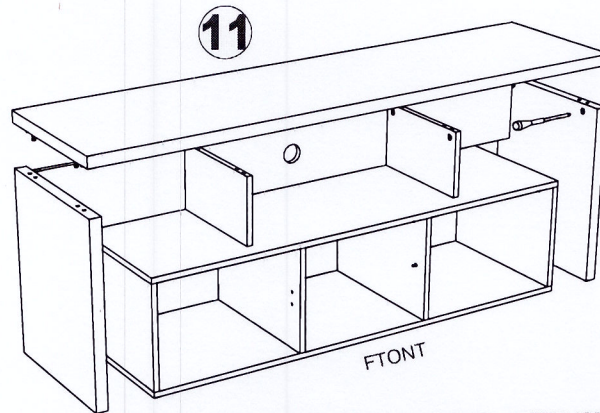
Attach hardware to top panel (11) as shown.



step11

1. Attach top panel (11) to unit.
Check all cambolts and dowels are in correct position and gently tighten camlocks.

2. Place metal pins (H) into holes in side divider panels (4) and (5).

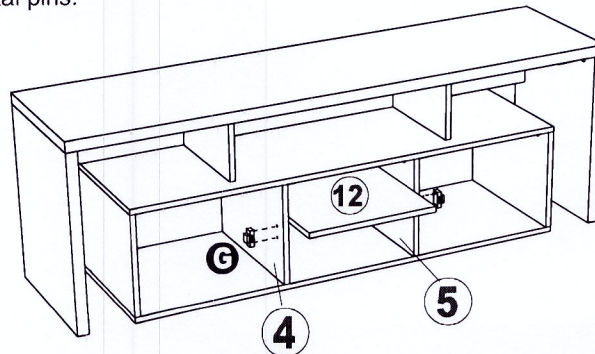


*REFER TO PAGE2 FOR CAM/DOWEL INSTRUCTION

step12

1. Place small panel (12) onto metal pins.

2. Insert magnets (G) to large divider panels (4)&(5) as shown.

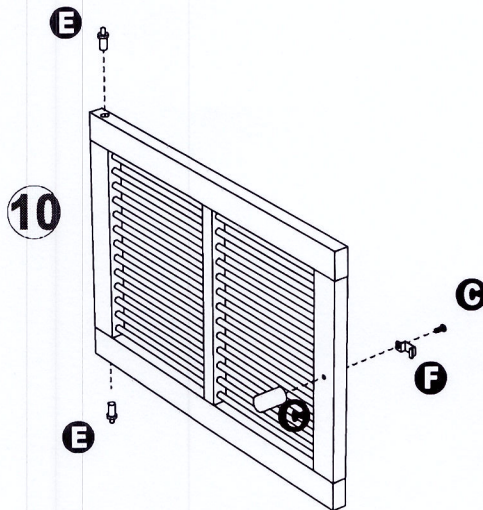


step13

Doors (10) assembly.

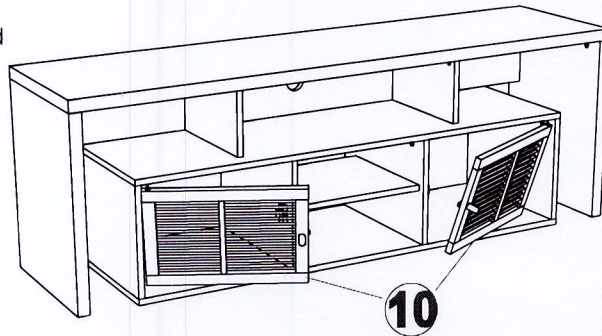
1. Attach knob (C) to door (10) using knob screw (C) & bracket (F) as shown.

2. Push spring pins (E) into top and bottom holes.



step14

Attach door (10) to unit by placing one end of spring pin into hole, gently compress other end of spring pin so that it will slide into remaining hole.



step15

1. Turn sample around and connect back panel (13) to unit using nails (I).

2. Enjoy your new television stand!

