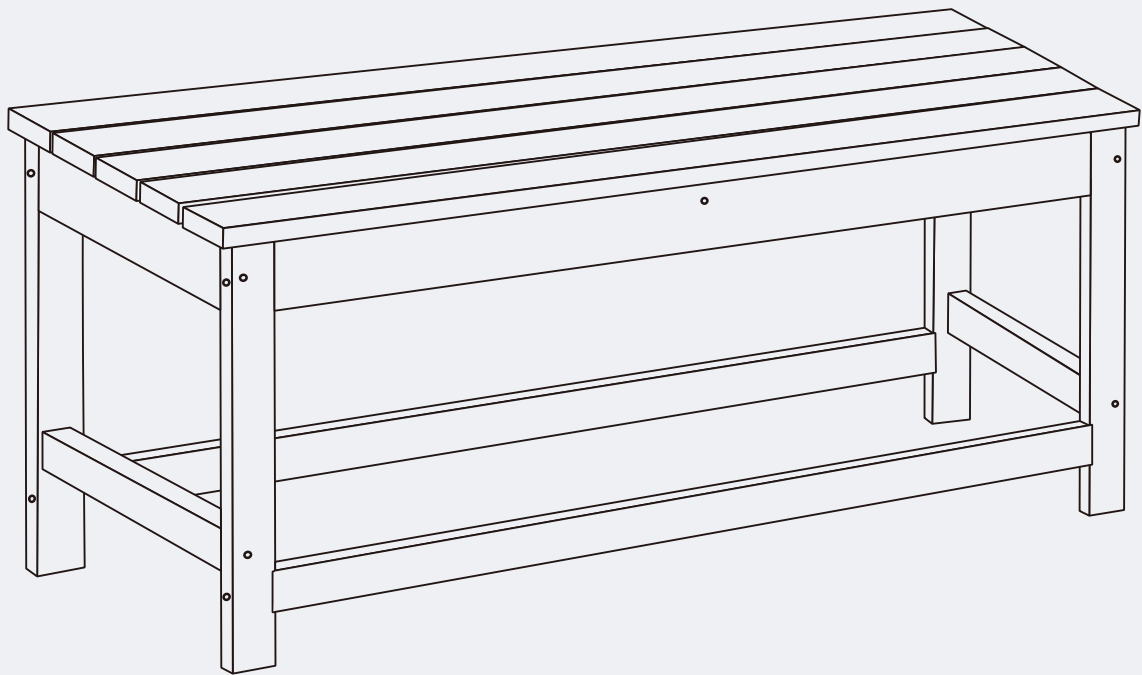


INSTRUCTION MANUAL



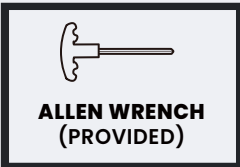
Outdoor Poly Adirondack Coffee Table

! CARE & MAINTENANCE

Do not overtighten screws. (Insert all screws before tighten screws.)

- Please do not exceed the weight limitations of this item.
- Do not stand on or use any part of this item as a step ladder.
- Firmly secure all bolts, screws and nuts before use.
- Reconfirm that all bolts, screws, and nuts are secure every 90 days.
- Do not use or store this item in the proximity of open flame or flammable/combustible chemicals.
- Avoid using strong power tool for avoiding to crack the PE board when assembling.

TOOLS REQUIRED



**TABLE
220 LBS
CAPACITY**

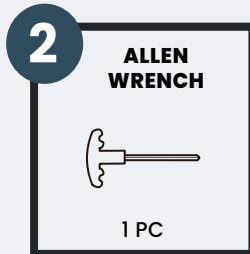
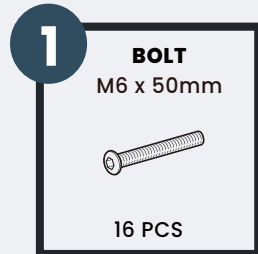


**1 PERSON
ASSEMBLY**

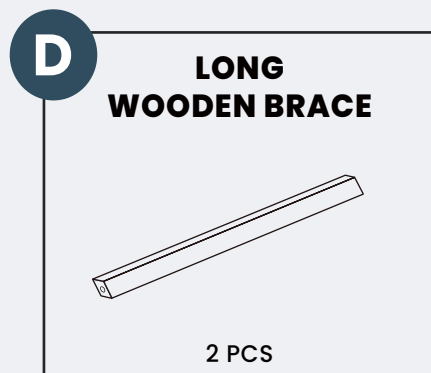
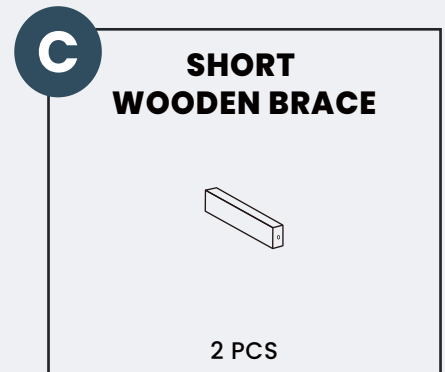
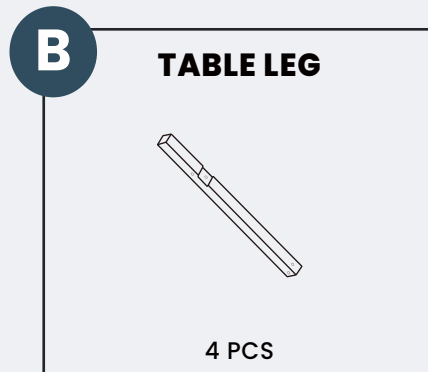
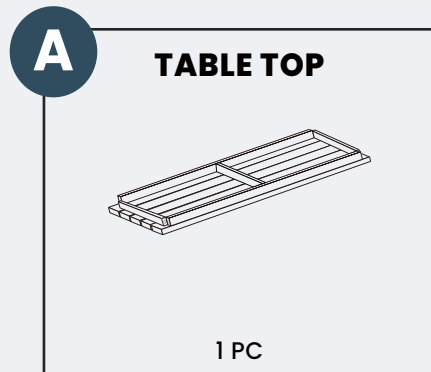


**UP TO 20 MIN.
ASSEMBLY**

HARDWARE



PARTS



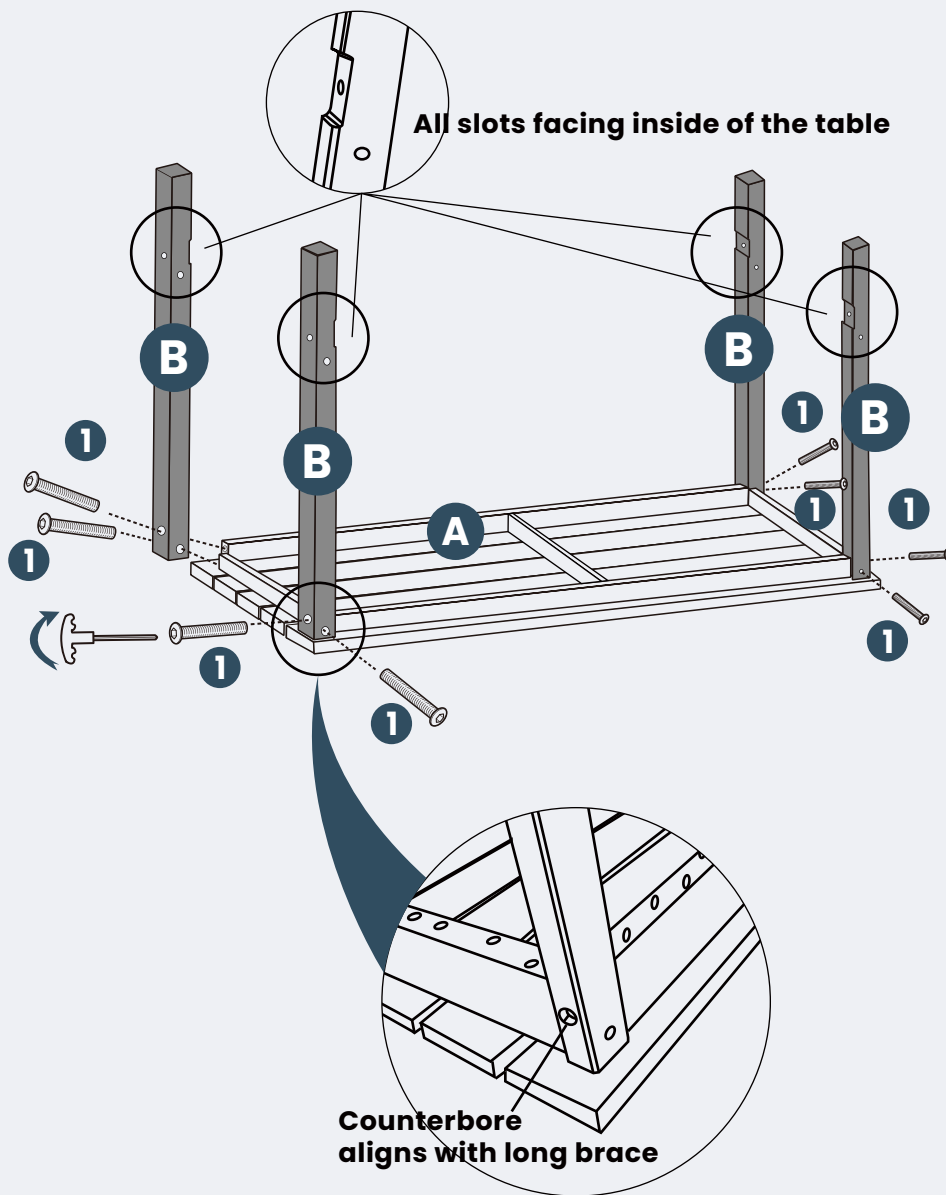
PRODUCT ASSEMBLY

1

Attach 4 pcs of **Part B Table Leg** to **Part A Table Top** with 8 pcs of **Hardware #1 Bolt**.

Attention: Place the legs with the slot facing inside of the table, meanwhile make sure the counterbore is facing outside as below.

Do not tighten bolts too much at this stage.

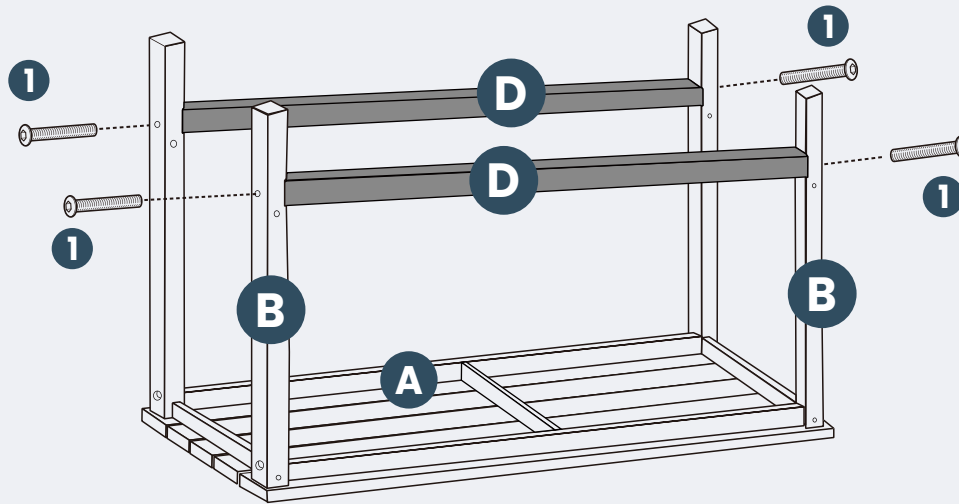


PRODUCT ASSEMBLY

2

Place **Part D Long Wooden Brace** between **Part B Table Legs** and attach them with 2 pcs of **Hardware #1 Bolt**.

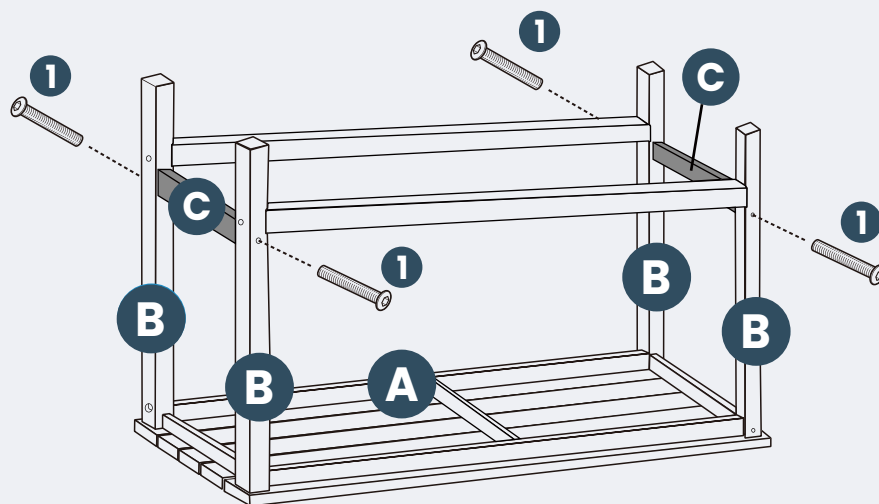
Do the same to attach **Part D Long Wooden Brace** to the other side.



3

Attach **Part C Short Wooden Brace** between **Part B Table Legs** at the side and attach them with 2 pcs of **Hardware #1 Bolt**.

Do the same to attach **Part D Long Wooden Brace** to the other side.

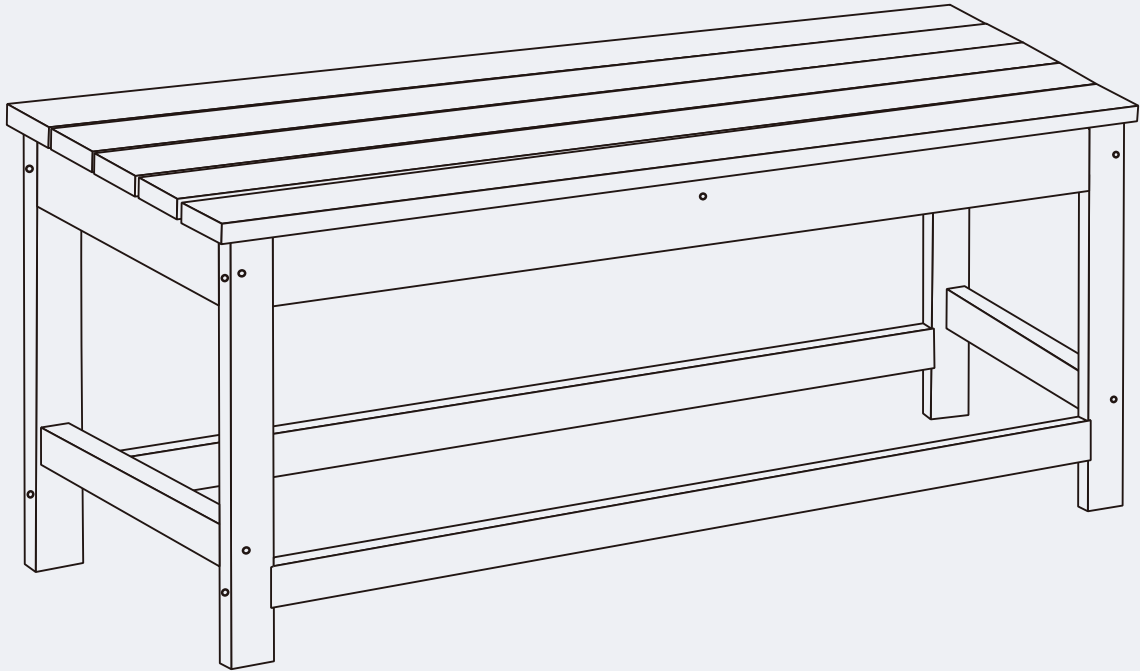


PRODUCT ASSEMBLY

4

Tighten all the bolts again to ensure the steady of this table.

Place the table upside down to normal position and you can enjoy it now.



CLEANING TIPS

REGULAR CLEAN: Use a mixture of warm water and mild soap. Gently scrub the surface with a soft bristle brush to remove any dirt or stains.

QUICK CLEAN: You can simply wipe down the furniture with a damp cloth.

Regular cleaning not only preserves the aesthetic appeal of your furniture, but also helps extend its lifespan.