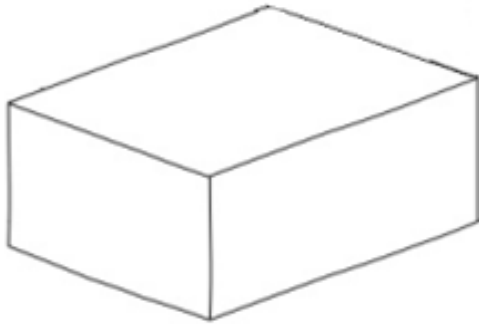


Thank you for your purchase!



MODULAR Ottoman

ASSEMBLY INSTRUCTIONS

Before You Begin:

Please identify all component parts and hardware pieces required before you begin. Carefully remove all of the components from the packaging and set aside for assembly. Assemble on a soft surface to prevent scratching during assembly.

Caution:

Tighten all components securely before use. Failure to do so may result in personal injury. DO NOT use any sharp objects to open plastic wrapped components as damage to product or components may result.

Warning:


CHOKING HAZARD - Small Parts. Adult Assembly Required.

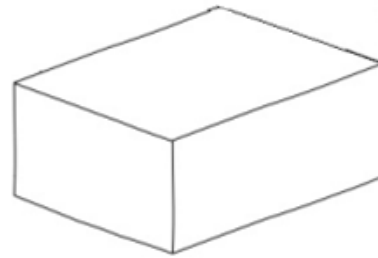
DO NOT ALLOW CHILDREN TO CLIMB ON FURNITURE

Serious or fatal injuries can occur from furniture tipping over. You must install Tipping Restraint Hardware (where included) to help prevent the unit from tipping and causing accidental injury, instability, death or damage. The tipping restraint is intended only as a safety measure, it is not a substitute for proper adult supervision.

To help prevent furniture from tipping over it must be permanently attached to the wall. Anti-Tip Safety Wall Straps suitable for the unit weight and wall materials (if not included) should be purchased and installed.

PARTS

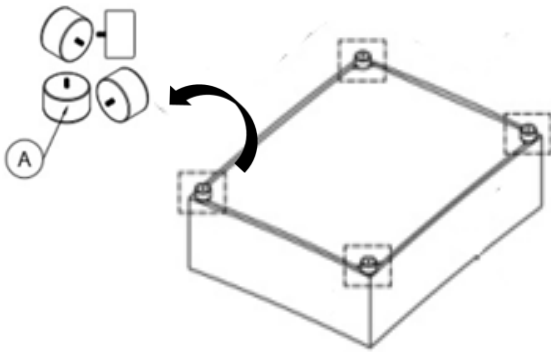
PART LIST		
NO	DESCRIPTION	QTY
1	 SEAT	1



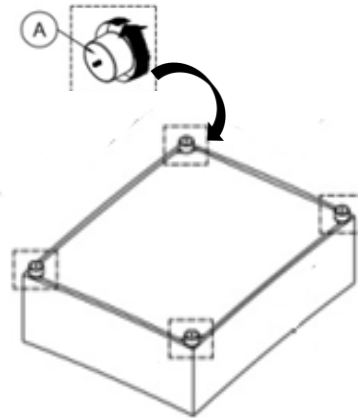
OTTOMAN

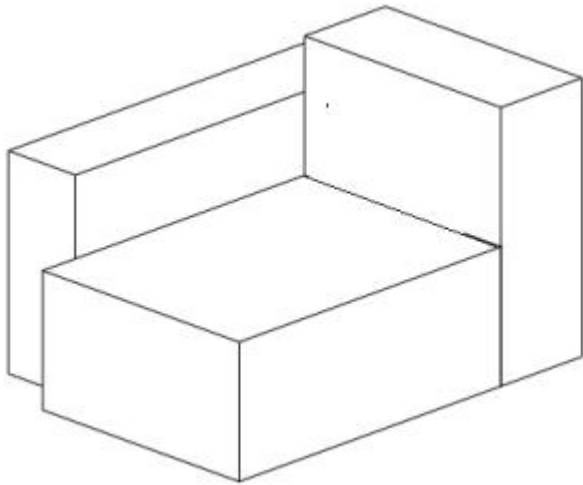
HARDWARE		
A		
A	 PLASTIC LEG	4

STEP 1



STEP 2





MODULAR Right Arm Chair

ASSEMBLY INSTRUCTIONS

Before You Begin:

Please identify all component parts and hardware pieces required before you begin. Carefully remove all of the components from the packaging and set aside for assembly. Assemble on a soft surface to prevent scratching during assembly.

Caution:

Tighten all components securely before use. Failure to do so may result in personal injury. DO NOT use any sharp objects to open plastic wrapped components as damage to product or components may result.

Warning:




CHOKING HAZARD - Small Parts. Adult Assembly Required.

DO NOT ALLOW CHILDREN TO CLIMB ON FURNITURE

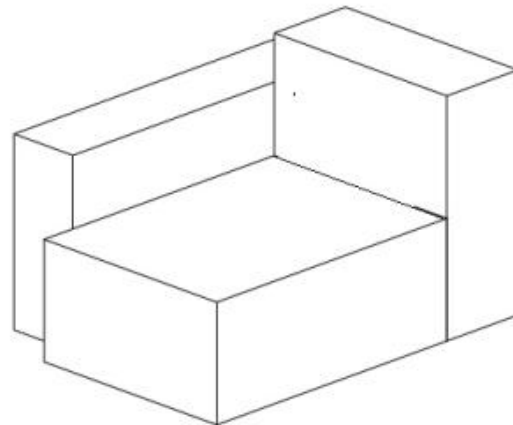
Serious or fatal injuries can occur from furniture tipping over. You must install Tipping Restraint Hardware (where included) to help prevent the unit from tipping and causing accidental injury, instability, death or damage. The tipping restraint is intended only as a safety measure, it is not a substitute for proper adult supervision.

To help prevent furniture from tipping over it must be permanently attached to the wall. Anti-Tip Safety Wall Straps suitable for the unit weight and wall materials (if not included) should be purchased and installed.

PARTS

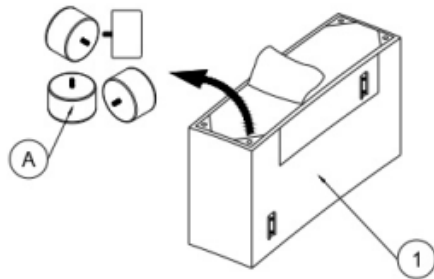
PART LIST			
NO		DESCRIPTION	QTY
1		ARM	1
2		BACK REST	1
3		SEAT	1

HARDWARE LIST			
A		PLASTIC LEG	12

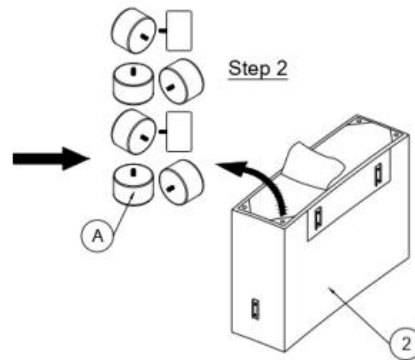


RIGHT ARM
CHAIR

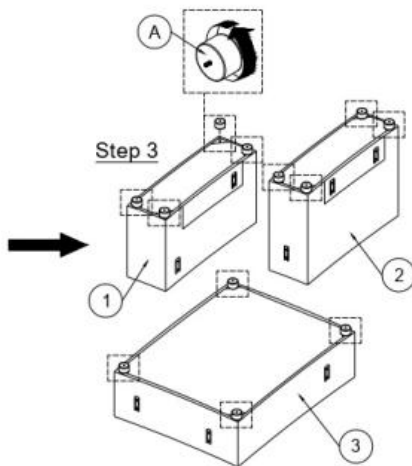
STEP 1



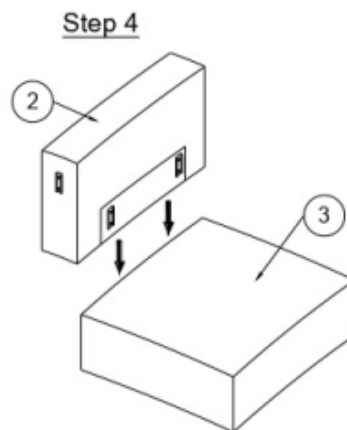
STEP 2



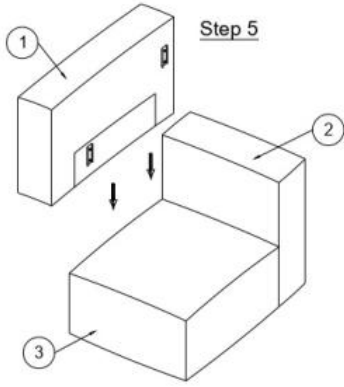
STEP 3

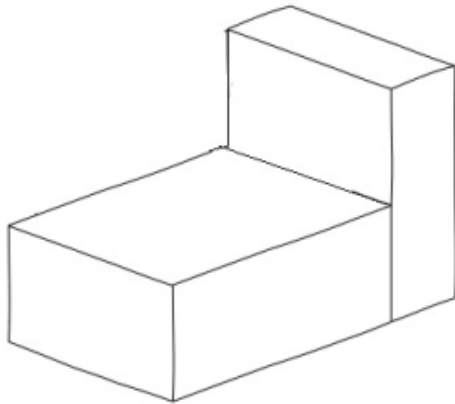


STEP 4



STEP 5





MODULAR Middle Chair

ASSEMBLY INSTRUCTIONS

Before You Begin:

Please identify all component parts and hardware pieces required before you begin. Carefully remove all of the components from the packaging and set aside for assembly. Assemble on a soft surface to prevent scratching during assembly.

Caution:

Tighten all components securely before use. Failure to do so may result in personal injury. DO NOT use any sharp objects to open plastic wrapped components as damage to product or components may result.

Warning:



CHOKING HAZARD - Small Parts. Adult Assembly Required.

DO NOT ALLOW CHILDREN TO CLIMB ON FURNITURE

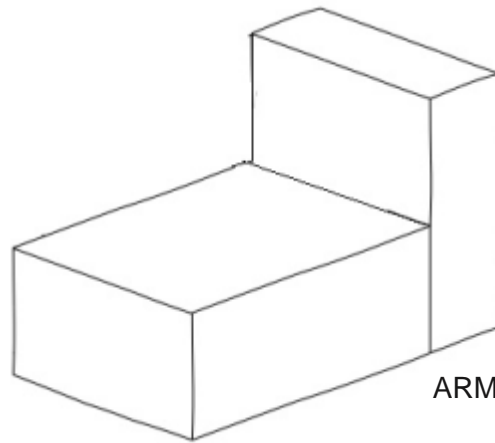
Serious or fatal injuries can occur from furniture tipping over. You must install Tipping Restraint Hardware (where included) to help prevent the unit from tipping and causing accidental injury, instability, death or damage. The tipping restraint is intended only as a safety measure, it is not a substitute for proper adult supervision.

To help prevent furniture from tipping over it must be permanently attached to the wall. Anti-Tip Safety Wall Straps suitable for the unit weight and wall materials (if not included) should be purchased and installed.

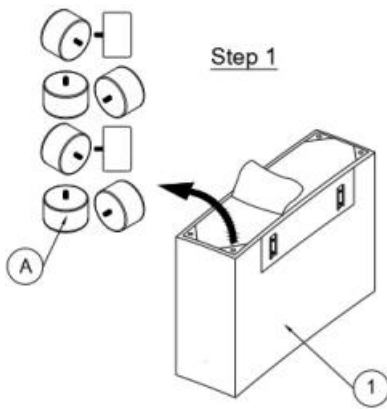
PARTS

PART LIST			
NO		DESCRIPTION	QTY
1		BACK REST	1
2		SEAT	1

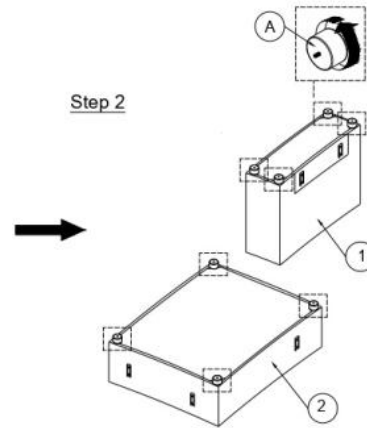
HARDWARE LIST			
A		DESCRIPTION	QTY
A		PLASTIC LEG	8



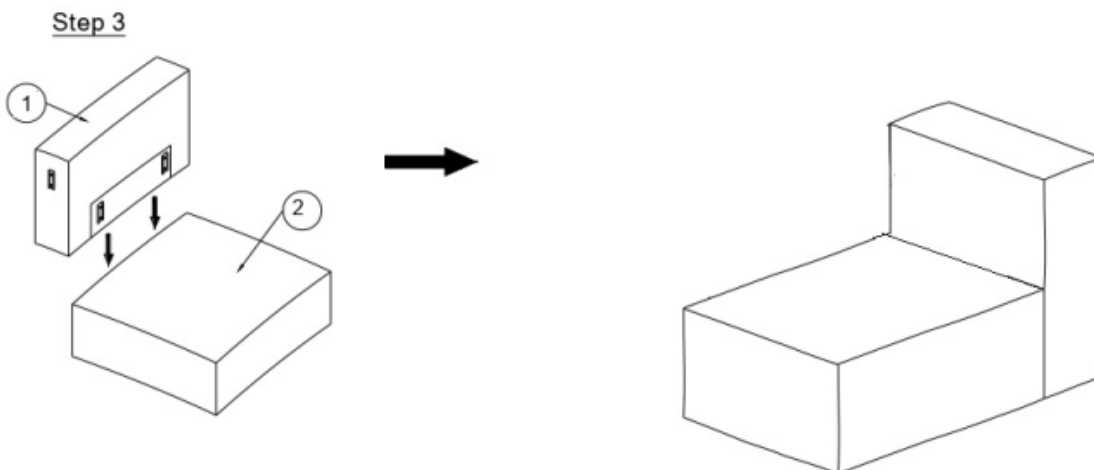
STEP 1

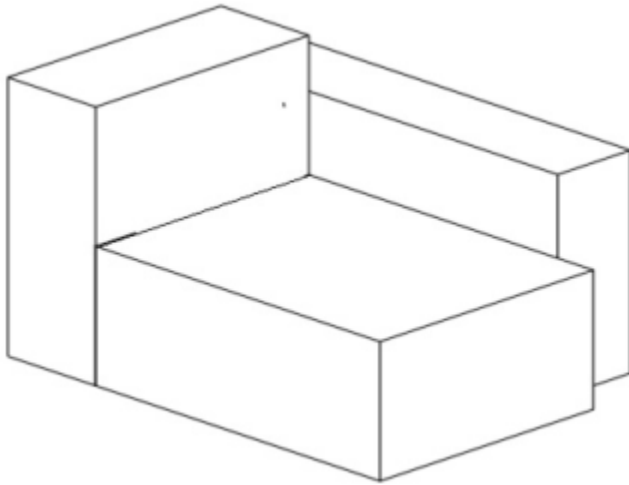


STEP 2



STEP 3





MODULAR

Left Arm Chair

ASSEMBLY INSTRUCTIONS

Before You Begin:

Please identify all component parts and hardware pieces required before you begin. Carefully remove all of the components from the packaging and set aside for assembly. Assemble on a soft surface to prevent scratching during assembly.

Caution:

Tighten all components securely before use. Failure to do so may result in personal injury.

DO NOT use any sharp objects to open plastic wrapped components as damage to product or components may result.

Warning:




CHOKING HAZARD - Small Parts. Adult Assembly Required.

DO NOT ALLOW CHILDREN TO CLIMB ON FURNITURE

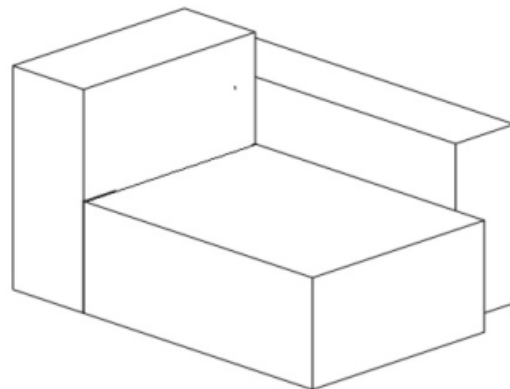
Serious or fatal injuries can occur from furniture tipping over. You must install Tipping Restraint Hardware (where included) to help prevent the unit from tipping and causing accidental injury, instability, death or damage. The tipping restraint is intended only as a safety measure, it is not a substitute for proper adult supervision.

To help prevent furniture from tipping over it must be permanently attached to the wall. Anti-Tip Safety Wall Straps suitable for the unit weight and wall materials (if not included) should be purchased and installed.

PARTS

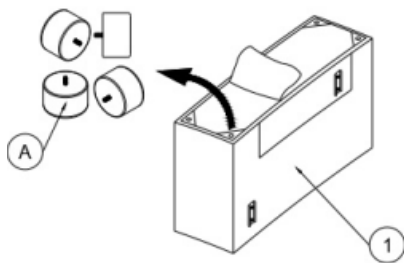
PART LIST			
NO		DESCRIPTION	QTY
1		ARM	1
2		BACK REST	1
3		SEAT	1

HARDWARE LIST			
A		PLASTIC LEG	12

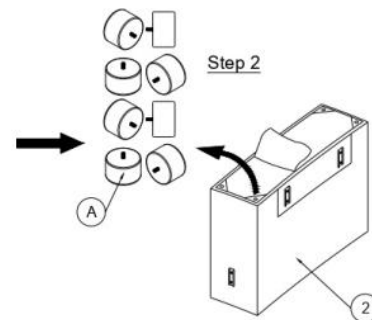


LEFT ARM CHAIR

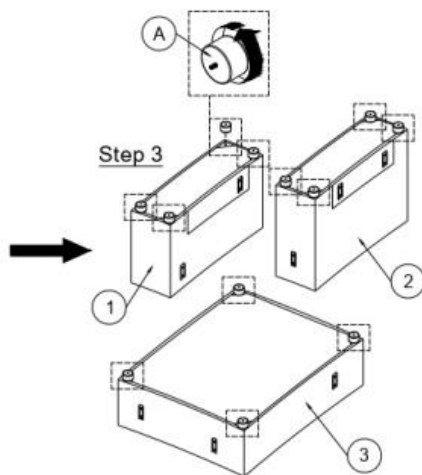
STEP 1



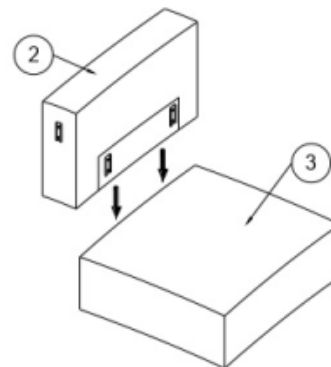
STEP 2



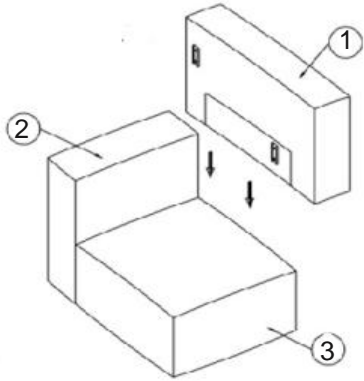
STEP 3



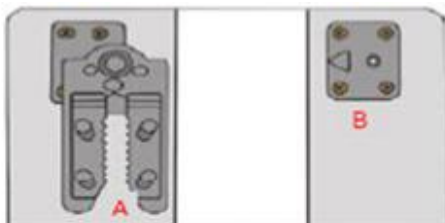
STEP 4



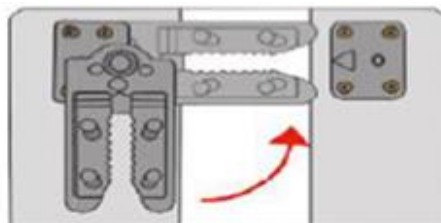
STEP 5



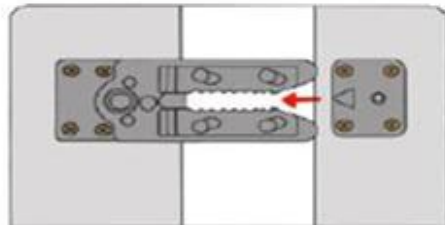
Joining Modular Pieces



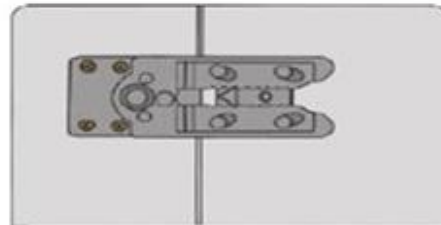
1. At the bottom of the modular pieces there are linking parts A and B.



2. Rotate A 90° to the right, as shown above.

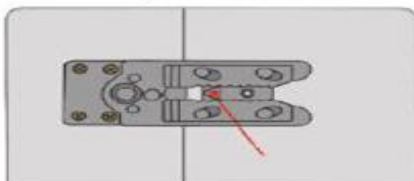


3. Align B with A and insert it.

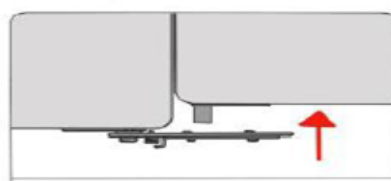


4. Ensure there is no gap between the modular pieces.

To Reconfigure Modular Pieces



1. Push the triangle on Part B.



2. Lift modular section upwards.

Quality and Safety Guidelines:

- Please follow the static and dynamic weight capacity limits provided on this item. If you are unsure of the weight capacities for this product, email us
 - Please use this item on a stable, level surface only. All sofa legs/feet/bases should contact the flooring surface when in use. Do not use this item if any instability is detected.
 - For maintenance instructions and replacement parts, please email us
 - This item is intended for sitting and lying down only, do not climb or stand on this item.
 - To prevent accidental tipping or falling, do not lean backwards or forwards in this sofa.
 - Do not slide this product when moving it.
 - This item is intended for indoor use only.
 - Store indoors away from moisture. For additional storage instructions, please email us
-