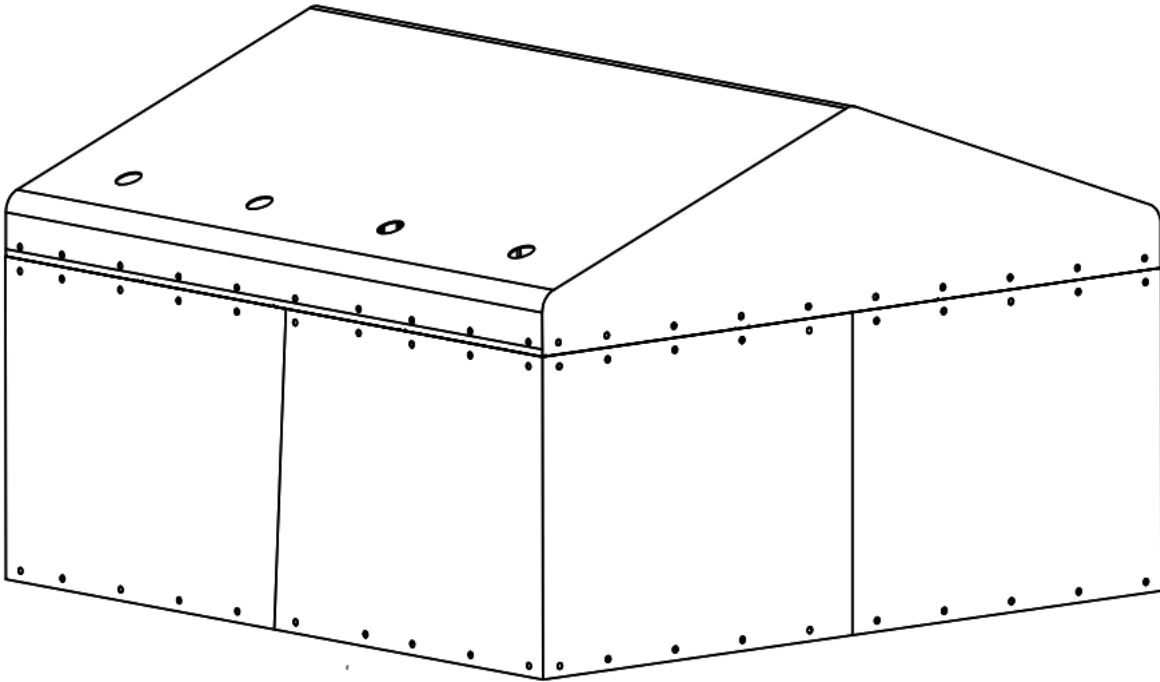


Outdoor Large Dog Cage 10*10ft



Thank You for Choosing !

Our goal is to provide high quality outdoor furniture with outstanding customer service-all at an affordable price.

Please let us know how we are doing!

Problems?

We will fix it immediately.

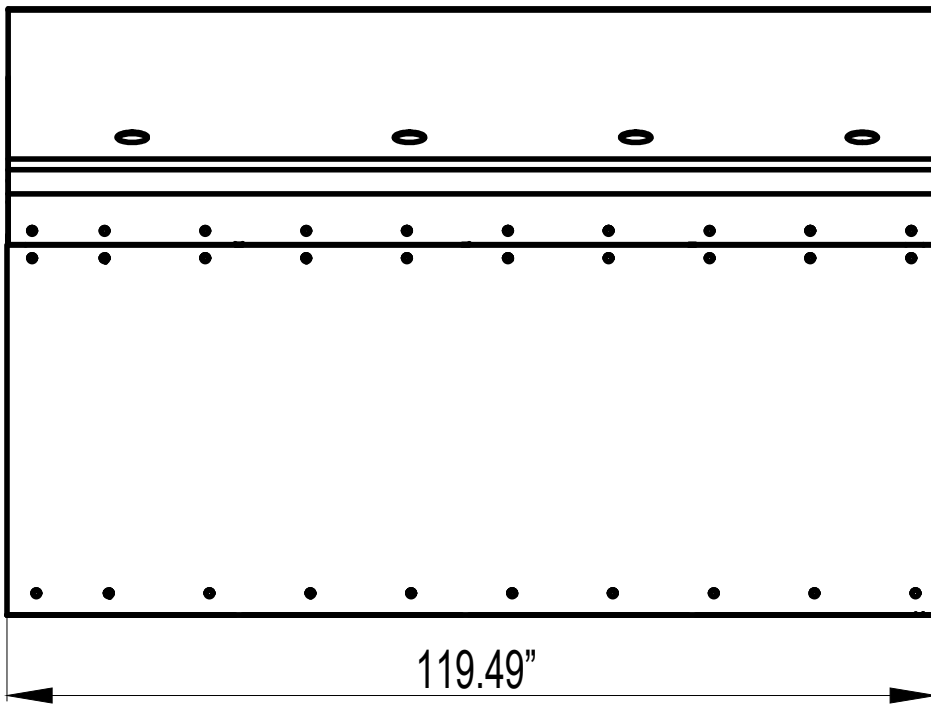
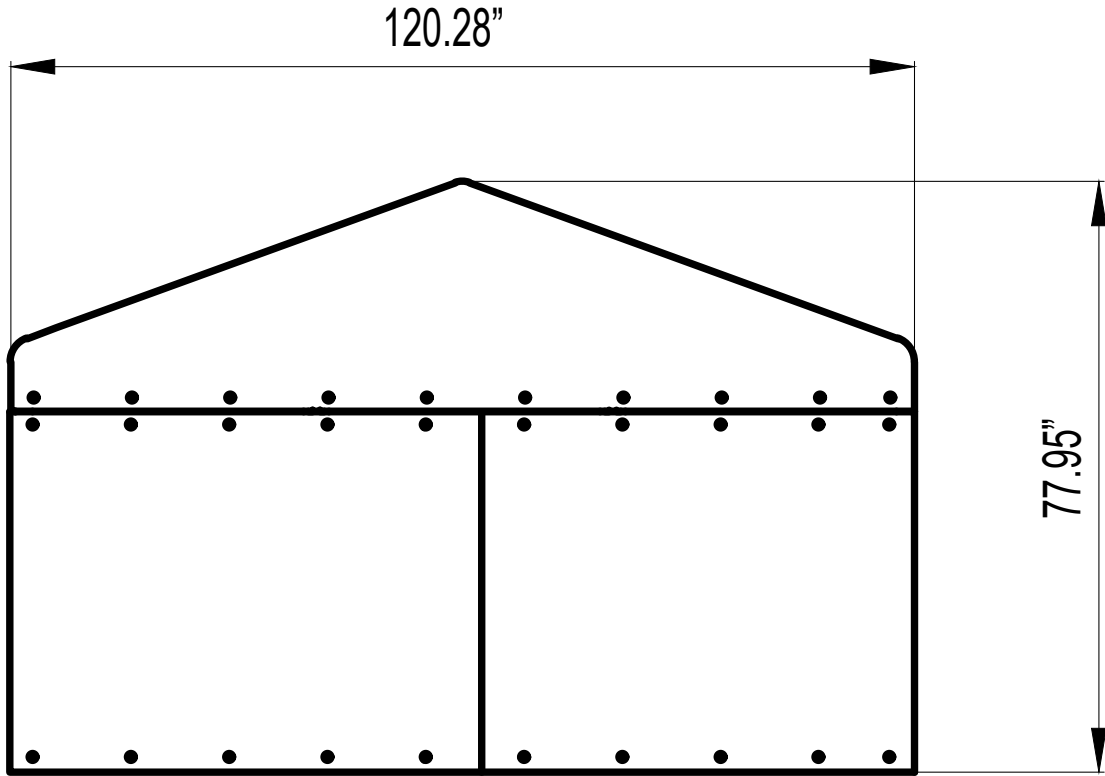
✉ **Servicer001@outlook.com**

As a valued customer, your satisfaction is our #1 priority!

Happy?

Please leave us a review on Amazon!

SPECIFICATIONS



CONTENTS

Specifications.....	1
Contents.....	2
Important.....	3
Parts List.....	4
Screw Set.....	6
Instruction.....	7

IMPORTANT

Note: Please prepare below tools before installation.

The following tools are not included and needed for assembly:

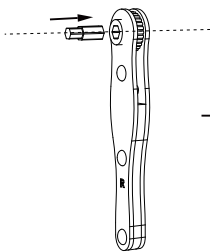


Pistol Drill



Tape Measure

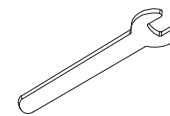
Package included Tools



Ratcheting wrench x1



Gloves x1 pair



Open-end wrench x2

Warning

We recommend two adults to complete the installation. Two adults installed together will make the installation process easier and safer.

The gloves must be carried to prevent hand cuts during installation.

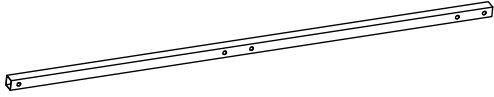
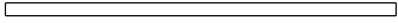



Take care when using power tools near water the use of a residual current device (RCD) is advised.

Please use the electric driver carefully during screwing to prevent the screw from slipping and hurting your hand. (We recommend that beginners use a manual screwdriver for installation.)



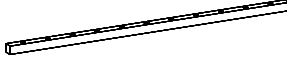




Be careful not to fall when installing the roof. Please steady the ladder and make sure the product placed on a flat ground.

PLEASE KEEP THIS INSTRUCTION FOR FUTURE REFERENCE.


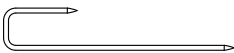



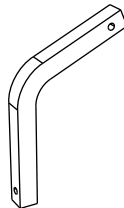
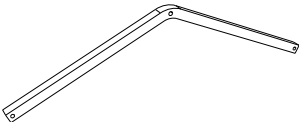

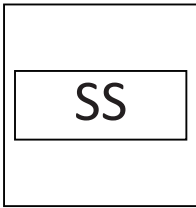
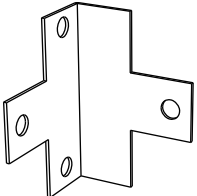
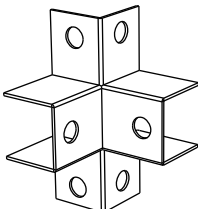
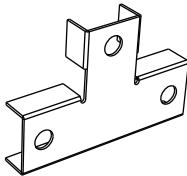
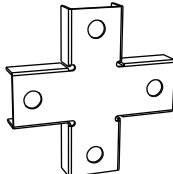
PARTS LIST BOX OF A

<p>(A) × 14</p> 		<p>(E) × 127</p> 	
Vertical Pipe		Insertion Tube	
<p>(D1) × 1</p> 	<p>(D2) × 1</p> 	<p>(J) × 10</p> 	
Gate	small gate	Diagonal bar	

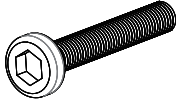
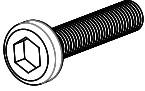


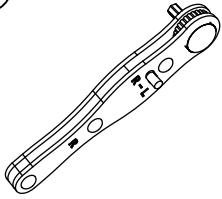

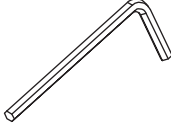
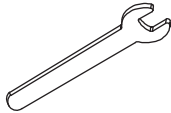




PARTS LIST BOX OF B

<p>(B1) × 16</p> 	<p>(B2) × 8</p> 	<p>(C1) × 10</p> 	<p>(C2) × 5</p> 
Left, Right, Upper and Lower Horizontal Pipes	Left, Right and Middle Horizontal Pipes	Front, Rear, Upper and Lower Horizontal Pipes	Front, Rear and Middle Horizontal Pipes
<p>(D) × 2</p> 	<p>(F1) × 9</p> 	<p>(F2) × 3</p> 	
Upper and Lower Horizontal Pipes of the Door	Horizontal Support Bar1	Horizontal Support Bar2	

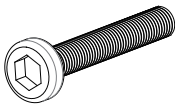

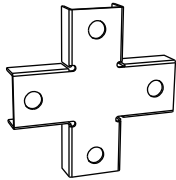

PARTS LIST BOX OF B

<p>(H) × 3</p> 	<p>(I) × 12</p> 	<p>(G1) × 1</p> 	
Top Vertical Support Tubes	Ground nails	Top Cloth Cover	
<p>(G2) × 8</p> 	<p>(L) × 4</p> 	<p>(M) × 10</p> 	
Covering cloth	Front and rear vertical support rods	Elbow tube	
<p>(N) × 5</p> 	<p>(U) × 3</p> 	<p>(SS) × 1</p> 	
Top support rod	U-groove	screw pack	
<p>(K1) × 12</p> 	<p>(K2) × 12</p> 	<p>(K3) × 4</p> 	<p>(K4) × 56</p> 
External corner connector	Interior corner connector	Tee connector	Four-way connector

PARTS LIST BOX OF B

(X) × 4  Bolt M6×45	(Q) × 189  Bolt M6×35	(R) × 180  Washer Nut	(T) × 120  Pull Cord
(O) × 1  Ratche Spanner	(Y) × 1  Gloves	(W) × 1  Spanner	(V) × 2  Wrench
(S) × 2  Bolt M6×40	(P) × 14  Square pipe plug	(Z1) × 2  8MM	(Z2) × 2  3MM

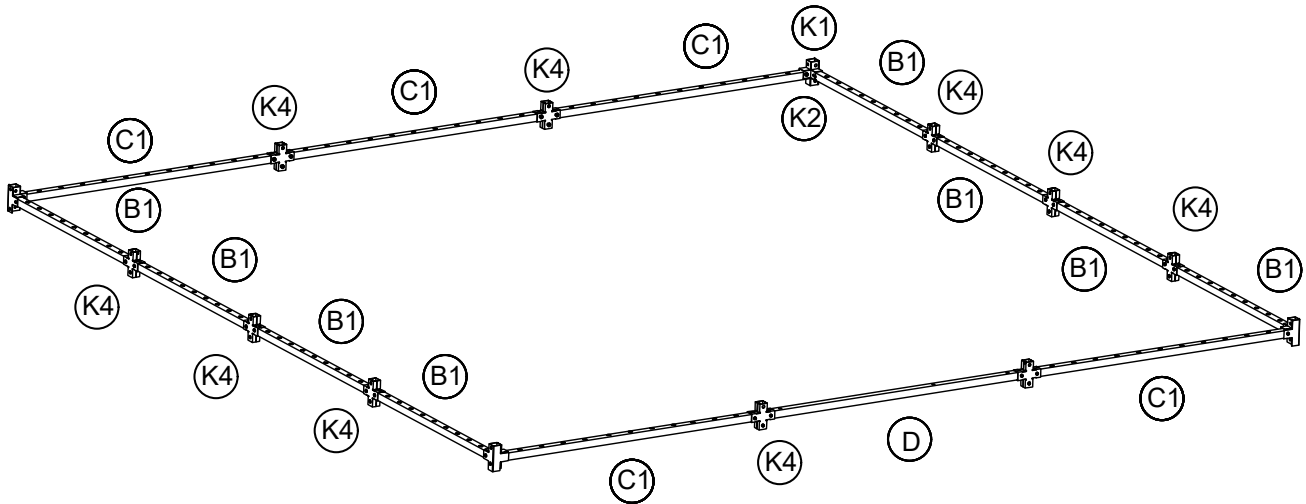
spare parts

(Q) × 10  Bolt M6×35	(R) × 10  Washer Nut	(K4) × 2  Four-way connectors	(T) × 2  Pull Cord
---	---	---	---

WARNING: Failure to locate parts in accordance with these diagrams, or failure to use special parts provided with this equipment, may result in property damage or personal injury.

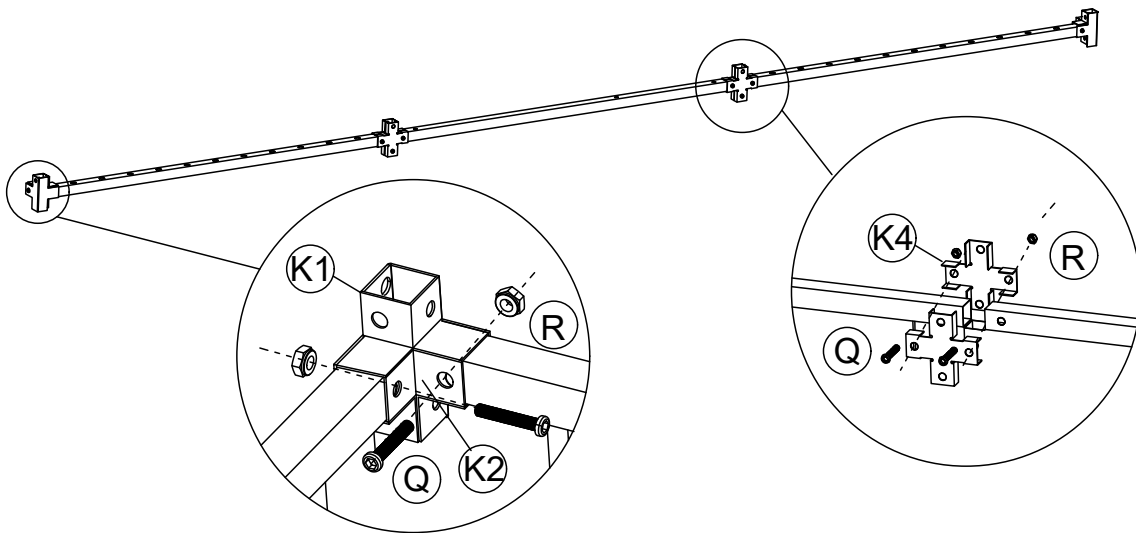
Step 1


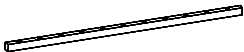

This is the installation drawing of the lowermost pipe.

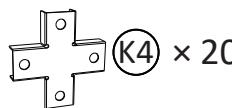
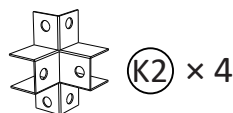
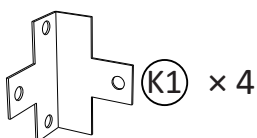


Step 2

Connect part **B1** to part **K4**, and fasten them with screws **Q** and nuts **R**.
 Connect part **C1** to part **K4**, and fasten them with screws **Q** and nuts **R**.
 Connect parts **C1**, **D**, and **K4** together, and fasten them with screws **Q** and nuts **R**.
 For the four corner positions, use parts **K1** and **K2** to connect them, and secure with screws **Q** and nuts **R**.

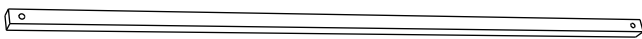
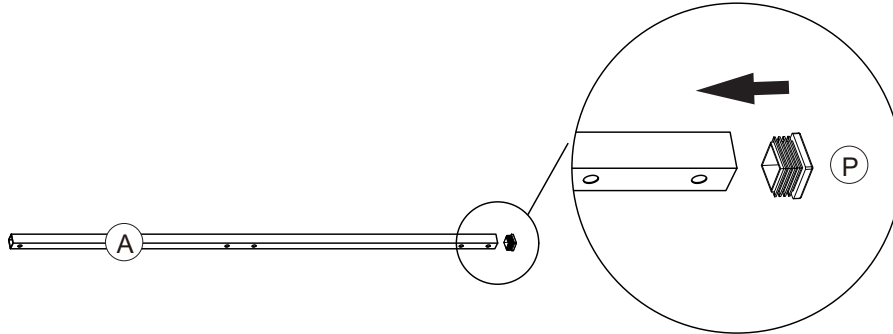


		
B1 × 8	C1 × 5	D × 1



Step 3

Drive the rubber plug (**Part P**) into the nozzle/opening of (**Part A**), as shown in the diagram.



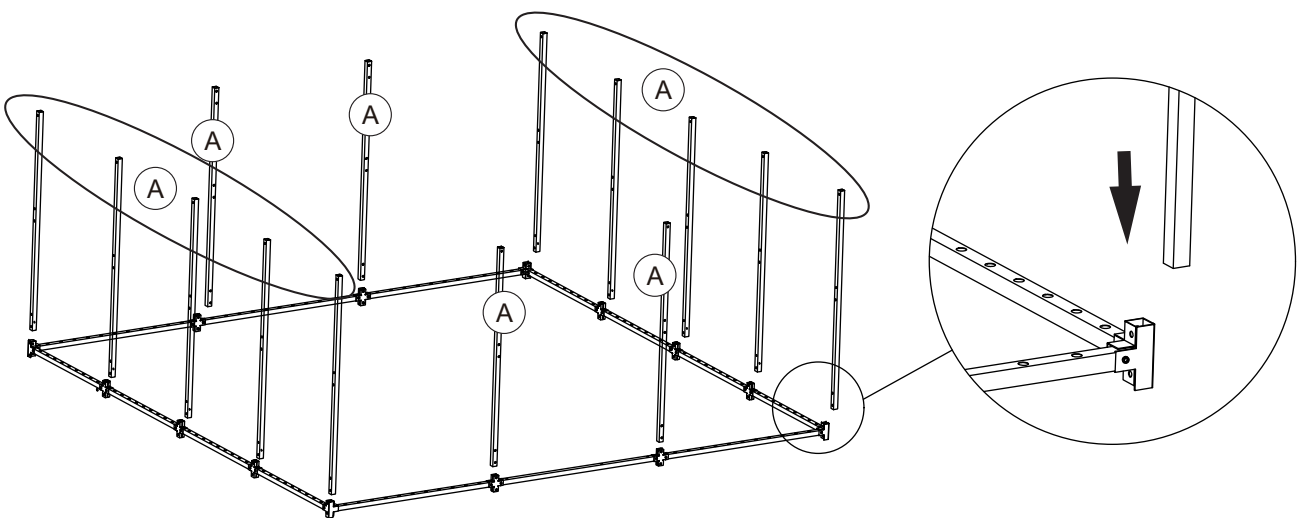
(A) × 14



(P) × 14

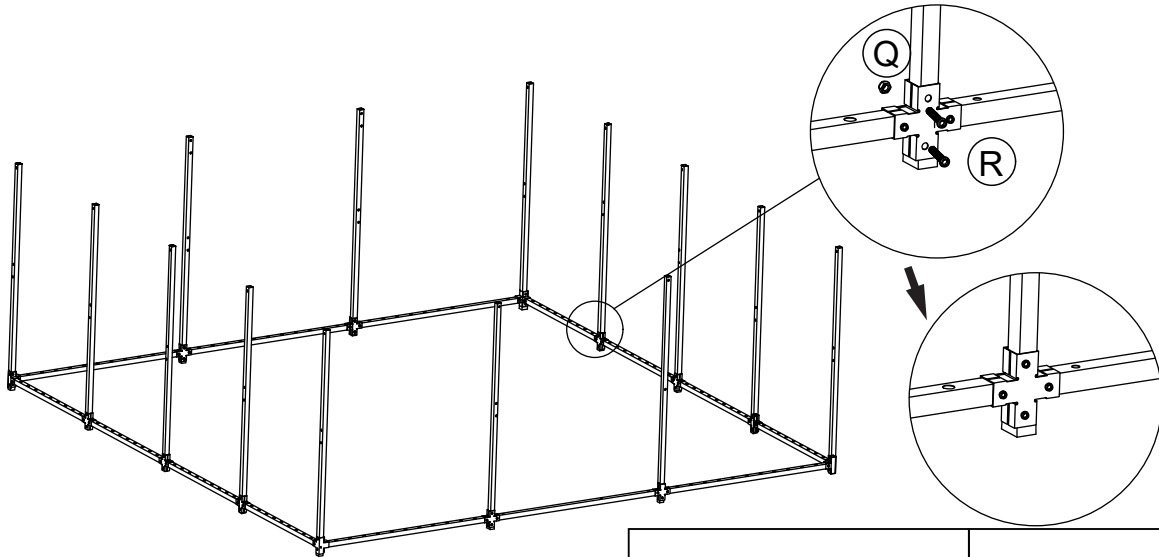
Step 4

Insert Part A into each connection joint.



Step 5

Fasten Part **A** securely with screws **Q** and nuts **R**.



Q x28



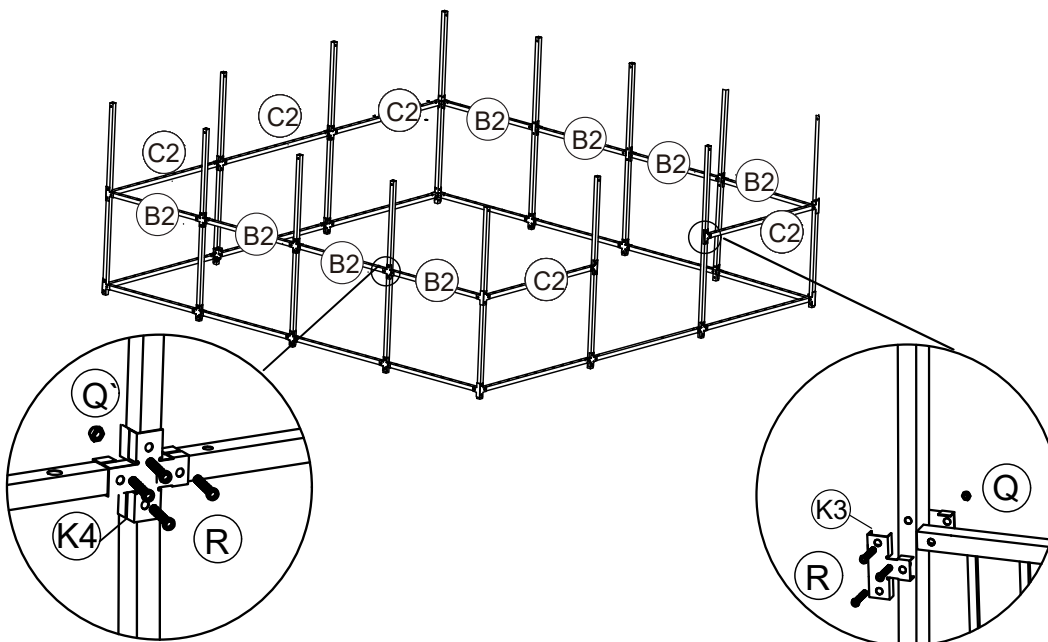
R x 28

Step 6

Arrange Part **B2** and Connector **K4** as shown in the diagram, then fasten and secure them with Screws **Q** and Nuts **R**.

Arrange Part **C2** and Connector **K3** as shown in the diagram, then fasten and secure them with Screws **Q** and Nuts **R**.

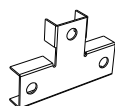
Install all the surrounding components in the sequence indicated in the diagram.



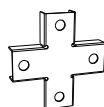
B2 x 8



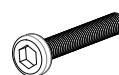
C2 x 5



K3 x 4



K4 x 16



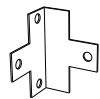
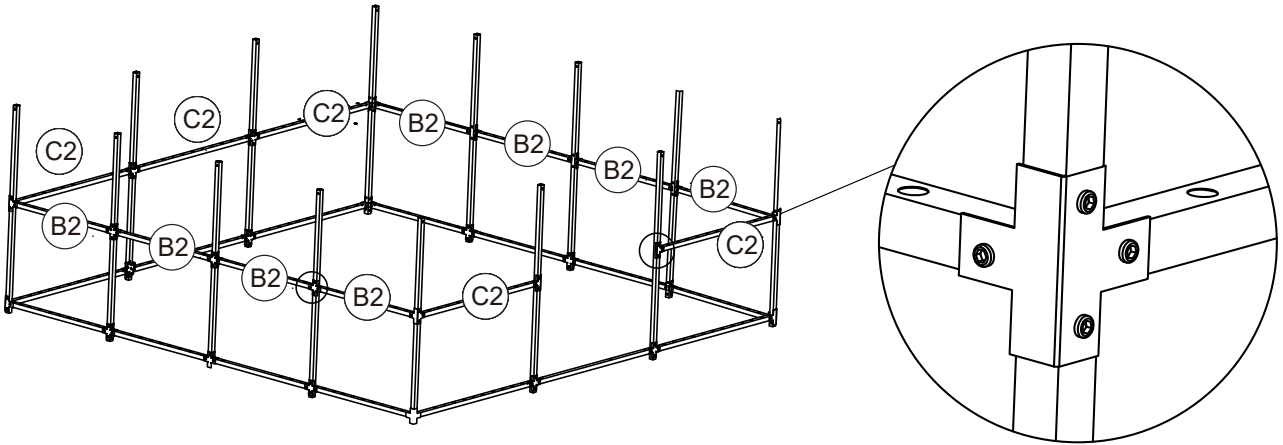
Q x 38



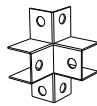
R x 38

Step 7

Connect the four corners using connectors **K1** and **K2**, then fasten and lock them with screws **Q** and nuts **R**.



K1 × 4



K2 × 4



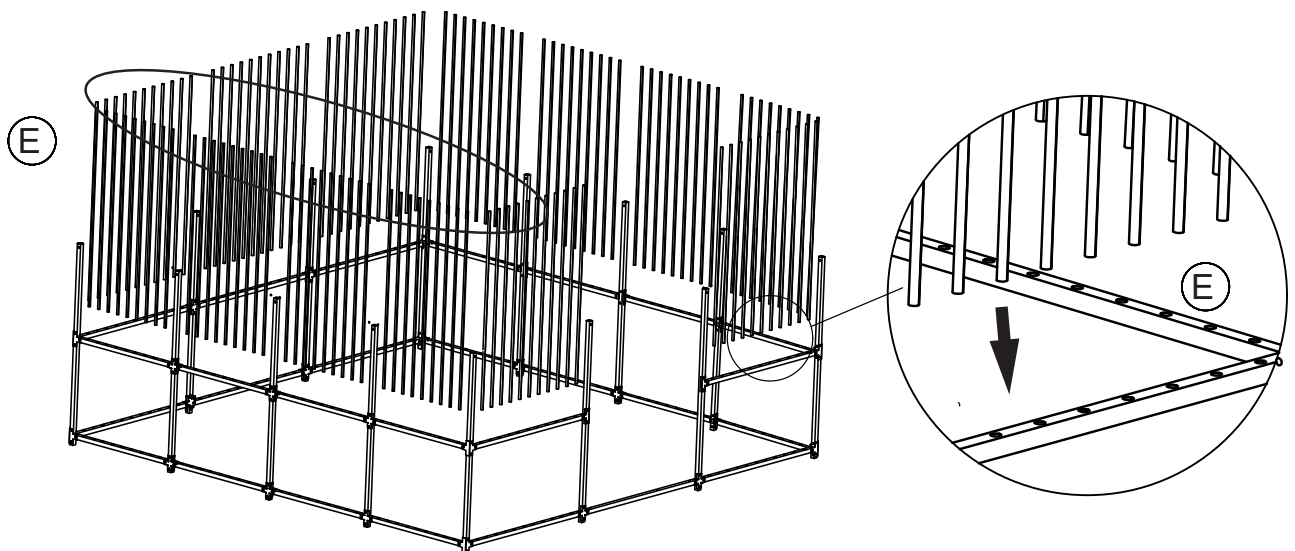
Q × 16



R × 16

Step 8




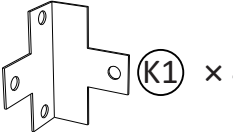
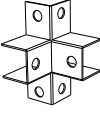
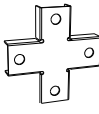



Insert Part **E** into the hole of each component, as shown in the diagram.



E × 127

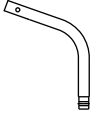
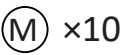


Step 9

Arrange Part **B1** and Connector **K4** as shown in the diagram, then fasten and secure them with Screws **Q** and Nuts **R**.
 Arrange Part **C2** and Connector **K3** as shown in the diagram, then fasten and secure them with Screws **Q** and Nuts **R**.
 Install all the surrounding components in the sequence indicated in the diagram.
 Use Connectors **K1** and **K2** to join the four corners, and fasten and lock them with Screws **Q** and Nuts **R**.

					
B1 × 8	C1 × 5	D × 1			
					
K1 × 4	K2 × 4	K3 × 20	K4 × 20	Q × 42	R × 42

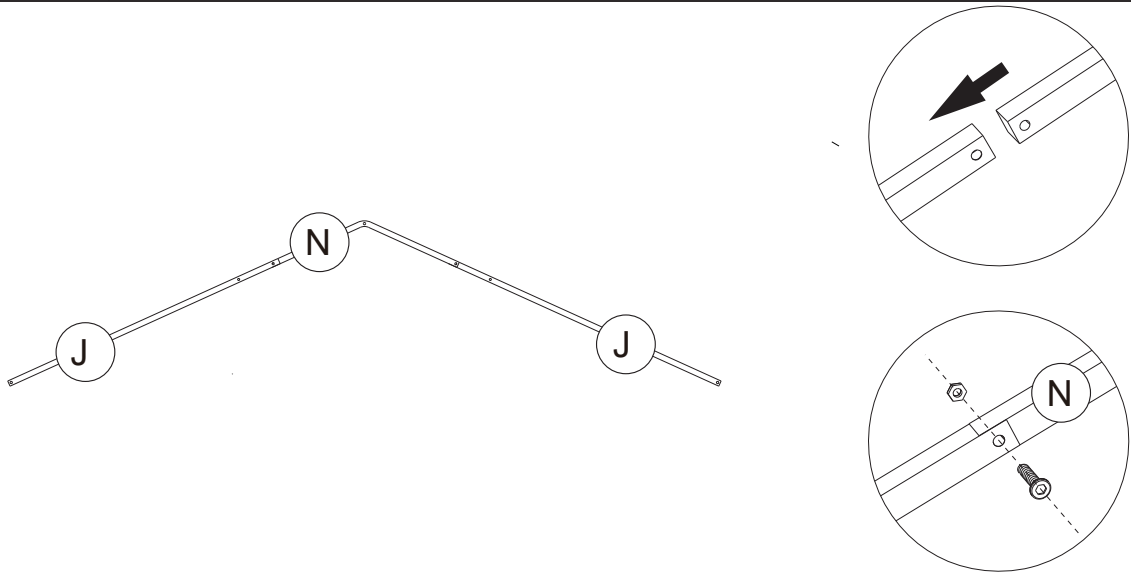
Step 10

Insert Part **H** into the nozzle/opening of each connector as shown in the diagram, then fasten and secure it with screws **Q** and nuts **R**.

			
M × 10	Q × 10	R × 10	

Step 11

Insert Part **N** into Part **J** as shown in the diagram, then fasten and secure them with screws **Q** and nuts **R**.



J × 10



N × 5



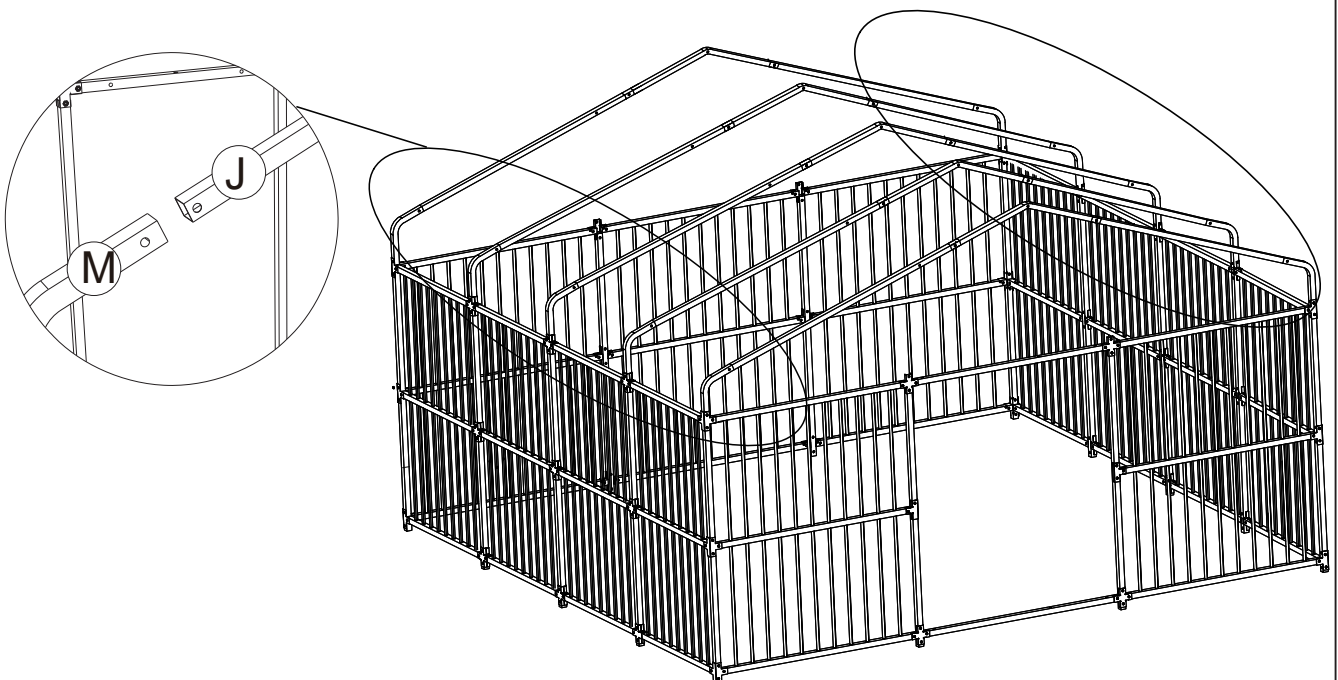
Q × 10



R × 10

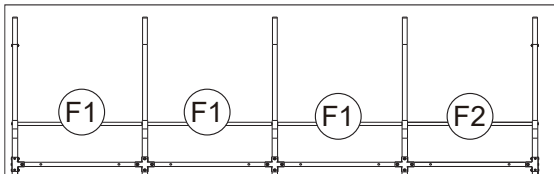
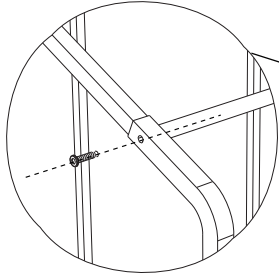
Step 12

Insert the component installed in **Step 11** into Part **M** as shown in the diagram.

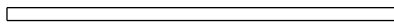


Step 13

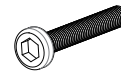
Install Parts **F1** and **F2** in sequence as shown in the diagram, and fasten both ends with Screws **Q**.



F1 × 6



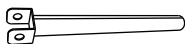
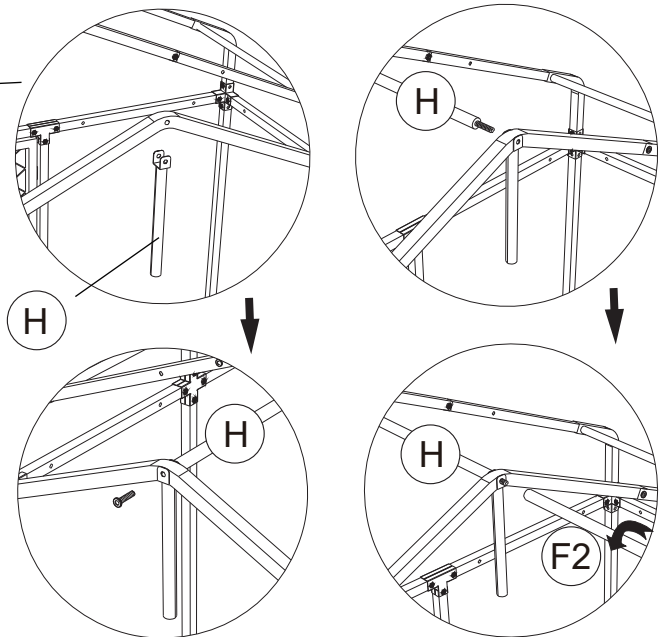
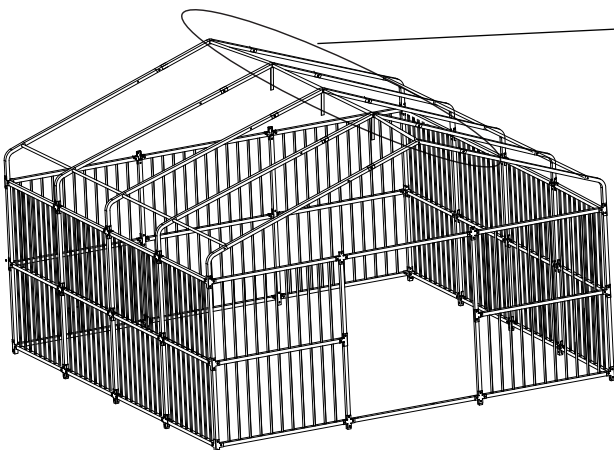
F2 × 2



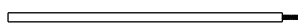
Q × 4

Step 14

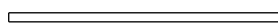
Install Parts **F1** and **F2** in the specified sequence as shown in the diagram, and fasten both ends with Screws **Q**.



H × 3



F1 × 3



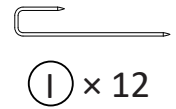
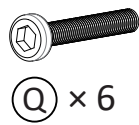
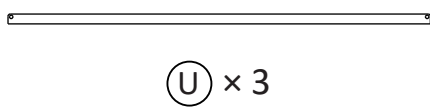
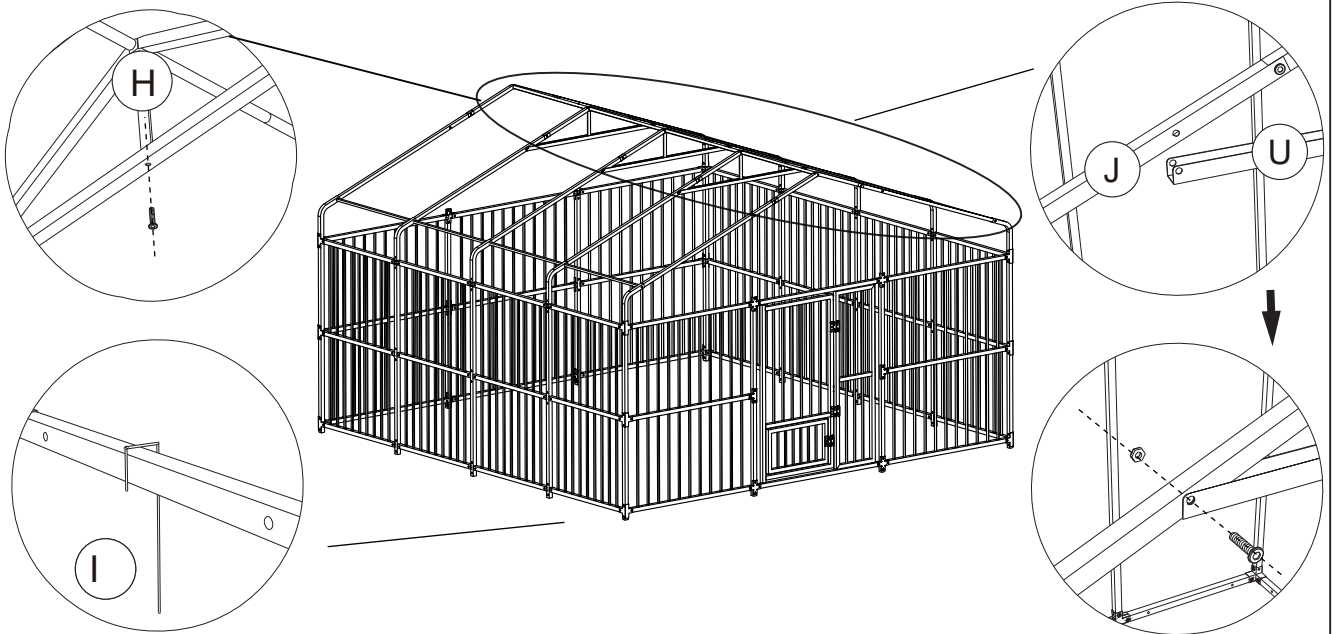
F2 × 1



Q × 2

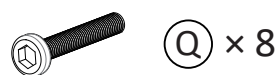
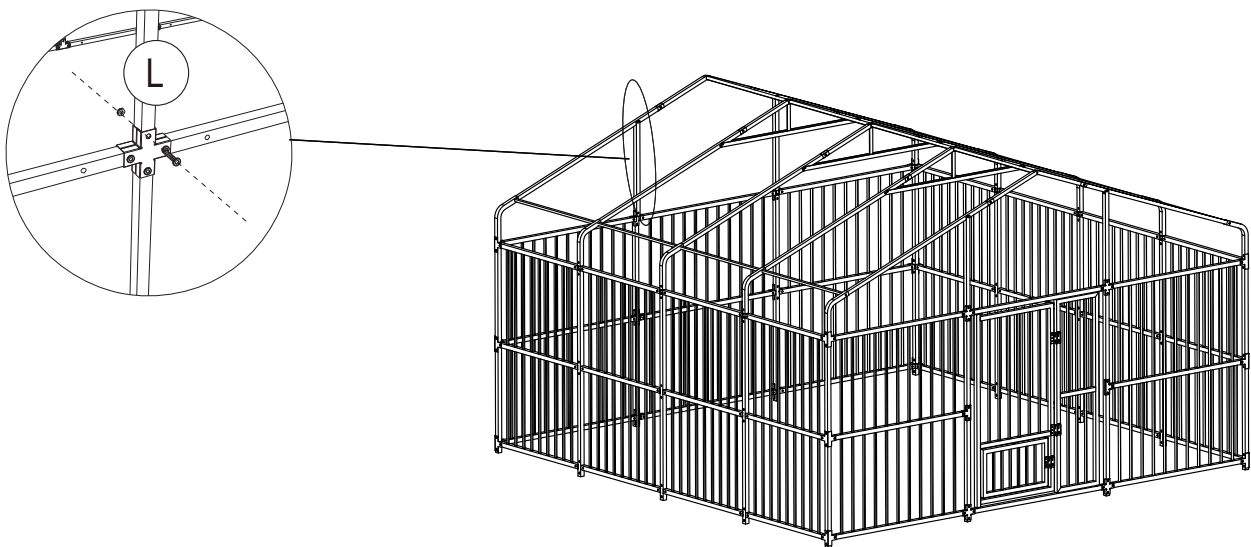
Step 15

Position Part **U** according to the diagram, fix it in place with Screws **Q** and Nuts **R**, and then secure Part **H** tightly at the middle of Part **U** using a Screw **Q**.



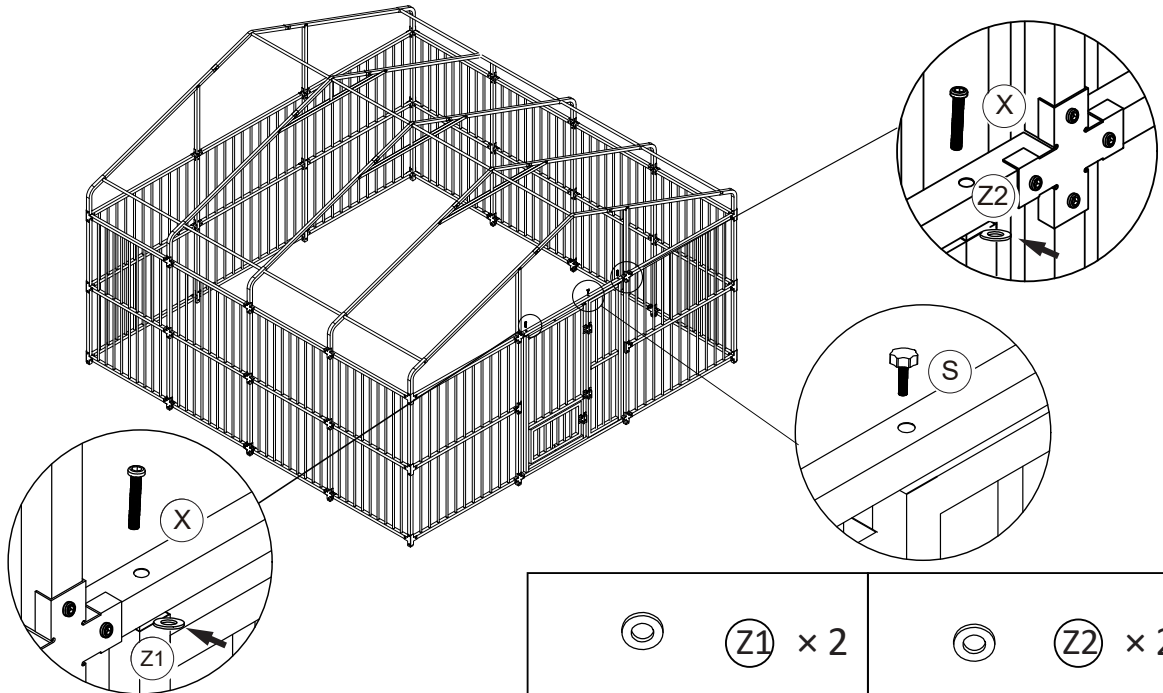
Step 16

Arrange Part **L** as shown in the diagram and fasten it tightly with Screws **Q** and Nuts **R**.



Step 17

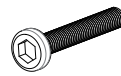
Arrange Part **D1** as shown in the diagram and fasten it with Screws **C** and Washers **Z1**. Arrange Part **D2** as shown in the diagram and fasten it with Screws **C** and Washers **Z2**. Use Torx Screws **S** to secure [the assembly/ relevant components] when not in use



D1 × 1



D2 × 1



X × 4



S × 2



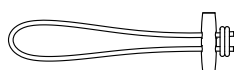
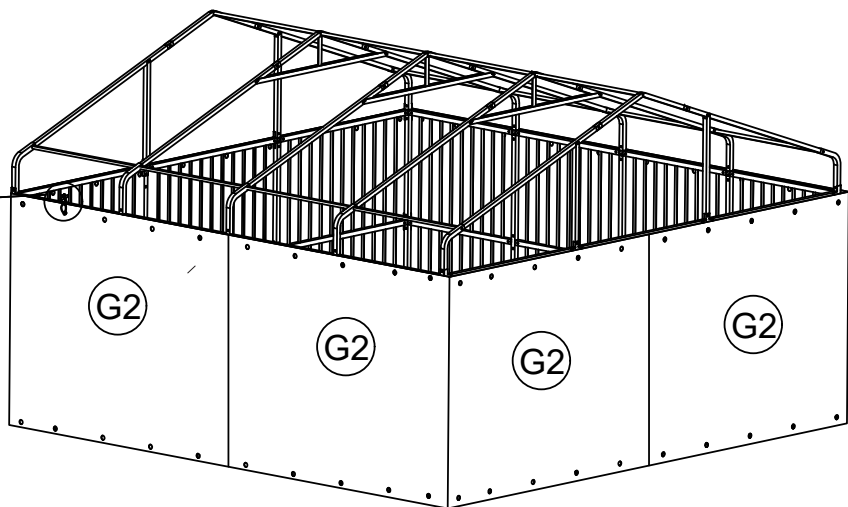
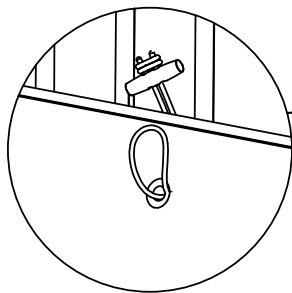
Z1 × 2



Z2 × 2

Step 18

Secure the surrounding cloth **G2** to Part **T** as shown in the diagram.



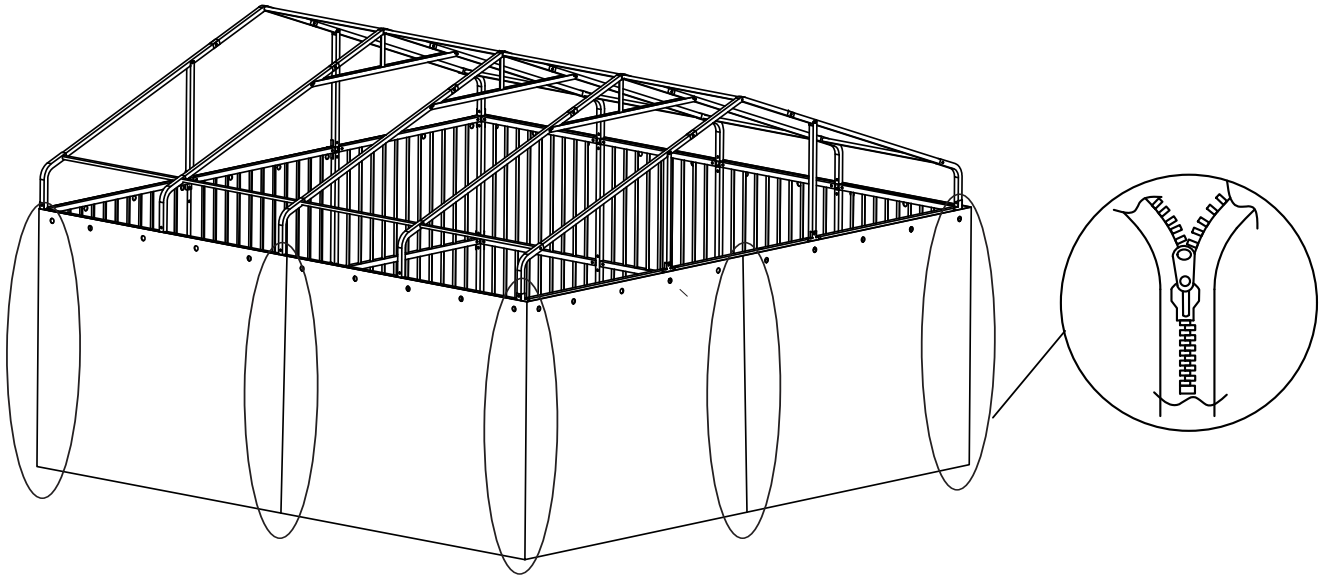
T × 80



G2 × 8

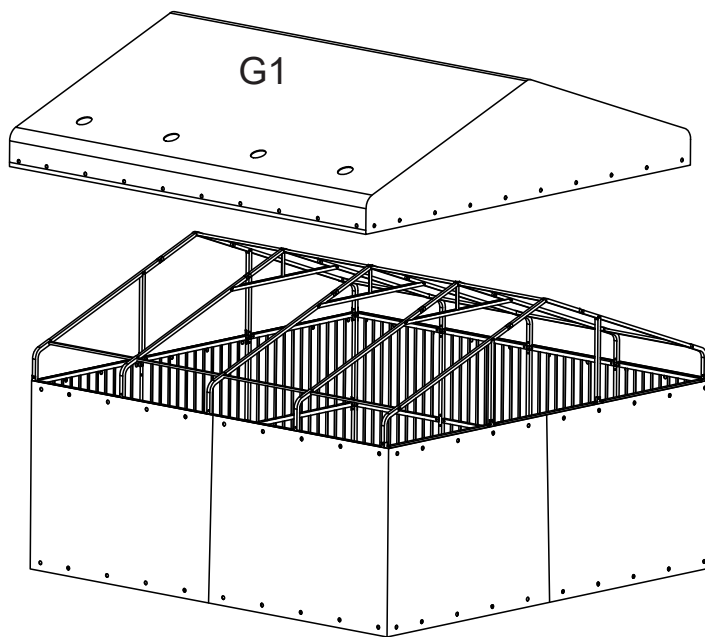
Step 19

Zip up the zippers between the enclosure fabrics according to the diagram.



Step 20

Cover the tarpaulin (G1) over the top of the dog cage.



(G1) × 1

Step 21

Secure the back top **G1** to Part **T** as shown in the diagram

