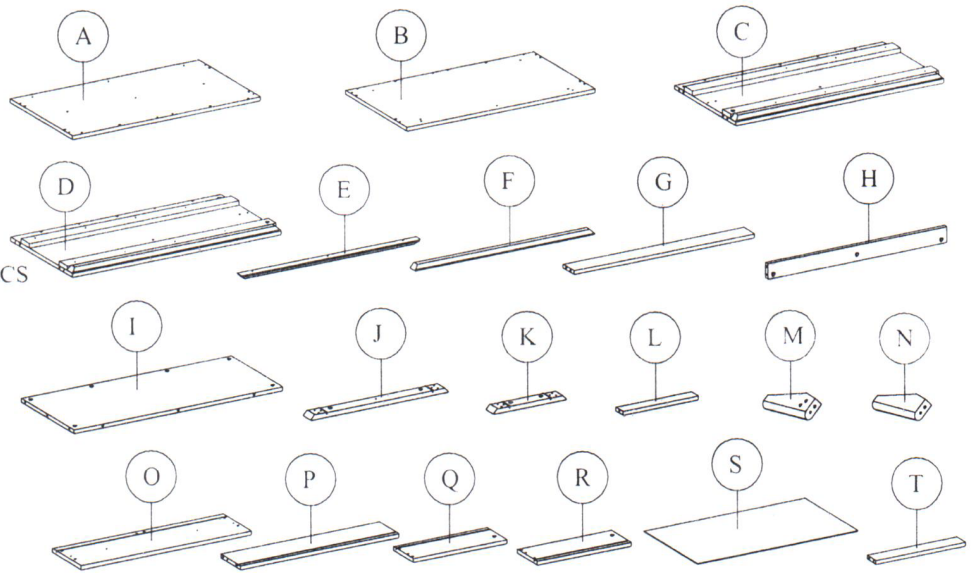


4-DRW CHEST ASSEMBLY INSTRUCTIONS

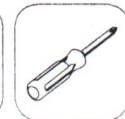
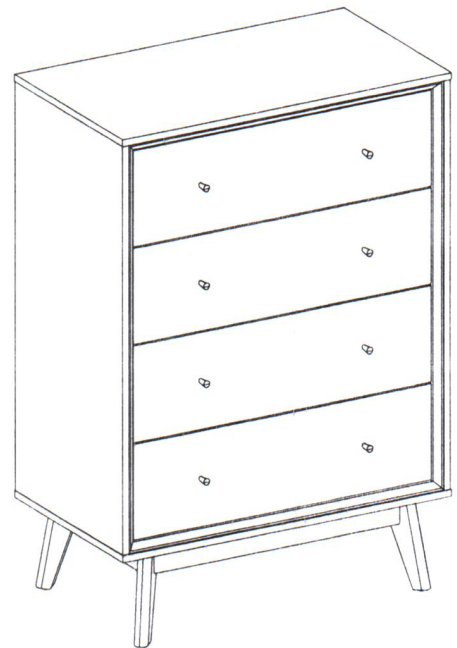
- A TOP 1 PC
- B BASE 1 PC
- C SIDE PANEL - L 1 PC
- D SIDE PANEL - R 1 PC
- E TOP APRON 1 PC
- F BOTTOM APRON 1 PC
- G STRETCHER 1 PC
- H TOP SUPPORT BAR 1 PC
- I BACK PANEL 2 PCS
- J BASE FRONT/BACK SUPPORT 2 PCS
- K BASE SIDE SUPPORT 2 PCS
- L BASE SUPPORT BAR 1 PC
- M LEG - L 2 PCS
- N LEG - R 2 PCS
- O DRAWER FACE 4 PCS
- P DRAWER BACK 4 PCS
- Q DRAWER SIDE - L 4 PCS
- R DRAWER SIDE - R 4 PCS
- S DRAWER BASE 4 PCS
- T DRAWER SUPPORT 4 PCS



HARDWARE PACKED IN BOX

No	Description	Photo	Quantity
1	CAM LOCK		44 PCS
2	CAM BOLT		44 PCS
3	CAM COVER STICKER (20 MM)		44 PCS
4	DOWEL (8 x 32 MM)		81 PCS
5	PHILLIPS HEAD SCREW (10 x 33.5 MM)		16 PCS
6	PHILLIPS HEAD SCREW (6 x 8 MM)		16 PCS
7	PHILLIPS HEAD SCREW (10 x 25 MM)		6 PCS
8	ALLEN BOLT (6 x 60 MM)		4 PCS
9	PHILLIPS HEAD SCREW (6 x 13 MM)		24 PCS
10	PAN HEAD SCREW (4 x 10 MM)		24 PCS
11	DRAWER GLIDE SET		4 PCS
12	ALLEN KEY (M4)		1 PC
13	PAN HEAD SCREW (3 x 12 MM)		2 PCS
14	ANTI TIPPING RESTRAINT		1 PC
15	FLAT WASHER (6 MM)		4 PCS
16	KNOB		8 PCS
17	PAN HEAD SCREW (4 x 20 MM)		8 PCS
18	BARREL NUT		8 PCS
19	CORNER BRACE		4 PCS
20	PAN HEAD SCREW (6 x 30 MM)		4 PCS
21	LOCK WASHER (6 MM)		4 PCS

4-DRW CHEST FULLY ASSEMBLED

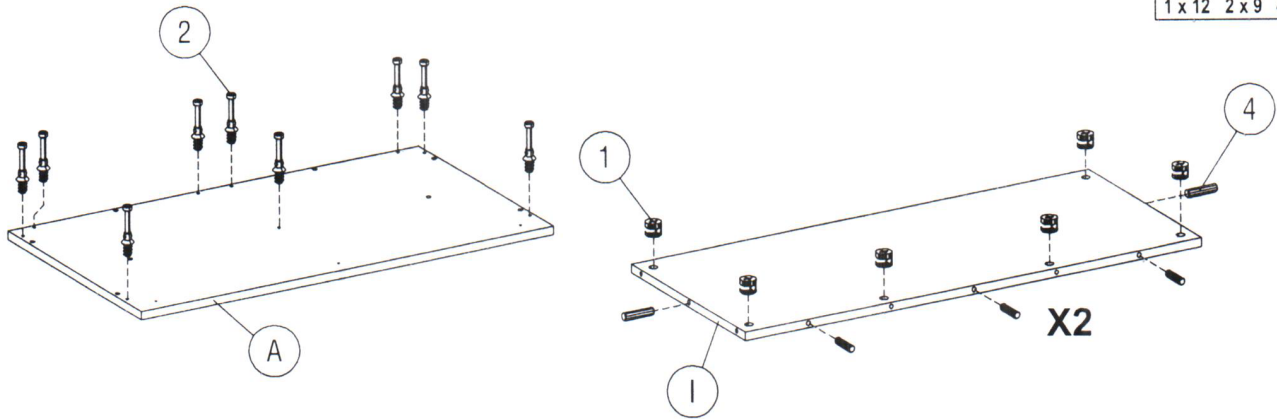


NOT PROVIDED

4-DRW CHEST ASSEMBLY INSTRUCTIONS

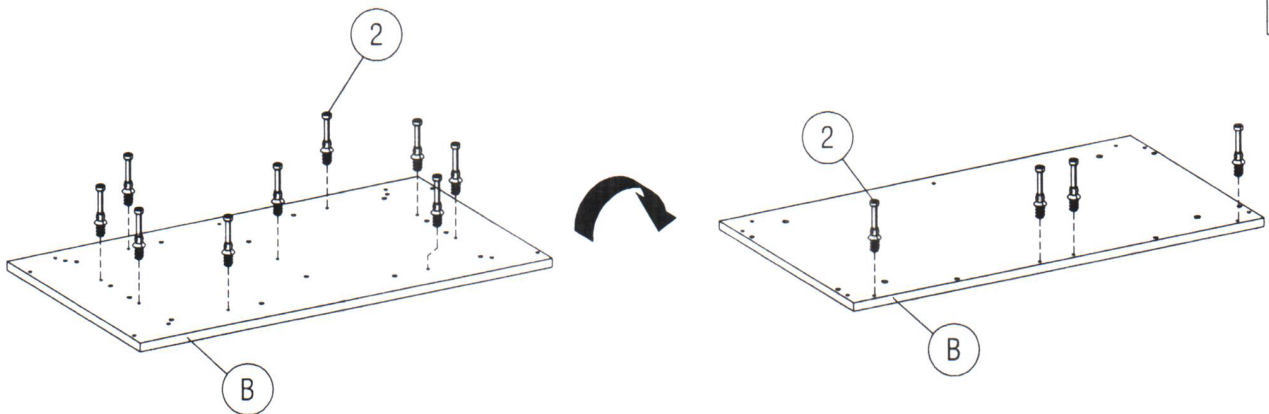
STEP 1 :


1 x 12 2 x 9 4 x 10




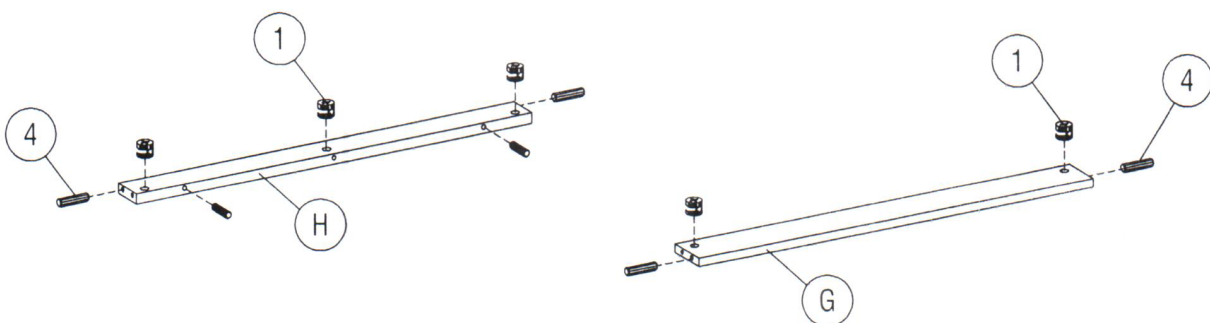
STEP 2 :


2 x 13



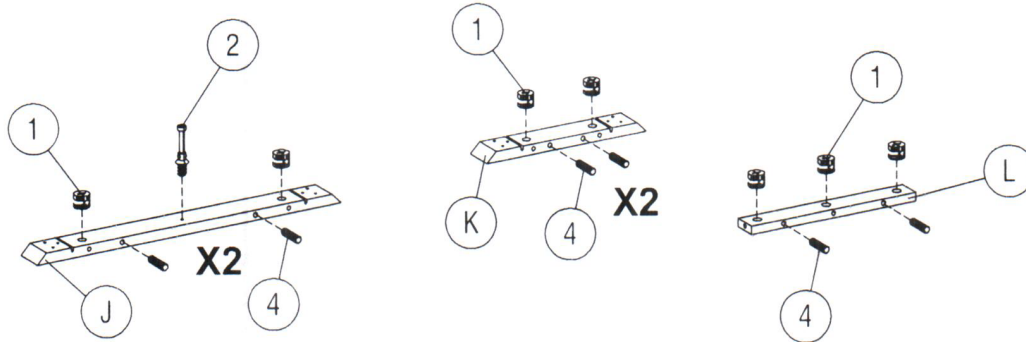
STEP 3 :


1 x 5 4 x 6

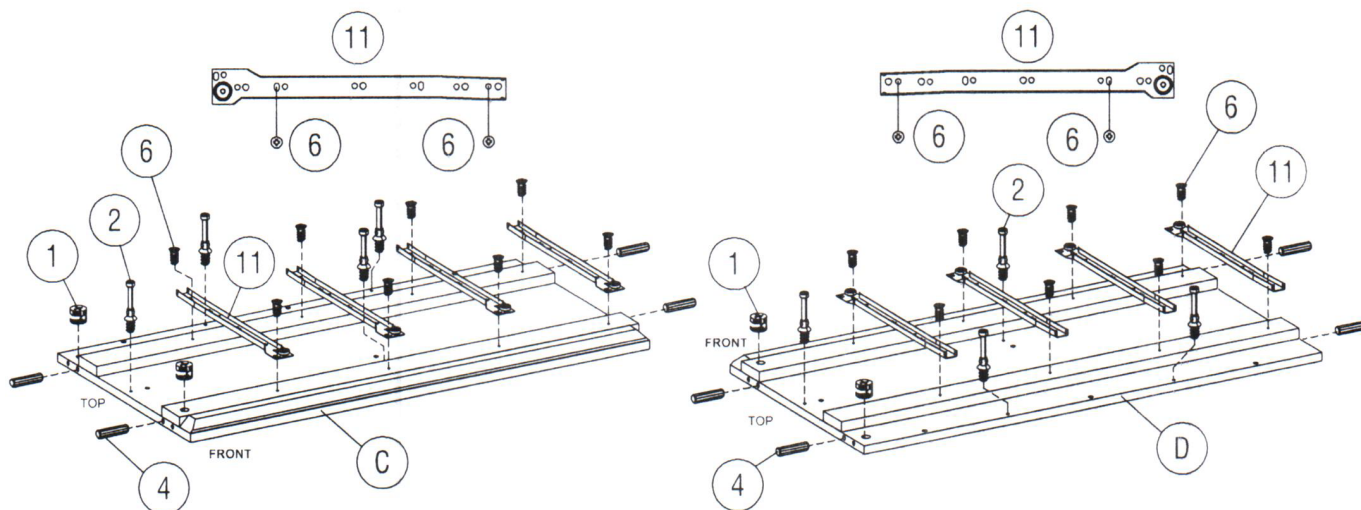


4-DRW CHEST ASSEMBLY INSTRUCTIONS

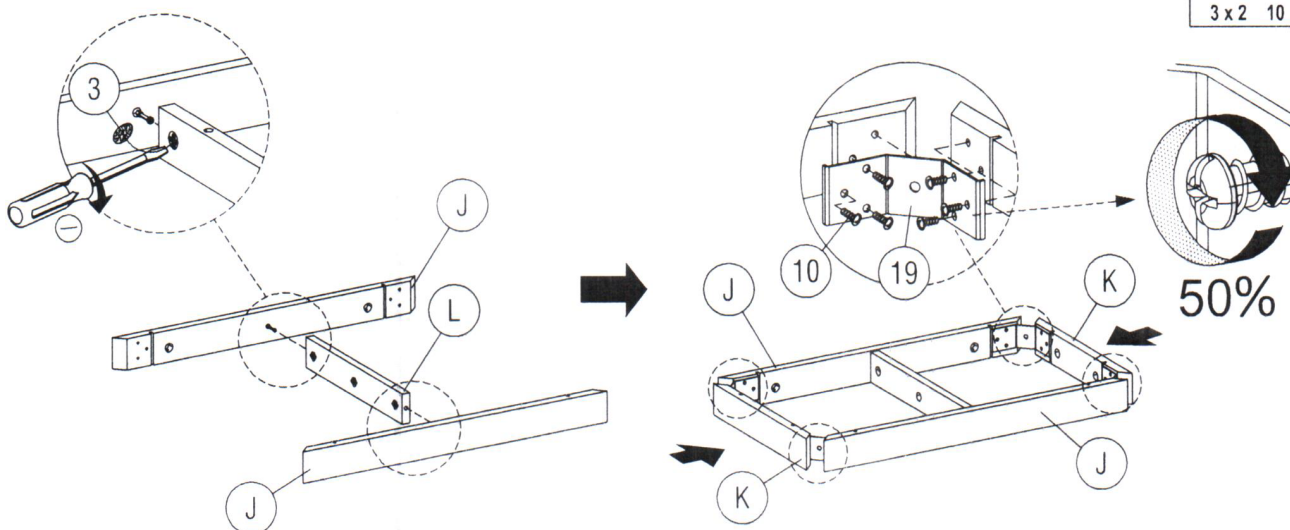
STEP 4 :



STEP 5 :

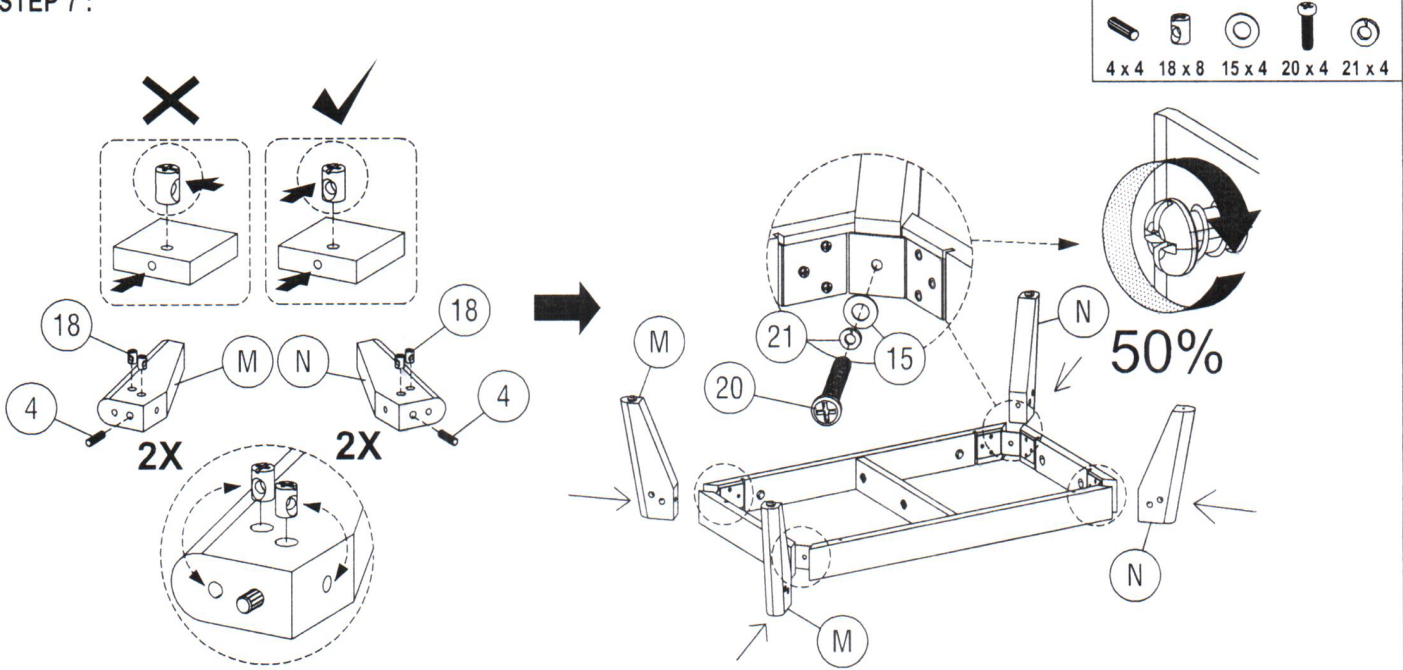


STEP 6 :

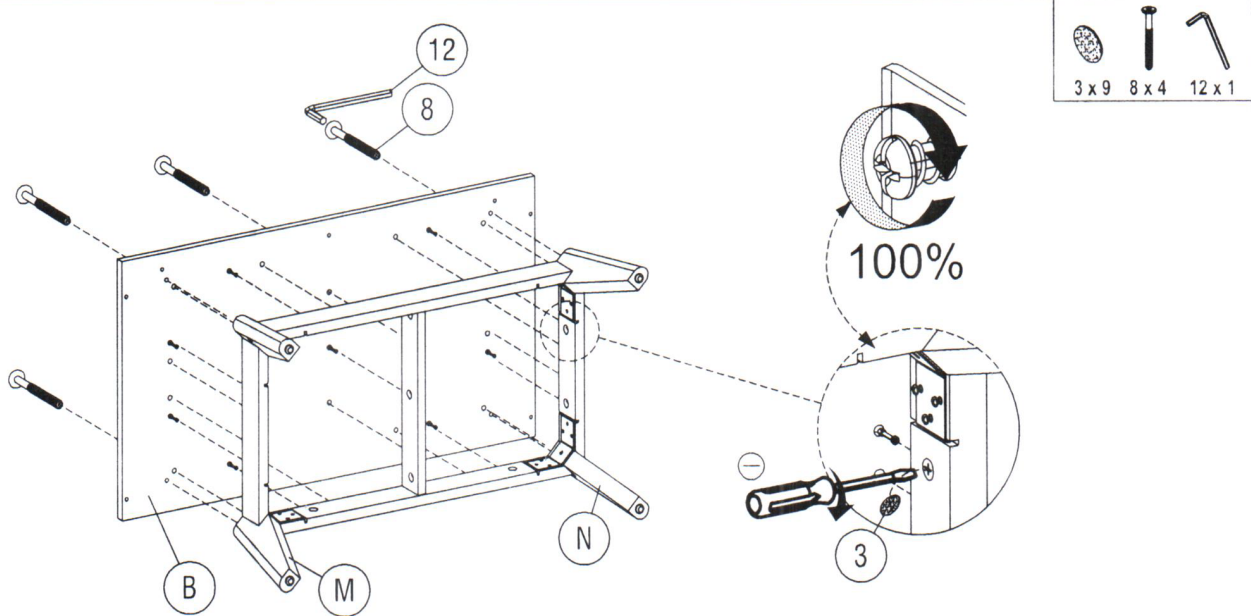


4-DRW CHEST ASSEMBLY INSTRUCTIONS

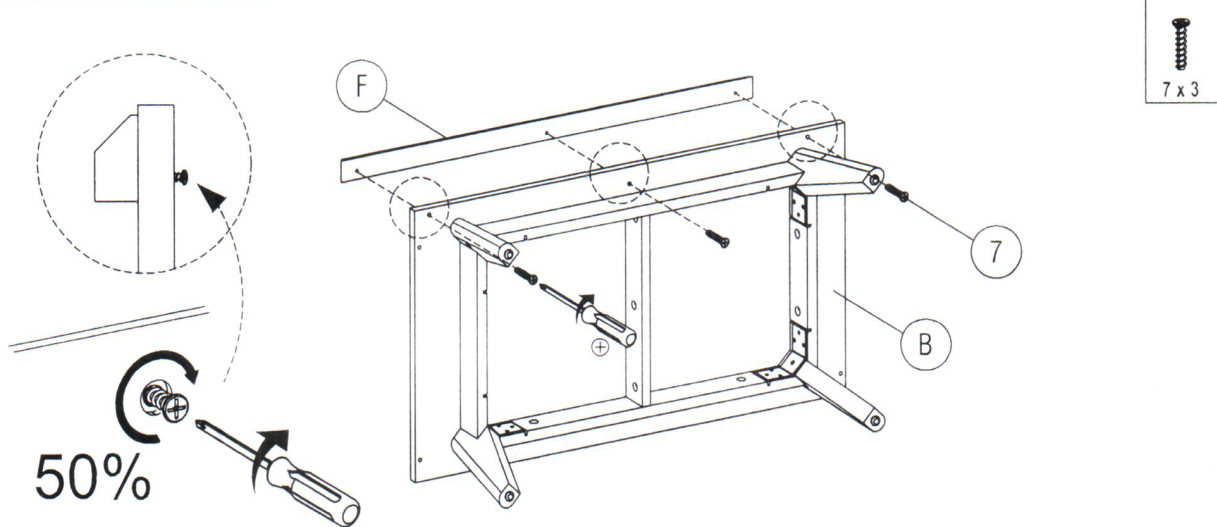
STEP 7 :



STEP 8 :



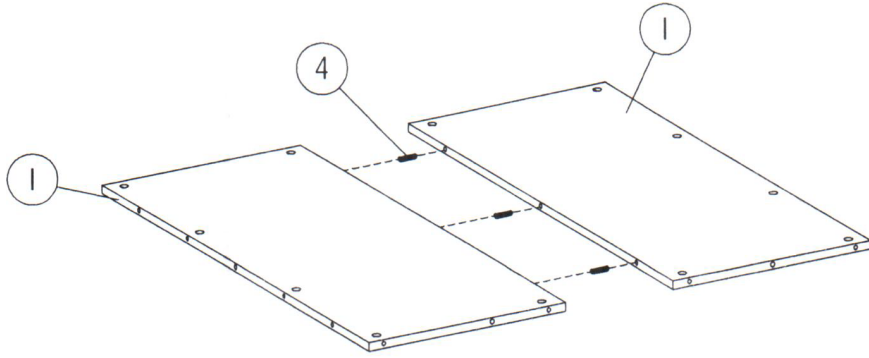
STEP 9 :



4-DRW CHEST ASSEMBLY INSTRUCTIONS

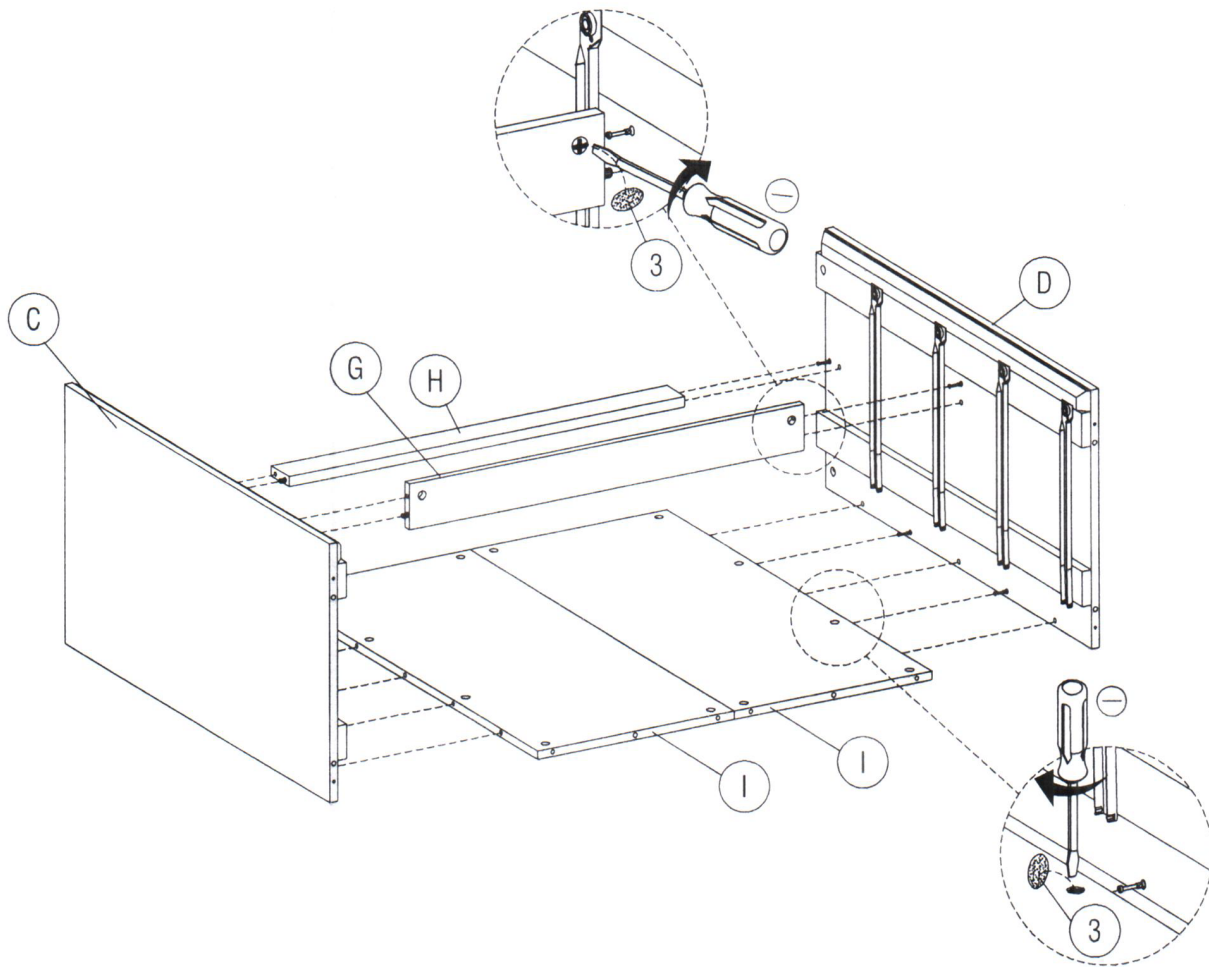
STEP 10 :


4 x 3



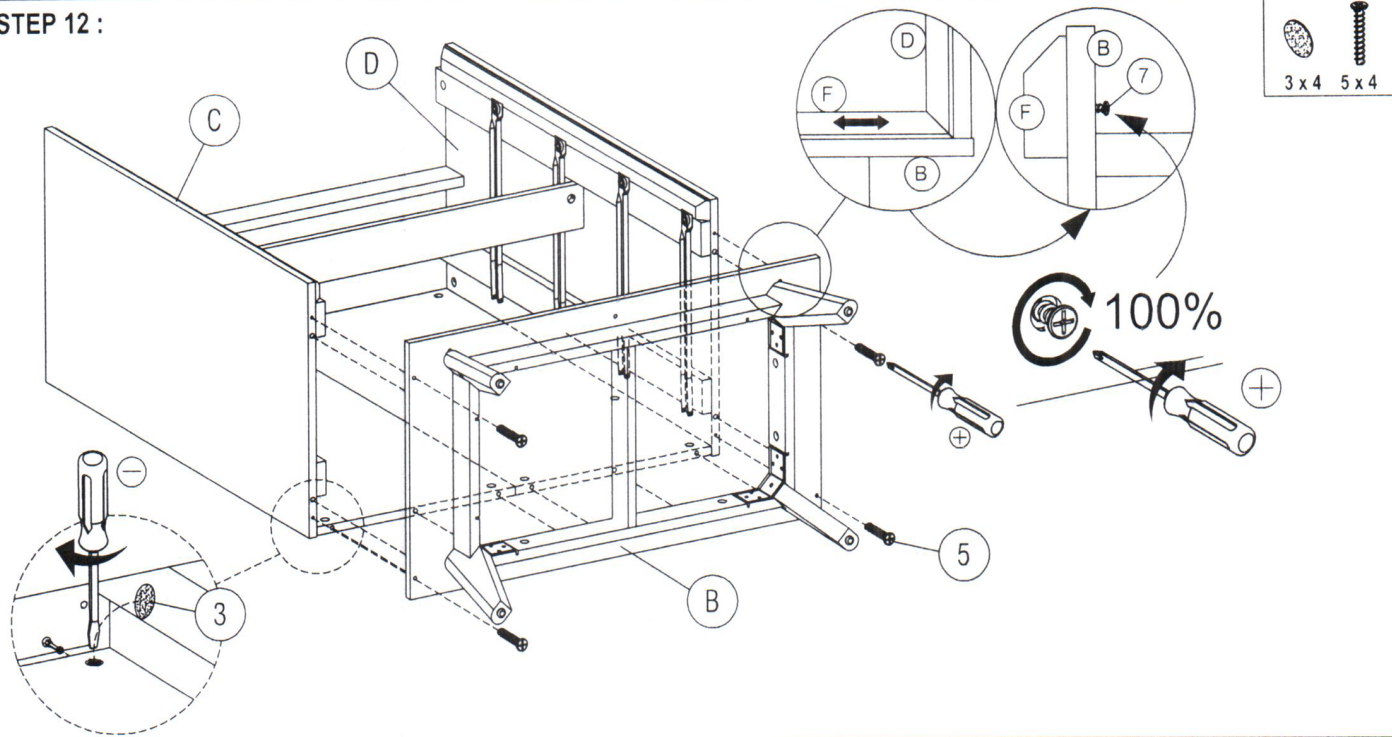
STEP 11 :


3 x 8

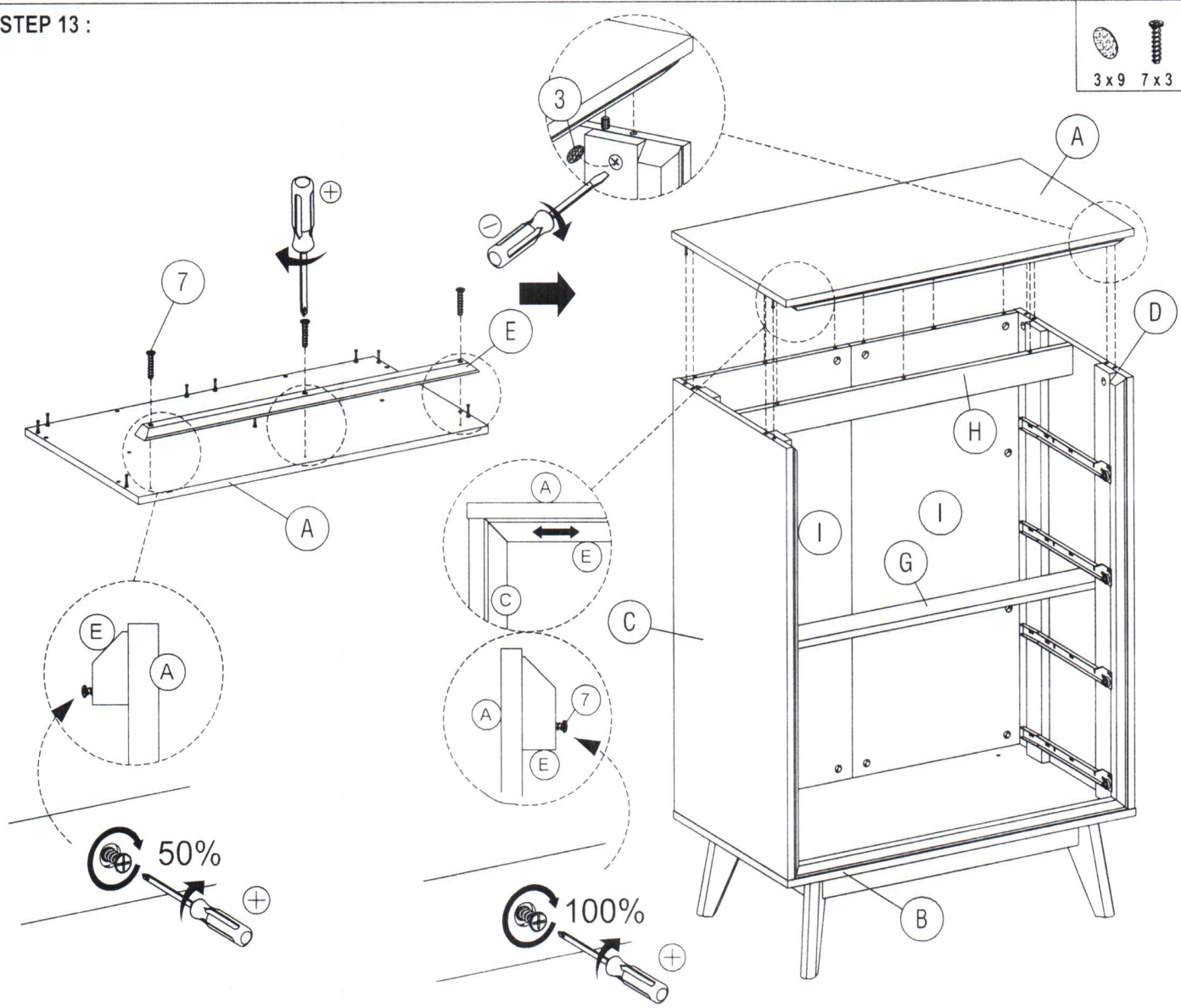


4-DRW CHEST ASSEMBLY INSTRUCTIONS

STEP 12 :

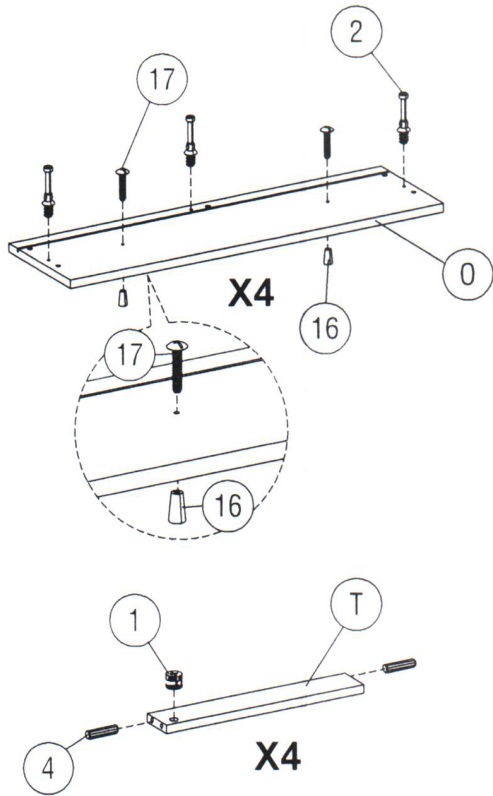
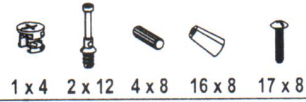


STEP 13 :

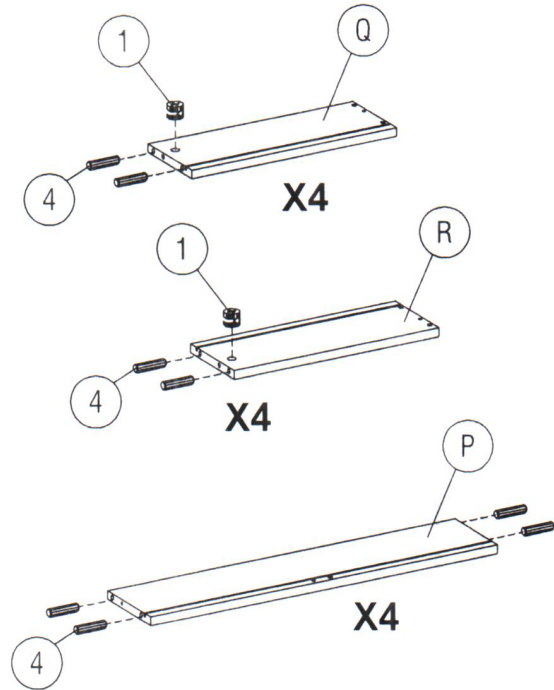


4-DRW CHEST ASSEMBLY INSTRUCTIONS

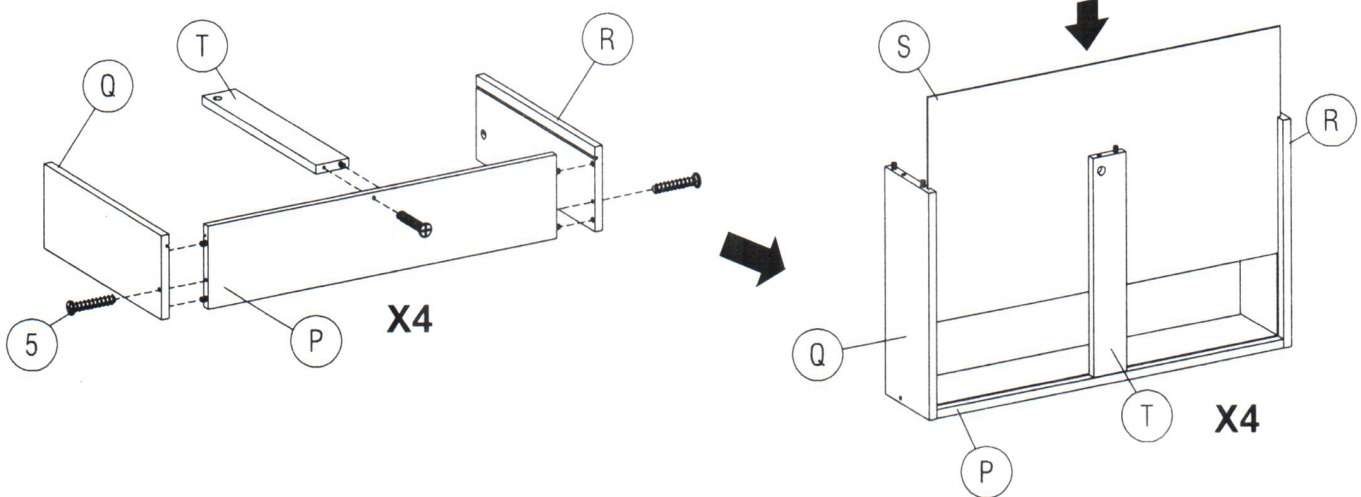
STEP 14 :



STEP 15 :



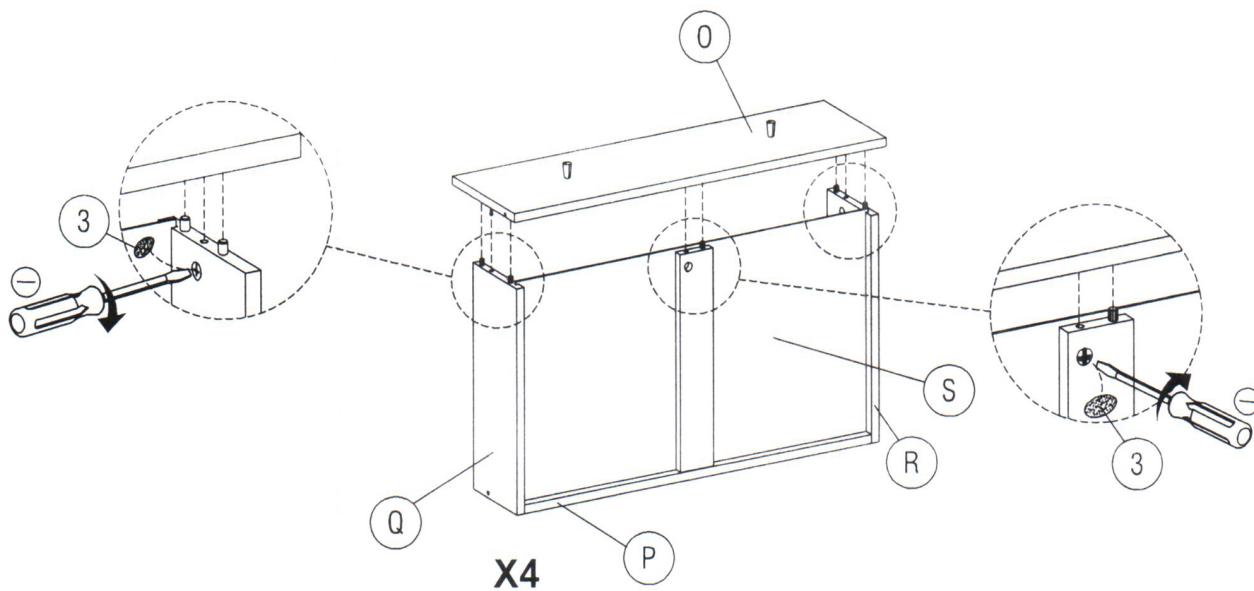
STEP 16 :



4-DRW CHEST ASSEMBLY INSTRUCTIONS

STEP 17 :

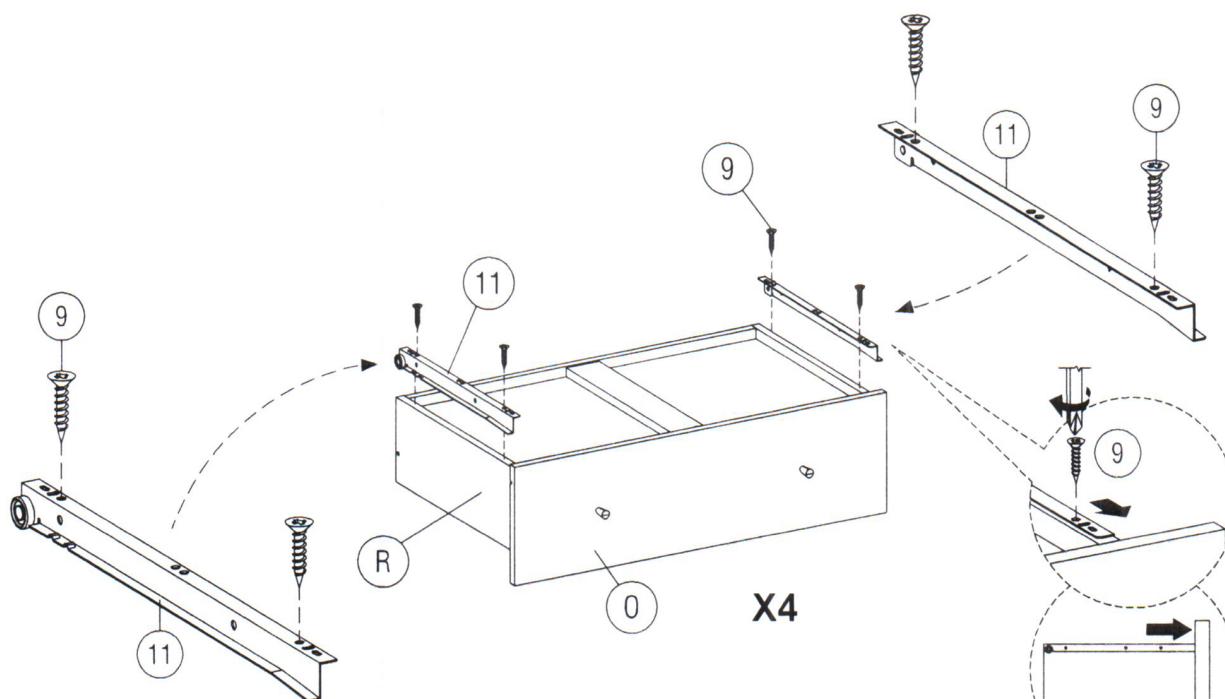

3 x 12



STEP 18 :


9 x 16


11 x 4

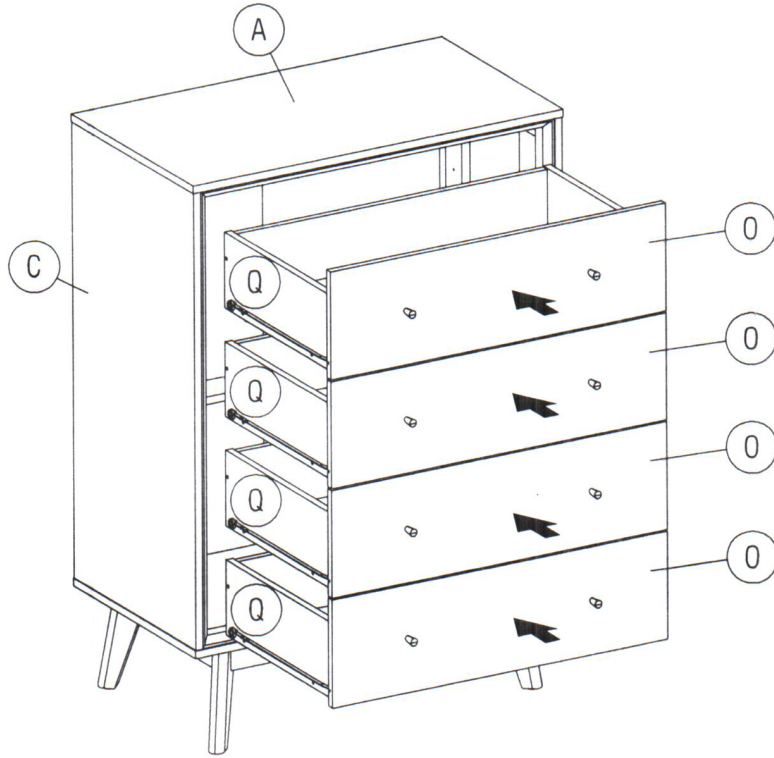


Drawer slides must be pushed up against drawer front before securely tightened.

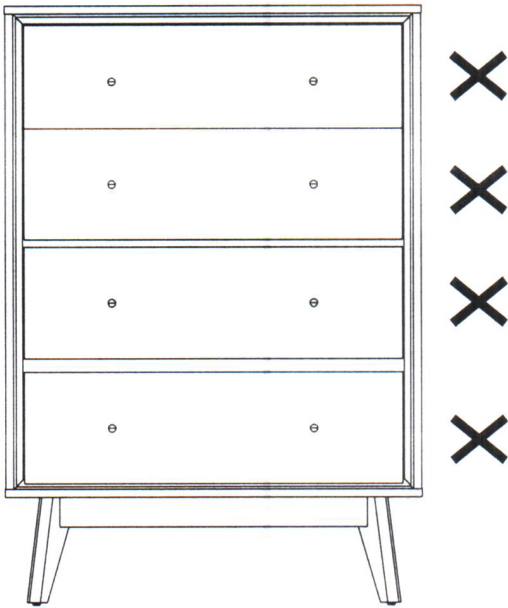
4-DRW CHEST ASSEMBLY INSTRUCTIONS

STEP 19 :

9 x 8

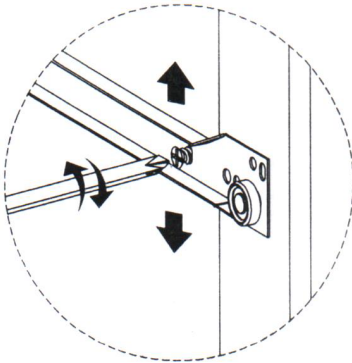


ADJUSTING UNEVEN DRAWERS



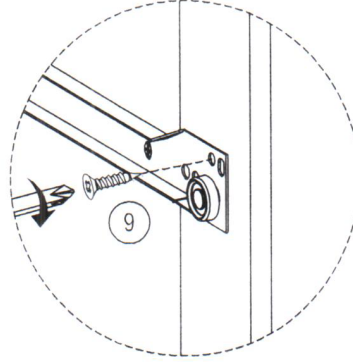
STEP 1

(TO ADJUST THE DRAWER GLIDES UP OR DOWN)



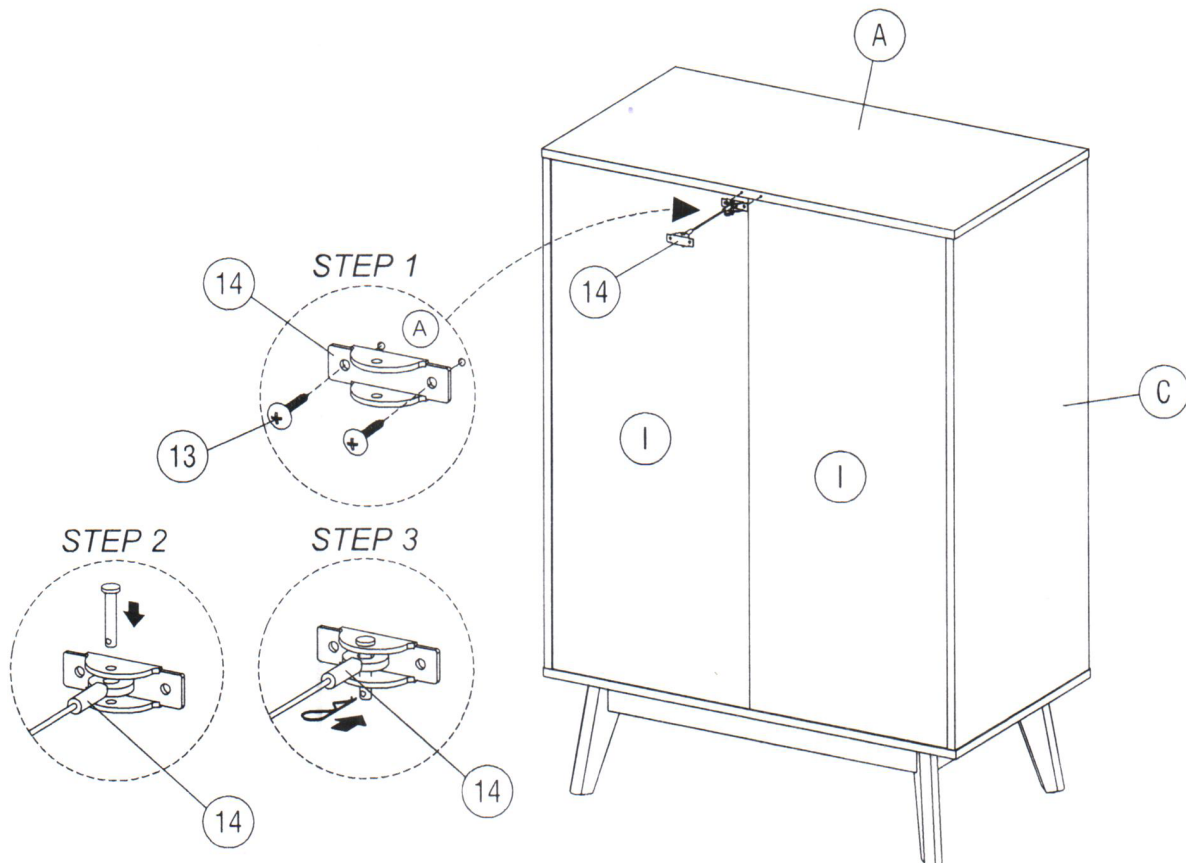
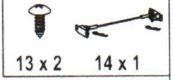
STEP 2

(SECURE WITH SCREW AFTER DRAWER HAS BEEN LEVELED)



4-DRW CHEST ASSEMBLY INSTRUCTIONS

STEP 20 :



FURNITURE TIP OVER RESTRAINT INSTALLATION MANUAL

ID	Photo	Description	Size (mm)	Quantity
13		Short Screw	3x12	2
14		Bracket	51x16x18	2
		Clovis Pin	6x32	2
		R Clip	1.5x28	2
		Cable	2x175	1

Wall Type	Drill Bit	Fastener
Drywall/Plaster, With Wood Studs		3 mm Long Screw (F) Screwed Directly Into Stud
Drywall/Plaster, Without Wood Studs		9 mm Toggle Bolt (Not Included)
Solid Stone, Brick/Masonry		7 mm Wall Anchor (Not Included)
Hollow Stone, Brick/Masonry		9 mm Toggle Bolt (Not Included)

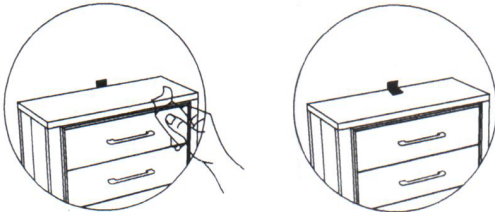
Philips Screwdriver		Tape Measure	
Drill		Painter's Tape	
Hammer		Pencil	
Stud Finder			

WARNING

- MANUFACTURER RECOMMENDS FASTENING BRACKET DIRECTLY TO WALL STUDS WITH LONG SCREW (F). USE OTHER FASTENERS ONLY IF REQUIRED BY WALL TYPE
- USE PAINTER'S TAPE OR OTHER REMOVABLE MATERIAL FOR MARKINGS

1. Position furniture in desired location and mark centers

- a. Mark wall at the horizontal center of furniture top panel b. Mark furniture directly adjacent to wall marking



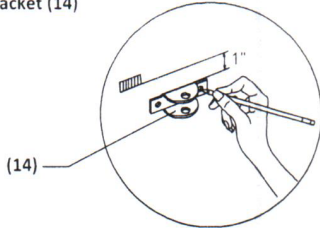
2. Move furniture away from wall



3. Mark pilot hole location on wall

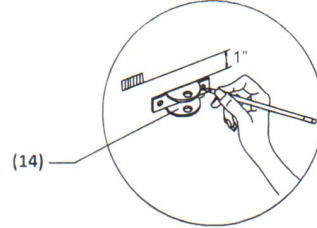
- a. For drywall or plaster walls with wood studs:

Locate wall stud nearest wall marking. Center Bracket (14) screw holes on wall stud. Position top edge of bracket (14) one inch (1") below wall marking. Mark pilot hole location using screw holes in Bracket (14)

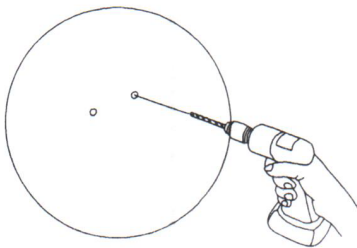


- b. For other wall types:

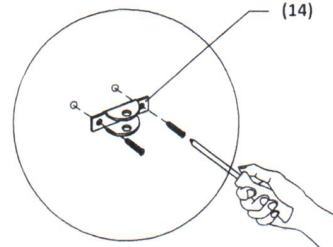
Position Bracket (14) vertical on wall with top of bracket one inch (1") below center mark. Mark pilot hole locations using screw holes in bracket (14)



4. Identify correct Pilot Hole Drill Bit for Wall Type using Table II above. Drill pilot holes where marked



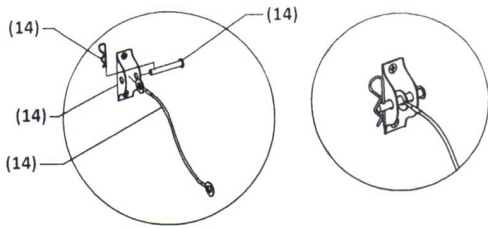
5. Identify correct Wall Fastener type for wall Type using Table II above. Secure Bracket (14) to wall



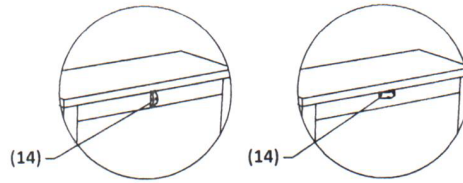
Manufacturer name and address : Dongguan Qiaofeng Plastic Hardware Products Co., Ltd 169 Xianjiang Road Dalang Town , Dongguan City, Guangdong Province China, Date of Manufacture : April 7, 2020

FURNITURE TIP OVER RESTRAINT INSTALLATION MANUAL

6. Secure Cable (14) to wall using Clovis pin (14) and R Clip (14)



7. Find location near top of furniture to install Bracket (14)

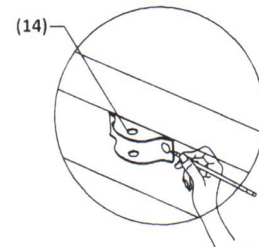
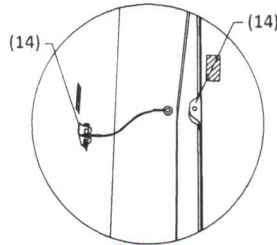
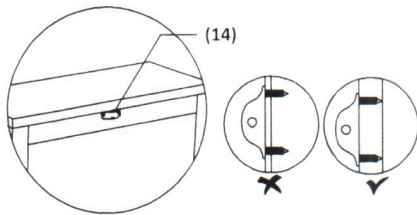


8. Position Bracket (14) on back of furniture and mark pilot hole locations

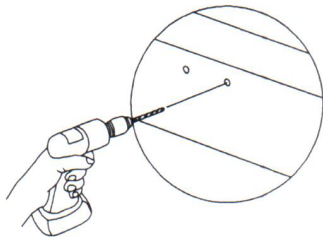
Ensure both screw holes are positioned on solid surface at least 3/4 inch thick

Use center marks from step 1 to ensure Brackets (14) are close enough to connect with cable (14)

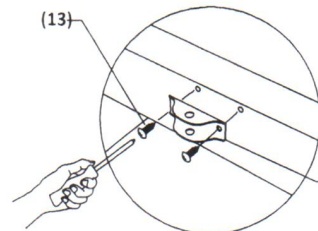
Use screw holes in Bracket (14) to mark pilot hole locations



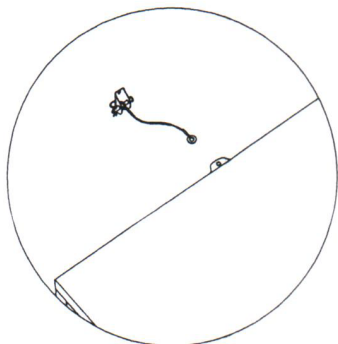
9. Drill pilot holes with 3 mm Drill Bit



10. Secure Bracket (14) to furniture using Short Screw (13)



11. Position furniture in desired location



12. Secure Cable (14) to furniture Bracket (14) using Clovis Pin (14) and R clip (14)

