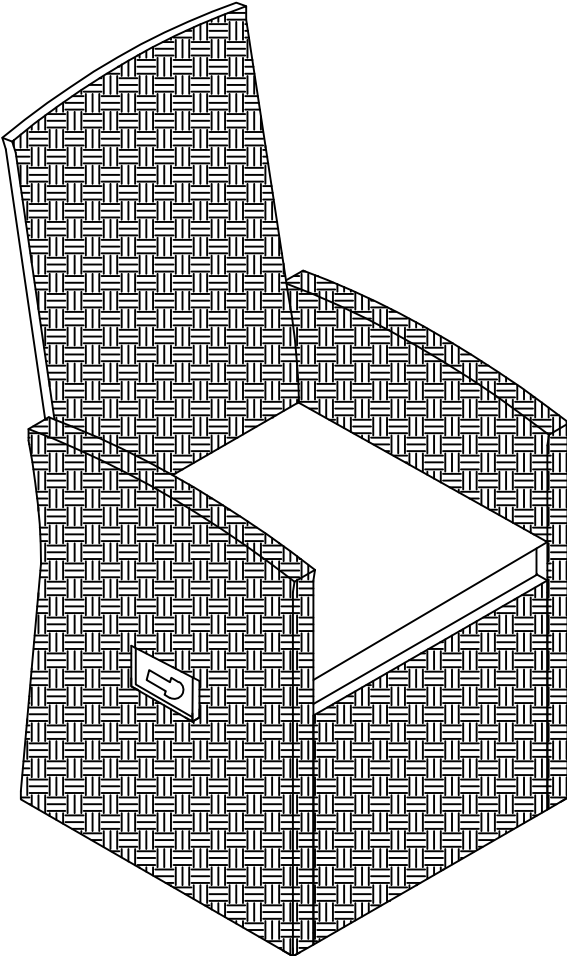


INSTRUCTION MANUAL

Reclining Armchair, Natural Brown Rattan with Natural Brown Cushion



CONTENTS

Safety and care advice	1
Components	2
Assembly instructions	4
Copyright	10

⚠ SAFETY AND CARE ADVICE ⚠

PLEASE READ THESE INSTRUCTIONS CAREFULLY AND KEEP FOR FUTURE REFERENCE

- **Warning:** Please lift with care.
- Check you have all the components and tools listed on pages 2 and 3.
- Remove all fittings from the plastic bags and separate them into their groups.
- Keep children and animals away from the work area, small parts could choke if swallowed.
- Make sure you have enough space to lay out the parts before starting.
- Do not stand or put weight on the product, this could cause damage.
- Assemble the item as close to its final position (in the same room) as possible.

- Assemble on a soft level surface to avoid damaging the unit or your floor (use opened out unit carton).



- We do not recommend the use of power drill/drivers **for inserting screws**, as this could damage the unit. Only use hand screwdrivers.
- Dispose of all packaging carefully and responsibly.

CARE AND MAINTENANCE

- Only clean using a damp cloth and mild detergent, do not use bleach or abrasive cleaners.
- From time to time check that there are no loose screws on this unit.

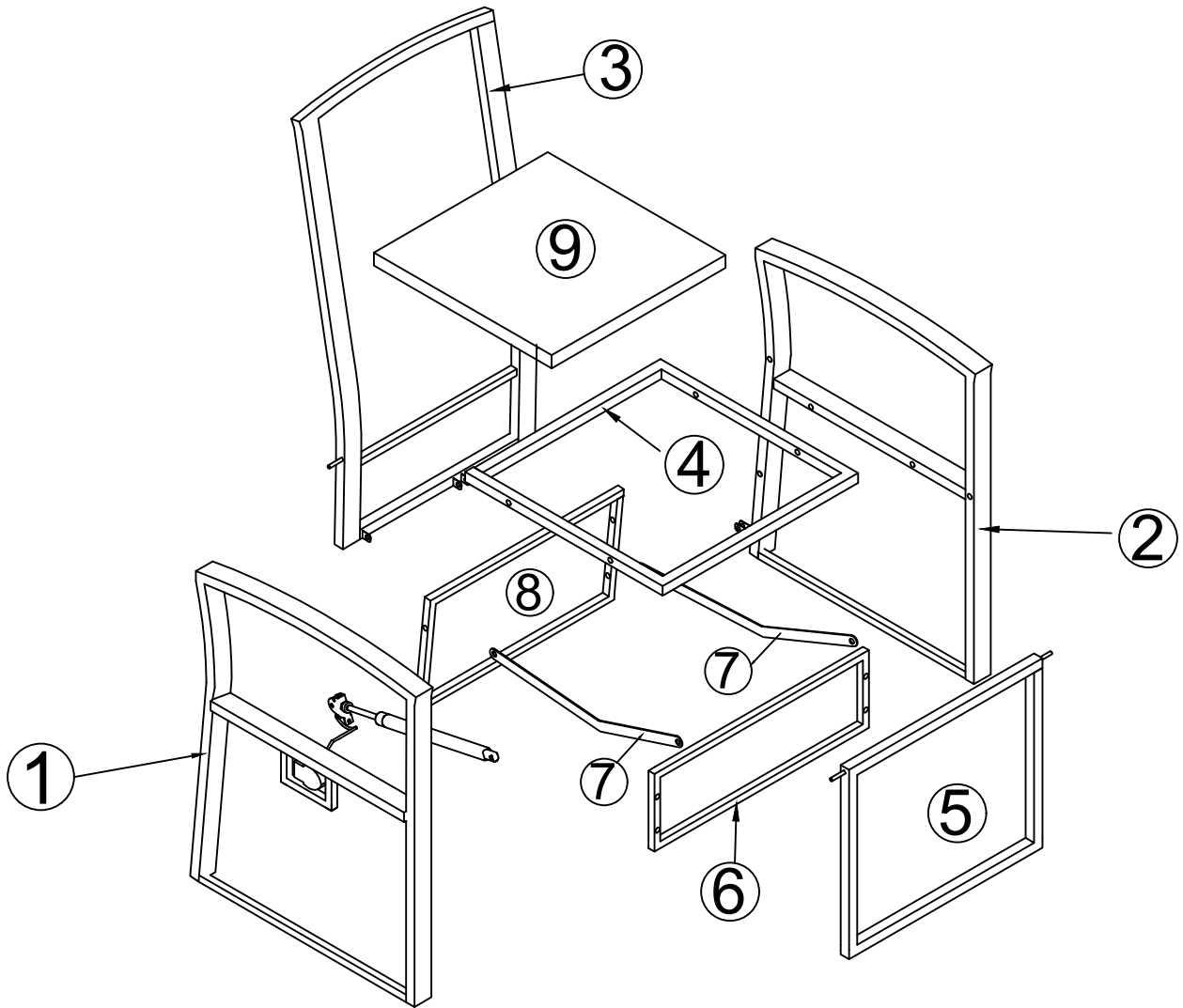
- This product should not be discarded with household waste. Take to your local authority waste disposal center.

Note *If required the next page can be cut out and used as reference throughout the assembly. Keep this page with these instructions for future reference.*

COMPONENTS

Please check you have all the panels listed below :

Please check you have all the panels listed below:



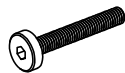
1	Chair/ Right frame	x1	5	Chair Front panel frame	x1
2	Chair/ Left frame	x1	6	Lower Ballast frame	x1
3	Chair/ Back frame	x1	7	Ballast bar	x2
4	Chair Seat frame	x1	8	Lower Back frame	x1
	9	Seat Chair cushion			x1

COMPONENTS

Please check you have all the panels listed below :

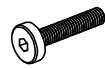
HARDWARE LIST

A



Allen Bolt M6*40(6 pcs)

B



Allen Bolt M6*30(8 pcs)

C



Screw Bolt M4*15(4 pcs)

D



Nut :M6*10*6.0 (4 pcs)

E



Flat Washer:-M6*16*1.0(22pcs)

F



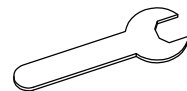
Washer M8*20*5.0 (8 pcs)

G



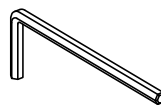
Washer M6* 20*2.0(4 pcs)

H



Key (1 pc)

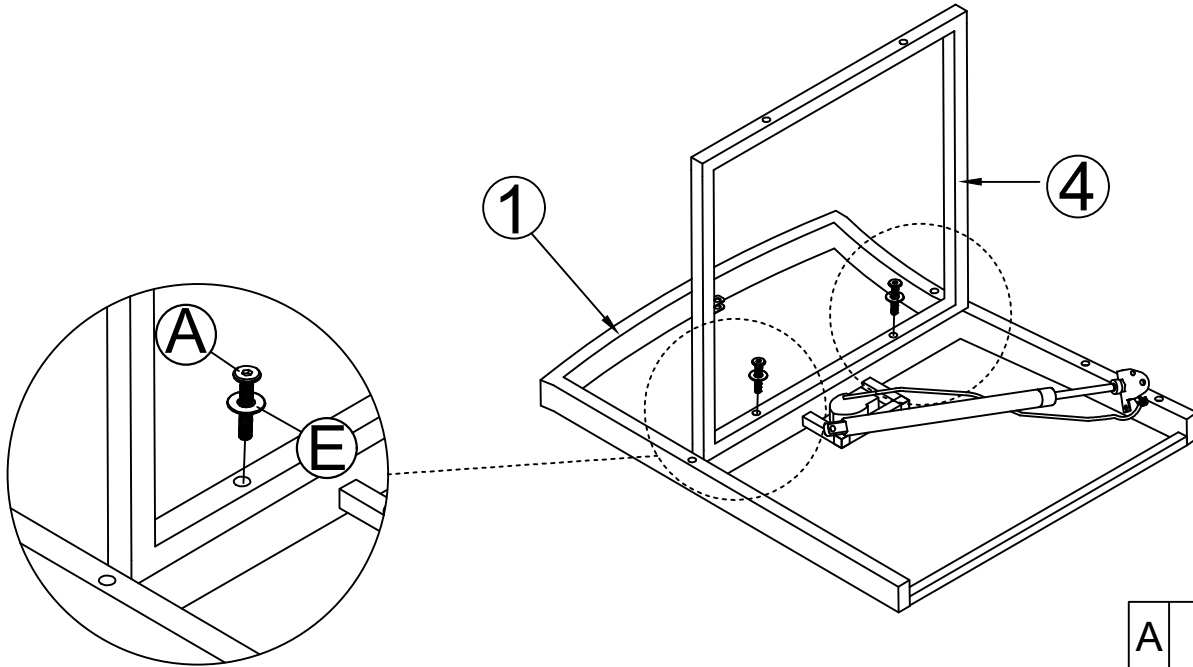
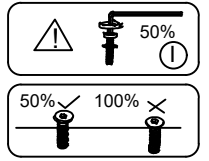
I



Allen Bolt (1 pc)

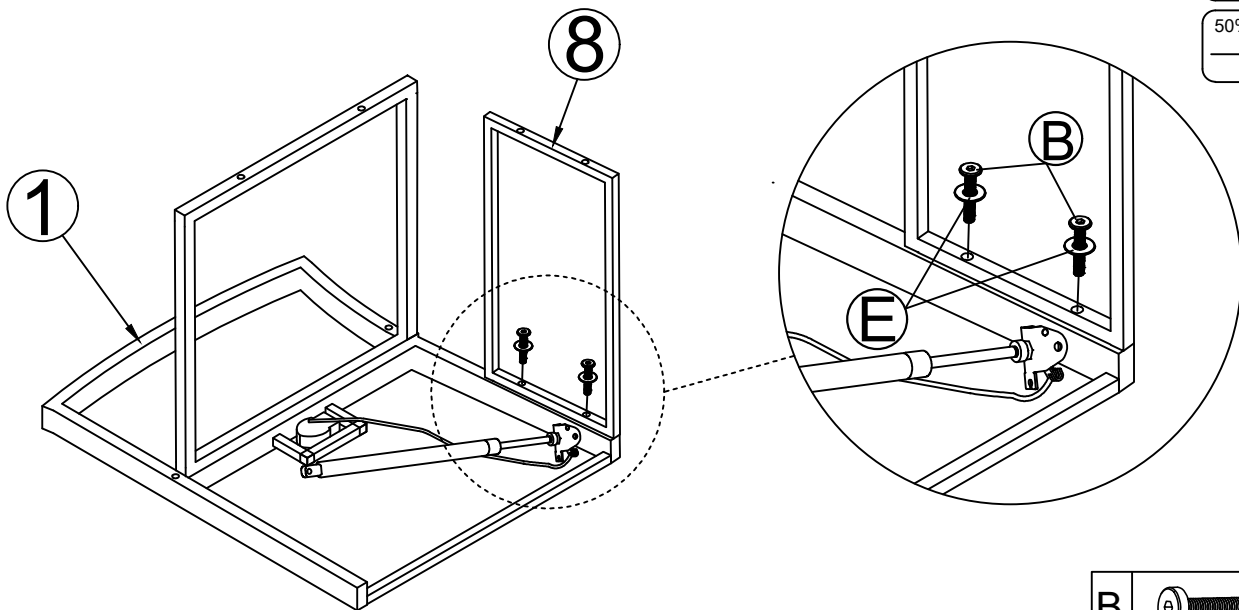
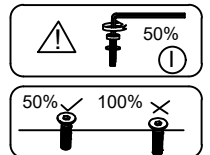
ASSEMBLY INSTRUCTIONS

STEP 1



A		2	
E		2	

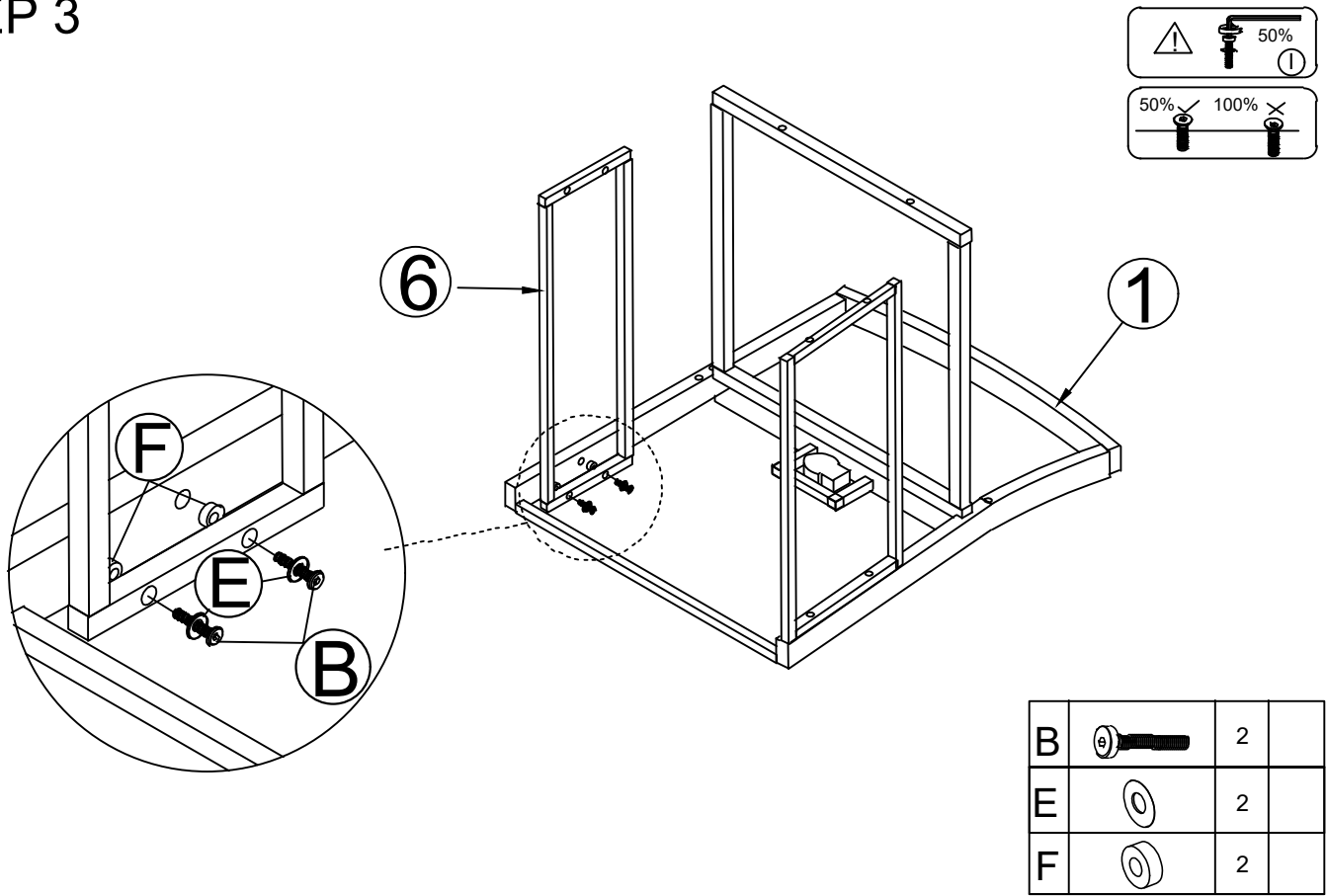
STEP 2



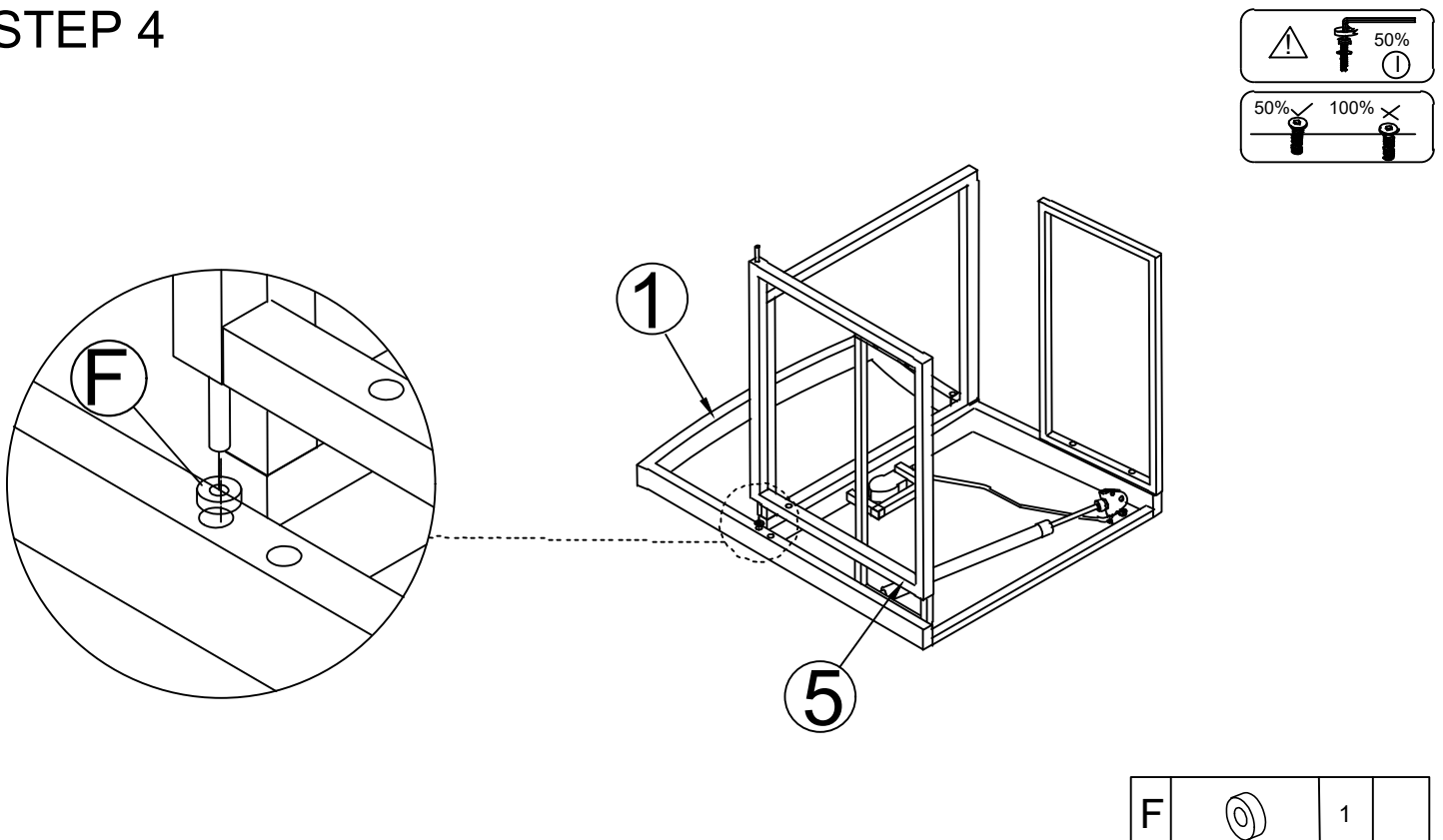
B		2	
E		2	

ASSEMBLY INSTRUCTIONS

STEP 3

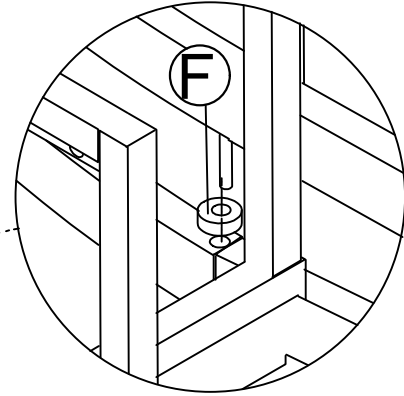
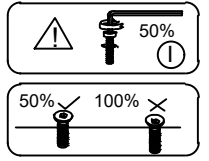
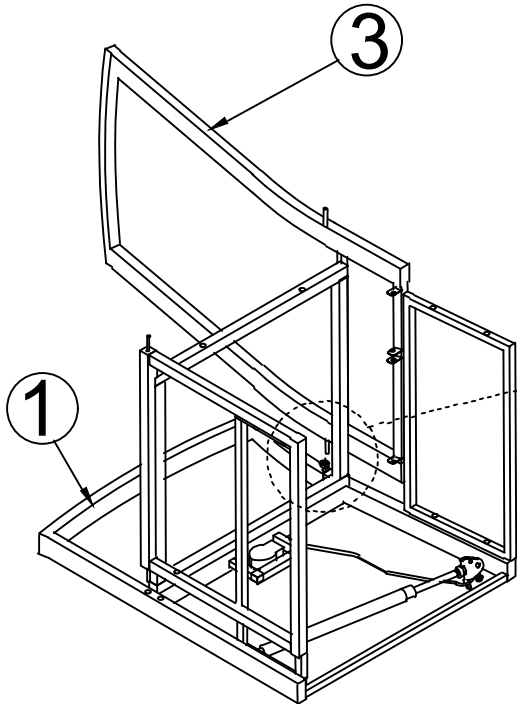



STEP 4



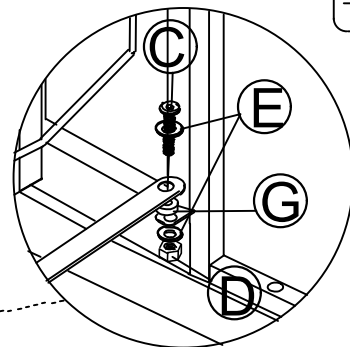
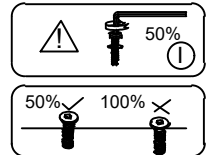
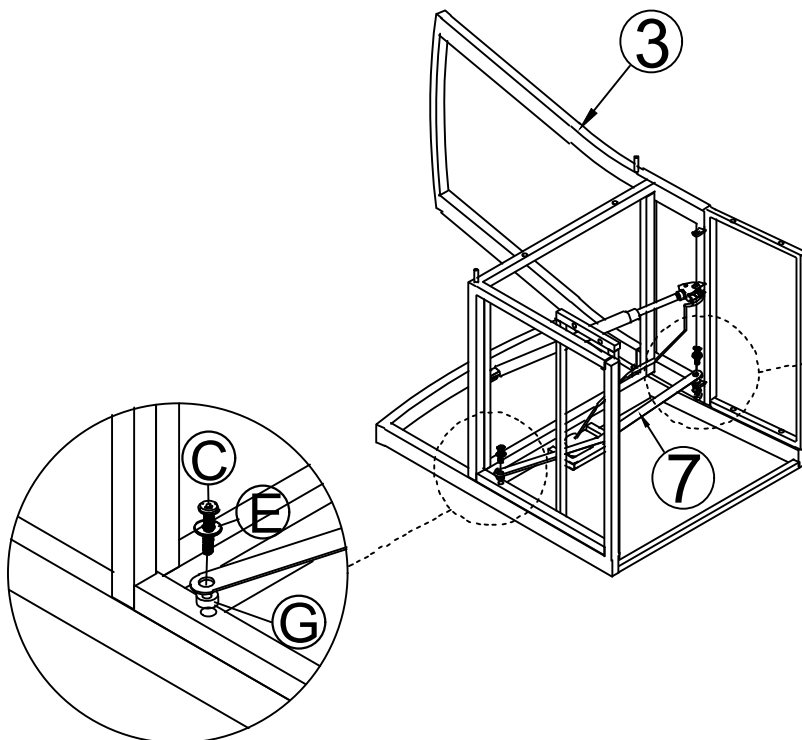
ASSEMBLY INSTRUCTIONS





STEP 5



F		1	
---	---	---	--

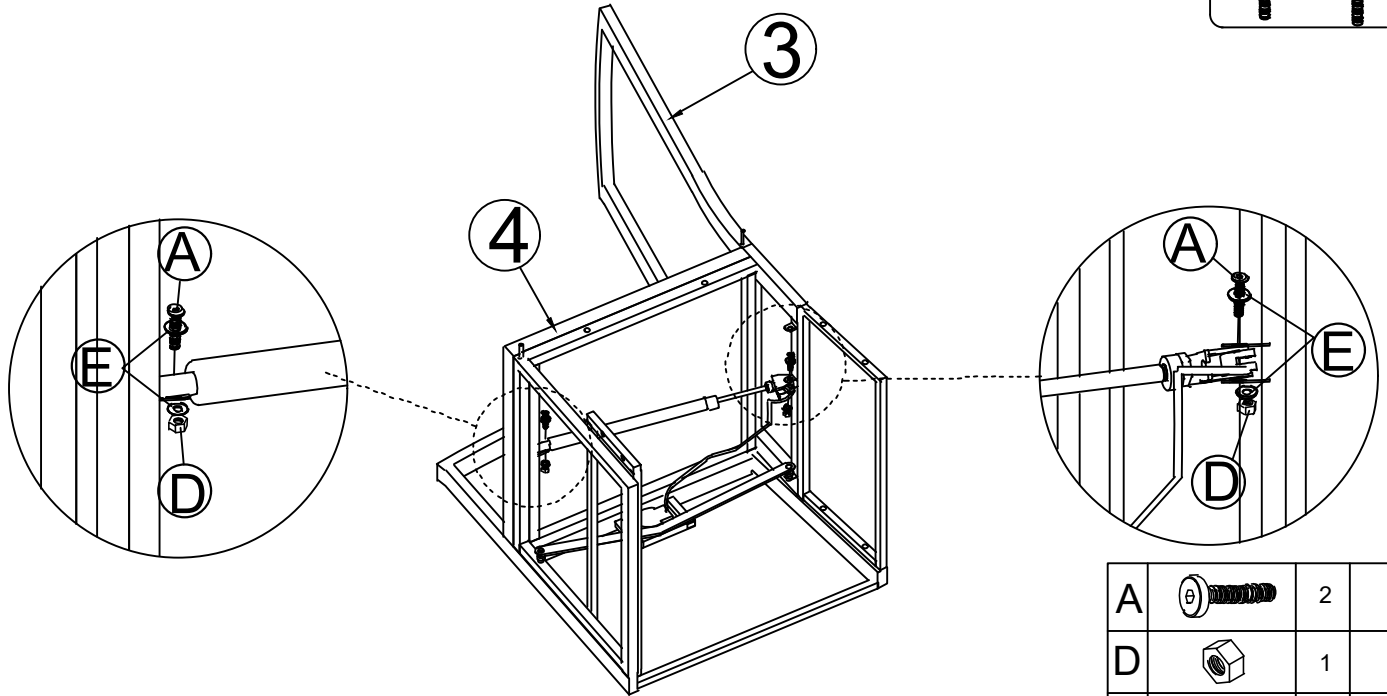
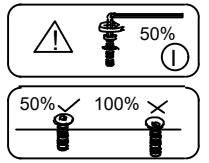
STEP 6



C		2	
D		1	
G		2	
E		3	

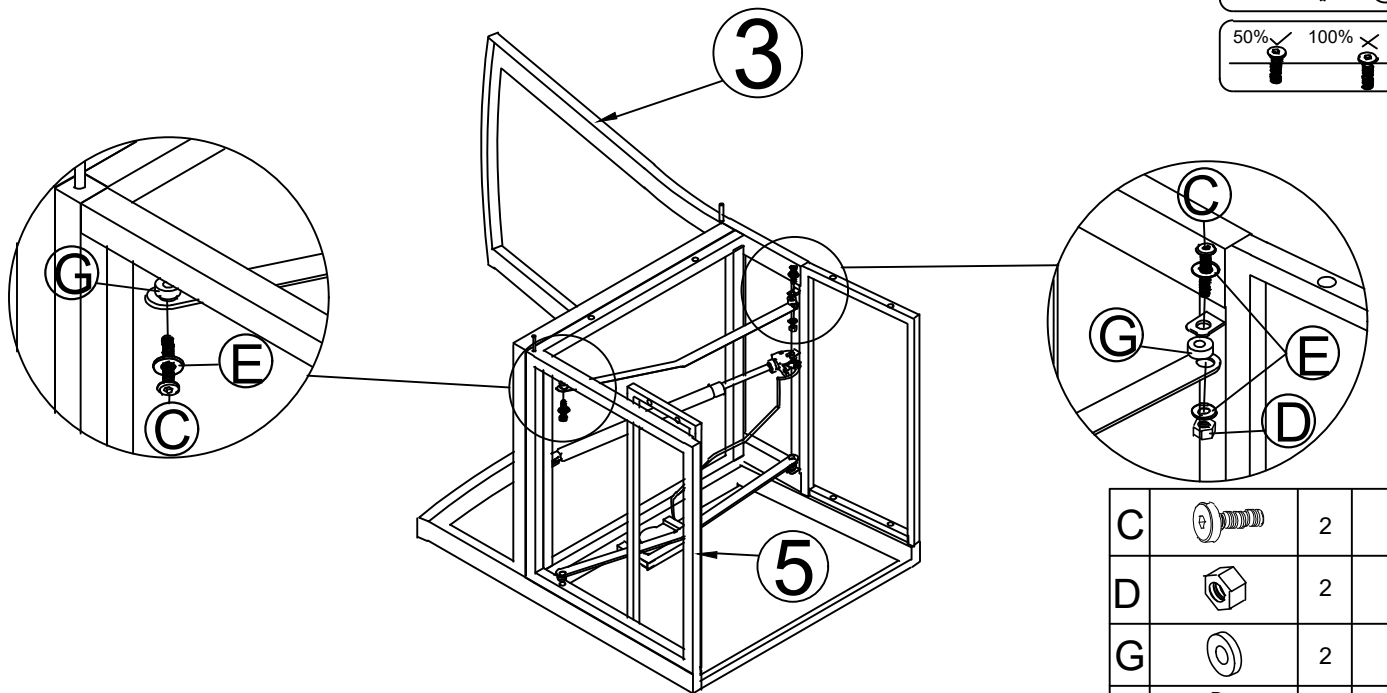
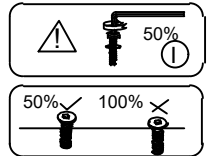
ASSEMBLY INSTRUCTIONS

STEP 7



A		2	
D		1	
E		4	

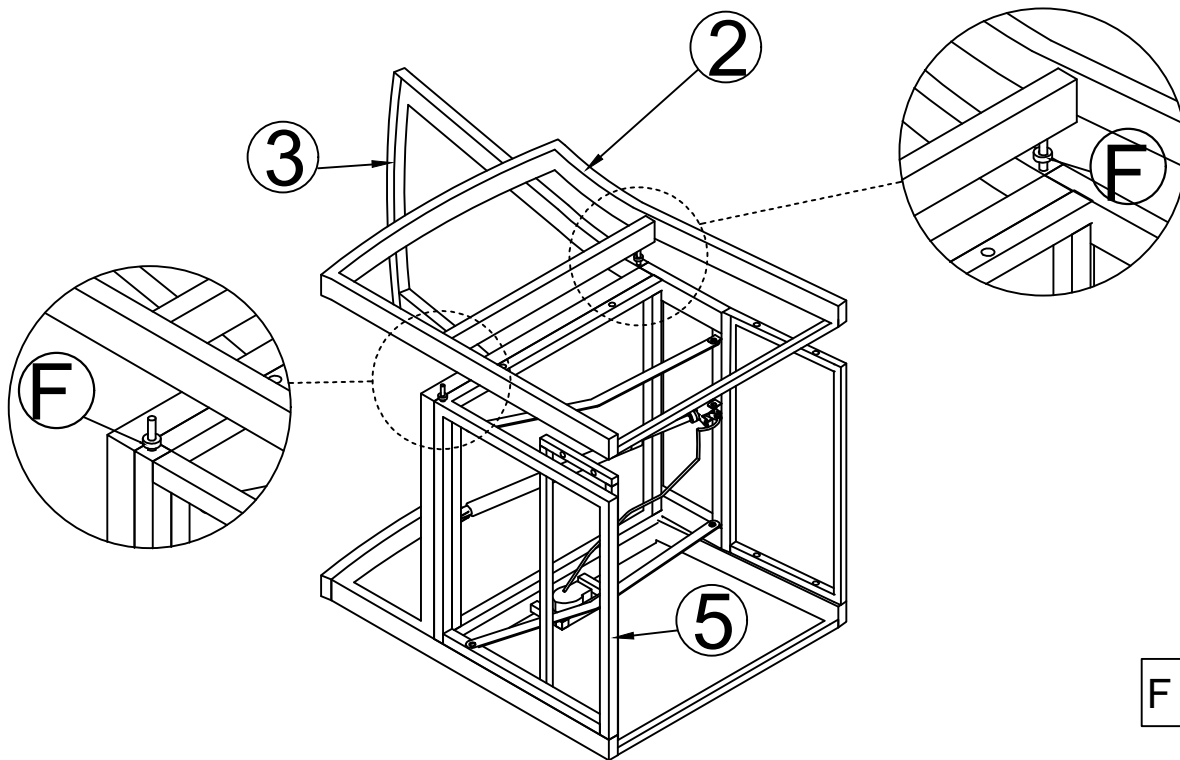
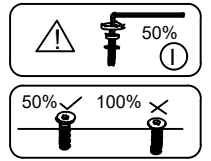
STEP 8



C		2	
D		2	
G		2	
E		3	

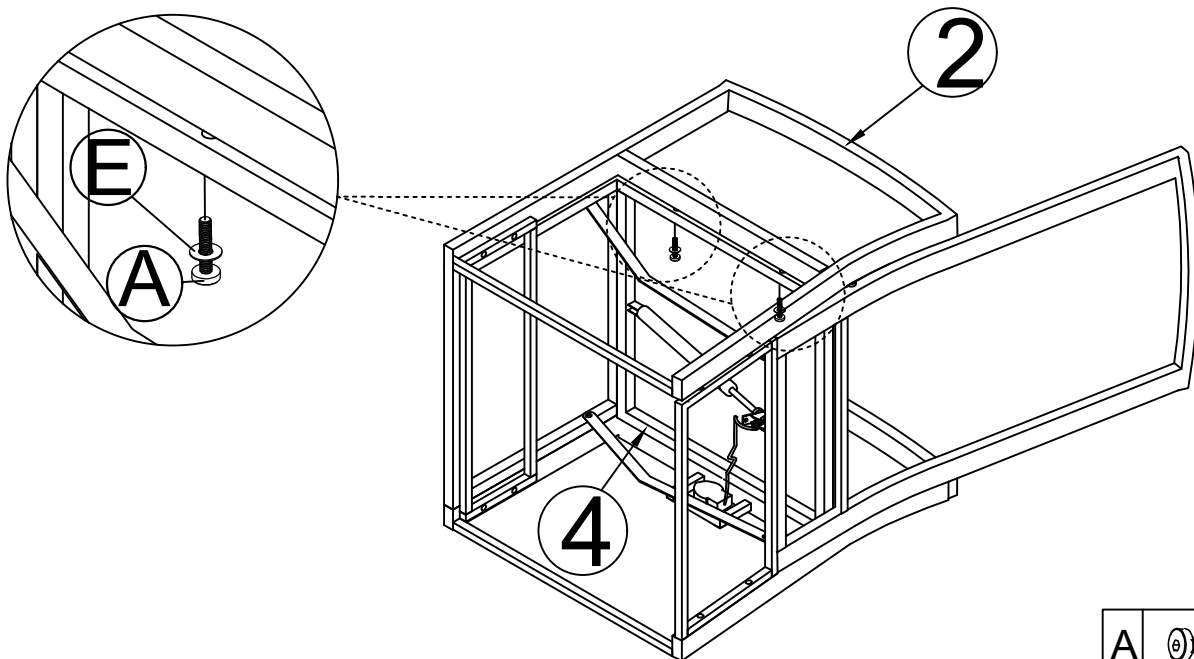
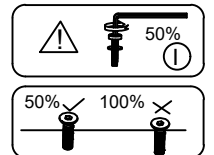
ASSEMBLY INSTRUCTIONS

STEP 9



F		2	
---	--	---	--

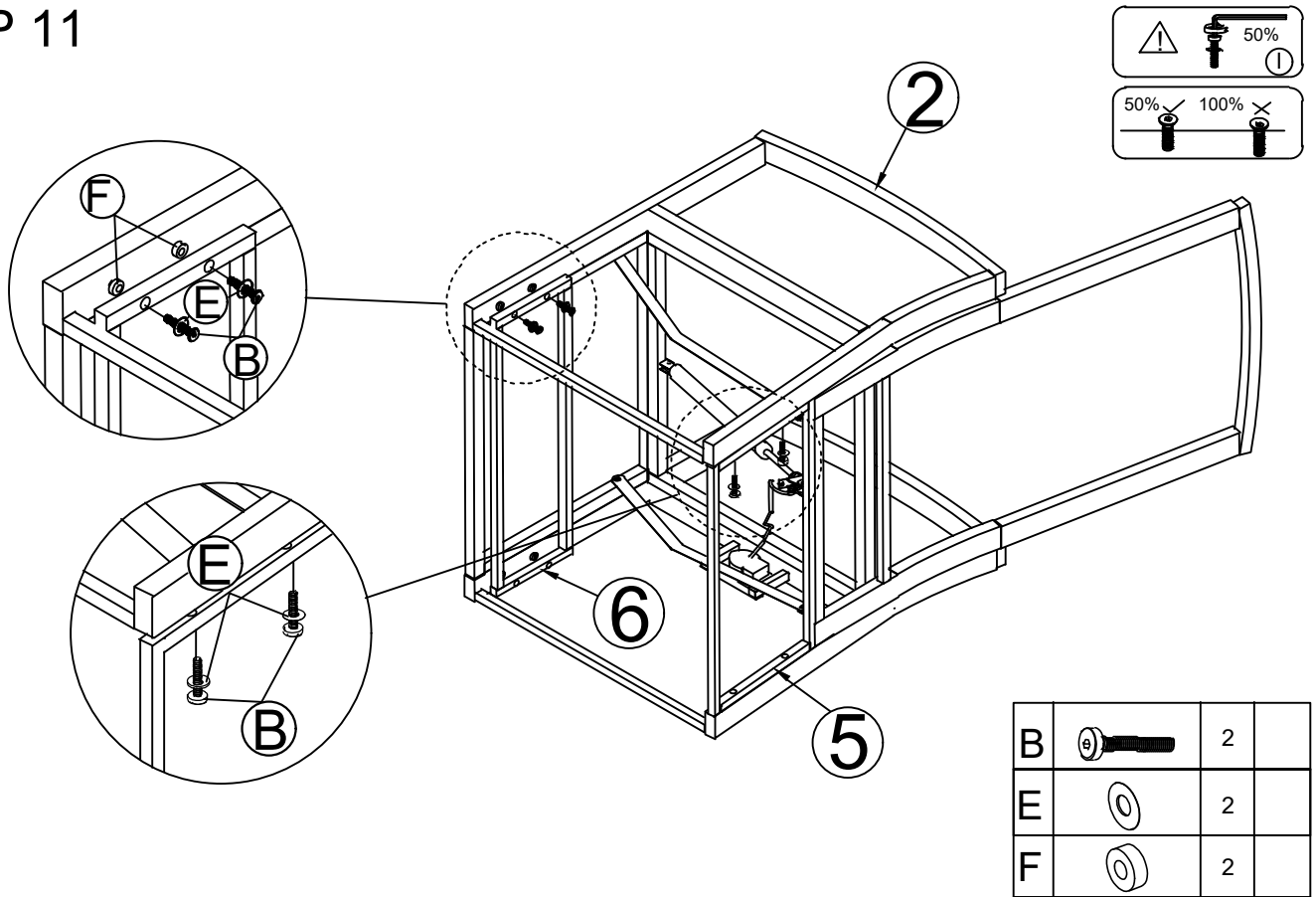
STEP 10



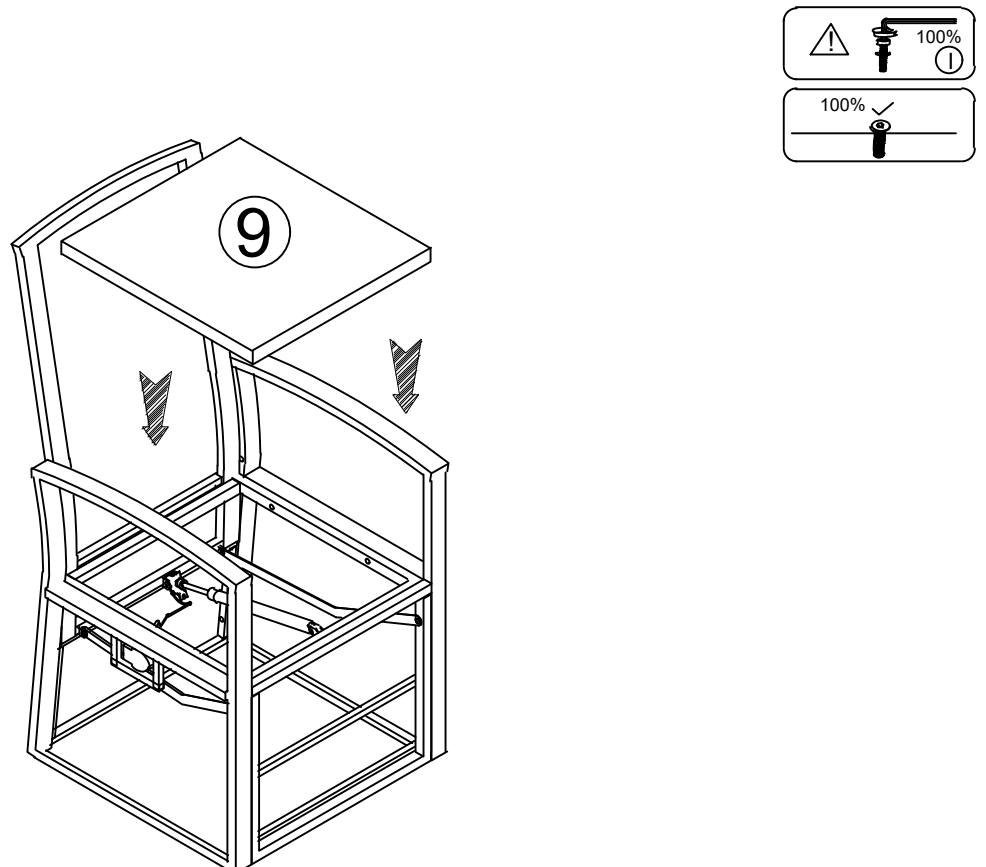
A		2	
E		2	

ASSEMBLY INSTRUCTIONS

STEP 11

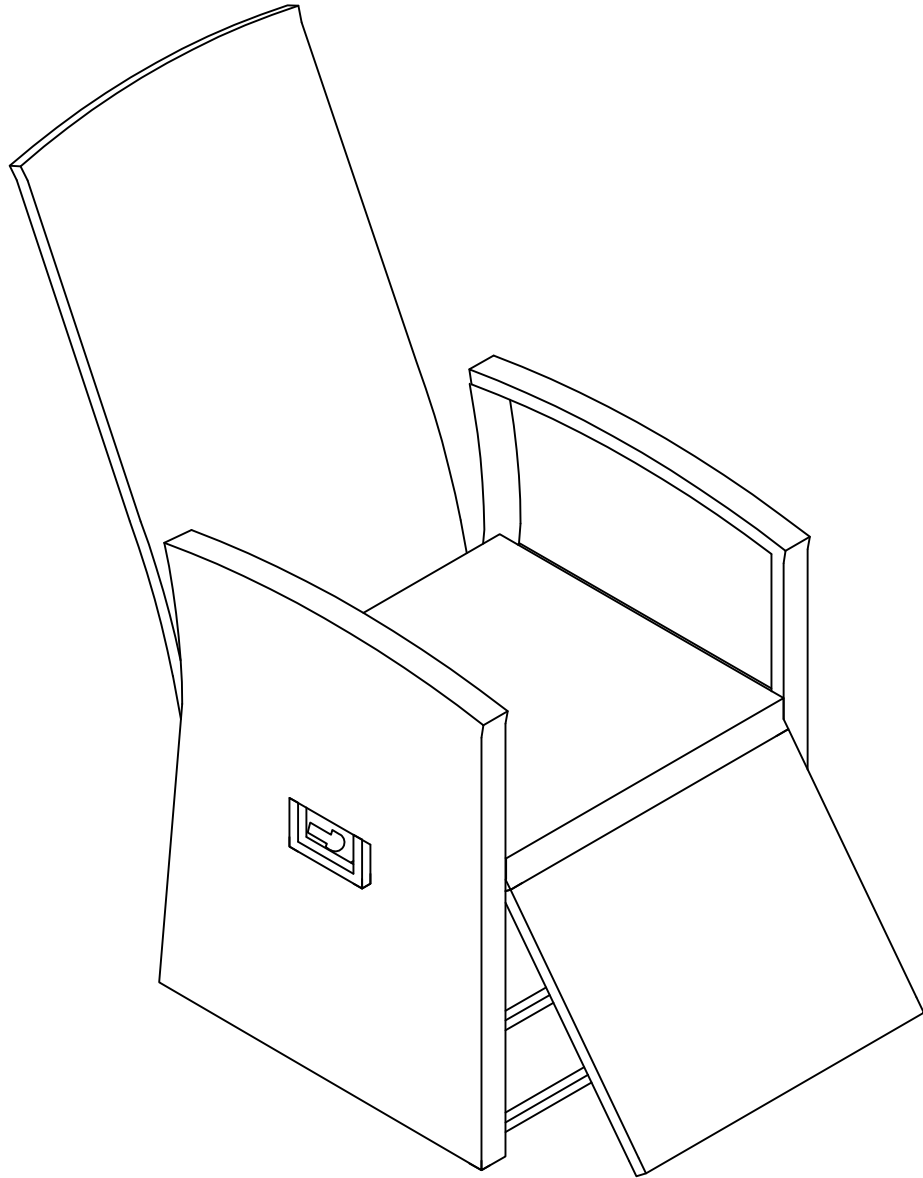


STEP 12



ASSEMBLY INSTRUCTIONS

STEP 13 Finish



Congratulations! Now you have finished assembling the product.

IF YOU FIND A DEFECTIVE PART

We fully stock all parts and components. Any defective part can be quickly replaced. Take note of the defective part number in manual and we will arrange a quick replacement.

You can email our team