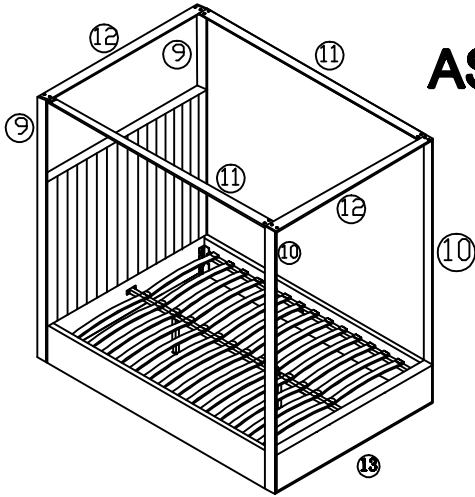


ASSEMBLY INSTRUCTIONS

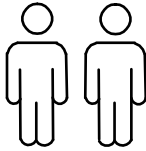
bed - queen



+ Do Not Use Power Tools



+ Suggested Adults



NOTE: For questions about parts or assembly please email support@meridianfurnitureusa.com or call us at 718-758-4455.

- 1 Read instructions cover to cover.
- 2 Save all packaging until assembly is completed.

1 IMPORTANT SAFETY INFORMATION

Do not assemble the product if any of the following parts arrived damaged:

- Part #③ -Side Rails
- Part #⑤ -Center Support Bar
- Part #⑥ -Support Legs
- Part #⑦ -Slats

2 IMPORTANT ASSEMBLY INFORMATION

Assembly Step ③ Ensure the side rail bracket is fully hooked onto bolt A loosely threaded with both washers on the **OUTSIDE** of the bracket first, then proceed to fully tightening all 4 corners.

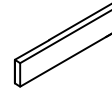
Assembly Step ⑨ When installing slats, ensure that the curve is facing upwards. (→) (✗)
 *Slats come packed in the bottom of headboard carton.

+ Parts Included

① Head Board (1pc)



② Foot Board (1pc)



③ Side Rails (2pcs)



④ Double Plastic cap (15pcs)



⑤ Center Support Bar (1pc)



⑥ Support Legs (2pcs)



⑦ Slats (30pcs)



*Slats come packed in the bottom of headboard carton.

⑧ Single Plastic cap (30pcs)



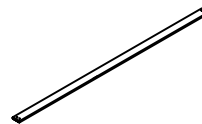
⑨ - Metal bar (2pcs)



⑩ - Metal bar (2pcs)



⑪ - Metal bar (2pcs)



⑫ - Metal bar (2pcs)



⑬ - Metal bar (1pc)



+ Hardware Included

A Bolt M8*30mm (24pcs) B Bolt M8*20mm (20pcs) C Nut M8*13mm (14pcs)



D Spring Washer (16pcs)



E flat washer 10x20mm (44pcs)



F M8 Allen Key 1pc



G Spanner 1pc



H M8*82mm 6pcs



I flat washer 10x25mm (10pcs)



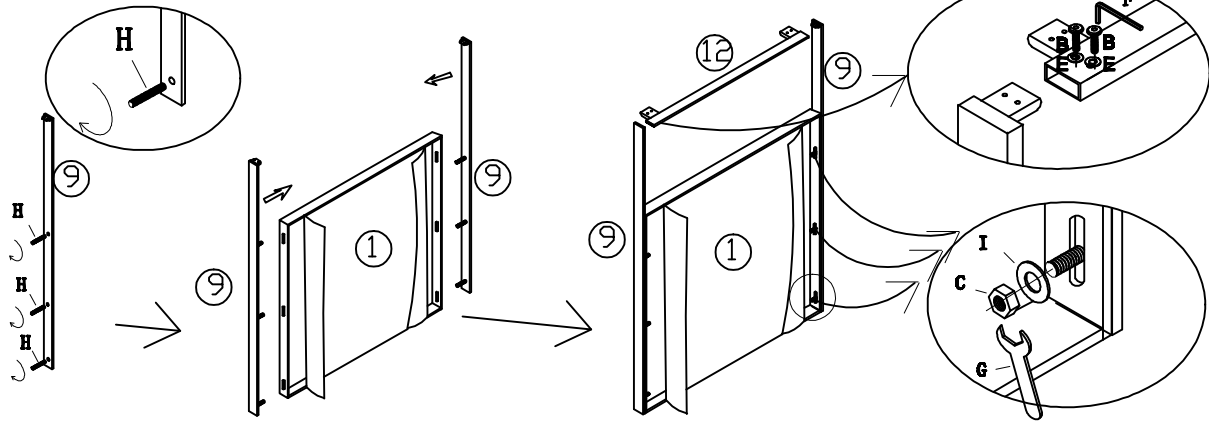
J M8*125mm 4pcs



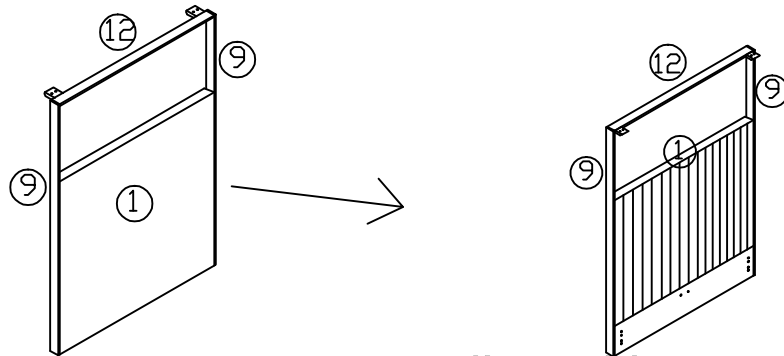
ASSEMBLY INSTRUCTIONS

bed - queen

STEP 1:

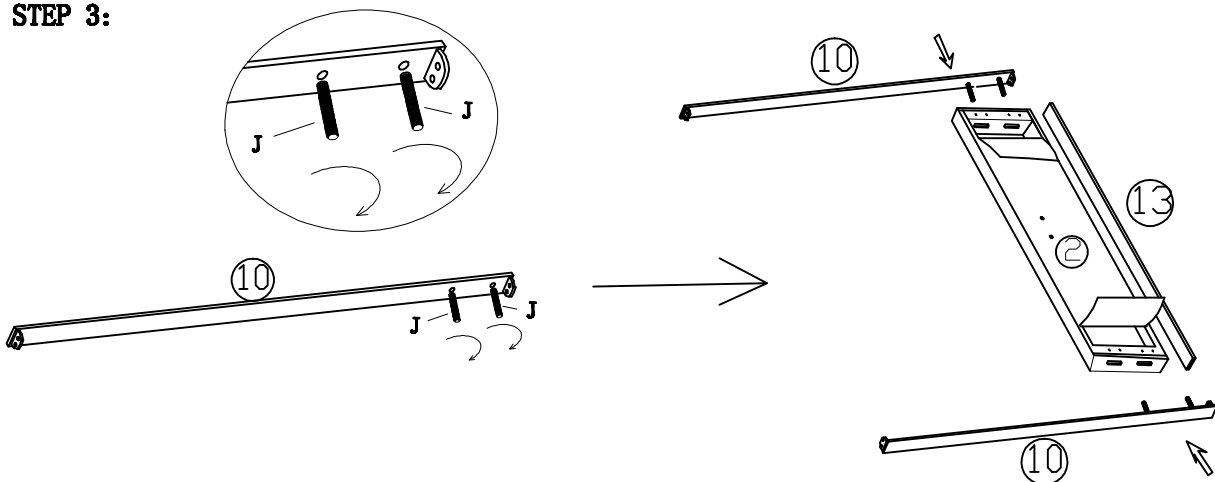


STEP 2:



Headboard is assembled

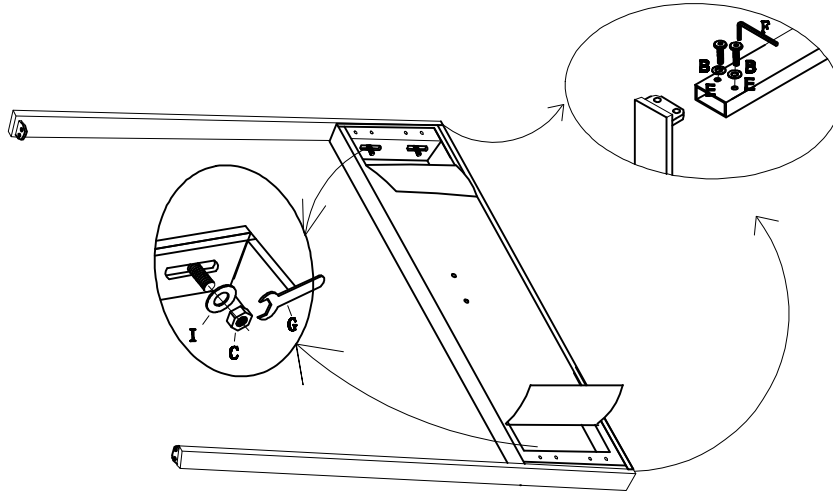
STEP 3:



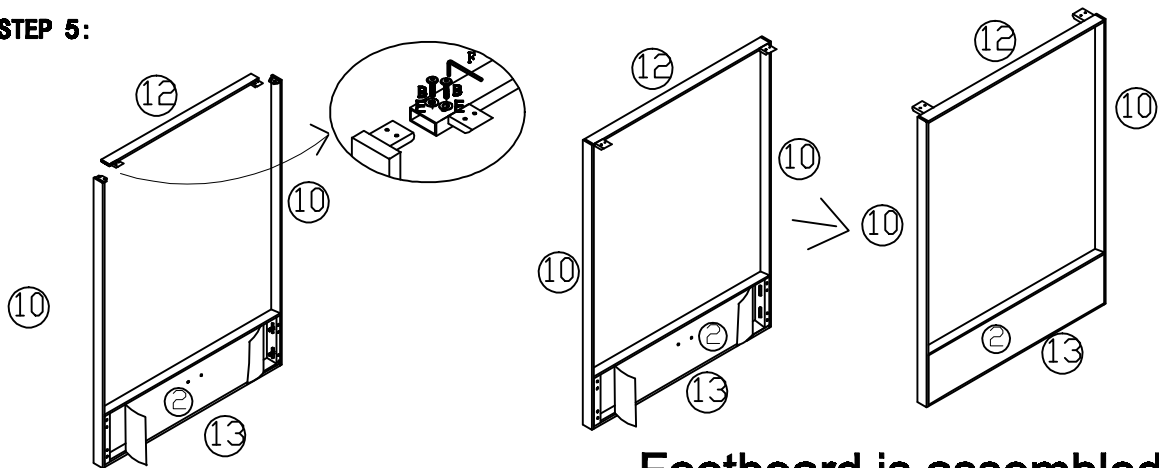
ASSEMBLY INSTRUCTIONS

bed - queen

STEP 4:

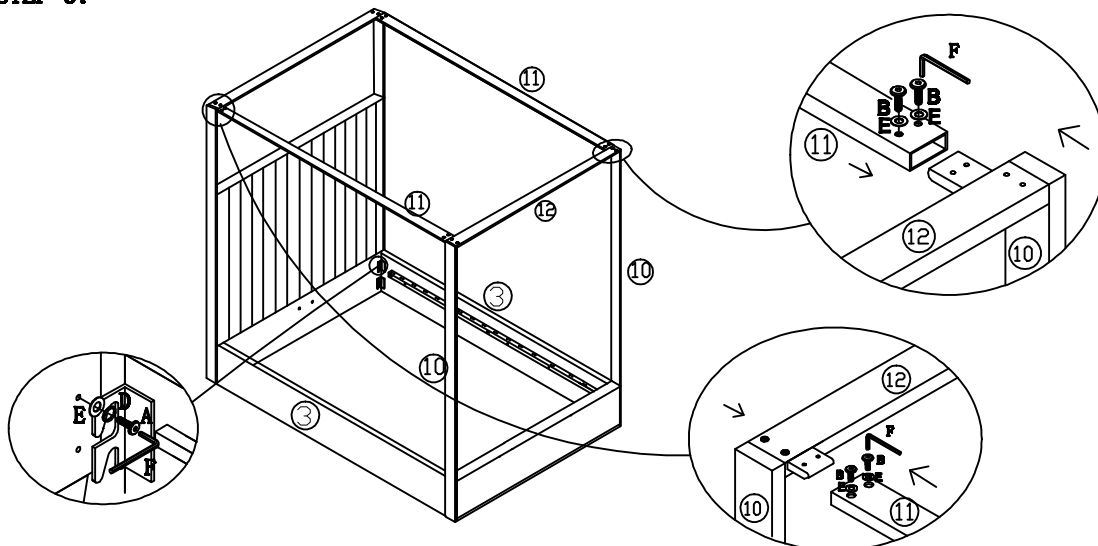


STEP 5:



Footboard is assembled

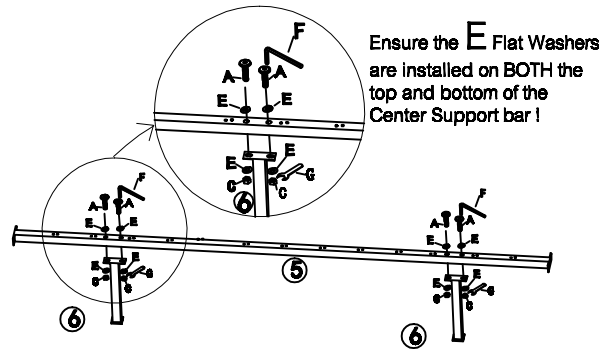
STEP 6:



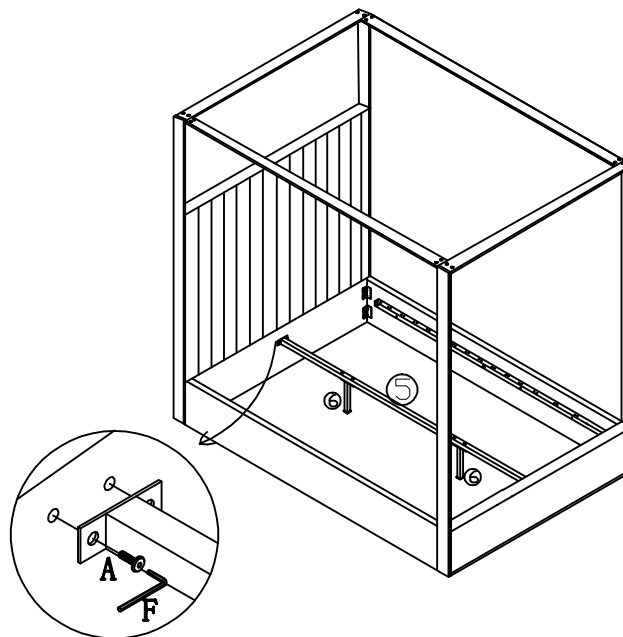
ASSEMBLY INSTRUCTIONS

bed - queen

STEP 7:

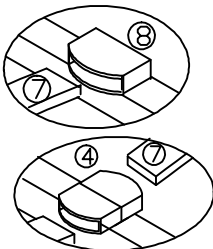


STEP 8:



STEP 9:

When installing slats, ensure that the curve is facing upwards. (✓) (✗)



packed in the bottom of headboard carton.

