

ARMONIA

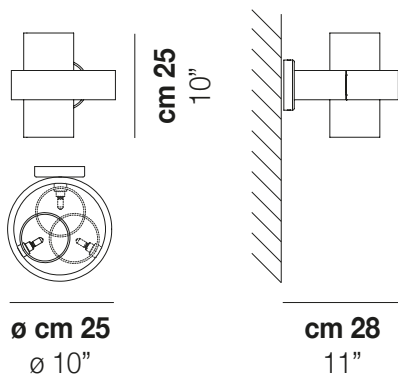
Design Francesco Lucchese

ARMONIA AP 25

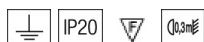


A collection with contemporary connotations that contains precious historical features: that of glass processings such as the “balloton” and the straight and twisted rigadin.

ARMONIA AP 25



TECHNICAL DATA:



CERTIFICATIONS:

LIGHT SOURCES

1x60w 120V/60HZ G9

VOLUME Mc 0,22
 GROSS WEIGHT Kg 5
 NET WEIGHT Kg 3

[download](#)



SHADE FINISHING

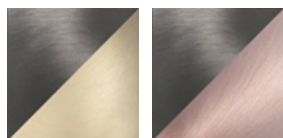


AMRI

CRRRI

FURI

FRAME FINISHING



N_O

N_R