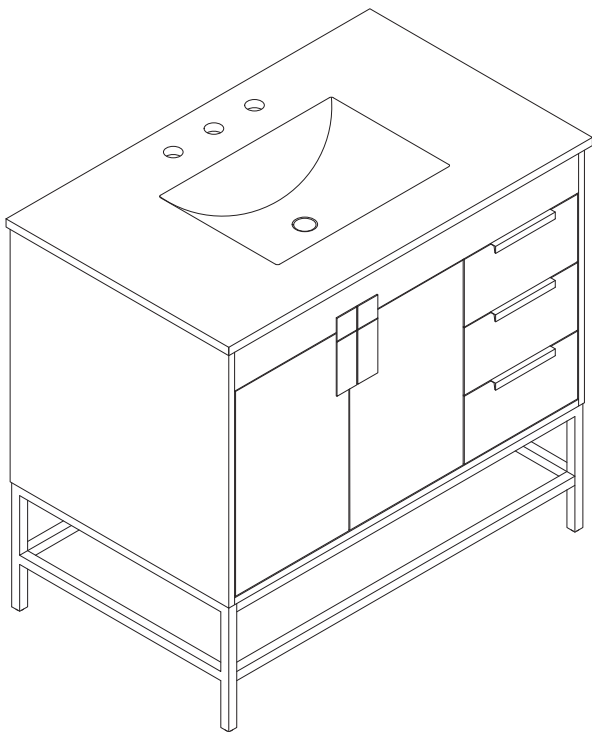
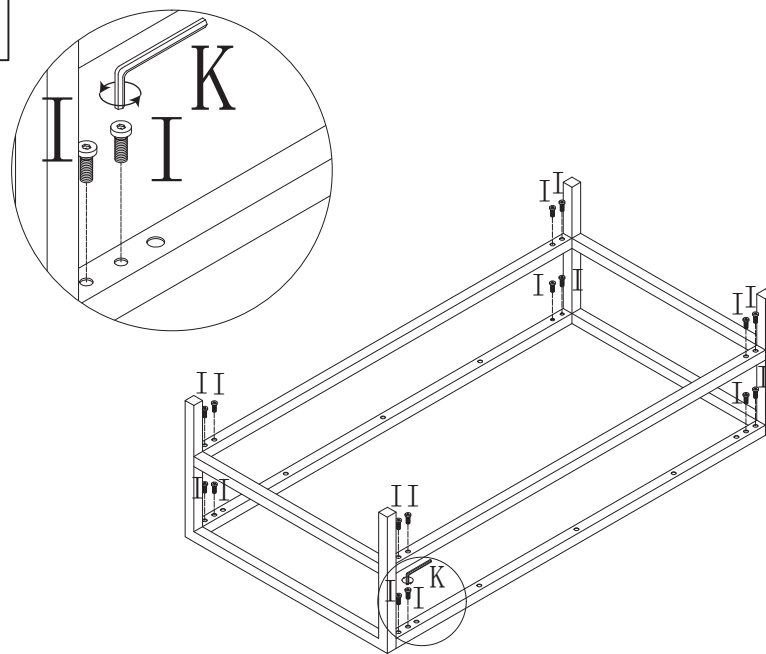


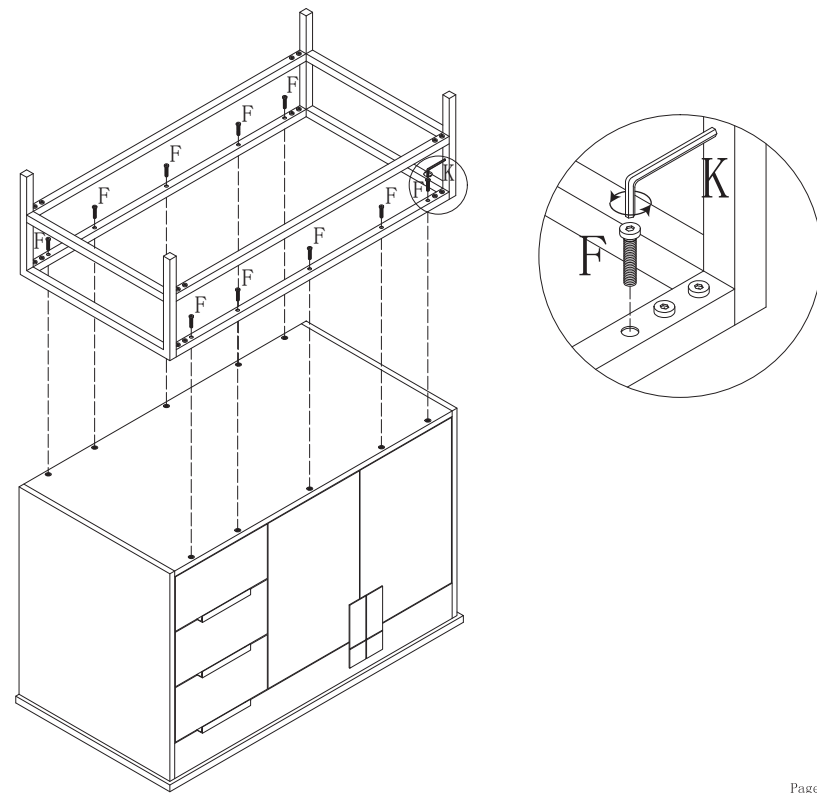
ASSEMBLY INSTRUCTIONS



Step 1



Step 2

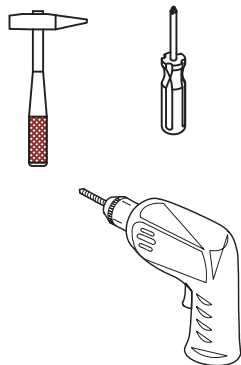


Hardware

NO.	Parts	QTY	NO.	Parts	QTY
A	(M6*1.18")	4	E	(M6*2.36")	2
B	2	2	F	(M6*1.18")	10
C	(T4*1.38")	4	H	(M8*1.57")	2
D	(T4*0.55")	2	I	(M6*0.47")	16
			K	1	1

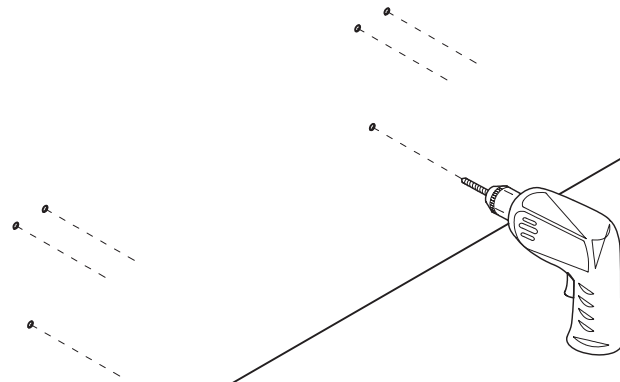
Tools

(required but not provided)



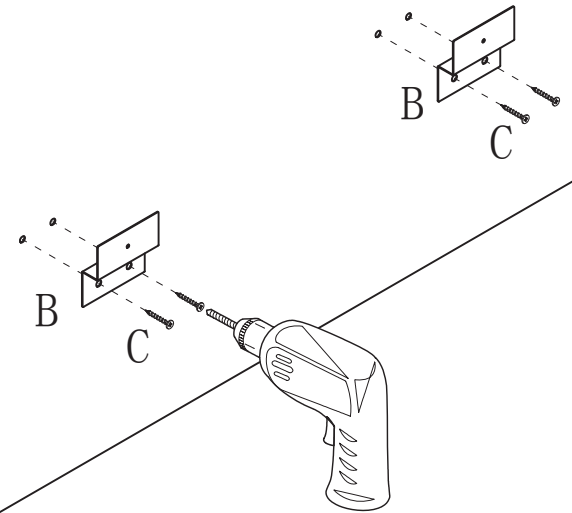
Step 3

Wall



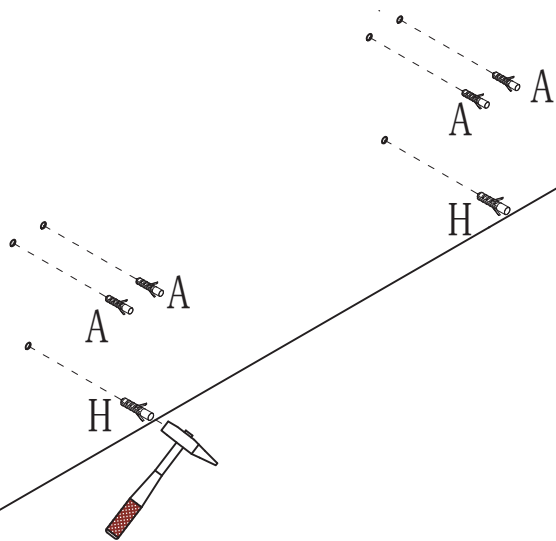
Step 5

Wall

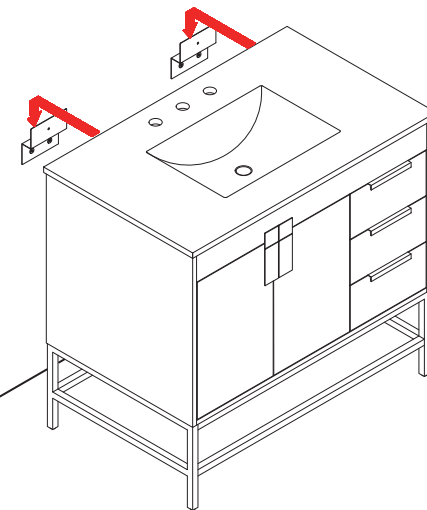
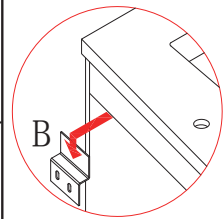


Step 4

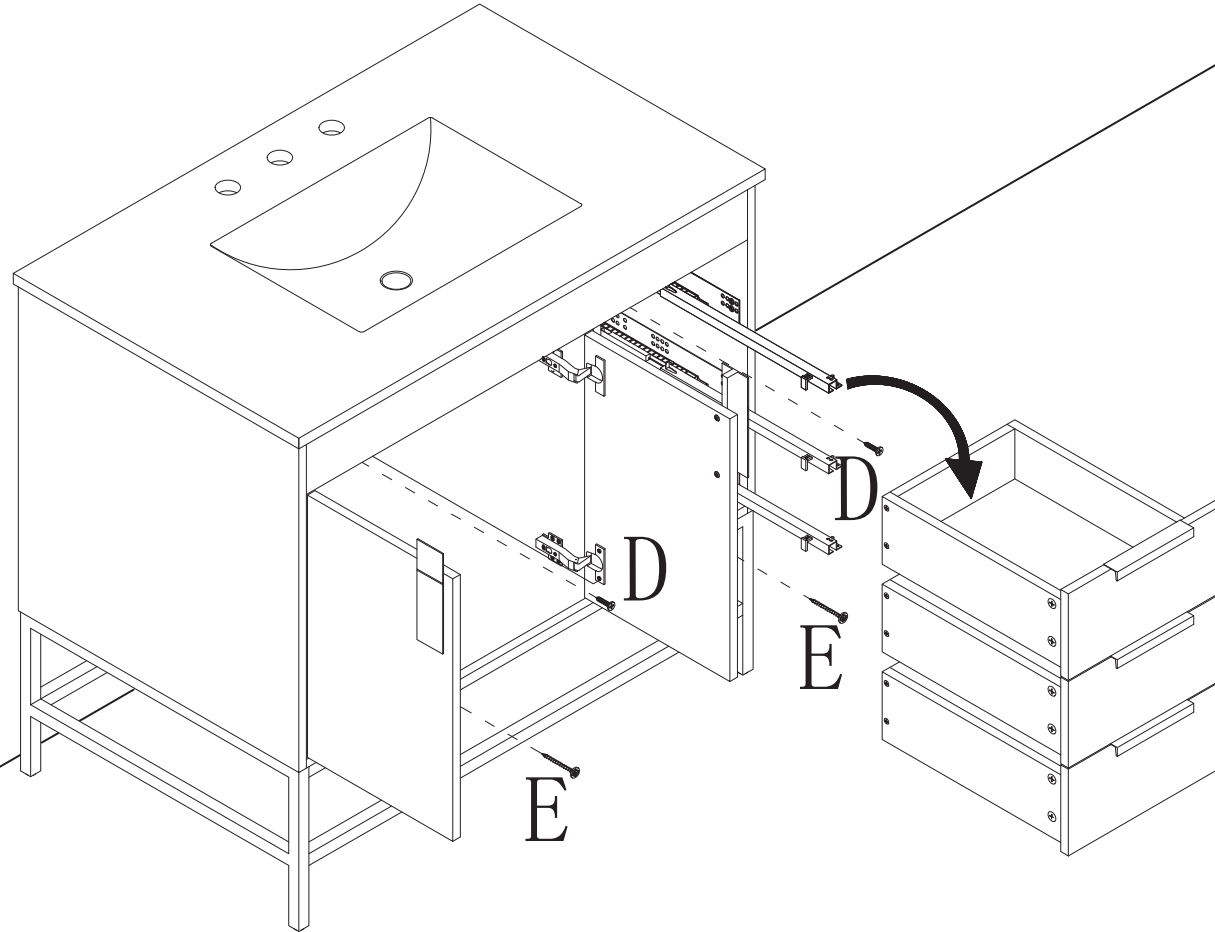
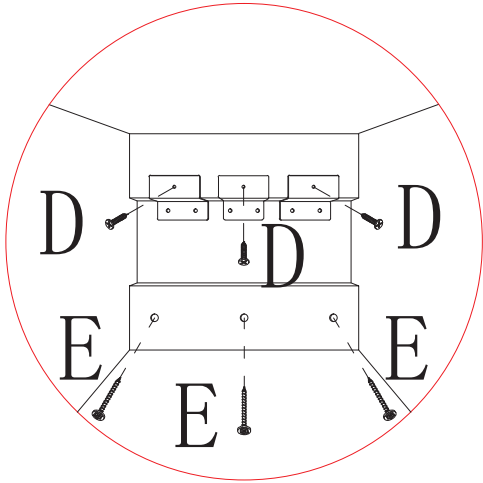
Wall



Step 6



Step 7



Finished

