
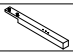
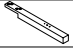
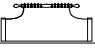
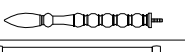
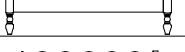
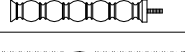
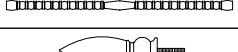
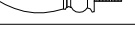






# BECKETT KING BED BECKETT QUEEN BED

Assembly instructions:

## PARTS LIST

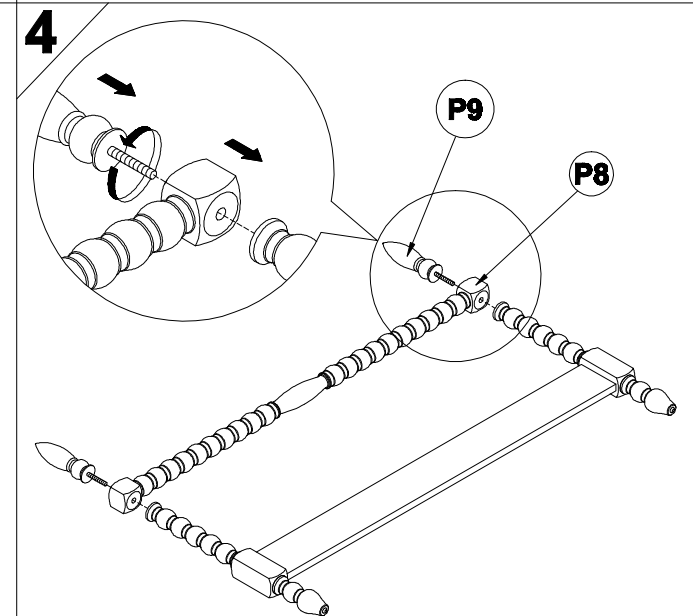
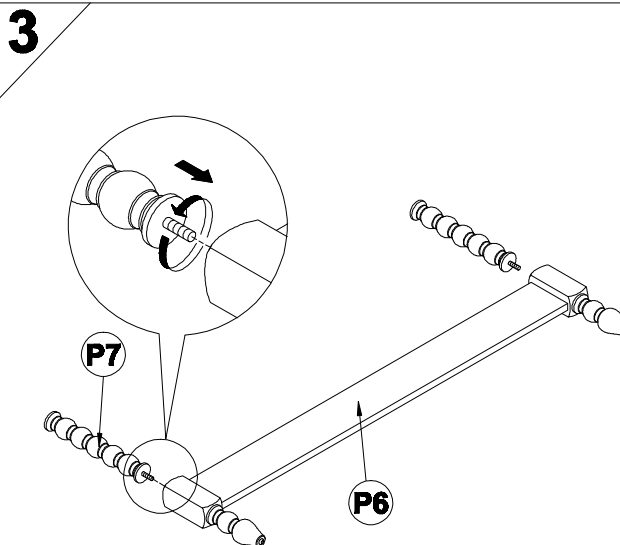
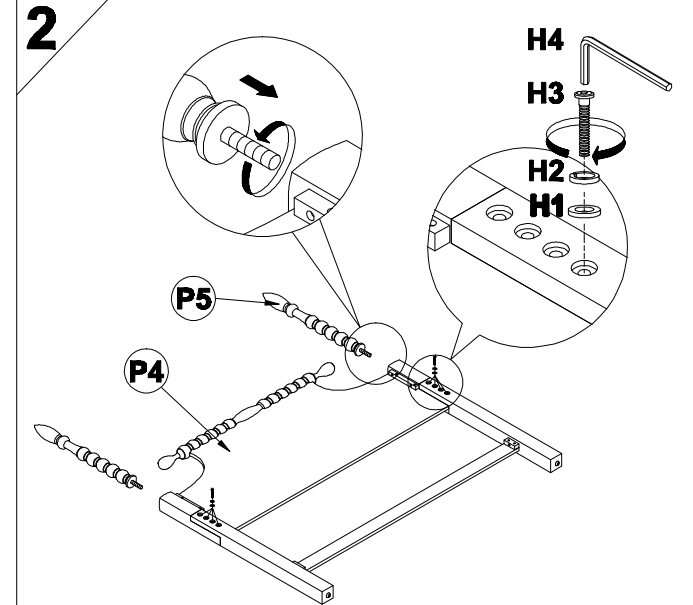
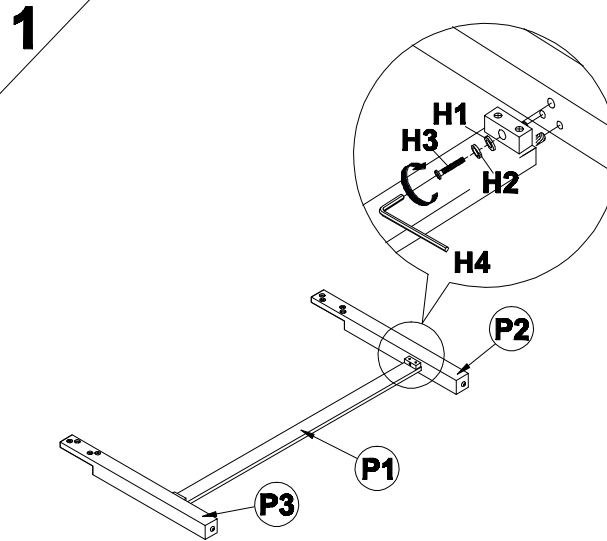
No.	DESCRIPTION	IMAGE	QTY
P1	STRETCHER		1
P2	HEADBOARD LEG (LEFT)		1
P3	HEADBOARD LEG (RIGHT)		1
P4	HEADBOARD		1
P5	HEADBOARD FINIAL		2
P6	FOOTBOARD		1
P7	TURNING POST		2
P8	TOP RAIL		1
P9	FOOTBOARD FINIAL		2

## HARDWARE LIST

No.	DESCRIPTION	IMAGE	QTY
H1	FLAT WASHER		10
H2	SPRING WASHER		10
H3	BOLT		10
H4	ALLEN KEY		1

**NOTE:** PO# is located underneath/ inside of each item. Please be prepared to provide this # should any claim be necessary.

**CAUTION:** Item is heavy assembly should be performed by two people.



# BECKETT KING BED BECKETT QUEEN BED

Assembly instructions:

### PARTS LIST

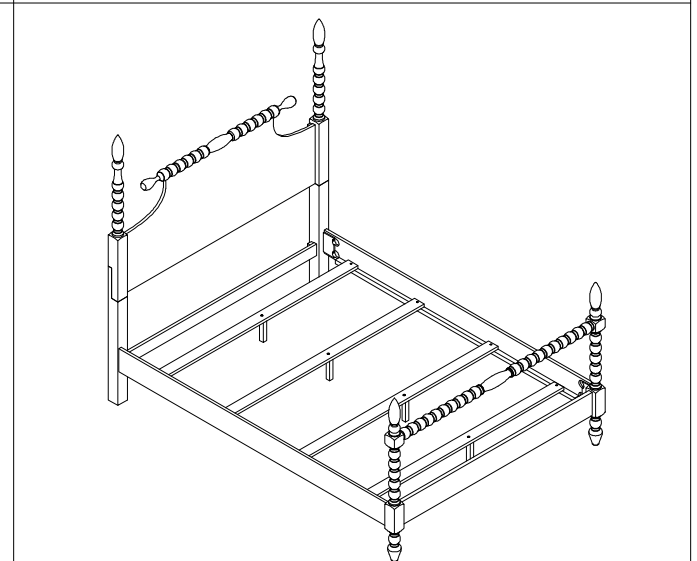
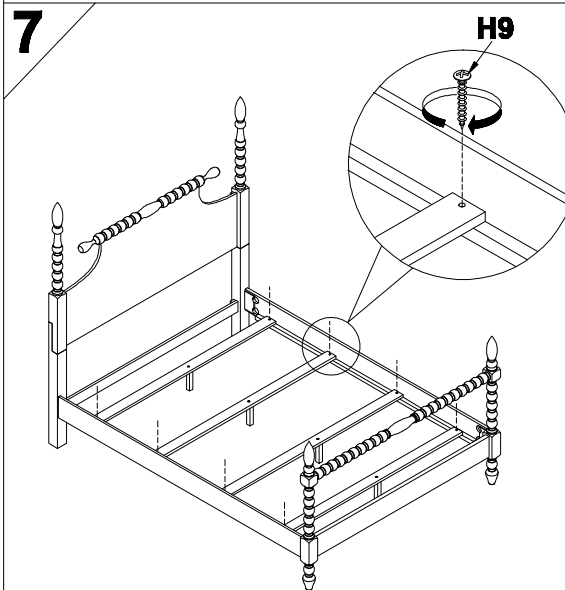
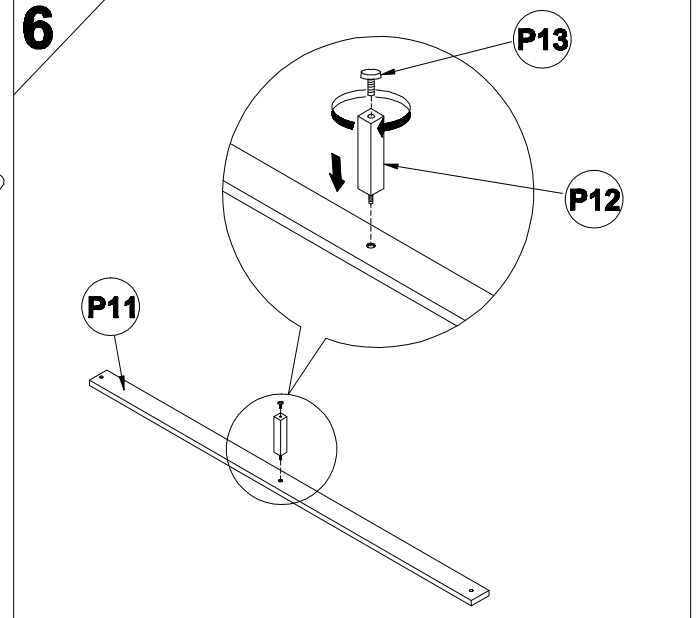
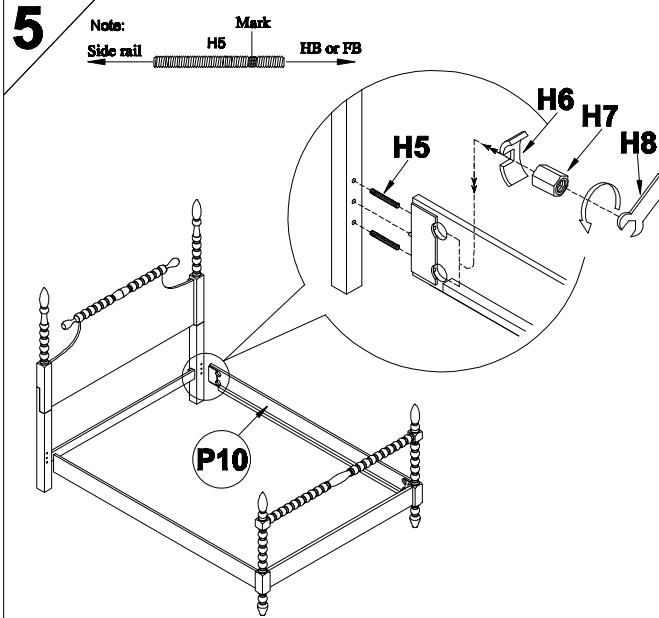
No.	DESCRIPTION	IMAGE	QTY
P10	SIDE RAIL		2
P11	SLAT		4
P12	SLAT SUPPORT		KING = 8 QUEEN = 4
P13	LEVELER		KING = 8 QUEEN = 4

### HARDWARE LIST

No.	DESCRIPTION	IMAGE	QTY
H5	BOLT		8
H6	"C" WASHER		8
H7	HEX NUT		8
H8	WRENCH		1
H9	SCREW		8

**NOTE:** PO# is located underneath/ inside of each item. Please be prepared to provide this # should any claim be necessary.

**CAUTION:** Item is heavy assembly should be performed by two people.



**ASSEMBLED COMPLETE**