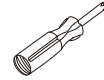


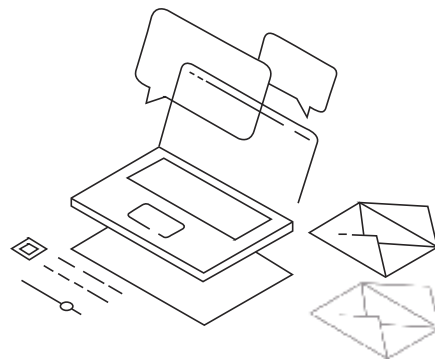
INSTALLATION MANUAL



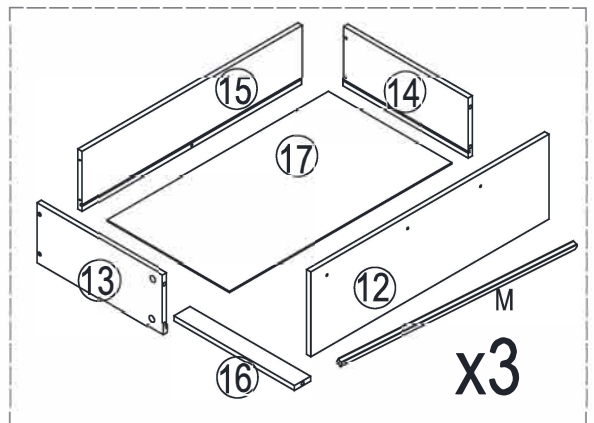
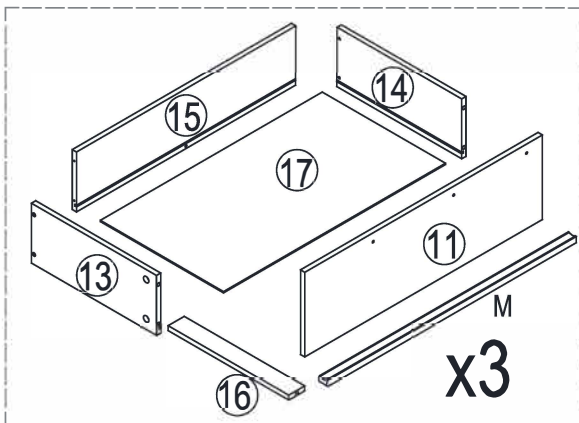
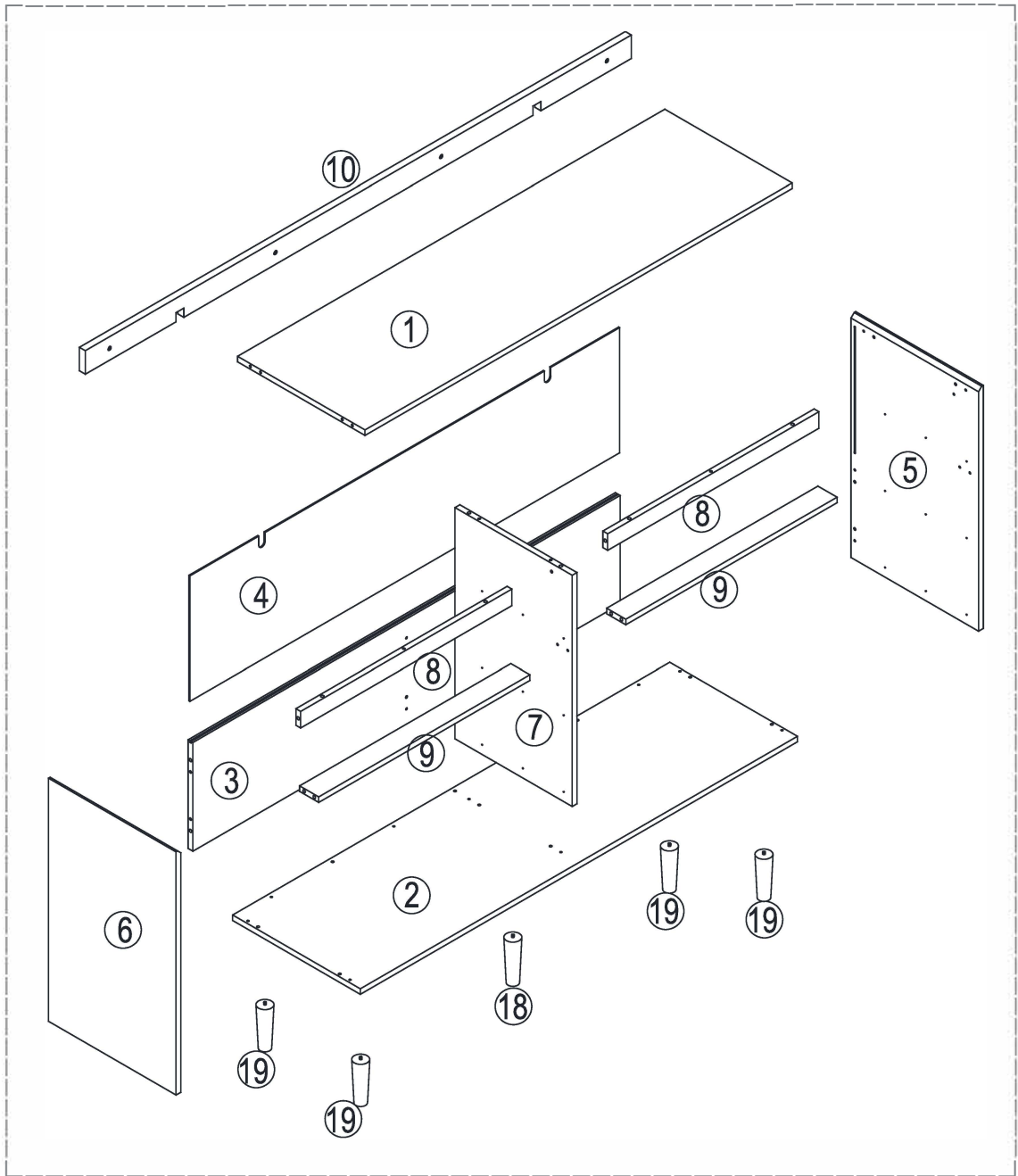
* Guests need to prepare their own :

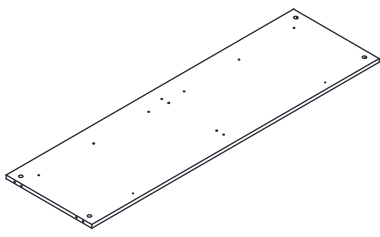


Phillips screwdriver

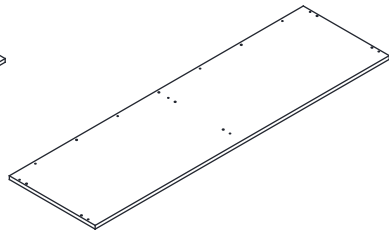


PARTS

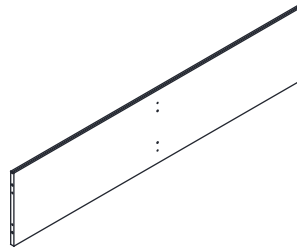




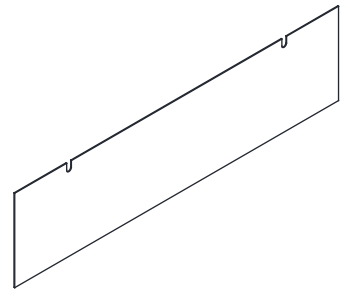
① x 1PC



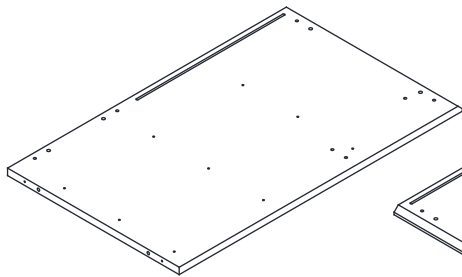
② x 1PC



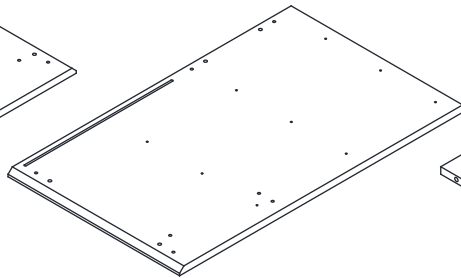
③ x 1PC



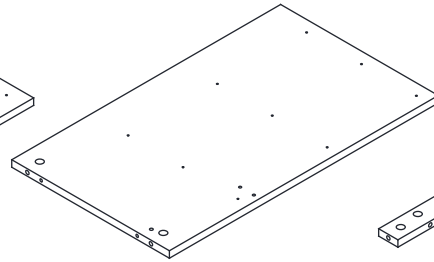
④ x 1PC



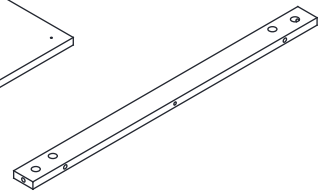
⑤ x 1PCS



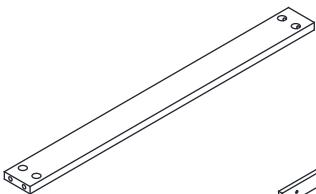
⑥ x 1PC



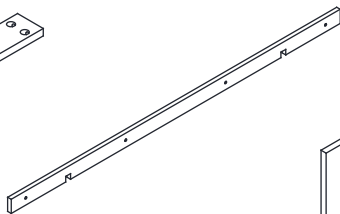
⑦ x 1PC



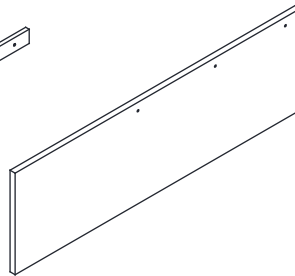
⑧ x 2PC



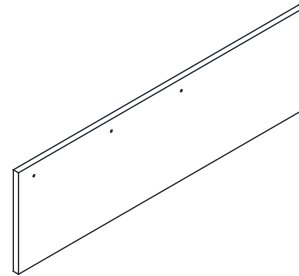
⑨ x 2PC



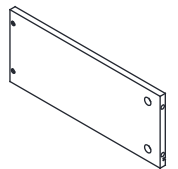
⑩ x 1PC



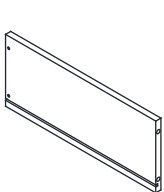
⑪ x 3PCS



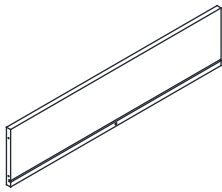
⑫ x 3PCS



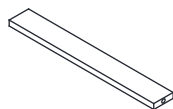
⑬ x 6PCS



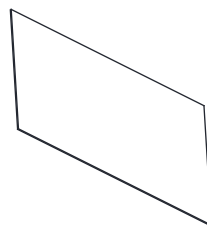
⑭ x 6PCS



⑮ x 6PCS



⑯ x 6PCS



⑰ x 6PCS



⑱ x 1PC



19 x 4PC



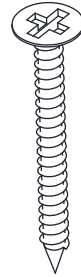
M6 x 35

A x 56 (+6)



Ø6 x 30

B x 23 (+3)



M4 x 35

C x 48 (+5)



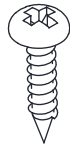
M3 x 14

D x 4 (+1)



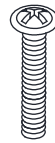
M3.5 x 12

E x 72 (+8)



M4 x 12

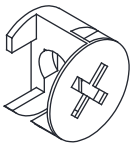
F x 27(+3)



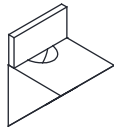
M4 x 14

G x 18 (+2)

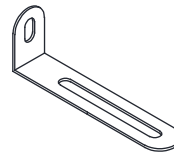
Scale 1 : 1



H x 56 (+6)



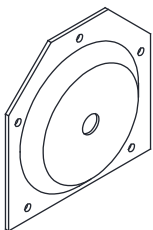
I x 4 (+1)



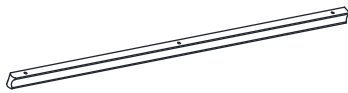
J x 2



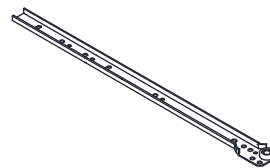
K x 2



L x 5

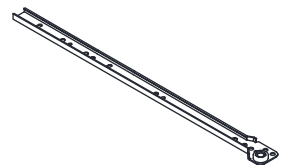


M x 6



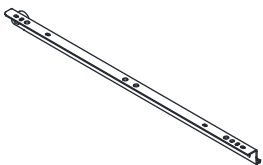
L = 350mm

CL x 6



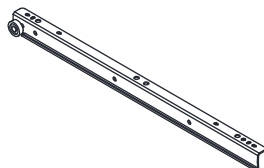
L = 350mm

CR x 6



L = 350mm




DL x 6



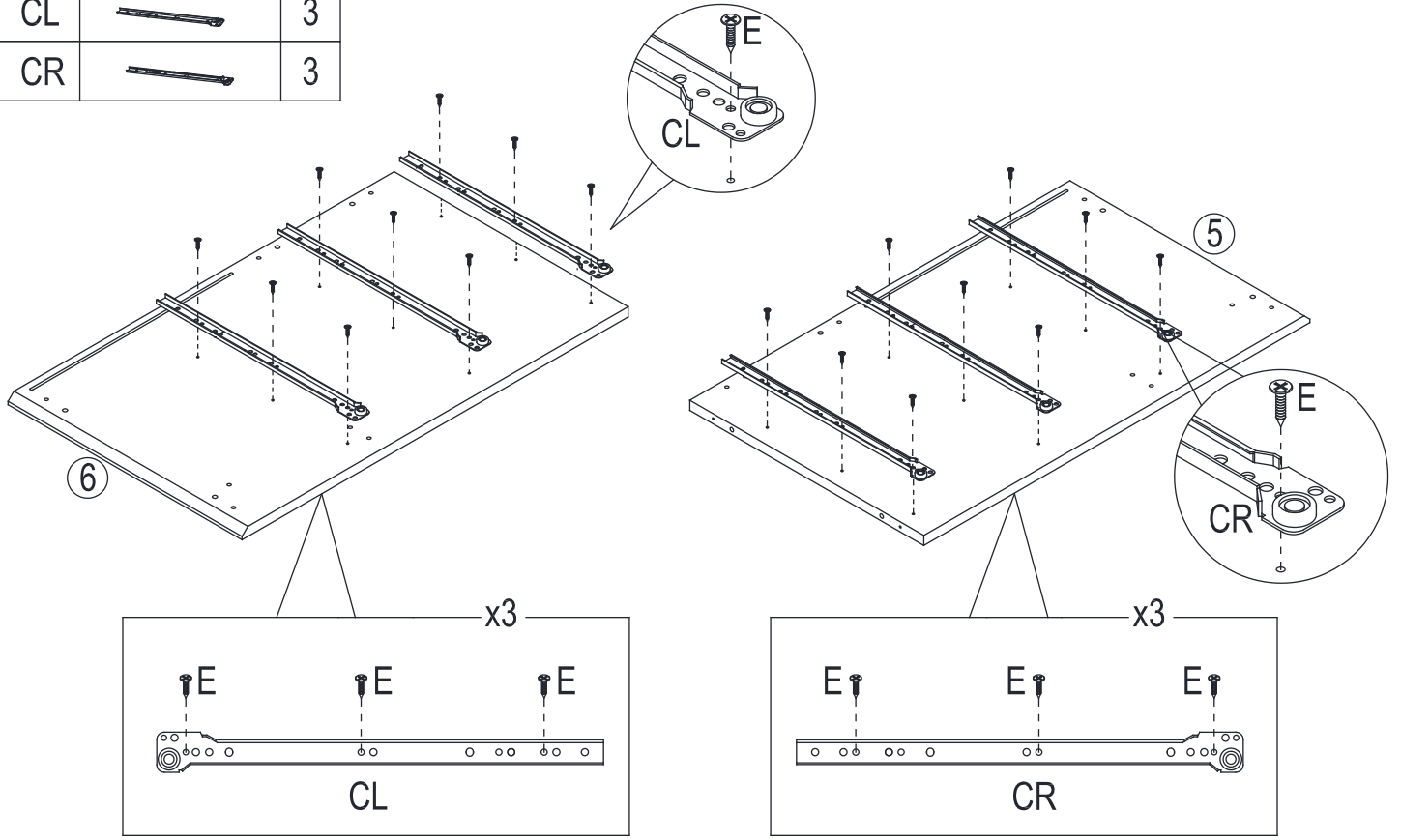
L = 350mm

DR x 6

Note: Some screws include extra pieces for your convenience. Please keep them in case of future use.

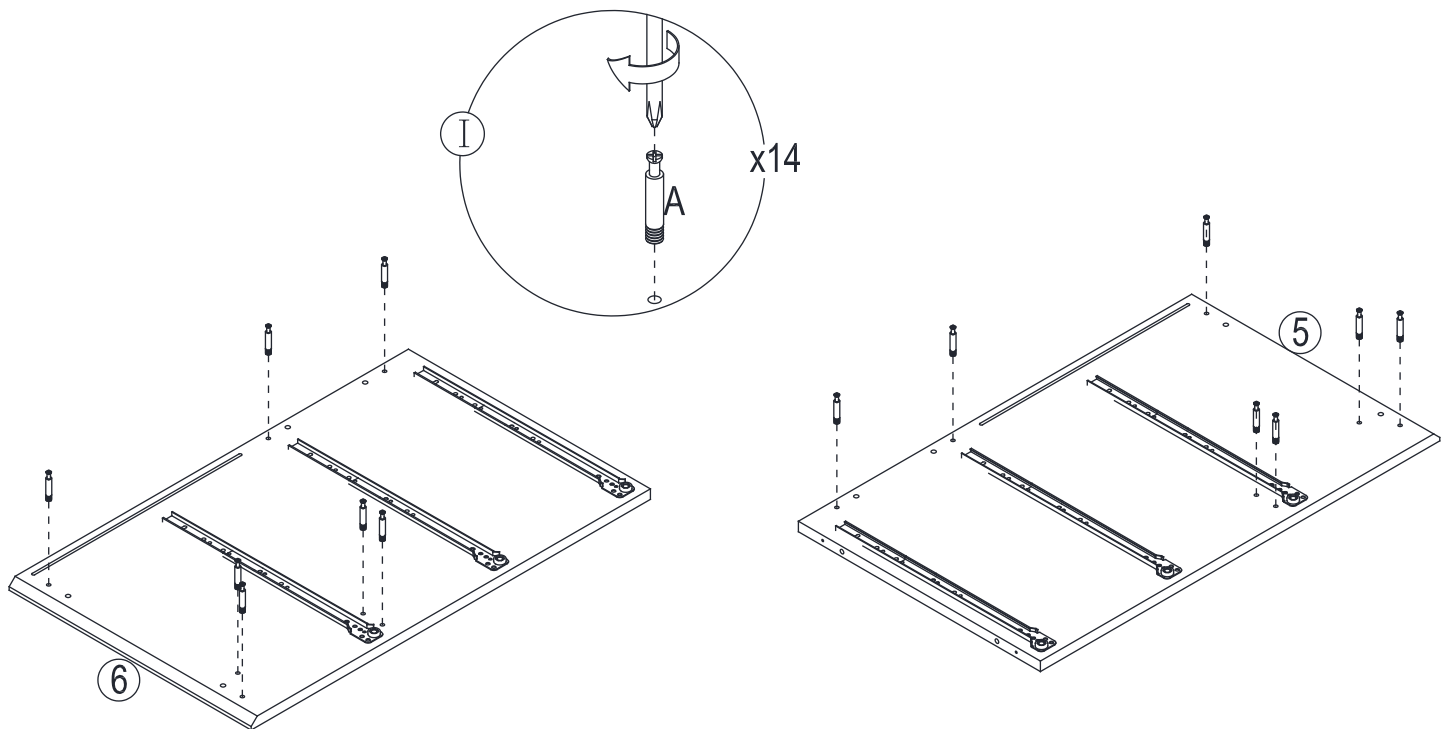
E		18
CL		3
CR		3




1



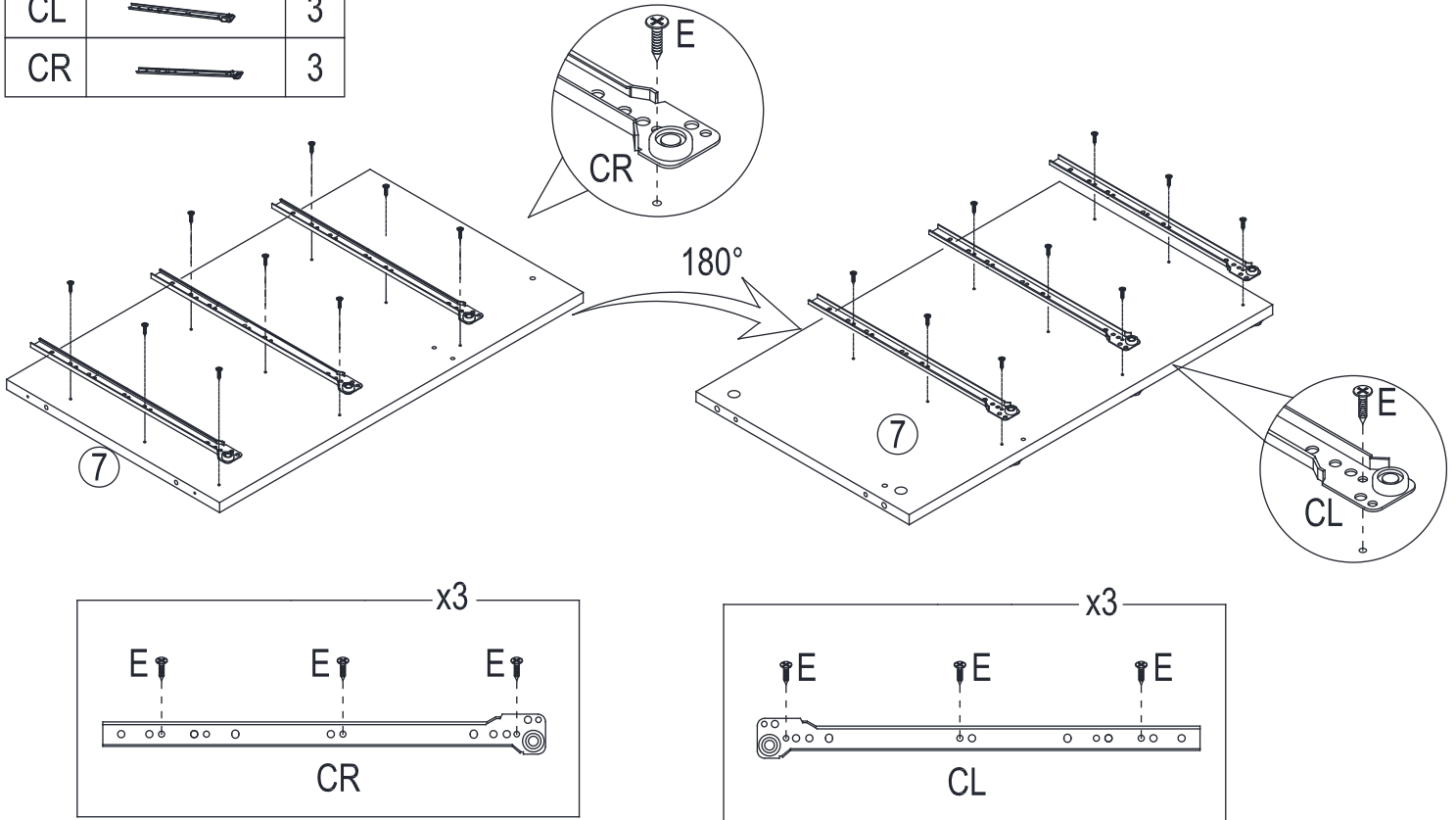
A		14
---	---	----

2



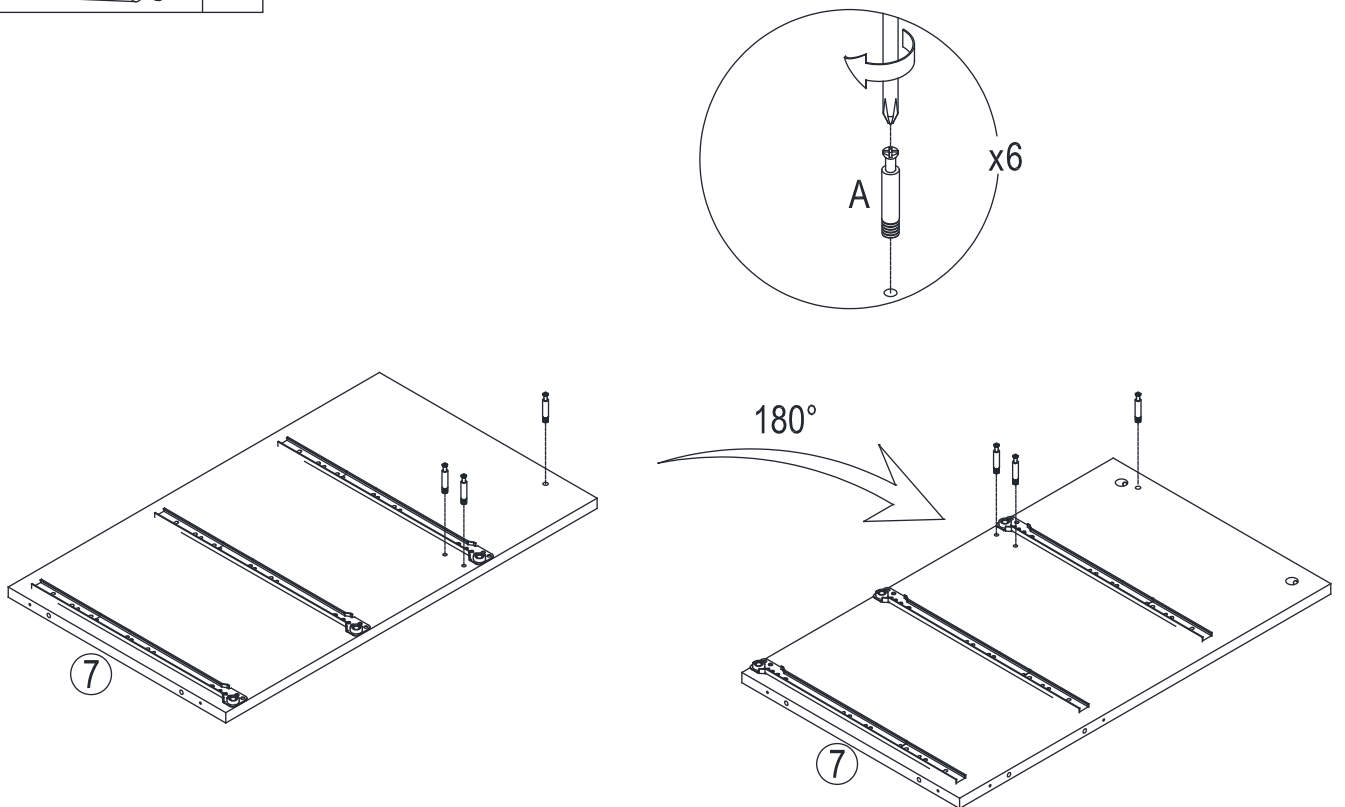
E		18
CL		3
CR		3




3



A		6
---	---	---

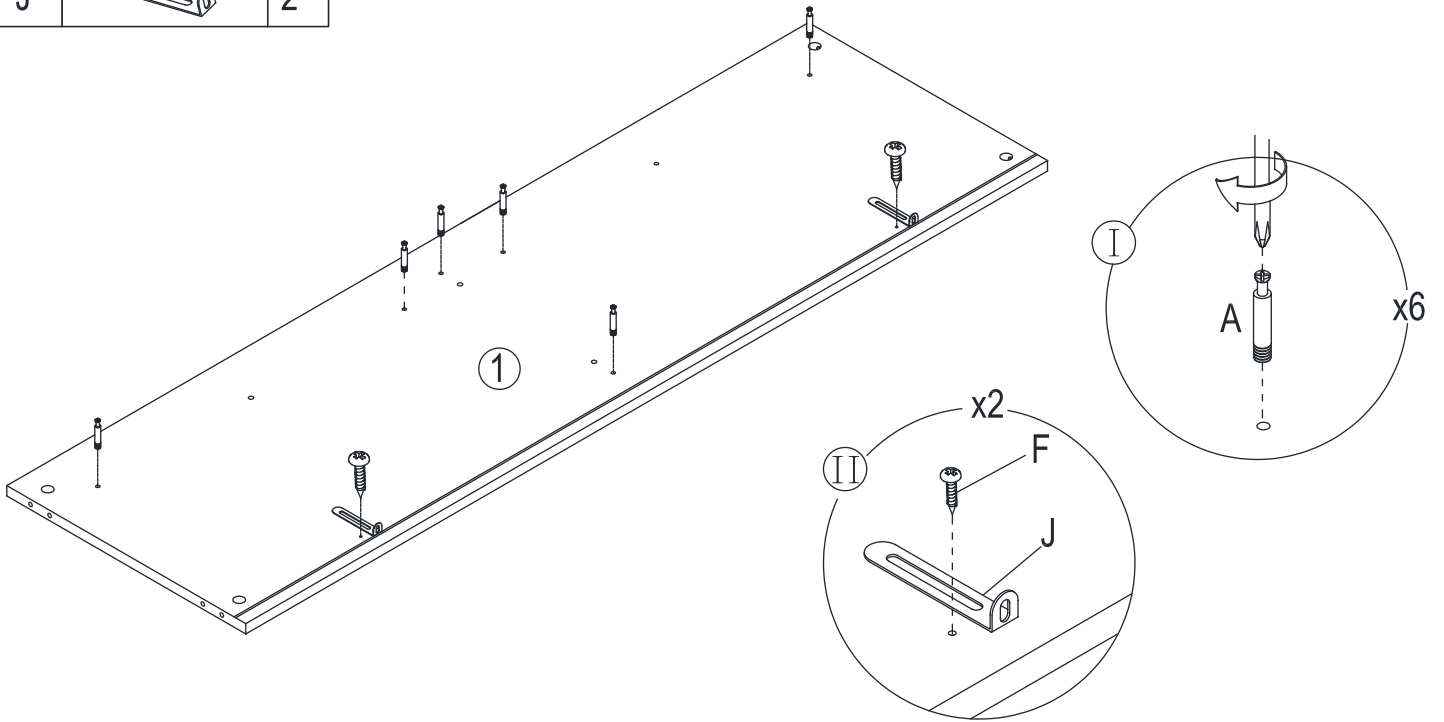
4



F		2
A		6
J		2

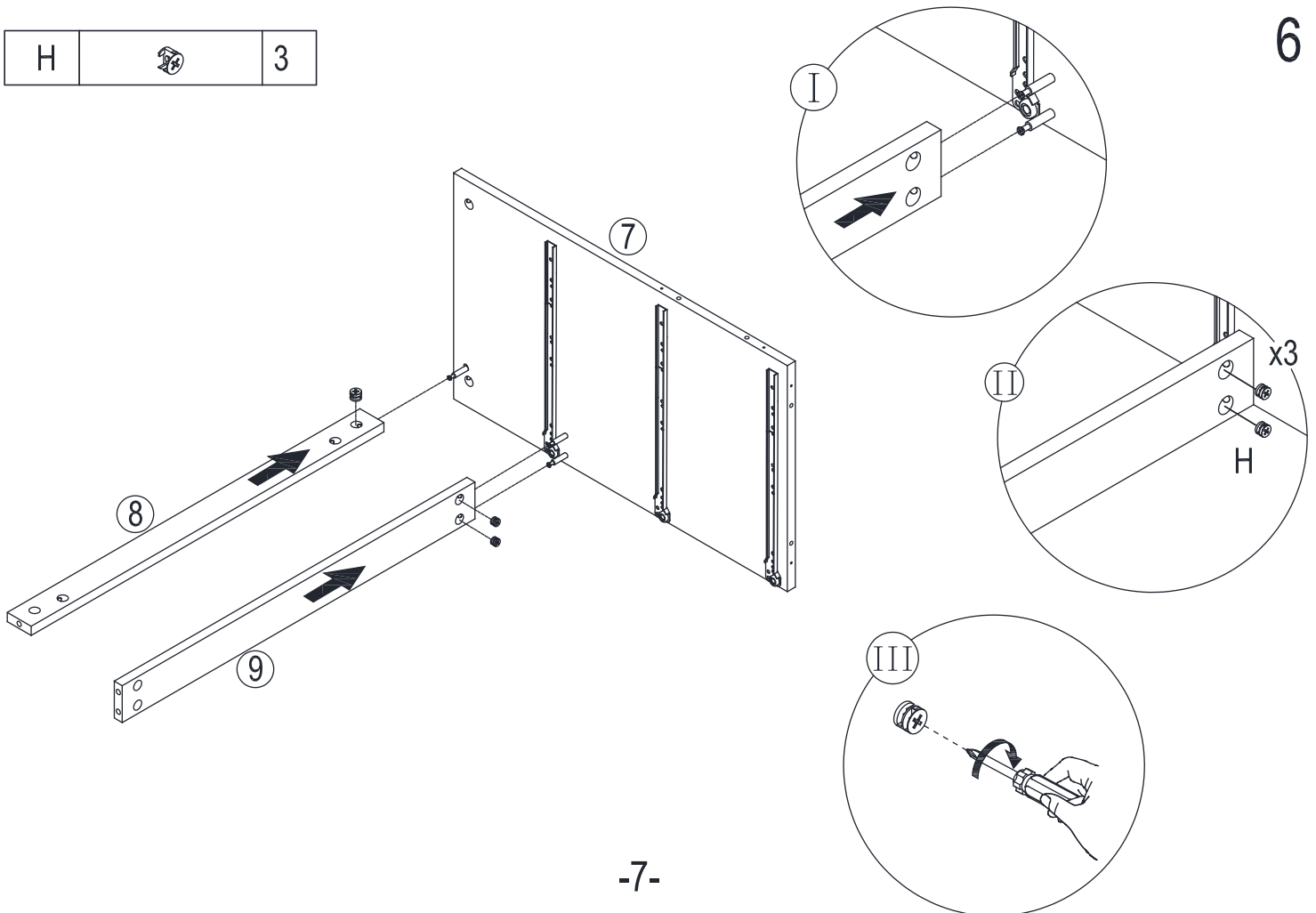
Secure the long side of the 'J' shaped metal plate to Board
 ① using one short 'F' screw.

5



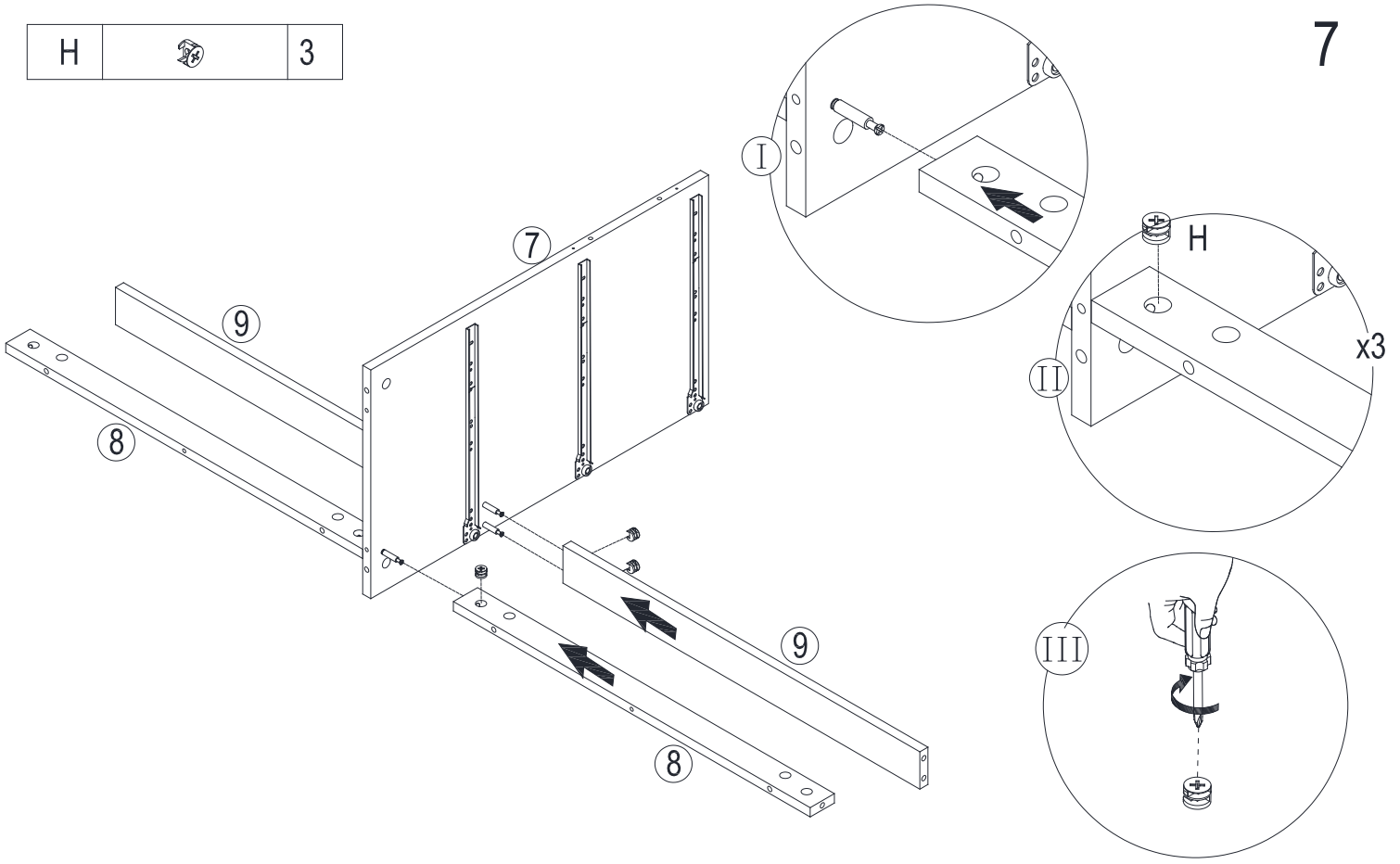
H		3
---	---	---



6



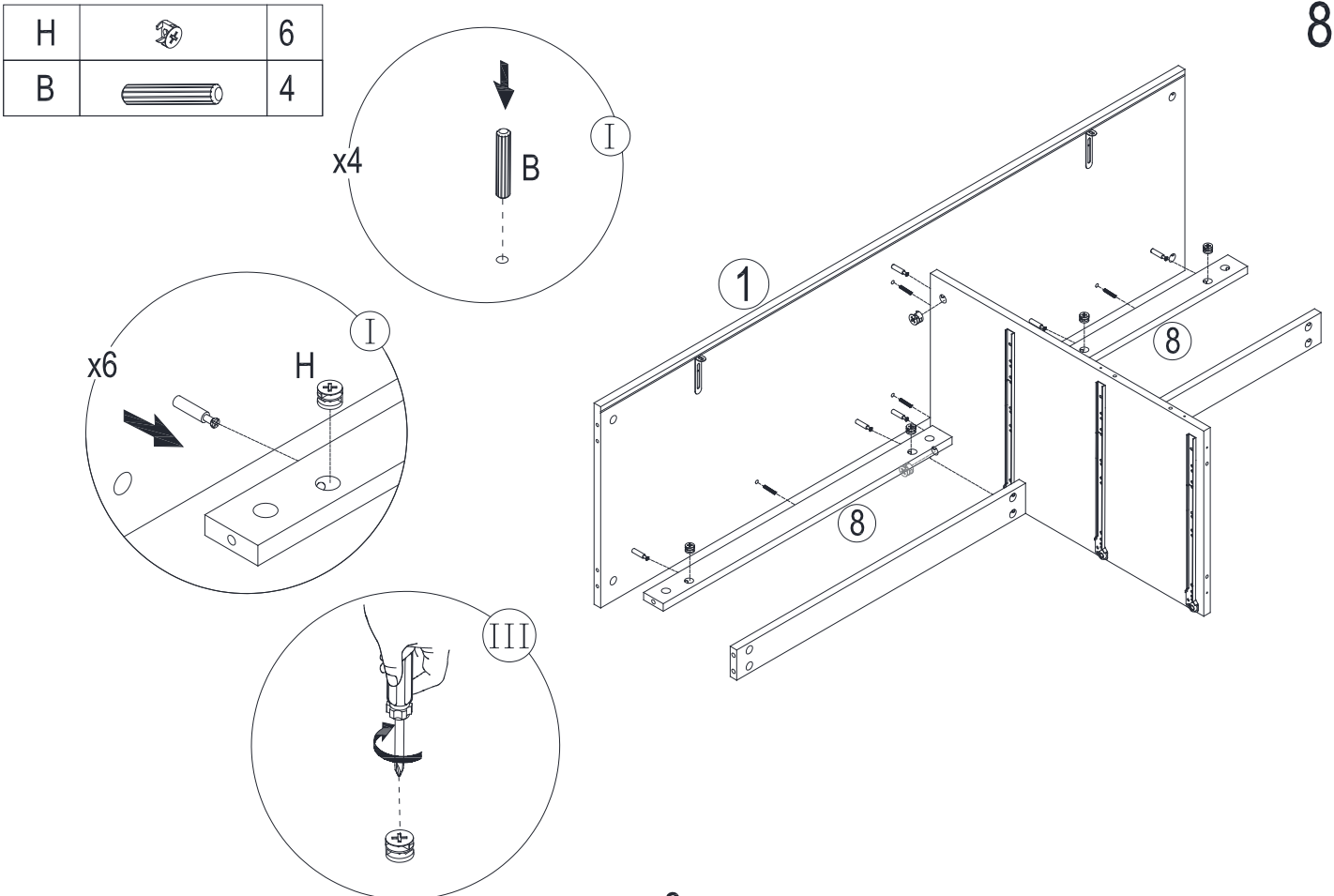
H		3
---	---	---



7

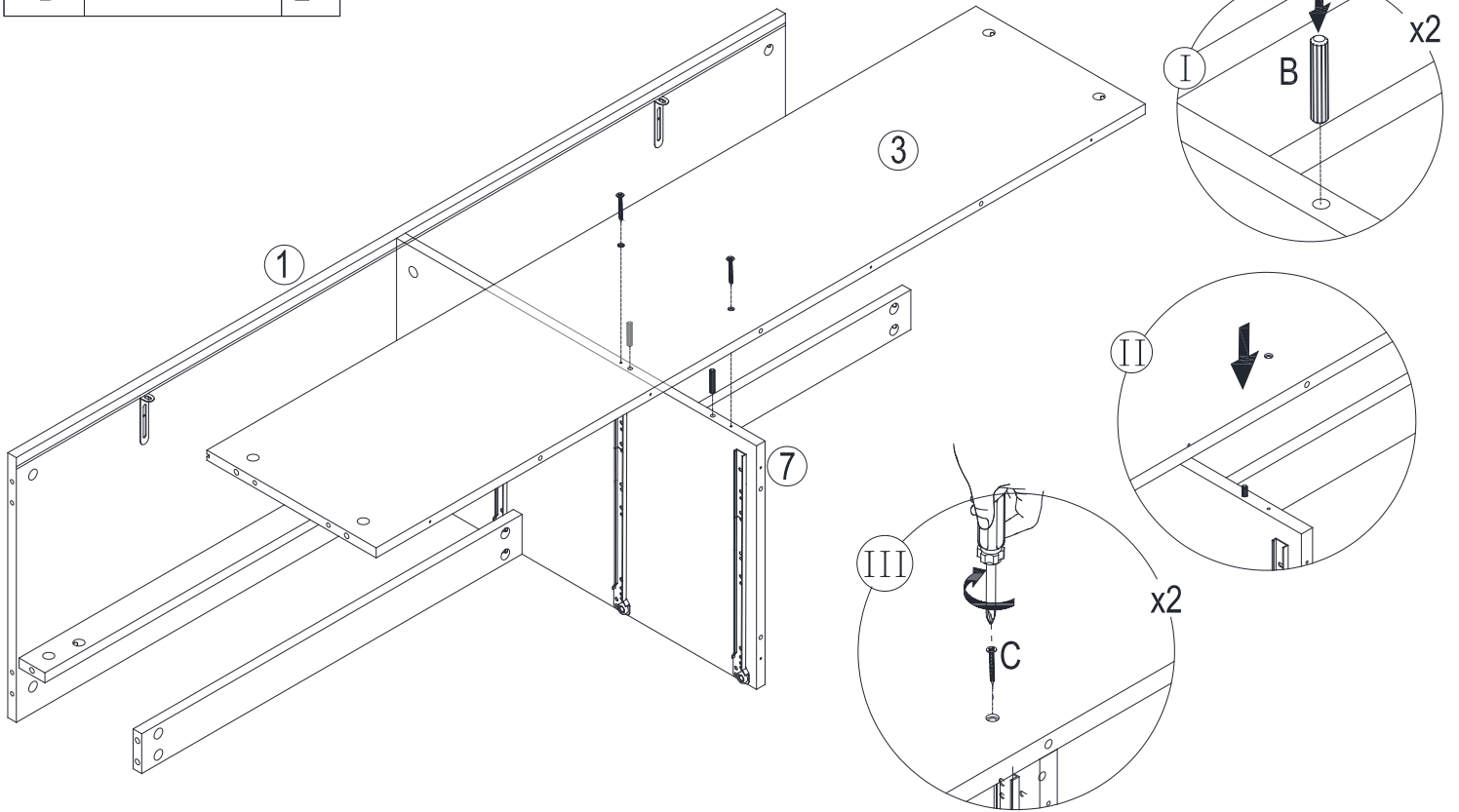


H		6
B		4



8

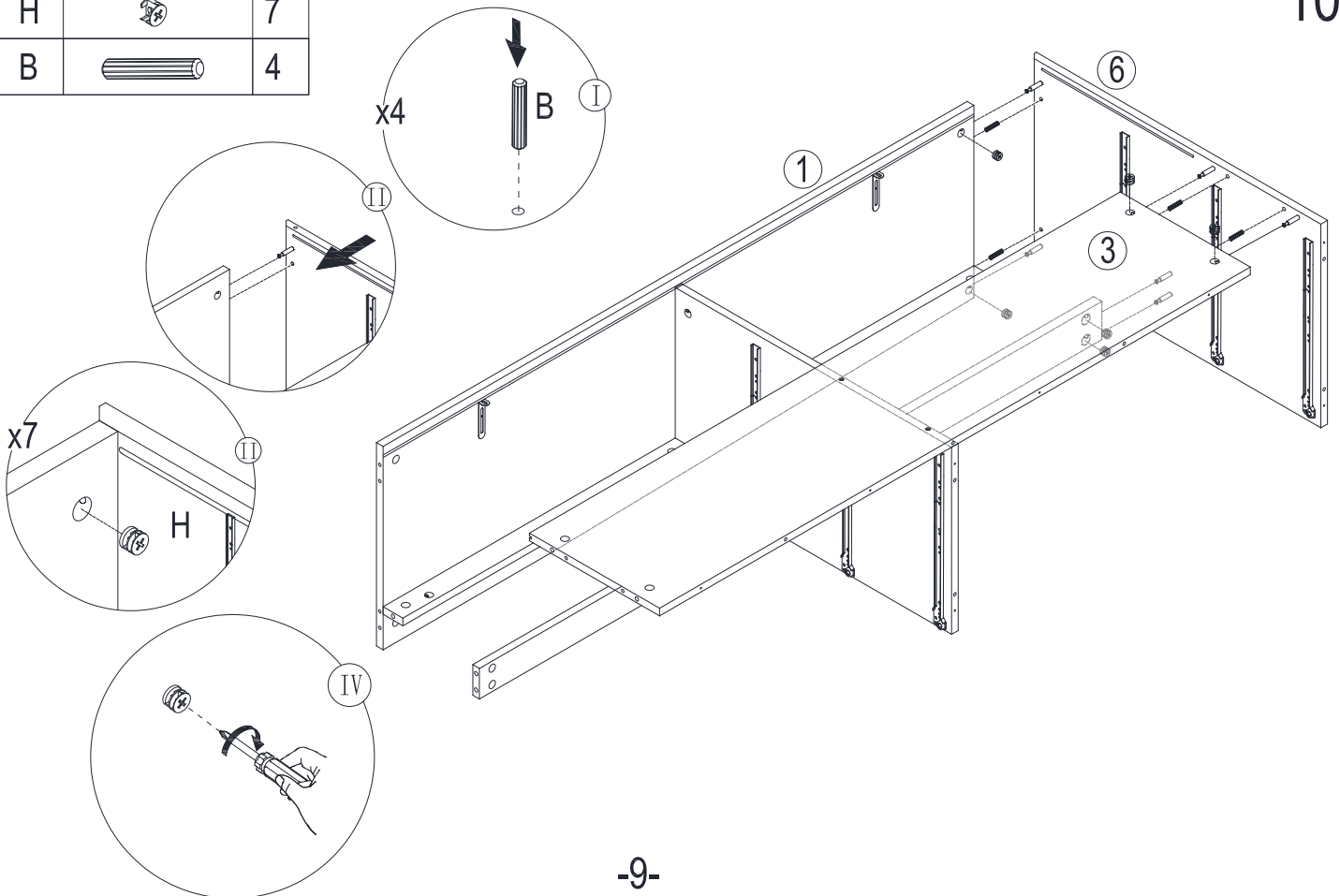


C		2
B		2

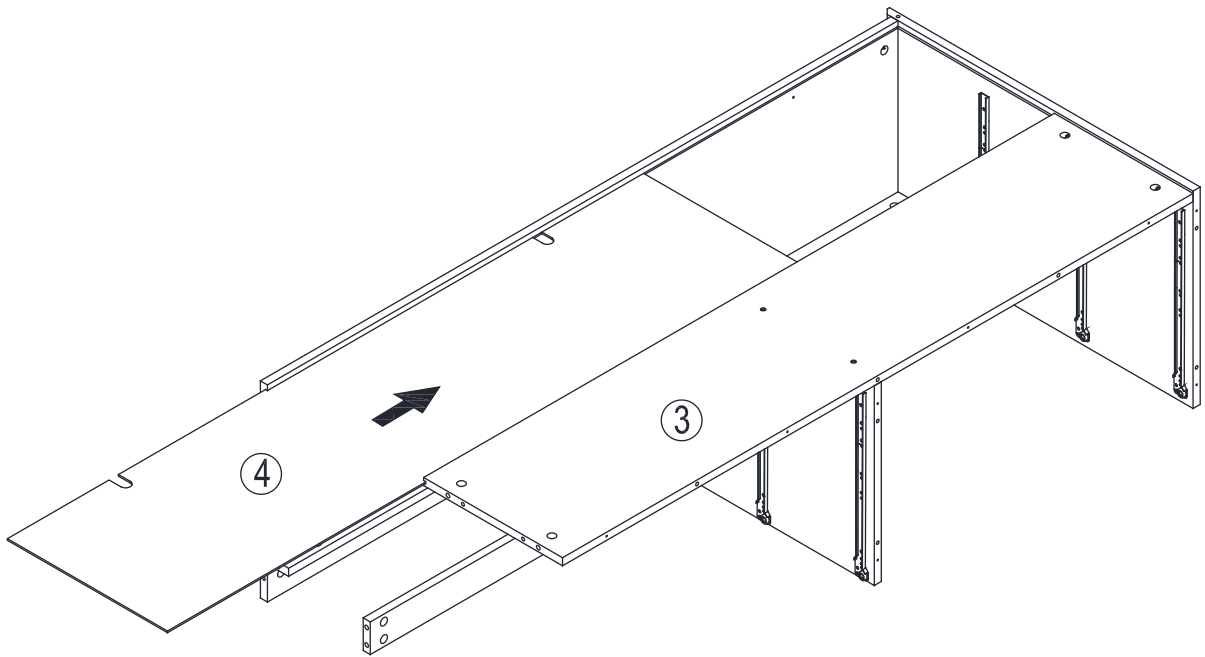




9

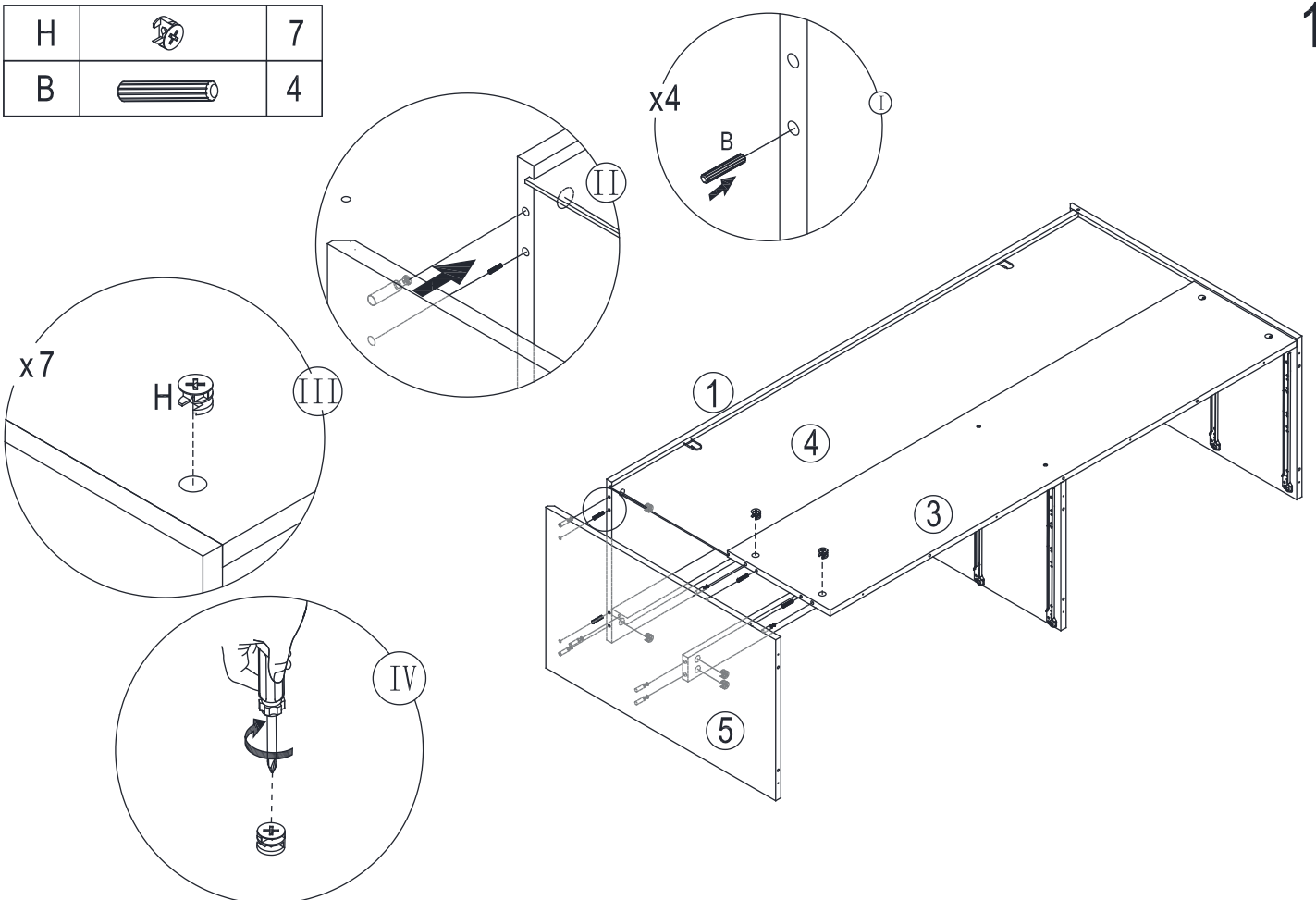
H		7
B		4



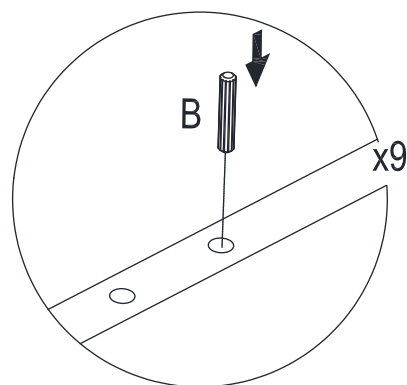
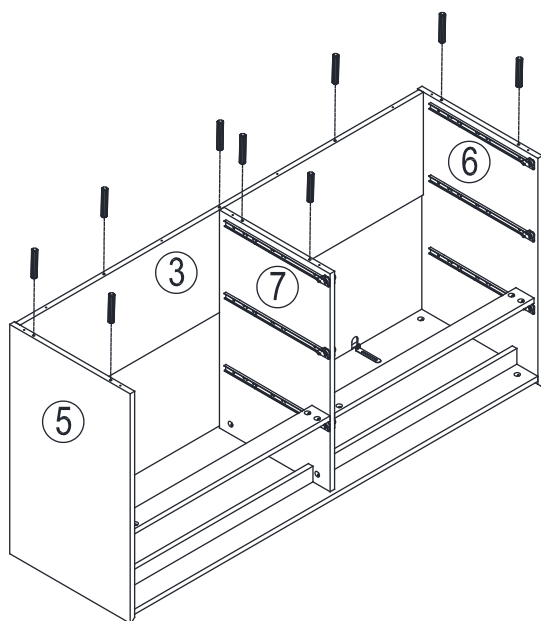
10



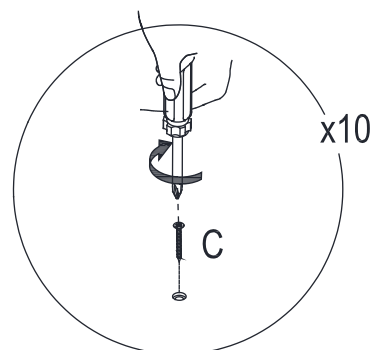
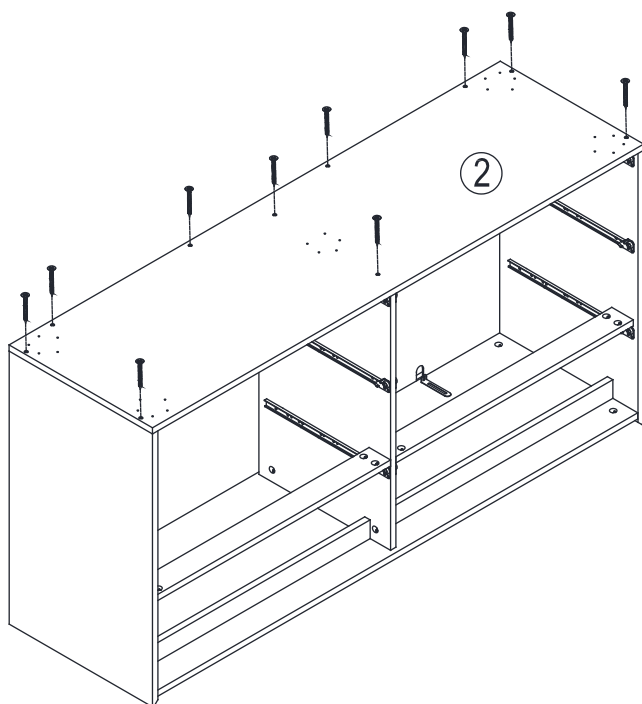
H		7
B		4





B		9
---	---	---

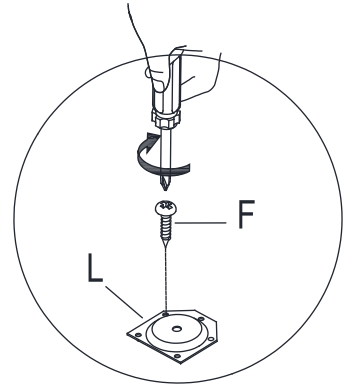
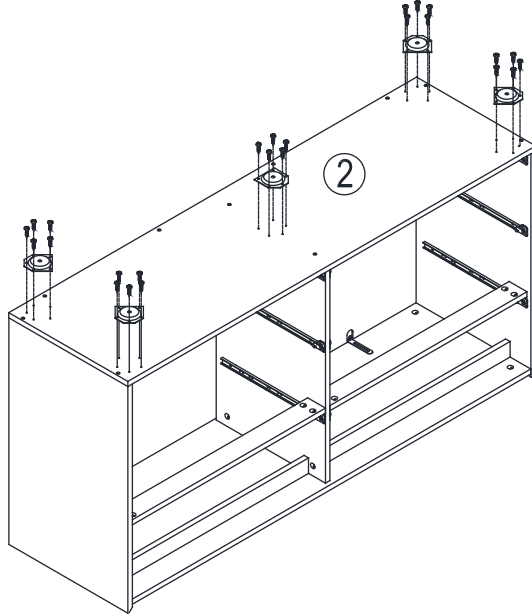


C		10
---	---	----

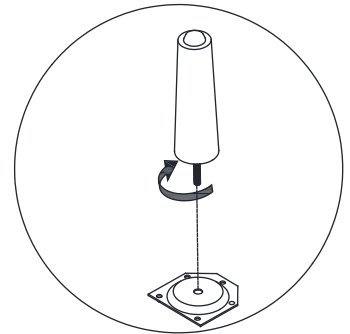
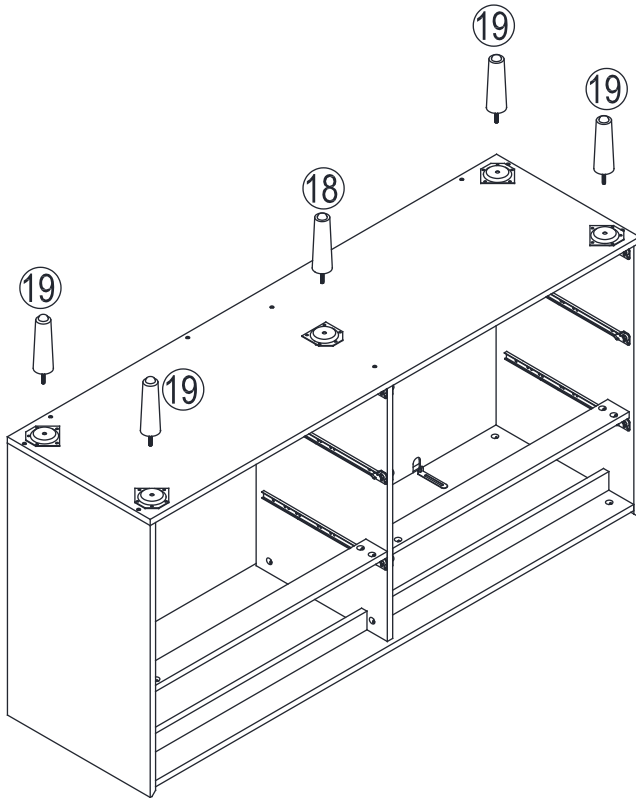


F		25
L		5

15

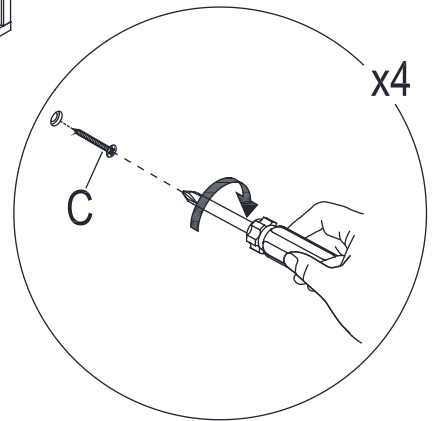
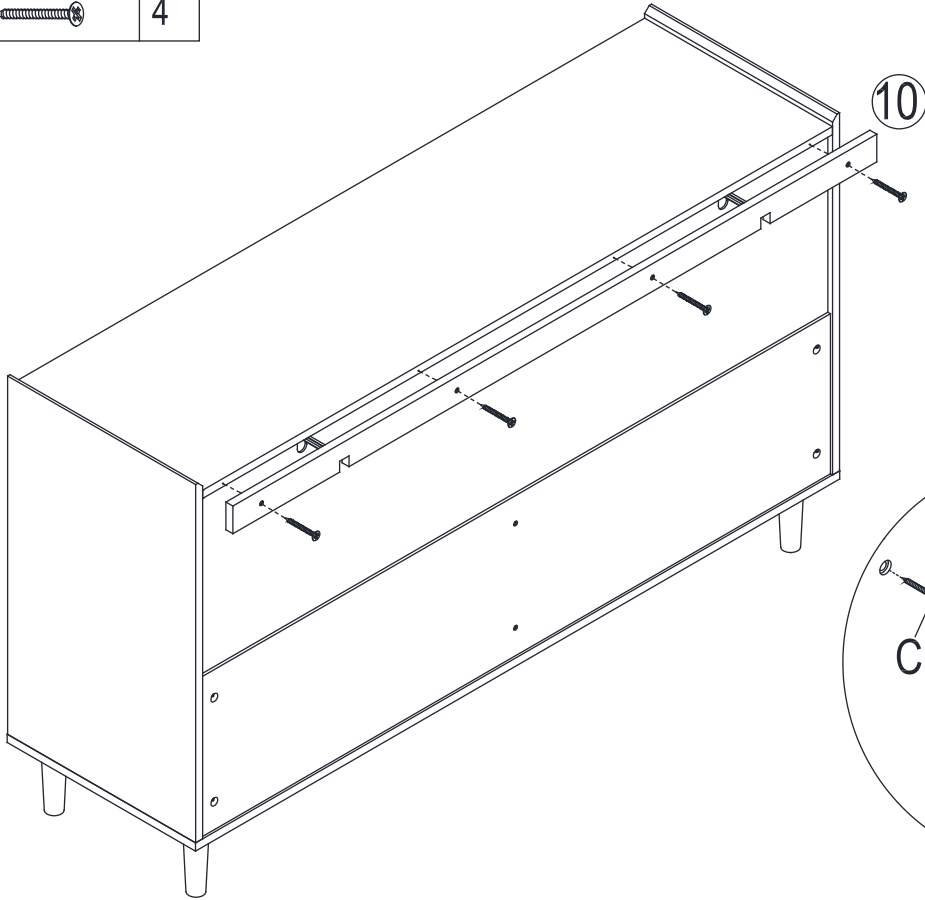


16

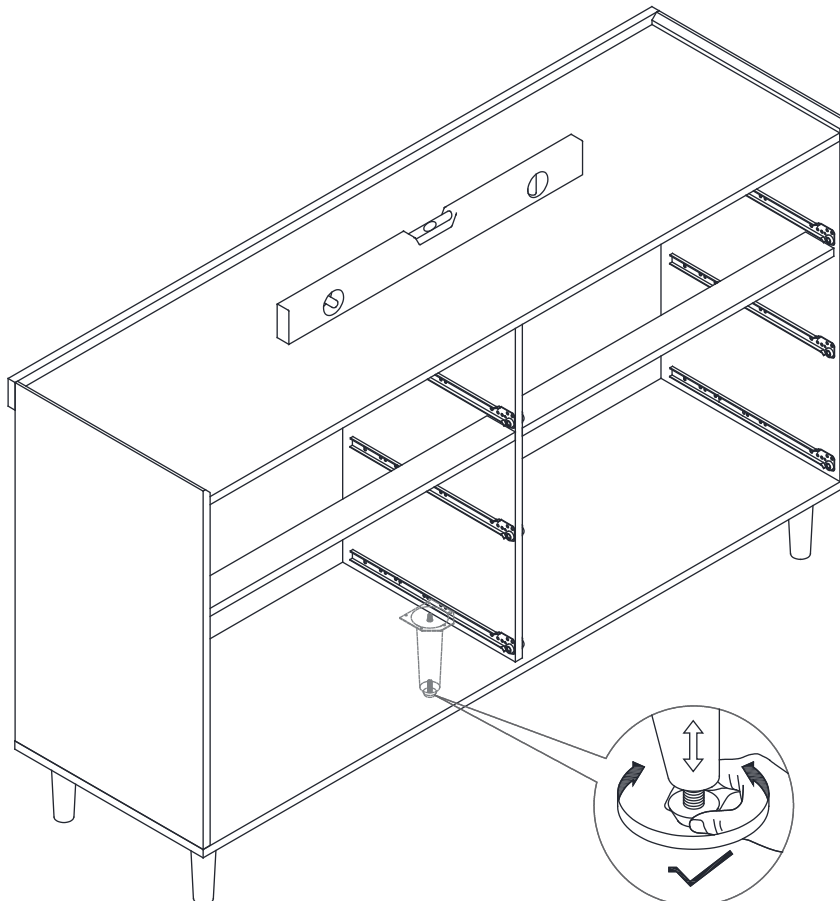




17

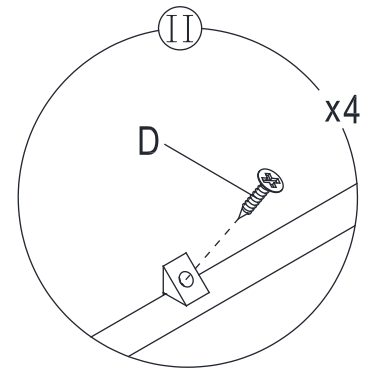
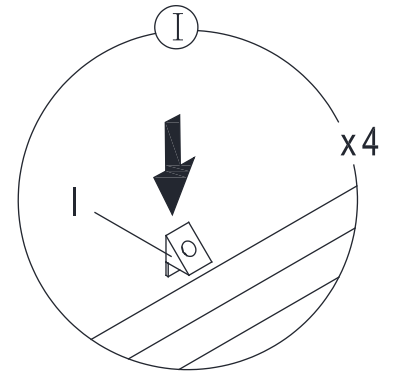
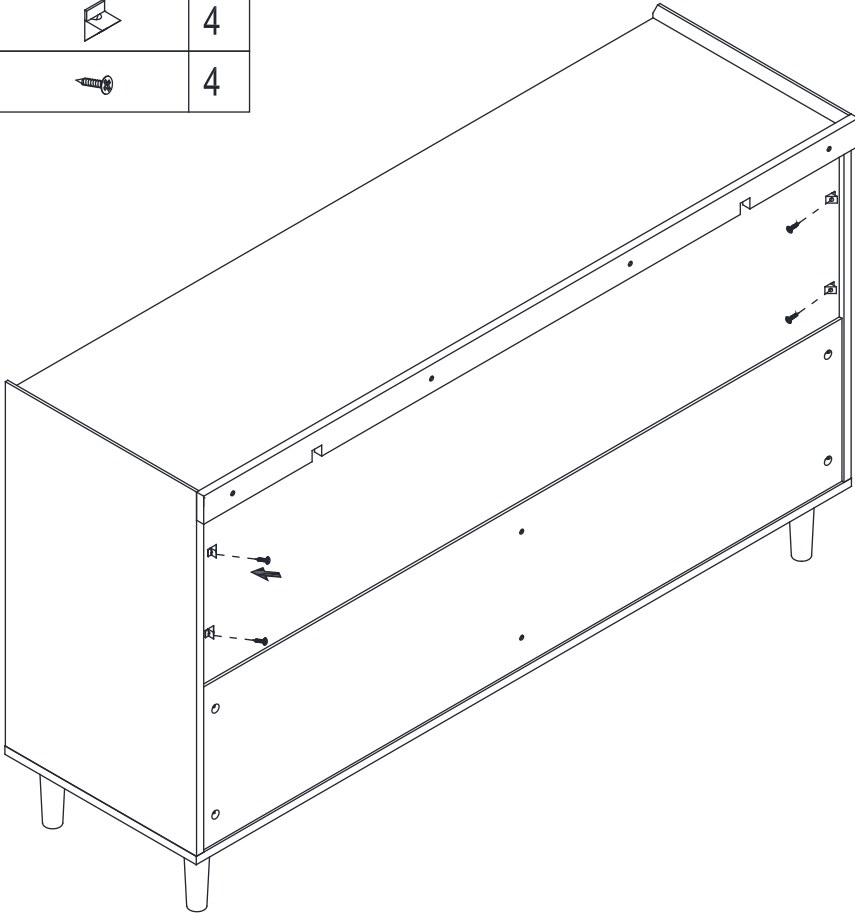
C		4
---	---	---



18

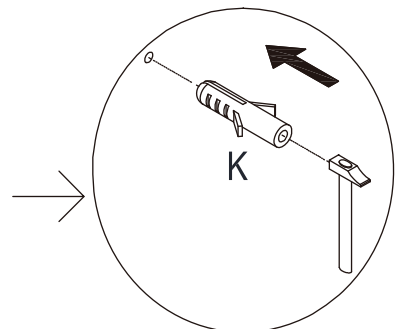
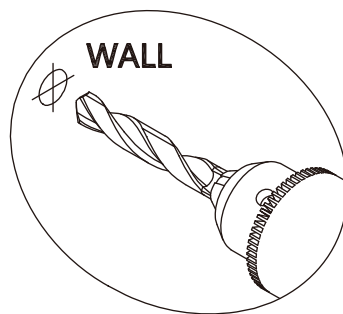
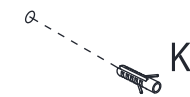
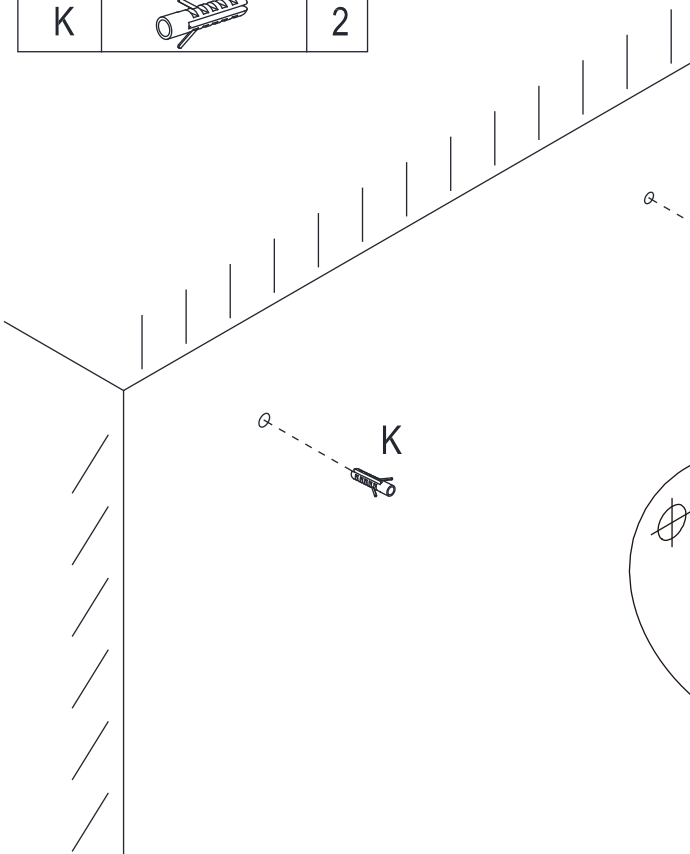



I		4
D		4



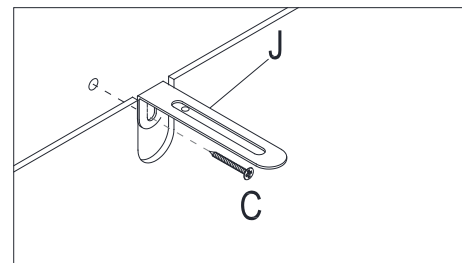
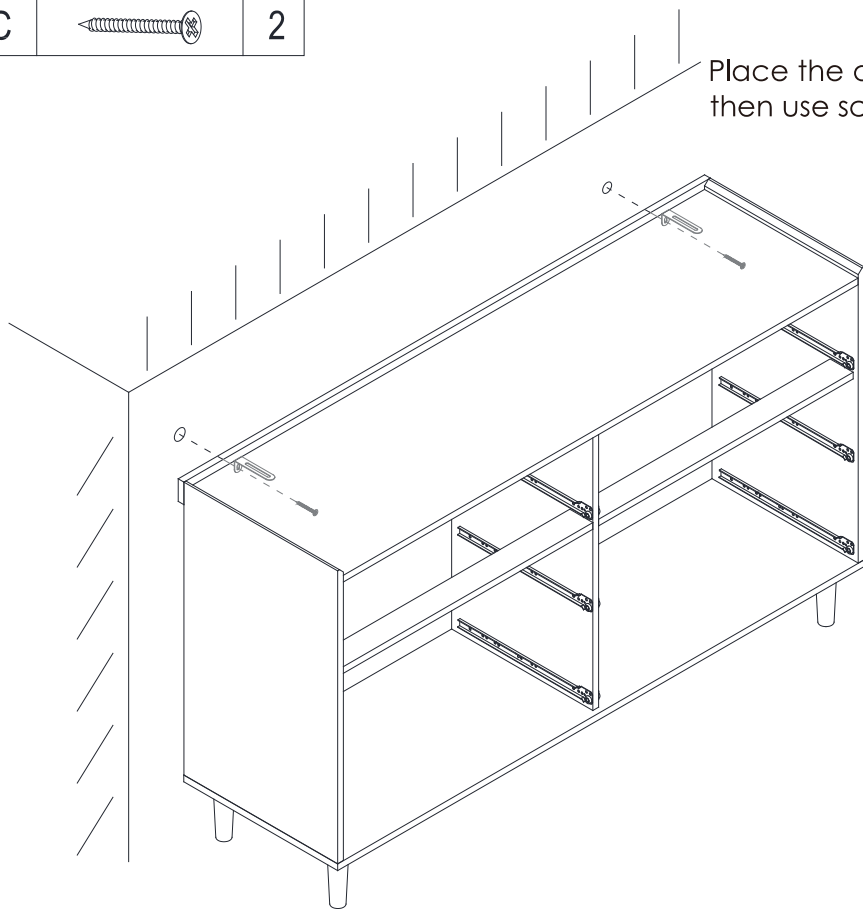
K		2
---	---	---


Drill two holes in the wall at the marked position for installing the anti-tip device.

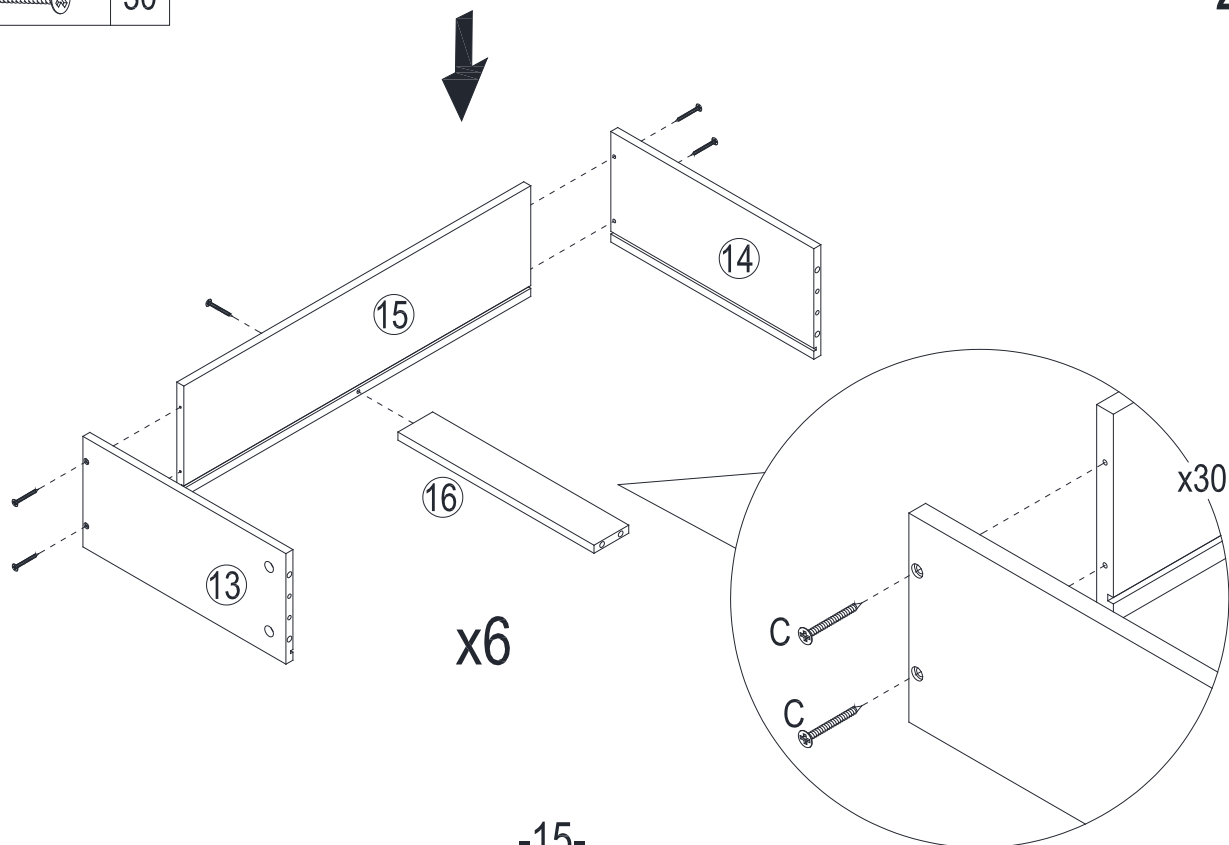


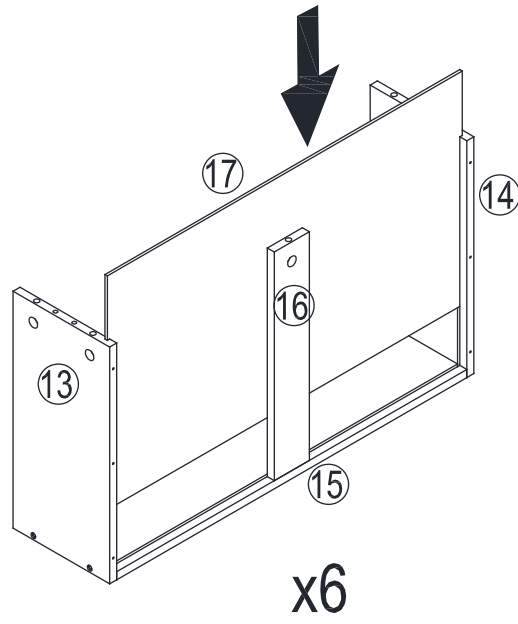
C		2
---	---	---

Place the dresser in the desired position, then use screw C to anchor it securely to the wall.

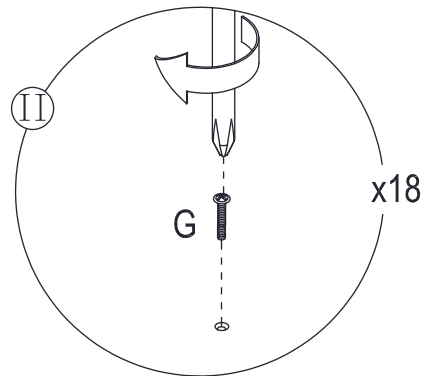
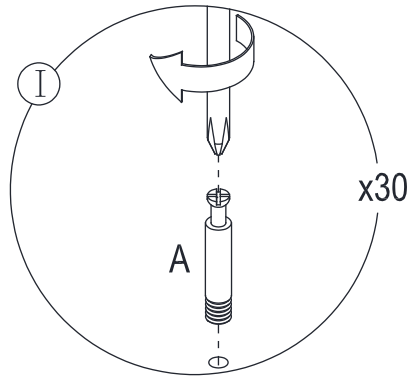
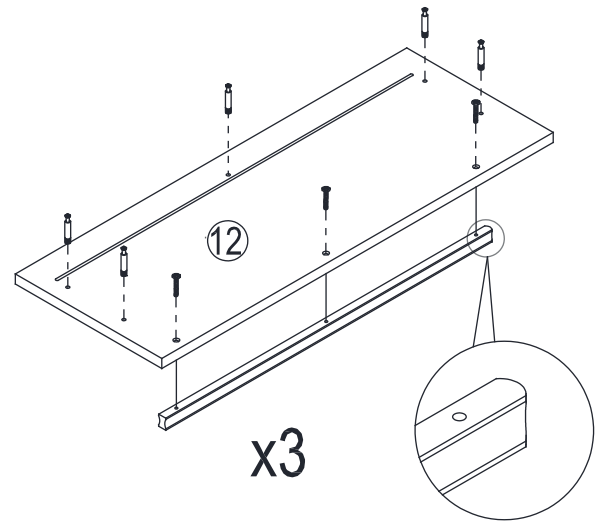
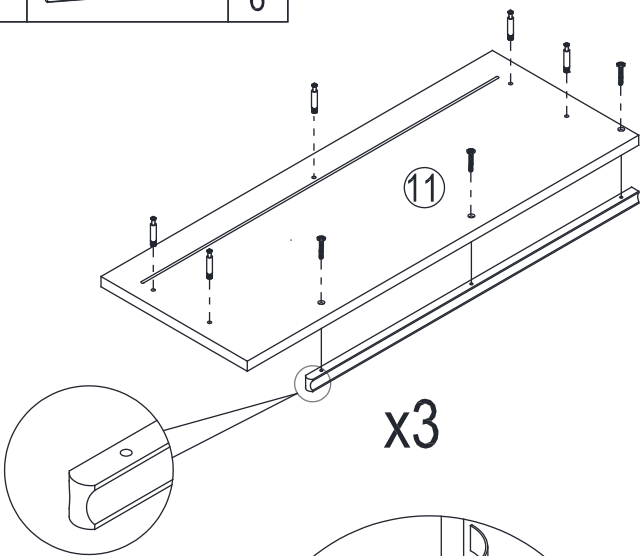


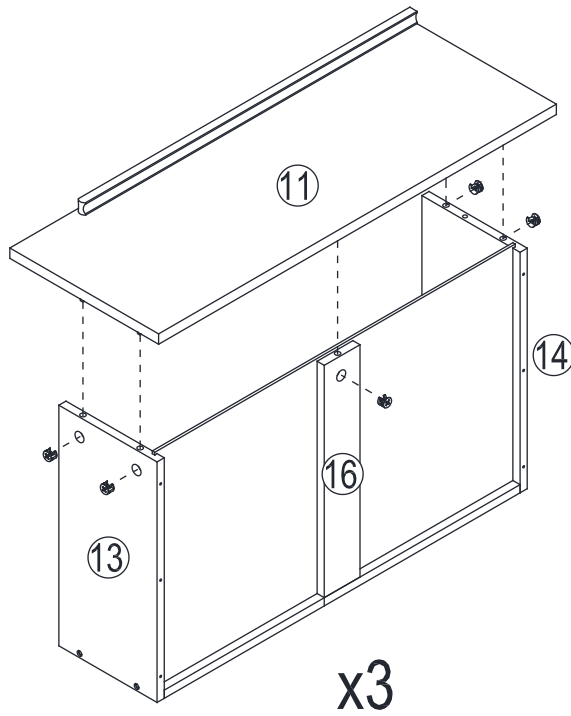
C		30
---	---	----



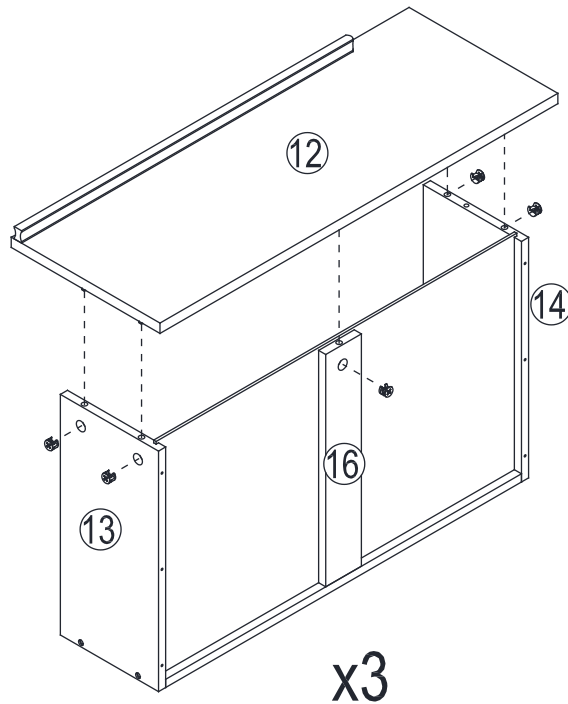
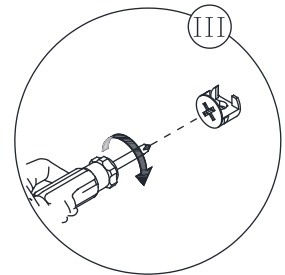
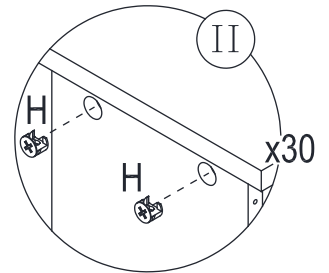
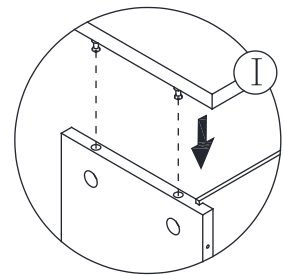


A		30
G		18
M		6

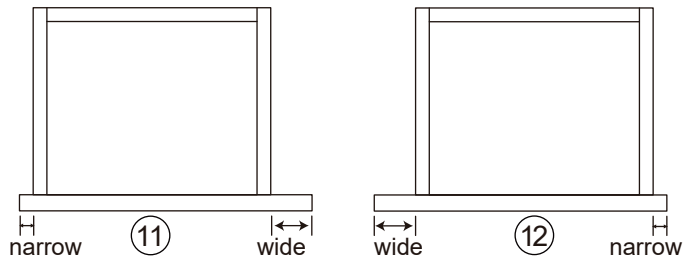
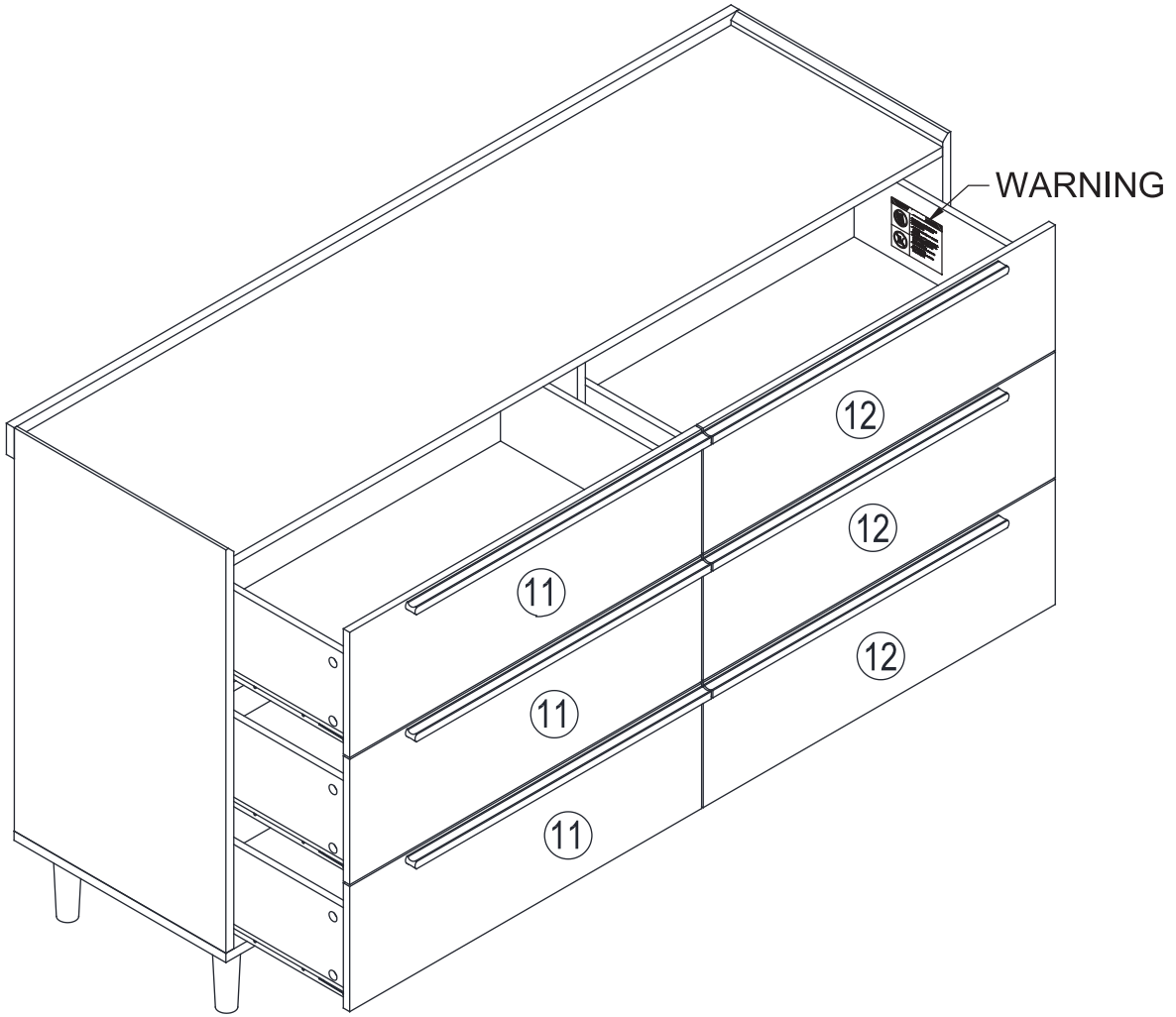




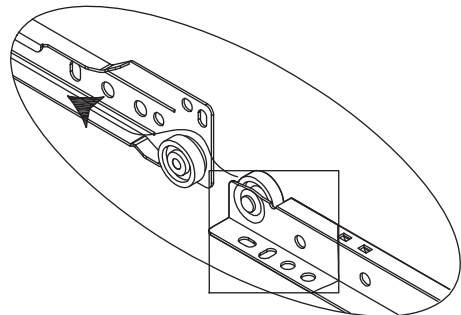
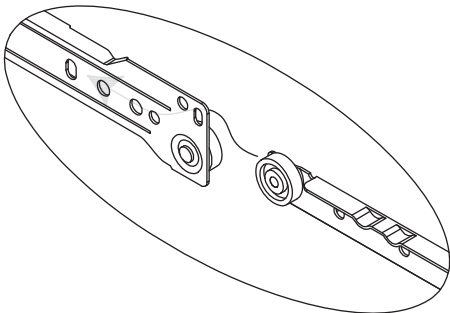
x3



x3



Make sure parts #11 are for the left drawer and #12 are for the right drawer.



! WARNING



Children have died from furniture tipover. To reduce the risk of furniture tipover:

- **ALWAYS** install Anti-tip device provided.
- **NEVER** put a TV on this product.
- **NEVER** allow children to stand, climb or hang on any drawers, doors, or shelves.
- **NEVER** open more than one drawer at a time.
- Place heaviest items in the lowest drawers.

***This is a permanent label.
Do not remove!***



SAFETY FIRST, STYLE ALWAYS

Thank you for choosing our products. To ensure safety and performance, please follow these instructions:

- **Assembly:** Carefully follow instructions and tighten all parts.
- **Intended Use:** Use furniture as intended and adhere to weight limits.
- **Handling:** Move gently and check for loose parts regularly.
- **Tipping:** Tall or unstable furniture may tip over if not secured, especially in homes with children or pets.
- **Overloading:** Exceeding weight limits can lead to collapse or damage.
- **Sharp Edges:** Handle furniture with sharp corners carefully, especially around children.

MAINTENANCE & CLEANING TIPS

- **Regular Cleaning:** Use a soft, dry cloth to wipe the surface of cabinet regularly. Avoid harsh chemical cleaners.
- **Protect from Sunlight:** Keep cabinet out of direct sunlight to prevent damage to the material and finish.

DON'T WORRY, WE'VE GOT YOUR BACK.

We don't just sell furniture — we're here for the long haul! If you run into any issues due to manufacturing defects or material problems, we offer a 1-year warranty. That means we'll replace any faulty parts for free — no hassle.