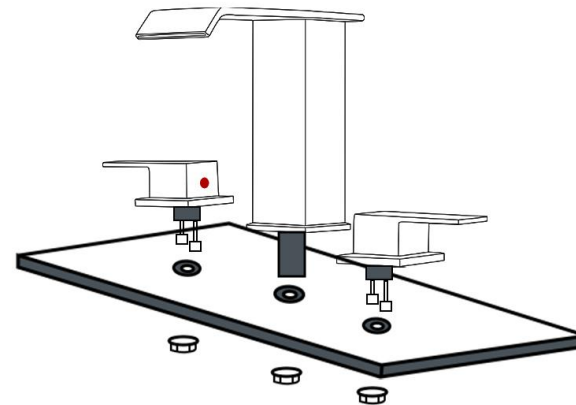
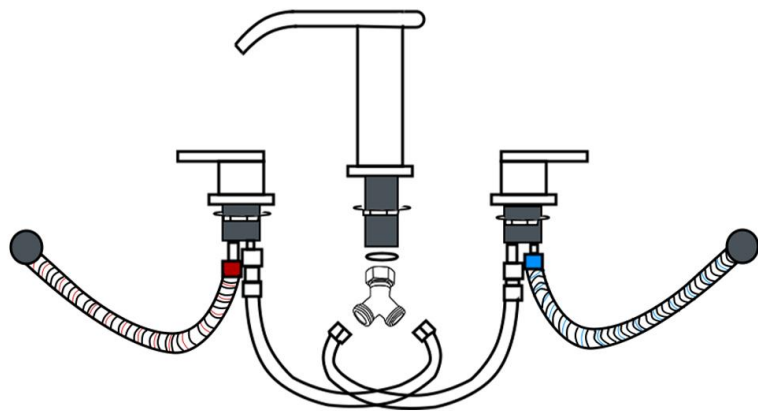


- ① Handle ③ water Inlet pipe ⑤ Y-connection ⑦ water supply hose
 ② Body ④ Y-connection washer ⑥ Short Hose ⑧ water Outlet pipe

Notice: No.3 water Inlet pipe which will marked red and blue please connect to the No.7 long hoses, No.8 water Outlet pipe please connect the No.6 short hose



1. Before Installation, ensure there are three holes in the basin, the distance is between 8-16 inch widespread.
2. Directly put the body and two handles in to the basin, and adjust the place, then put the nut to fix it, at last tight the nut with the wrench.
3. Connect the Y-Shape triple to the body, and must make sure the seal ring has put in it.



4. Separately connect two short hose to Y-Shape connection and the handle
5. Separately connect two long hose to your valve under the sink
6. Now the faucet is ready for use

Dear Friend

Thanks for purchasing product in our shop . any question can contact us including receive defective faucet , dont konw how to install, adjust the handle , or want to get longer hose , please, conatct us via purchase website . we promise to solve your problem and make you 100% satisfied

Have a nice day

Best Regards

VIP After Sales Team