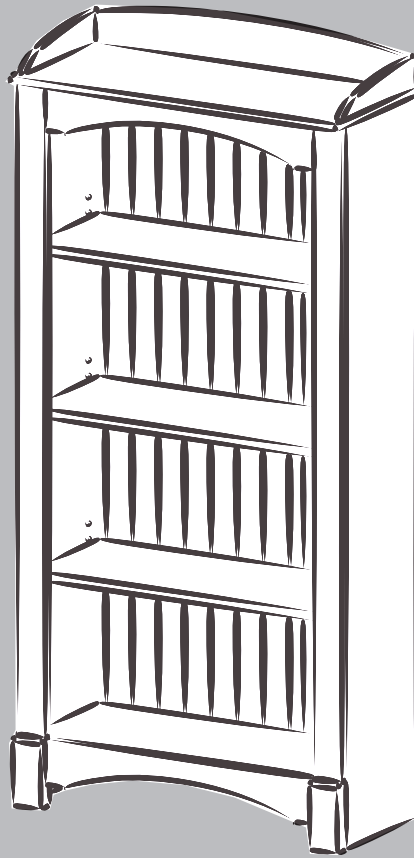


# ASSEMBLY INSTRUCTION



## 4-Shelf Bookcase

Assembly instructions and warranty information

Maximum weight capacity: 10lbs(4.5kg)for top surface, 25lbs equally distributed per bottom shelf and adjustable shelf.

## Bibliothèque à 4 Tablettes

Instructions pour l'assemblage et information sur la garantie

Capacité de poids maximale: 4.5 kg (10 libras) en el tablero, 11,4kg (25 lb) répartis uniformément sur la tablette inférieure et les tablettes réglables.

## Librero con 4 Repisas

Instrucciones para el ensamblaje e información sobre la garantía

Peso máximo soportado: 4.5 kg (10 lb) sur la surface. 11,4 kg (25 lbs) distribuidos de manera equitativa entre el estante inferior y los regulables.



**THIS PRODUCT SHOULD BE ANCHORED TO A WALL OR OTHER SUITABLE SURFACE TO AVOID SERIOUS INJURY.**

To help avoid any serious or fatal injury, an Anti-Tip kit has been included with this product to prevent toppling. We strongly recommend that this product be permanently fixed to the wall or other suitable surface. The Anti-Tip kit included with this product is only suitable for **dry wall (Plaster board)**. A different anchor fitting will need to be purchased separately at your local hardware store if the product is to be anchored to a brick/concrete wall.

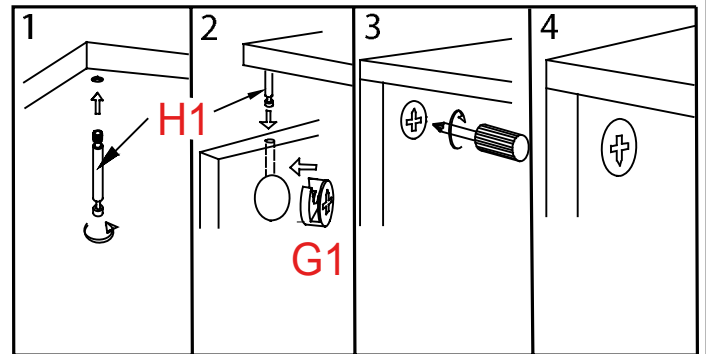
Please seek professional advice if you are in doubt what fixing device to use.

### Installation of Cams and Pins:

Screw the Pin into hole. To set Cams correctly, ensure the arrow on the cam head points to the hole of the Pin it is locking. Lock Cam by turning cam head one third clockwise with screwdriver. Do not overtighten. Please don't use an Electric Screwdriver to assemble the unit.

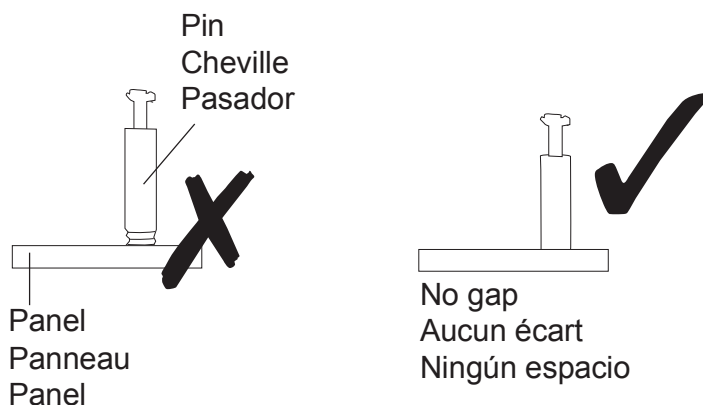
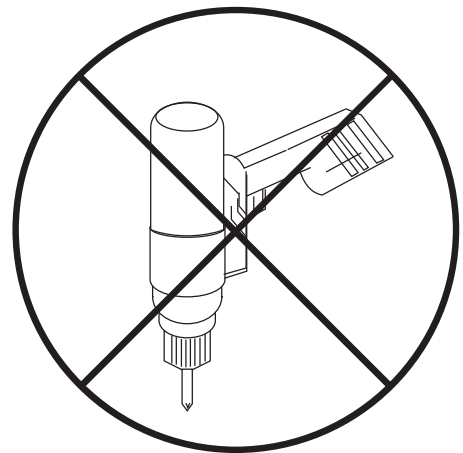
### Installation des roulettes à blocage et des chevilles :

Vissez la cheville à l'intérieur du trou. Assurez-vous que la flèche sur le dessus de la roulette pointe vers le trou de la cheville à bloquer. Verrouillez la roulette à blocage en tournant le dessus de la roulette d'un tiers de tour en sens horaire à l'aide d'un tournevis. Ne serrez pas trop. Veuillez ne pas utiliser un tournevis électrique pour assembler ce meuble.



### Instalación de levas y pernos:

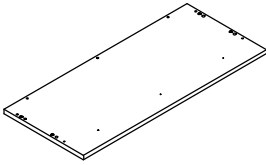
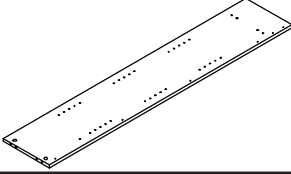
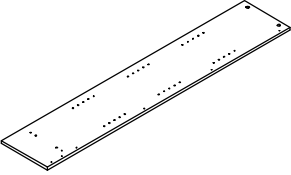
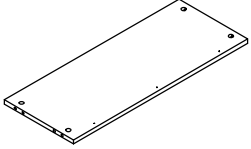
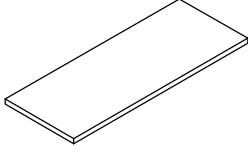
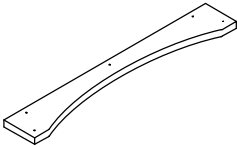
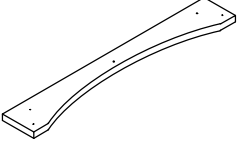
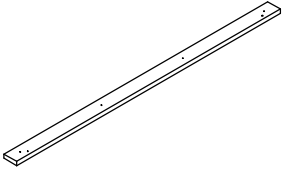
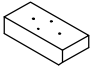
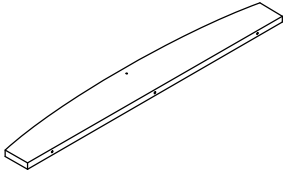
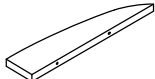
Atornille el pasador en el agujero, asegúrese de que la flecha en la cabeza de la leva apunta hacia el agujero del pasador que esta asegurando. Asegure la leva girando la cabeza un tercio en el sentido de las agujas del reloj. No la apriete en exceso. No utilice un destornillador eléctrico para ensamblar la unidad.

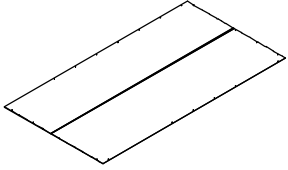


## PARTS LIST

## LISTE DES PIÈCES

## LISTA DE PIEZAS


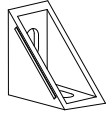
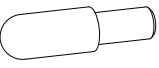
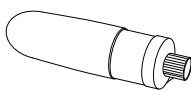
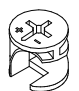
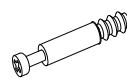

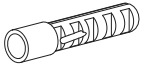
Name/Nom/Nombre	Part/Pièce/Pieza	Qty. Qté Cantidad
Top Shelf A Tablette supérieure Estante superior		1
Left Side Panel B Panneau gauche Panel lateral izquierdo		1
Right Side Panel C Panneau droit Panel lateral derecho		1
Bottom Shelf D Tablette inférieure Estante inferior		1
Adjustable E Réglable Estante regulable		3
Top Rail F Rail supérieur Embellecedor superior		1
Bottom G Panneau inférieur Embellecedor inferior		1
Side Rail H Rail latéral Embellecedor lateral		2
Leg I Patte Pata		2
Valance J Valence Larguero		1
Side Valance K Côté latéral de la valence Larguero lateral		2

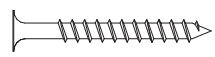
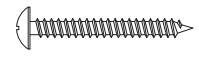
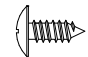
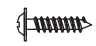
Name/Nom/Nombre	Part/Pièce/Pieza	Qty. Qté Cantidad
Back Panel L Panneau arrière Panel trasero		1

## PARTS LIST


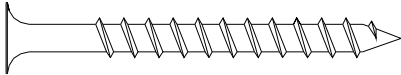

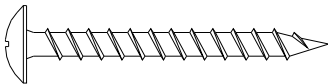

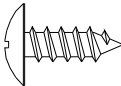

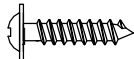
## LISTE DES PIÈCES

## LISTA DE PIEZAS

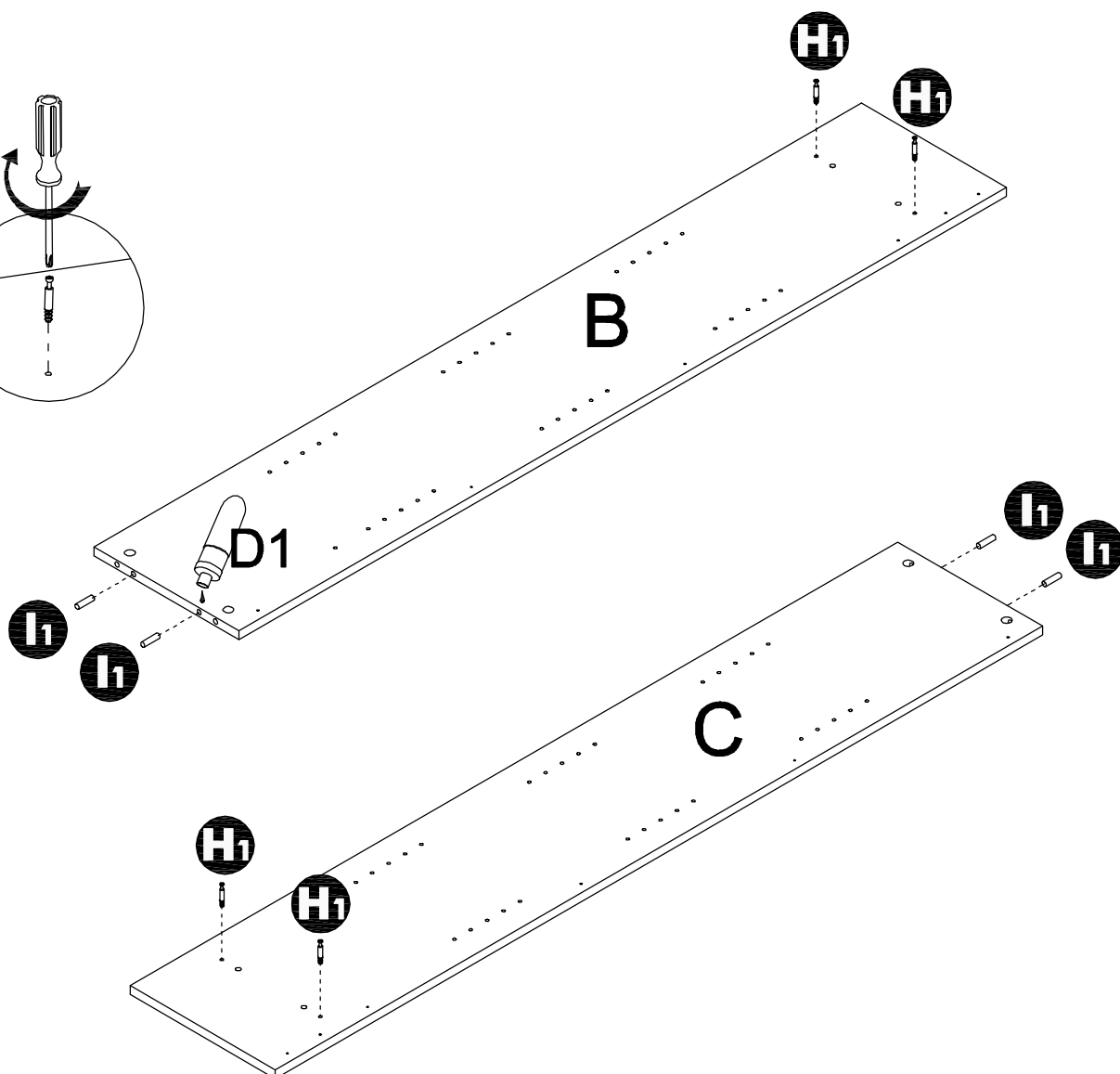
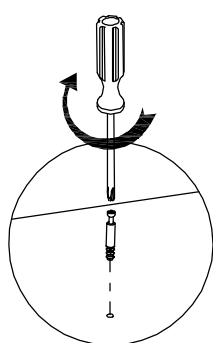
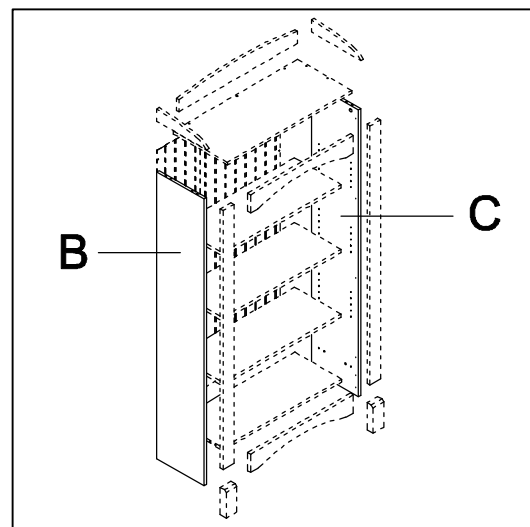
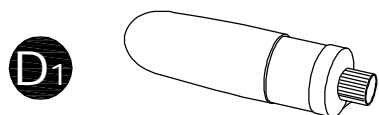
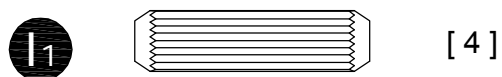
Name/Nom/Nombre	Part/Pièce/Pieza	Qty. Qté Cantidad	Spare Épargner Sobrante
Connecting Pan A1 Plaque de connexion Herraje		5	
Plastic Corner Bracket B1 Fixation d'angle en plastique Ménsula plástica en L		18	
Shelf Support C1 Taquet Soporte de estante		12	
Glue D1 Colle Pegamento		1	
Cam G1 Roulette à blocage Leva		8	1
Pin H1 Cheville Perno		8	1
Dowel I1 Goujon Taquete		8	1
Wall Anchor J1 Cheville Amarre a la pared		1	1

Name/Nom/Nombre	Part/Pièce/Pieza	Qty. Qté Cantidad	Spare Épargner Sobrante
2" Screw S1 Vis de 51mm Tornillo de 51mm		7	1
1 1/2" Screw S2 Vis de 38mm Tornillo de 38mm		1	1
1/2" Screw S3 Vis de 12mm Tornillo de 12mm		45	1
5/9" Screw S4 Vis de 14mm Tornillo de 14mm		30	1

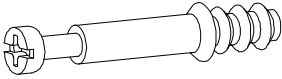
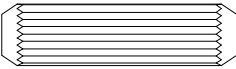
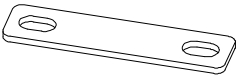
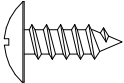
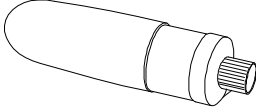
COMPARISON SIZE CHART  
TABLEAU DE COMPARAISON DE TAILLES  
TABLA DE COMPARACIÓN DE TAMAÑOS

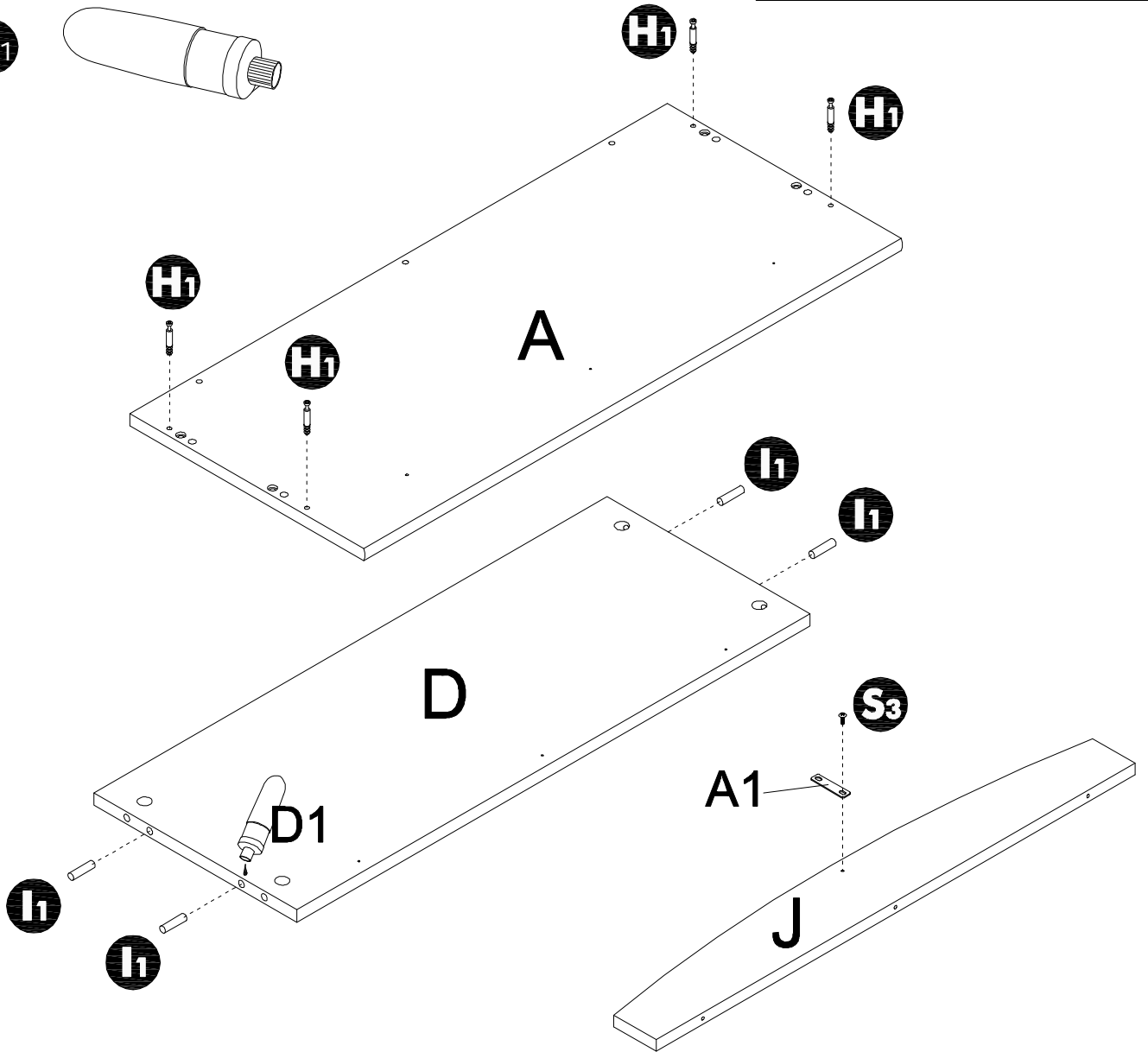
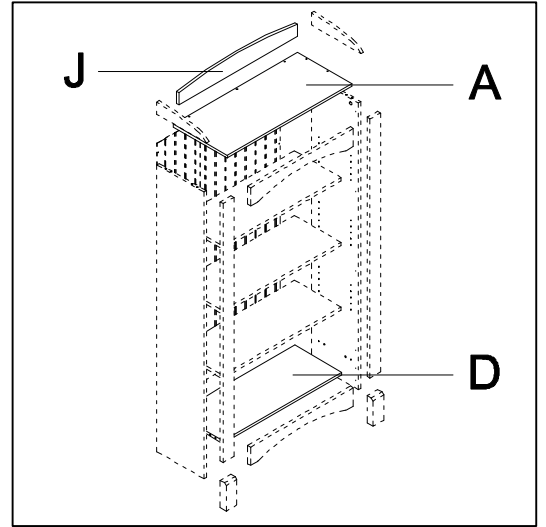
	2" Screw Vis de 51mm Tornillo de 51mm	
	1-1/2" Screw Vis de 38mm Tornillo de 38mm	
	1/2" Screw Vis de 12mm Tornillo de 12mm	
	5/9" Screw Vis de 14mm Tornillo de 14mm	

# STEP 1

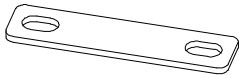


# STEP 2

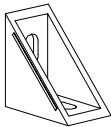
- H<sub>1</sub>**  [4]
- I<sub>1</sub>**  [4]
- A<sub>1</sub>**  [1]
- S<sub>3</sub>**  [1]
- D<sub>1</sub>** 

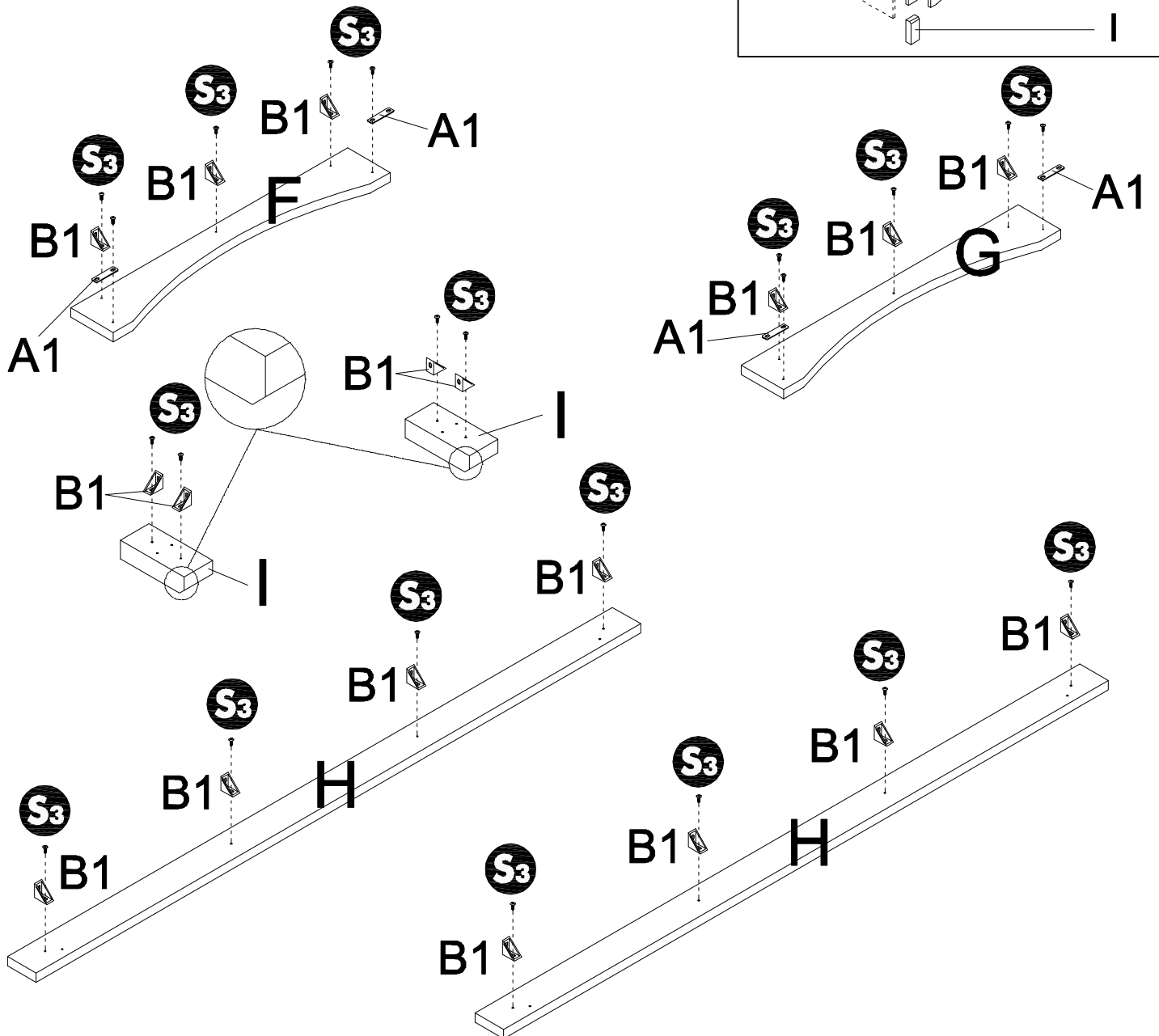
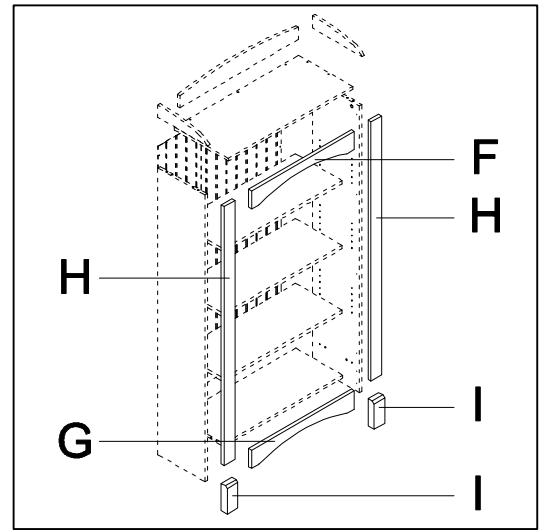


# STEP 3

**A1**  [ 4 ]

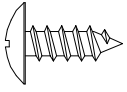
**S3**  [ 22 ]

**B1**  [ 18 ]

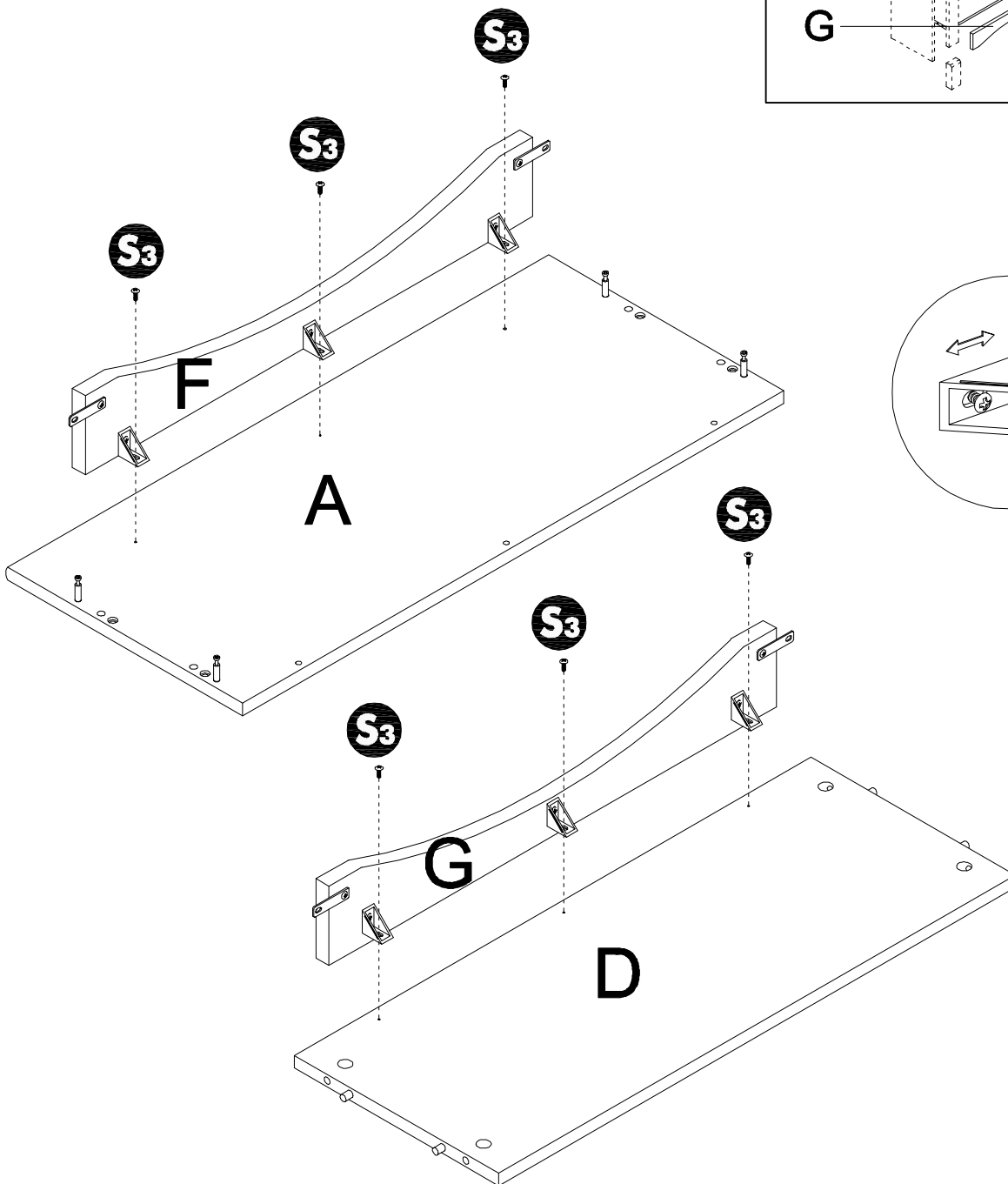
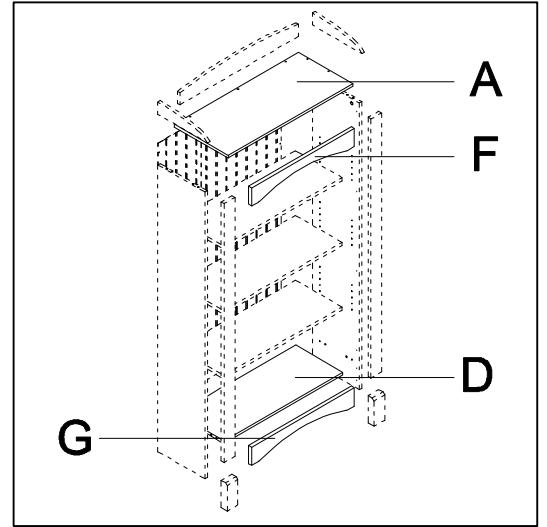


# STEP 4

S<sub>3</sub>

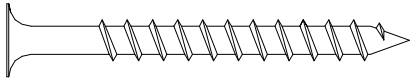


[ 6 ]

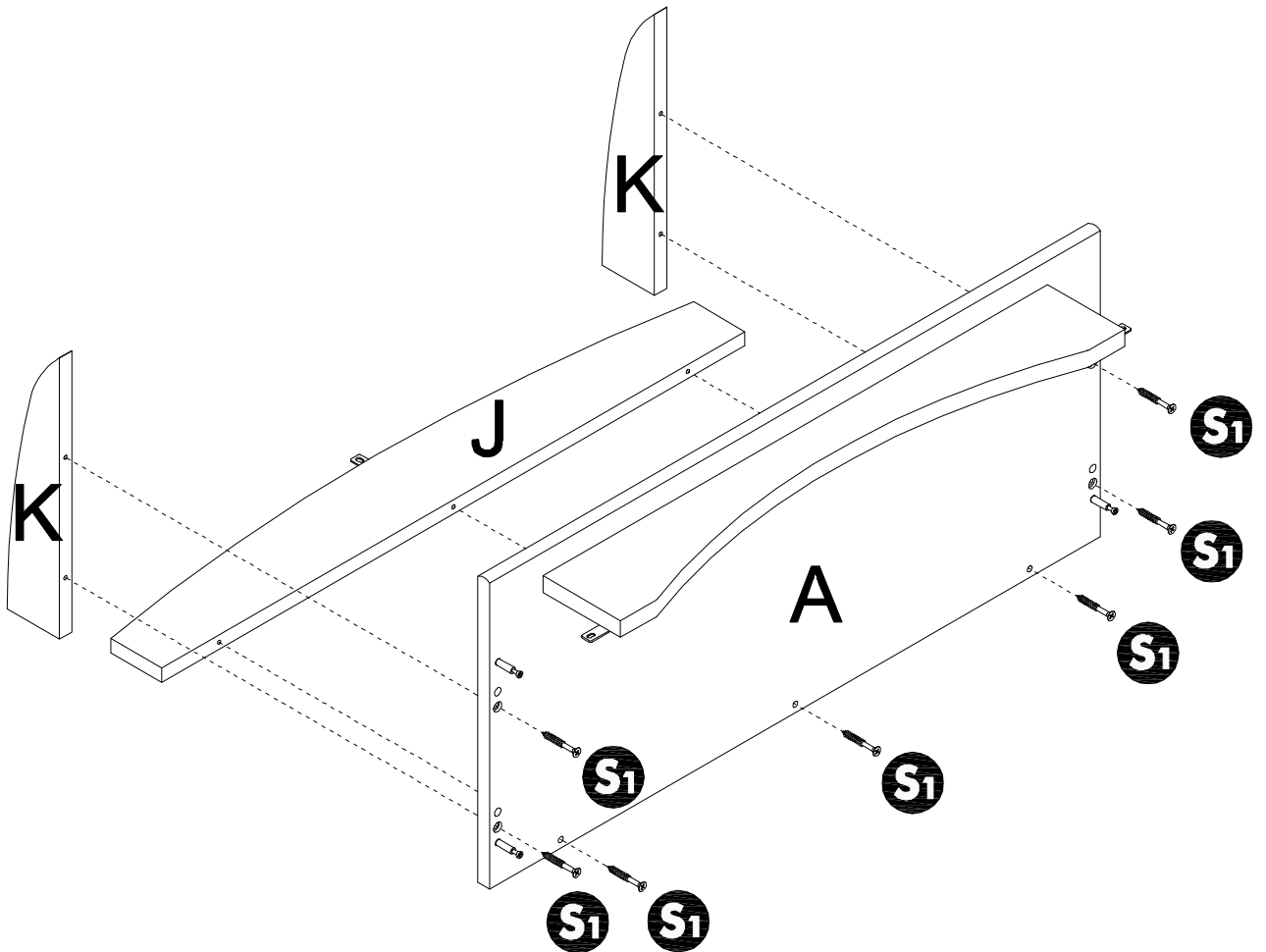
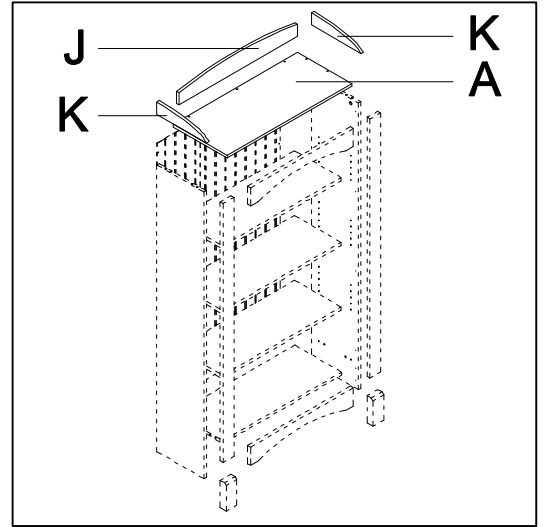


# STEP 5

S1

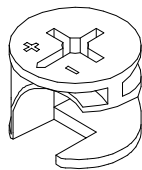


[7]

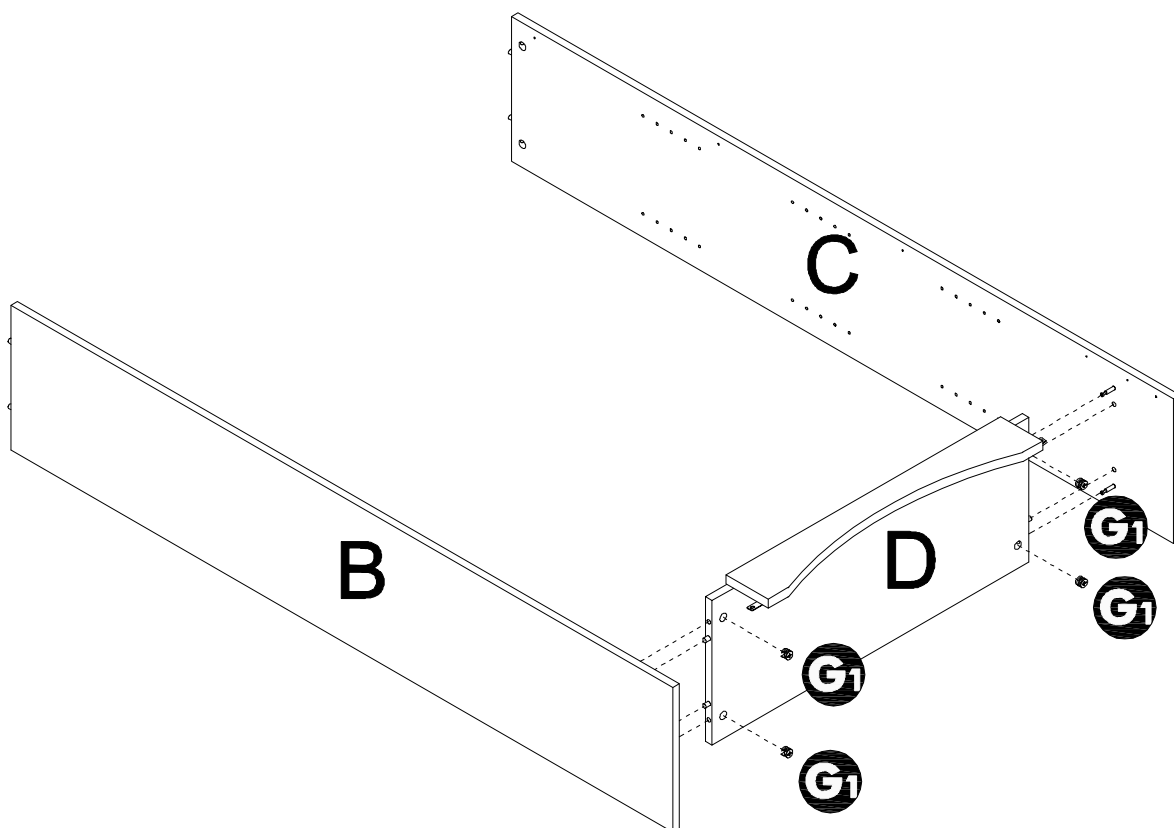
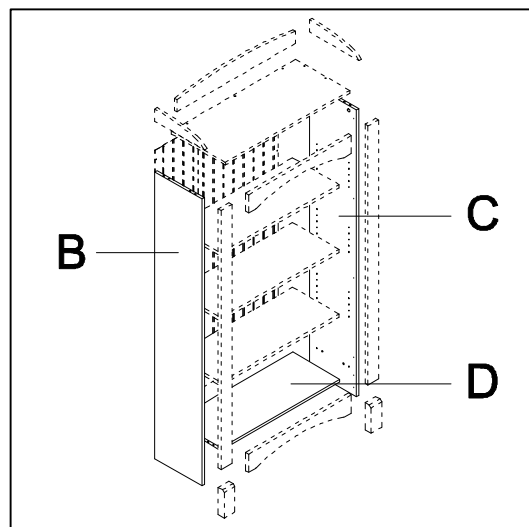


# STEP 6

G1

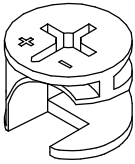


[4]

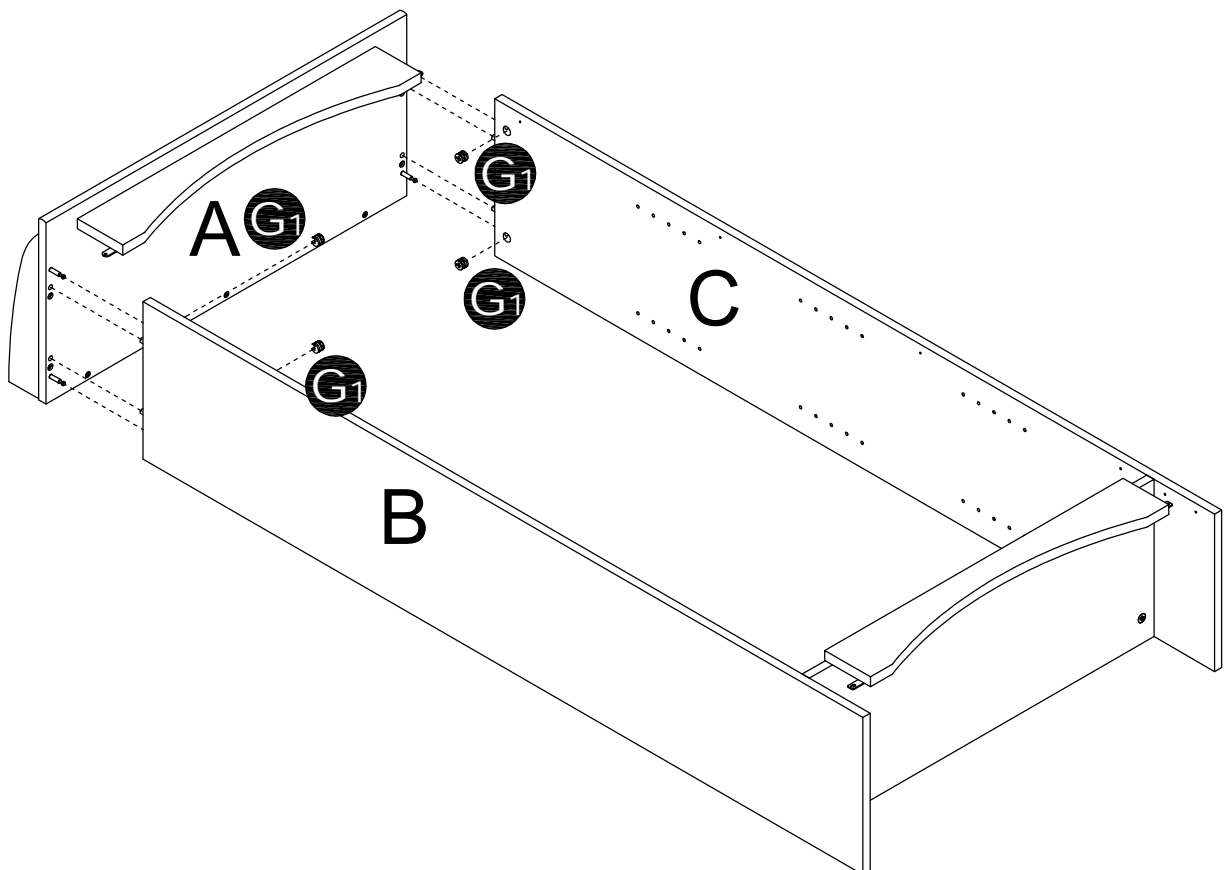
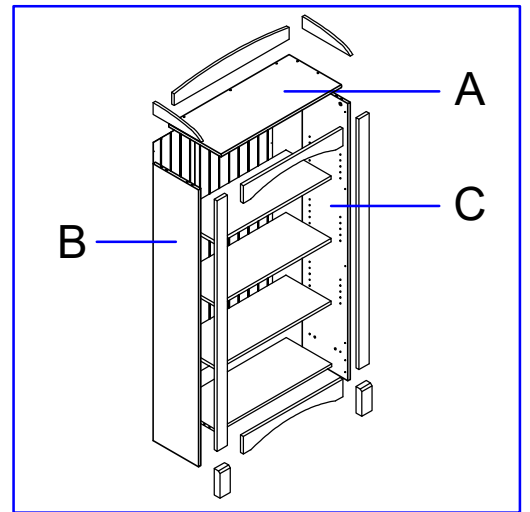


# STEP 7

G<sub>1</sub>

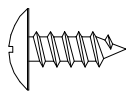


[ 4 ]

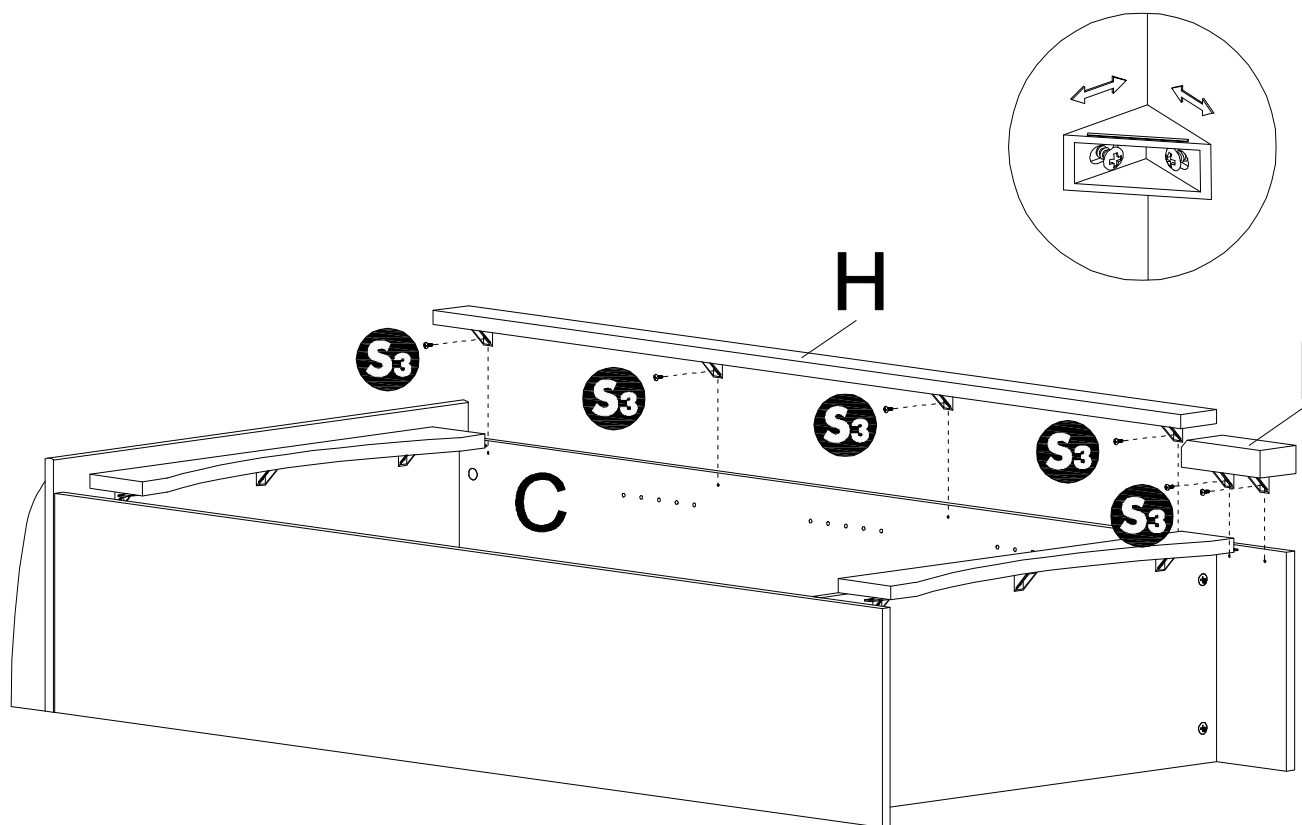
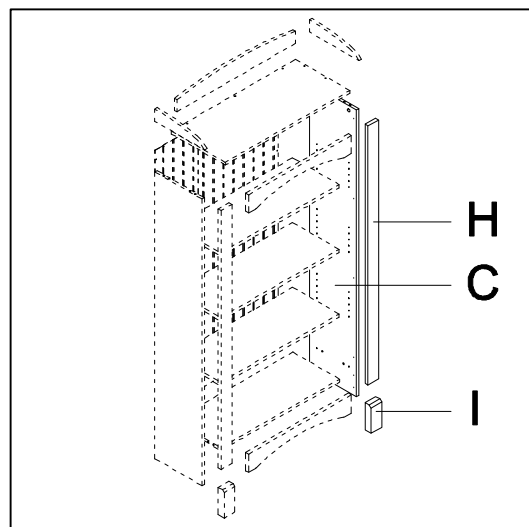


# STEP 8

S<sub>3</sub>

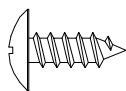


[6]

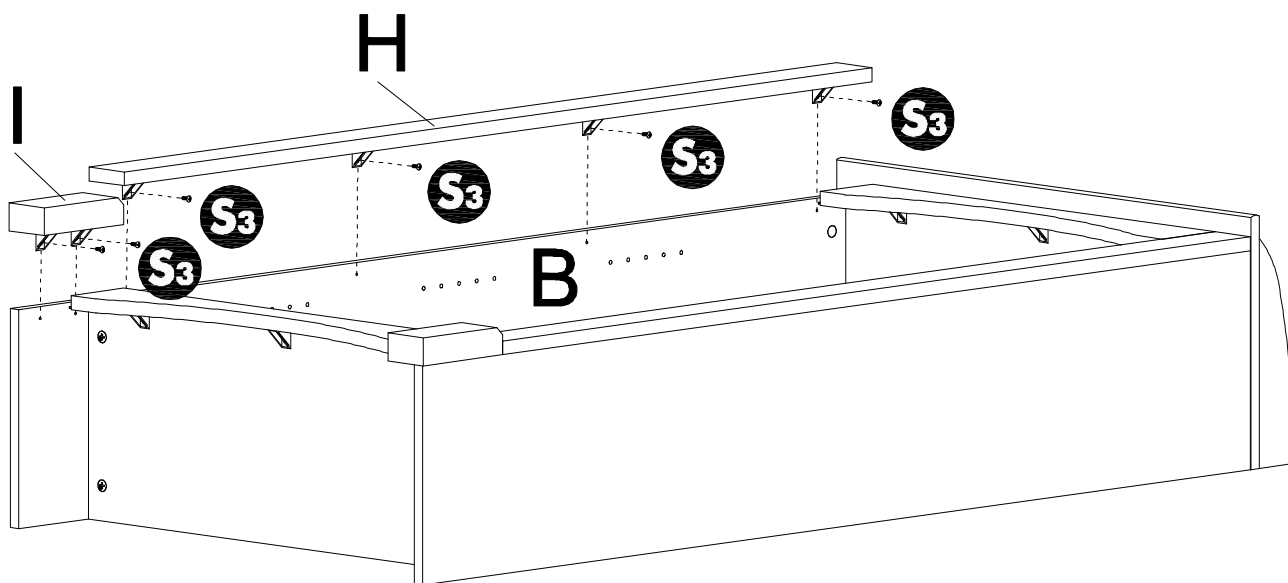
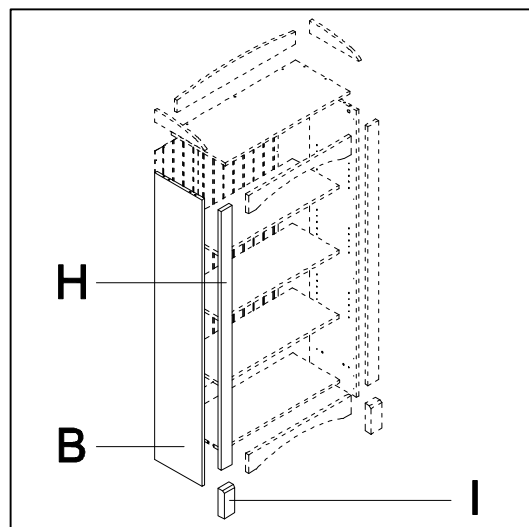


# STEP 9

S<sub>3</sub>

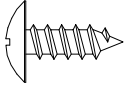


[ 6 ]

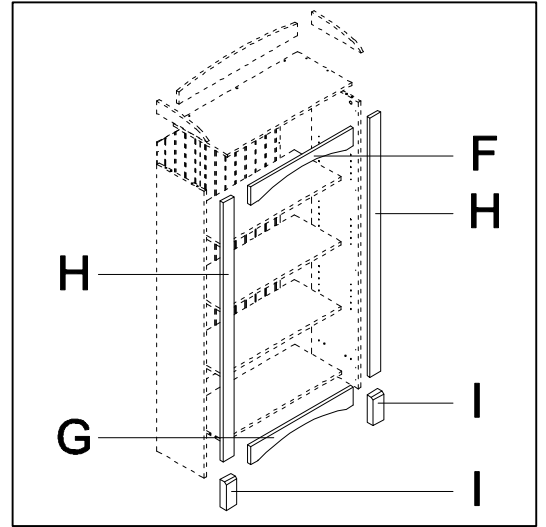


# STEP 10

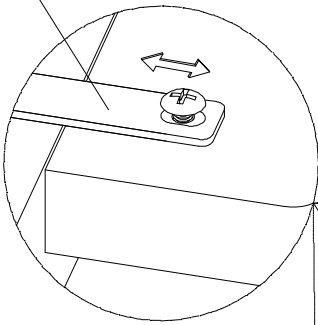
S<sub>3</sub>



[4]



A1



A1

H

H

S<sub>3</sub>

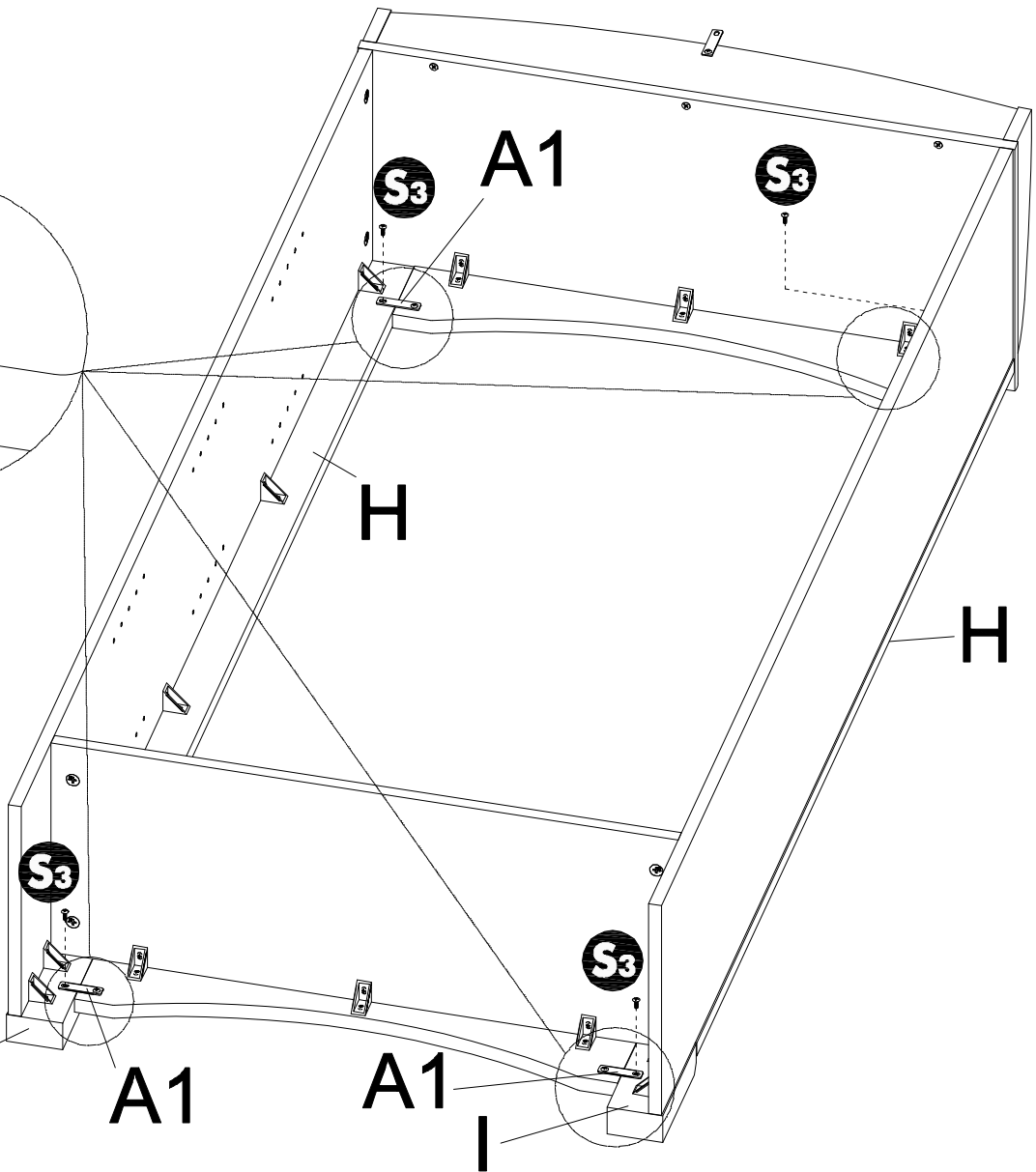
S<sub>3</sub>

I

A1

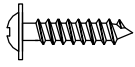
A1

I

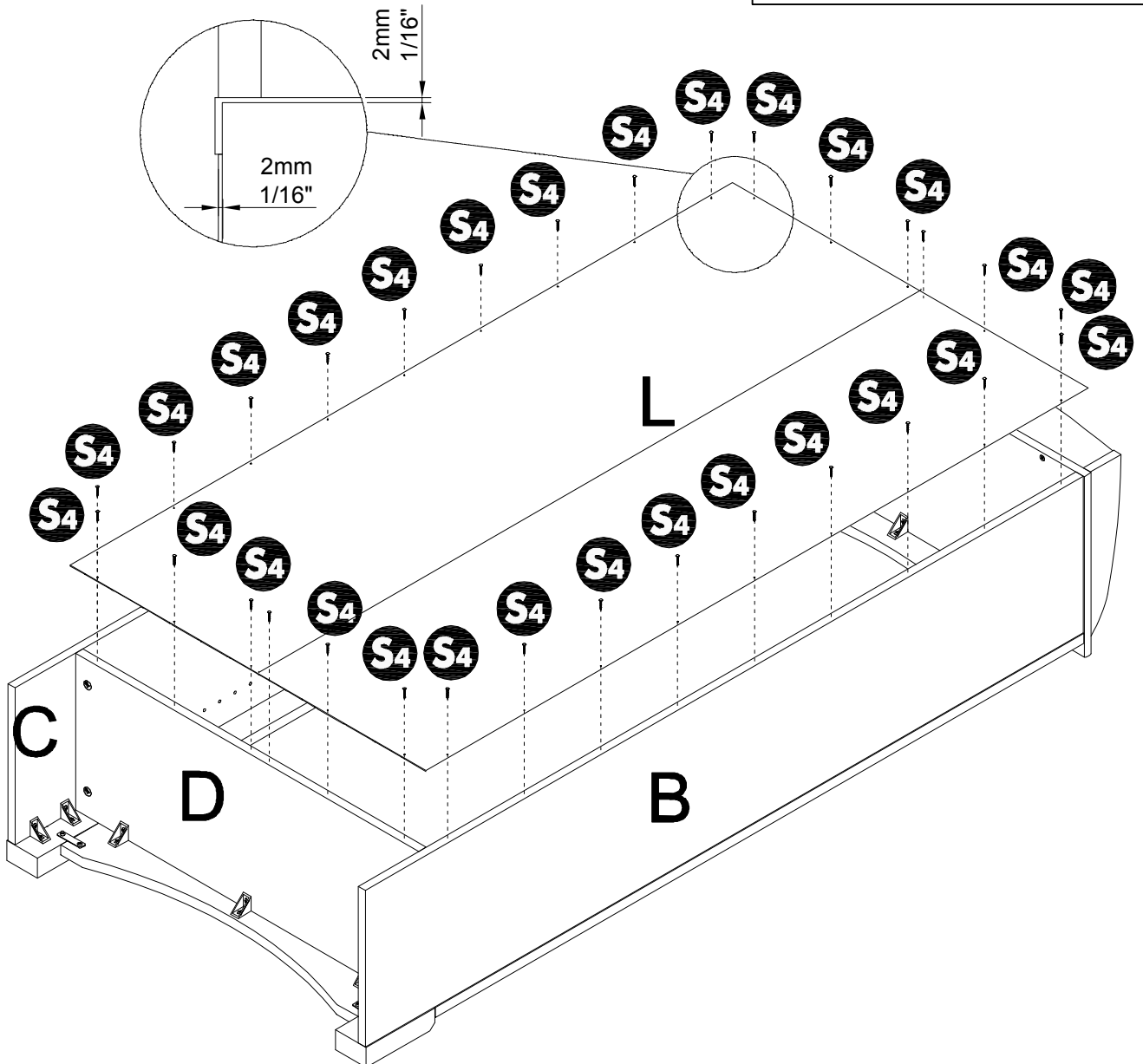
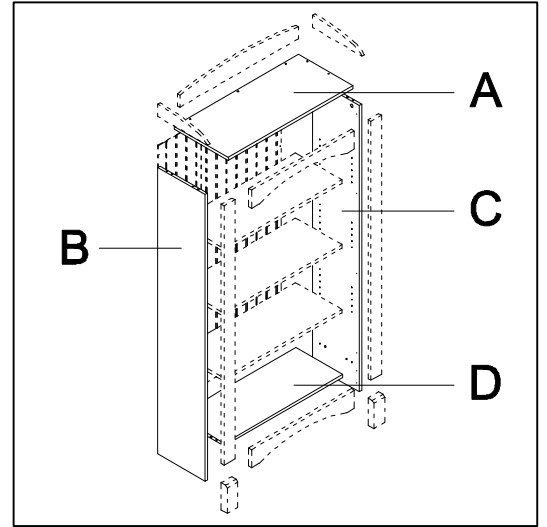
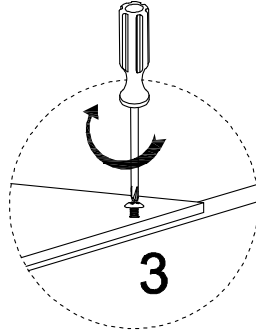
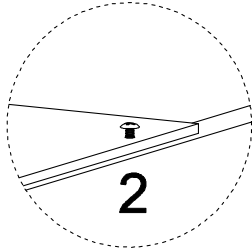
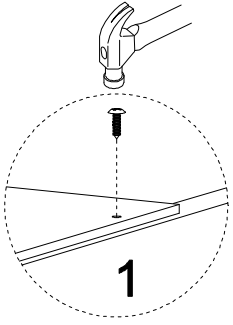


# STEP 11

S4

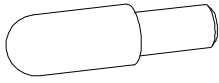


[H€]

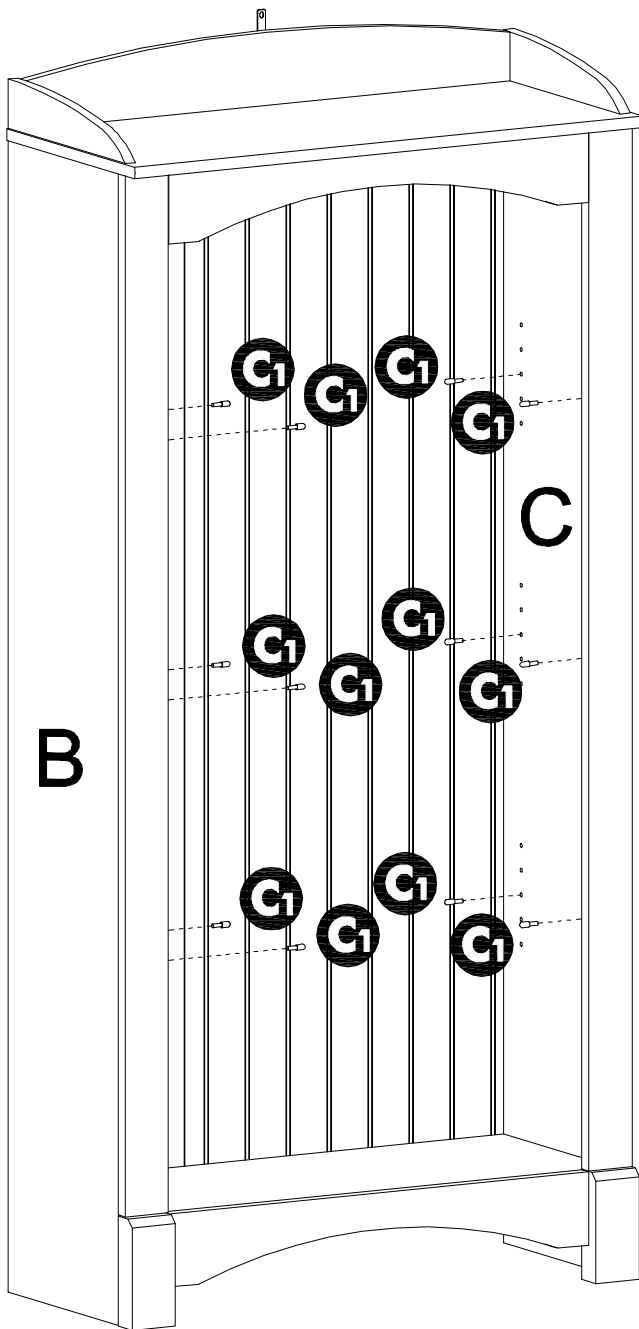
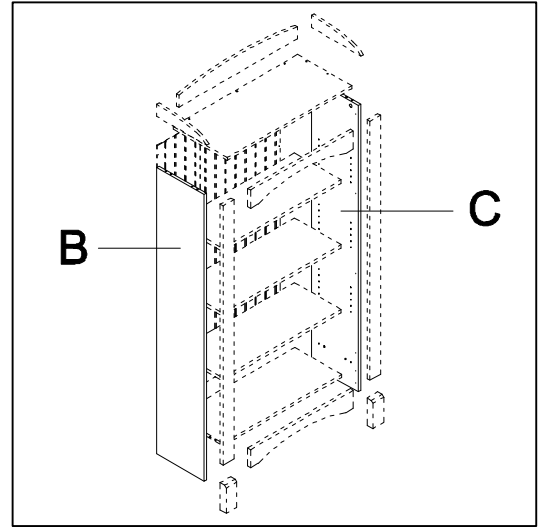


# STEP 12

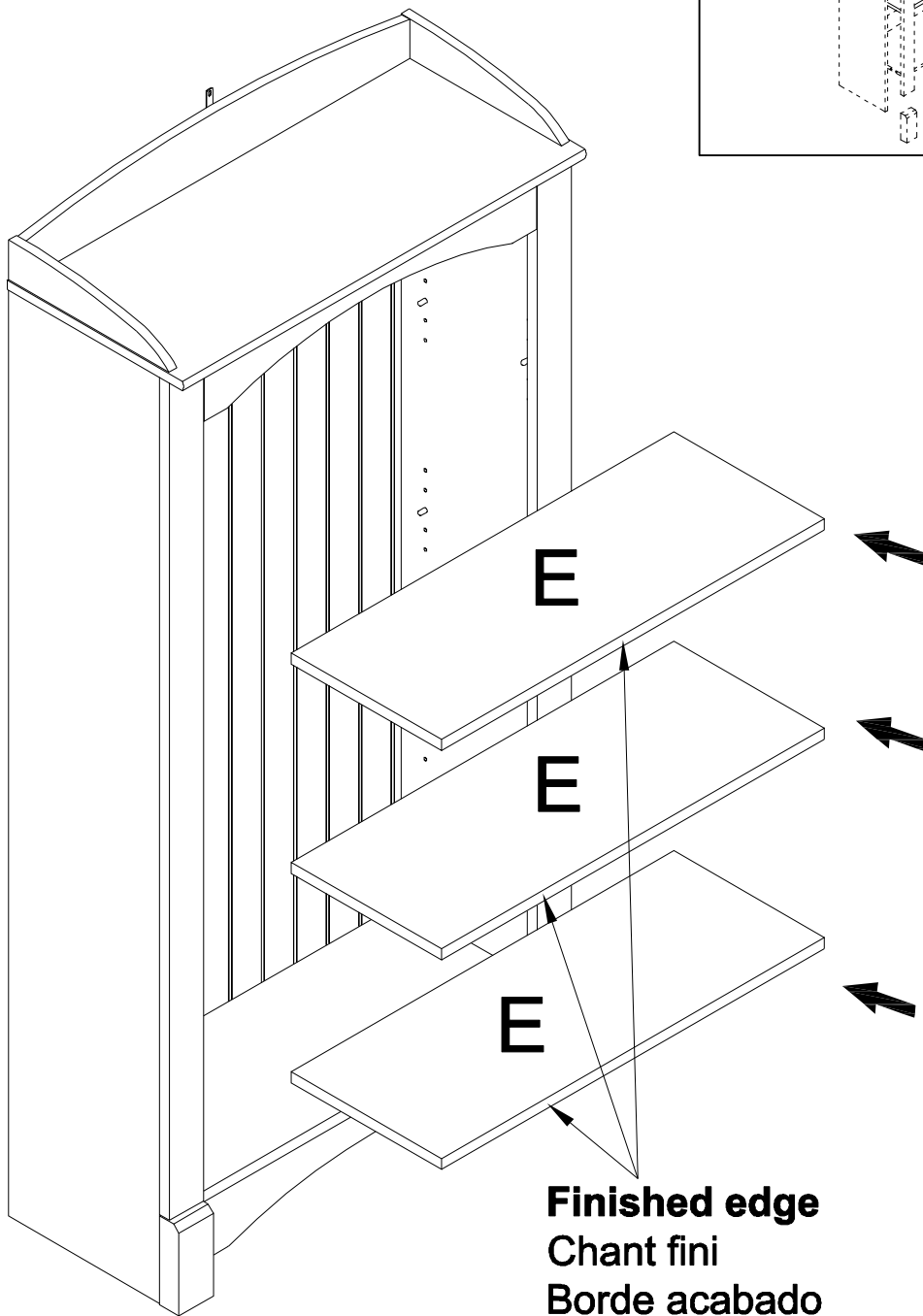
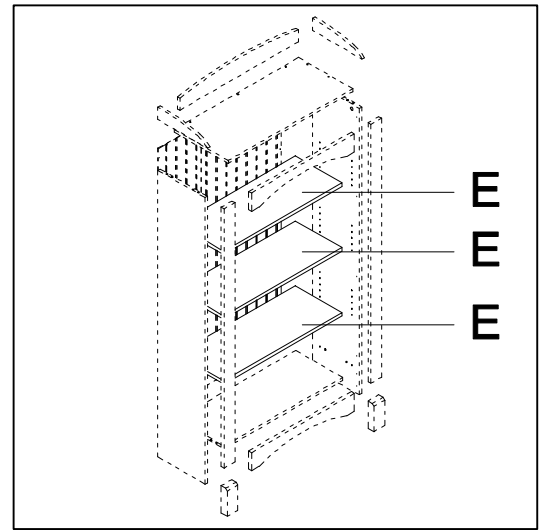
**C<sub>1</sub>**



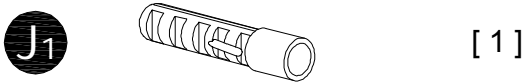
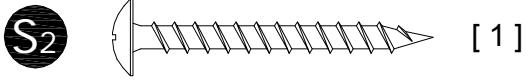
[ 12 ]



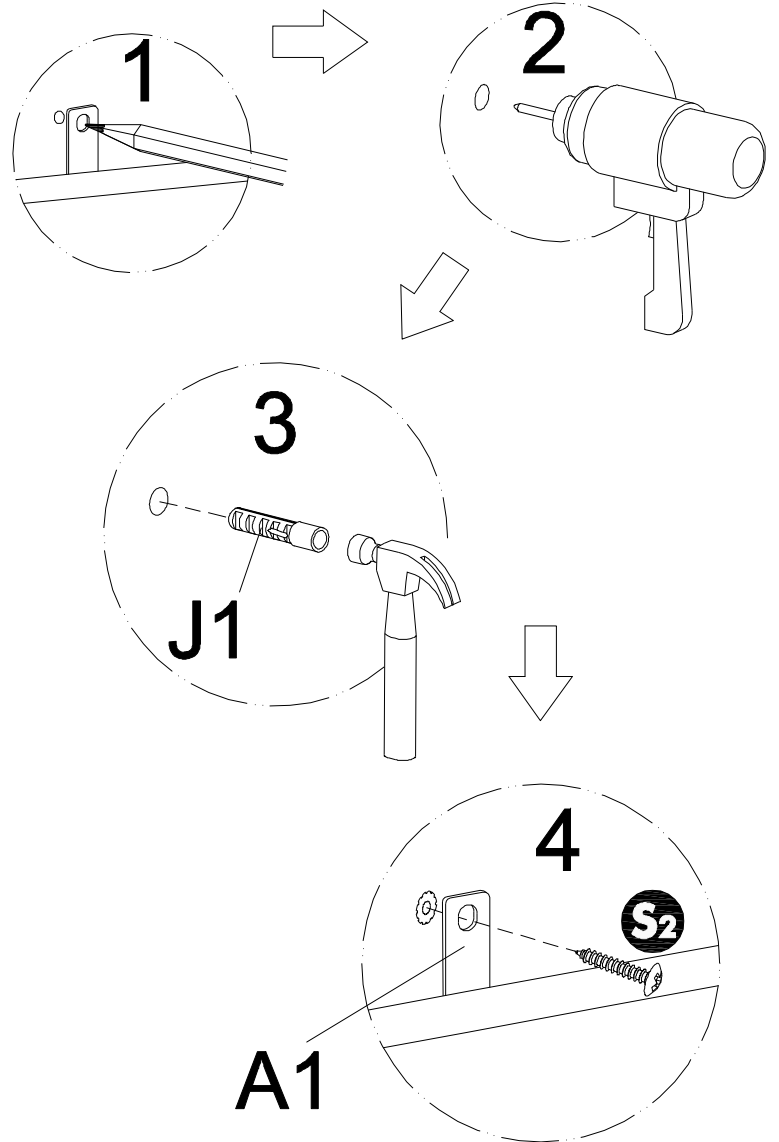
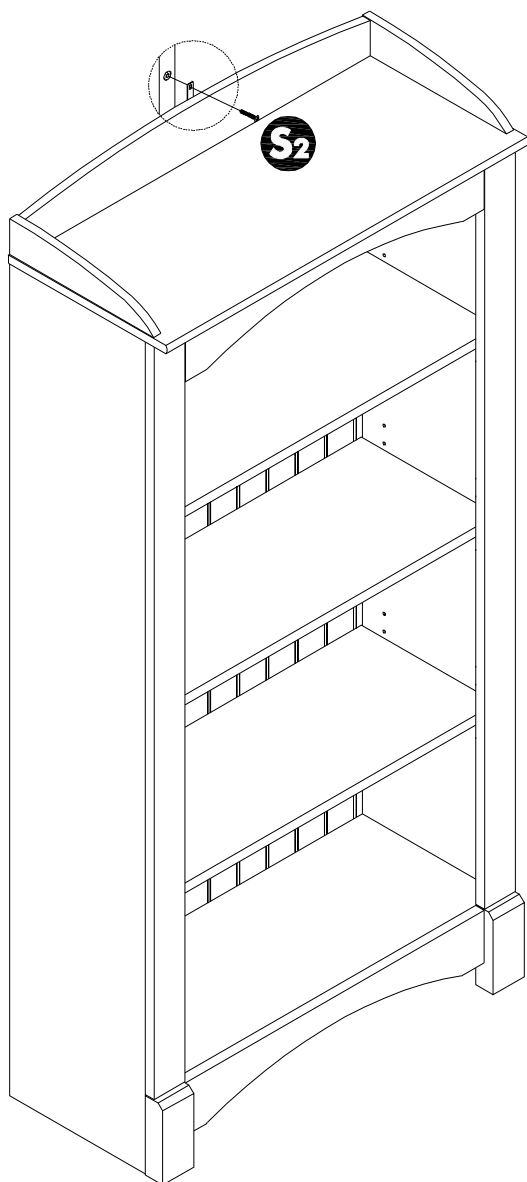
# STEP 13



# STEP 14



1. Position bookcase in final resting spot. Install provided Connecting Plate onto hutch first. Do not tighten. Mark corresponding pilot hole on wall and drill using 10mm bit.
2. Use supplied wall anchor and push/hammer into pilot hole until flush with wall. Refer to diagram 3
3. Reposition bookcase and use S2 screws to tighten Connecting Plate onto wall. Refer to diagram 4. The Connecting Plate takes into account floor skirting so adjust accordingly and tighten Connecting Plate onto bookcase.



## What is Proposition 65?

Proposition 65 is a California law that requires warning labels on products that may contain one of more than 800-plus chemicals or ingredients that the California Office of Environmental Health Hazard Assessment (OEHHA) has deemed to cause cancer or other reproductive toxicity. Chemicals and elements on this list include wood dust, brass, and other everyday substances, which can be found in very common household items, such as: lamps, tableware, jewelry, crystal glasses, electric cords, beauty products, automobiles, and furniture.

## Why Did I Find a Proposition 65 Warning on My Home Goods Product?

We include Proposition 65 warnings on all of our products because there is always a chance that one of the 800-plus common chemicals and ingredients listed under this law could potentially be on our furniture or packing materials. We risk large fines under this law, if we don't include this warning.

## Should I worry?

We realize you may be worried finding this warning on our products, but we want to reassure you that the hazardous exposure limits for any of these chemicals have never been found on furniture products that we've shipped to our customers. Additionally, this warning label is very common and can be found on almost every piece of furniture sold in the state of California.

## Just How Common Are Proposition 65 Warnings?

Proposition 65 warnings have become so common in California that it is hard to take a trip to local bank, grocery store, or restaurant without finding at least one warning. In fact, even the Disney Land Resort has a Proposition 65 warning:

