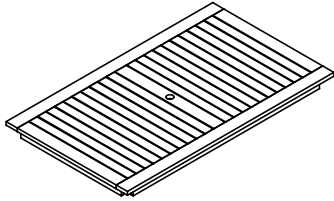


ASSEMBLY INSTRUCTIONS

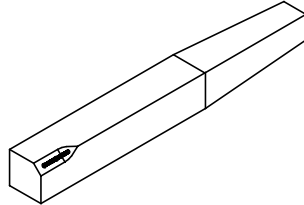
WOODEN DINING TABLE

A Table top



1pc

B Leg



4pcs

C Washer



8pcs + 1pc reserve

D Spring washer



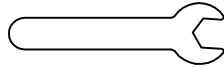
8pcs + 1pc reserve

E Nut

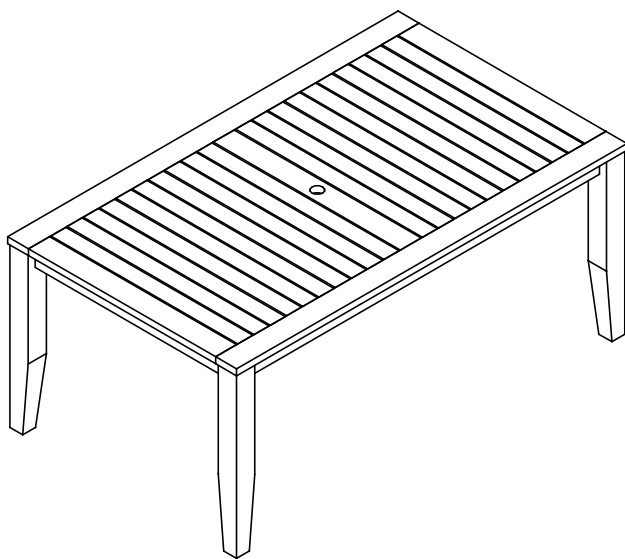


8pcs + 1pc reserve

F Wrench

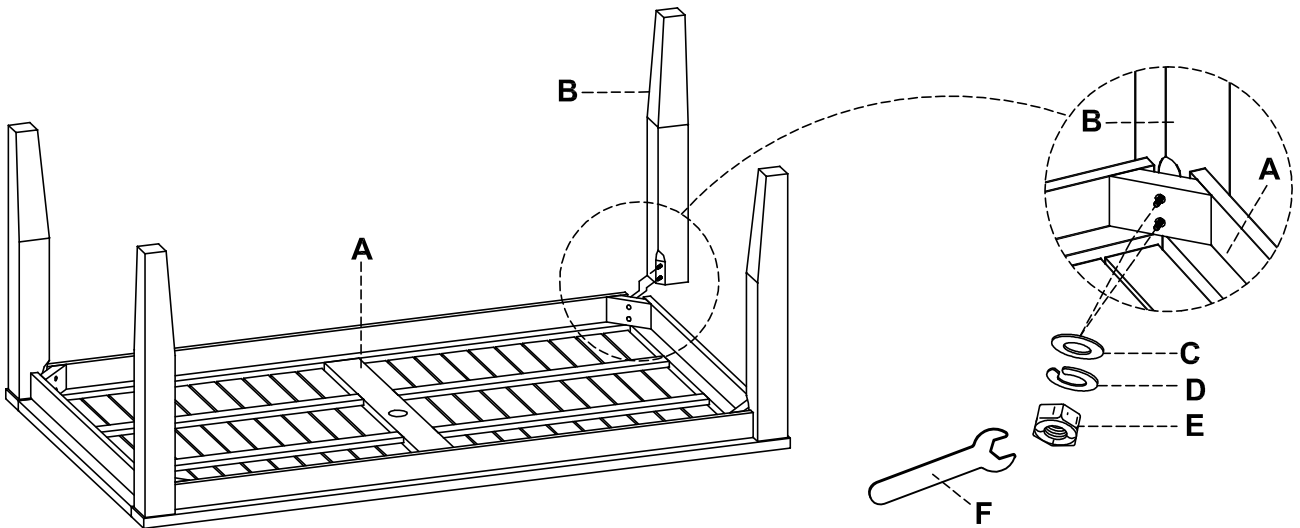


1pc

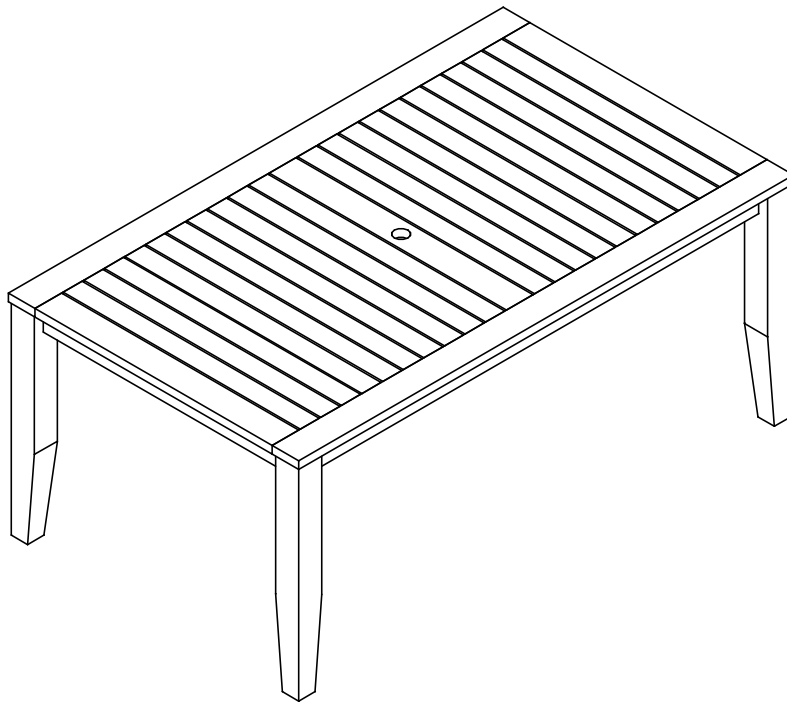


This page lists all the contents included in the box. Please take time to identify the hardware as well as the individual components to this product. As you unpack and prepare for assembly, place the contents on a carpeted or padded area to protect them from damage.

-
- 1** Attach leg (B) into corner of table top (A). Insert washer (C), spring washer (D), and nut (E) to secure leg (B). Tighten nuts using wrench (F).



-
- 2** Upright the pre assembled, The table is now ready for use.



Cleaning & Care

Treat surface with care. Surface is resistant to scratches but is not scratch resistant. Clean surfaces with a dry or damp soft cloth. Do not use abrasive cleaners. Hardware may loosen over time. Periodically check that all connections are tight.