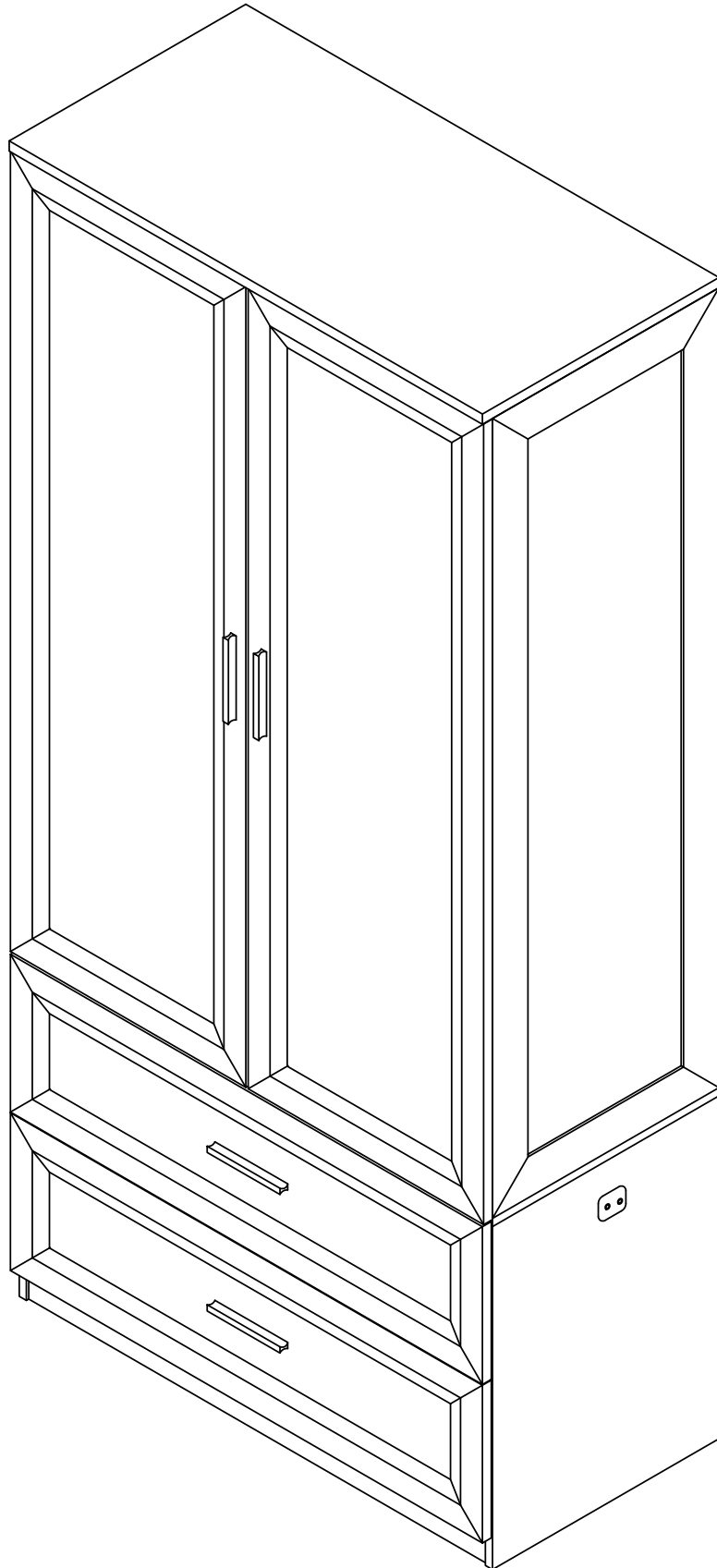
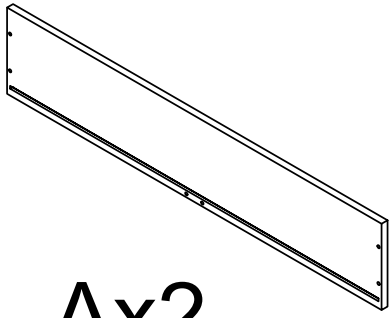
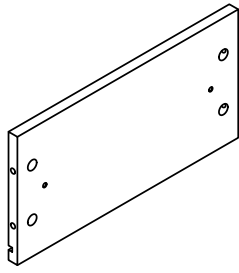


# Product Installation Instructions

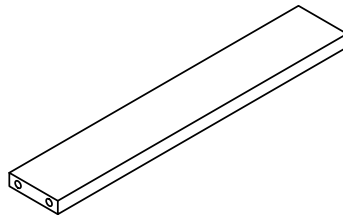




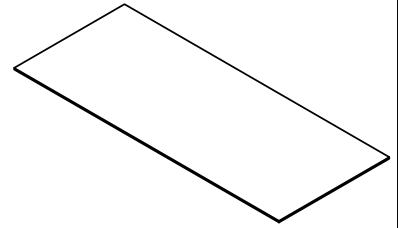
**Ax2**



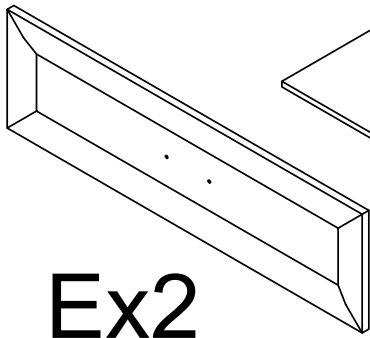
**Bx4**



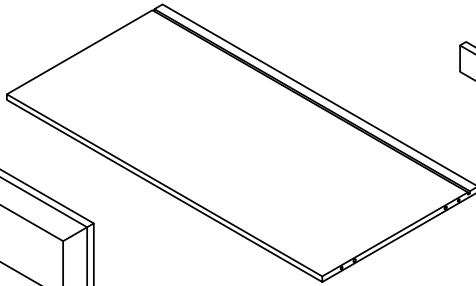
**Cx2**



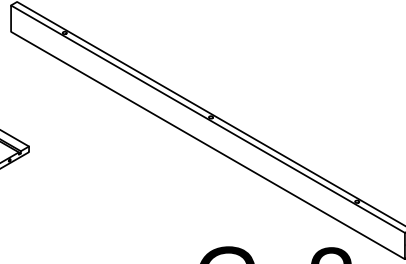
**Dx2**



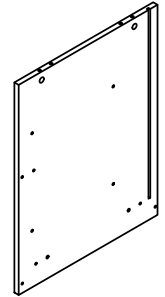
**Ex2**



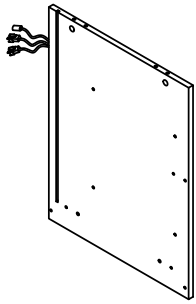
**Fx1**



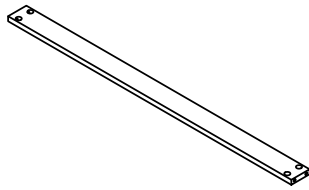
**Gx2**



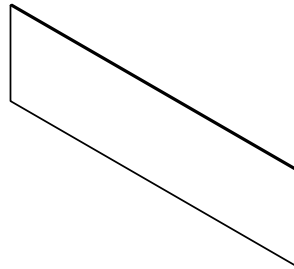
**Hx1**



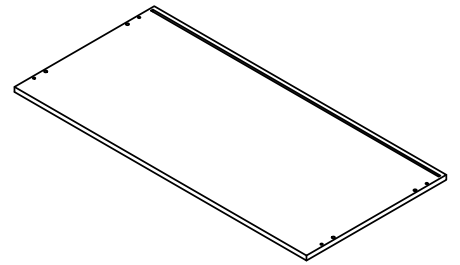
**Ix1**



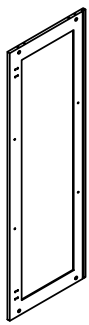
**Jx1**



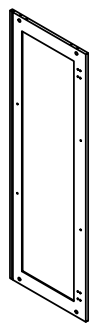
**Kx2**



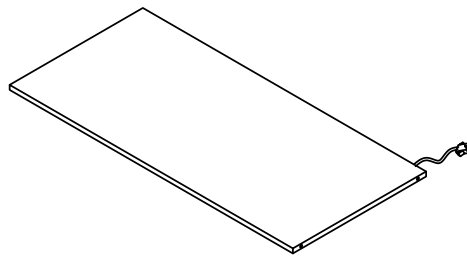
**Lx1**



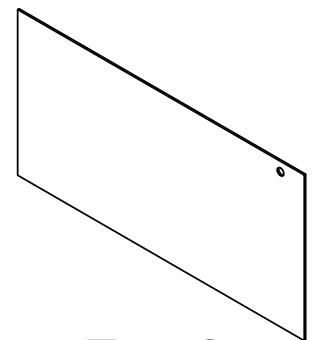
**Mx1**



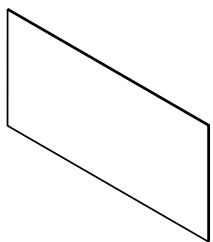
**Nx1**



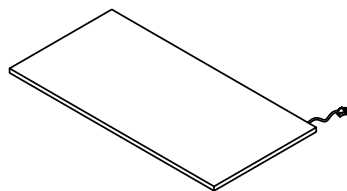
**Ox2**



**Px2**



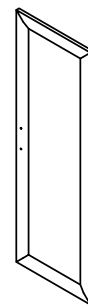
**Qx1**



**Rx1**



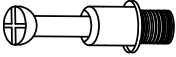

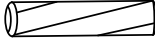
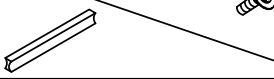


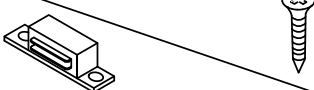
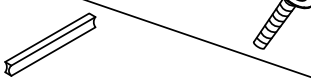
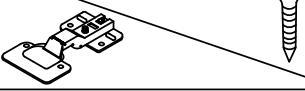
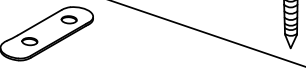


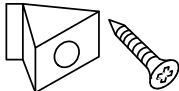

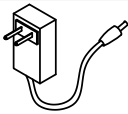
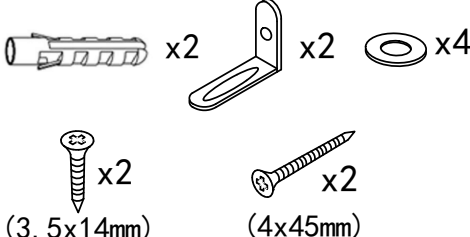


**Sx1**



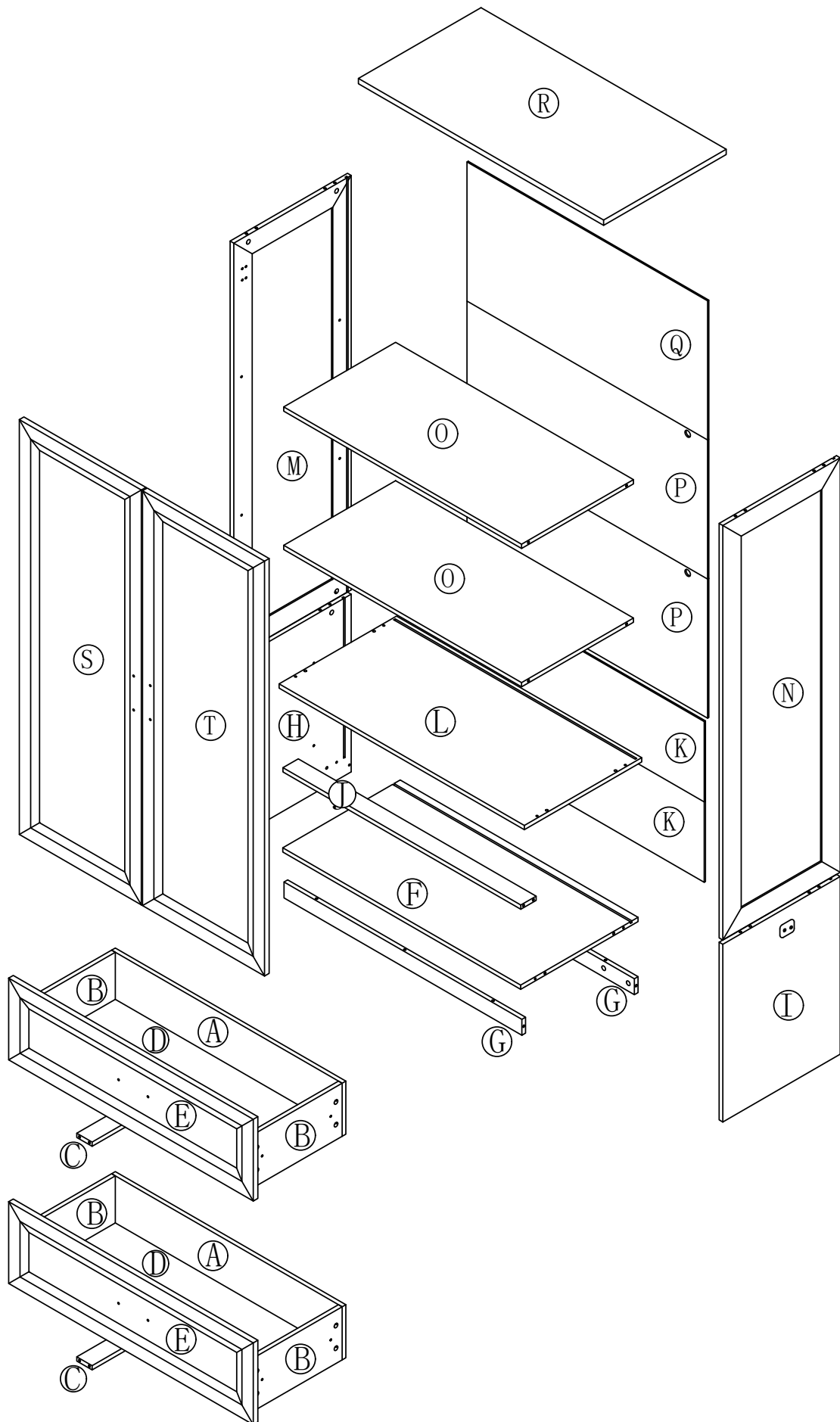
**Tx1**

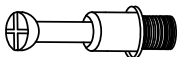

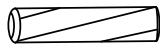






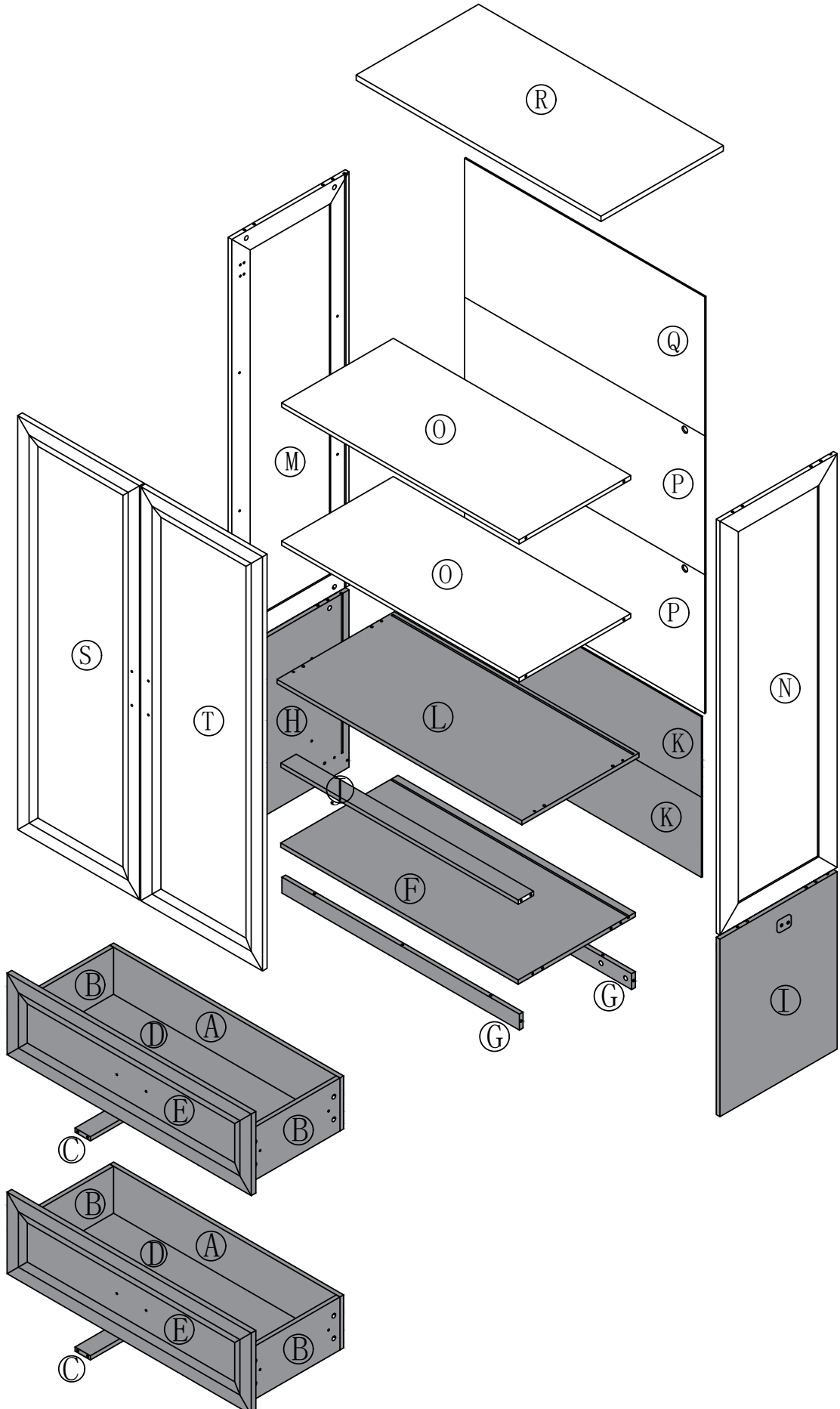
**1**

①		Two In One Screw (6x28mm)	62pcs +4pcs
②		Two In One Nut (10x12mm)	62pcs +4pcs
③		Wood Chipping (6x30mm)	16pcs +2pcs
④		Handle & Screw (4x8mm)	2pcs 4pcs +1pcs
⑤		Guide & Screw(29cm) (3x12mm)	4pcs 20pcs +4pcs
⑥		Non-slip pads (50x10x2mm)	10pcs +2pcs
⑦		Magnetic attraction & Screw (3x12mm)	1pcs 2pcs +1pcs
⑧		Handle & Screw (4x18mm)	2pcs 4pcs +1pcs
⑨		Hinge & Screw (3.5x12mm)	4pcs 24pcs +4pcs
⑩		Iron sheet & Screw (3x10mm)	2pcs 4pcs +1pcs
⑪		Double end connecting line	1pcs
⑫		Clamp	3pcs +2pcs
⑬		Fixing clip & Screw (3x16mm)	18pcs +2pcs
⑭		Foot nail	4pcs +2pcs
/		AC/DC Adapter (12V=2.0A)	1pcs
⑮	<p>Anti Fall Hardware</p> 	 <p>1pcs</p> <p>Double-head screwdriver, use as required</p>	

# Product structure decomposition

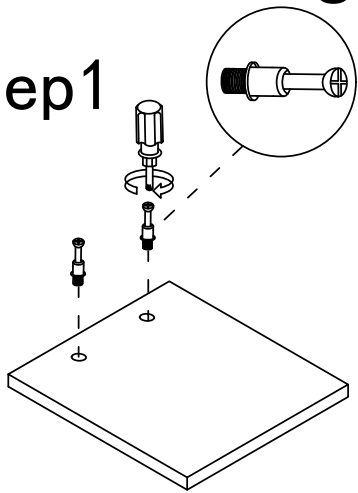


①	 50pcs	②	 46pcs	③	 8pcs	
④	 2pcs	 4pcs	⑤	 20pcs	⑥	 10pcs

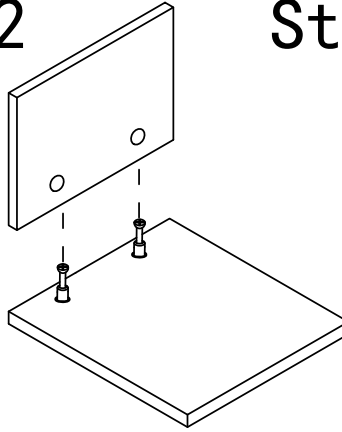


# Use parts ① and ②

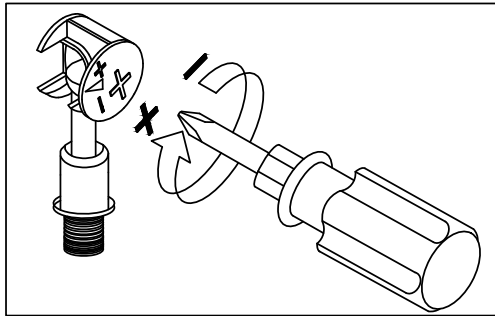
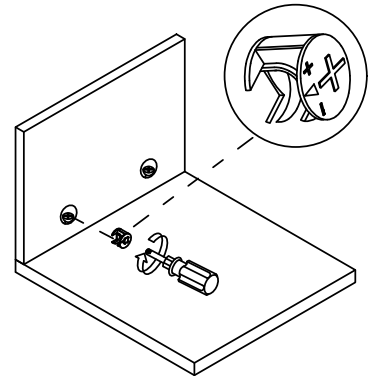
Step1



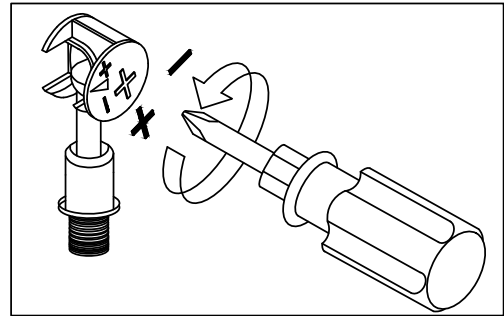
Step2



Step3

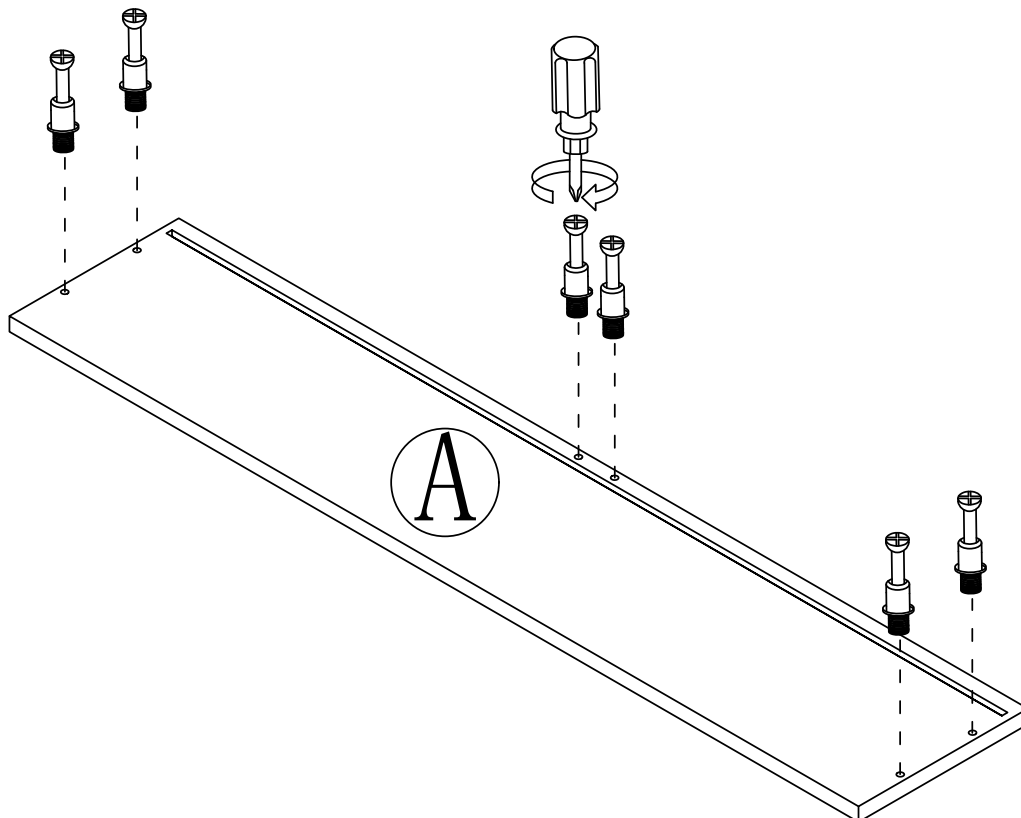
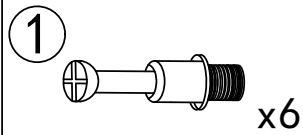


Use a screwdriver to lock in the direction of the "+" sign



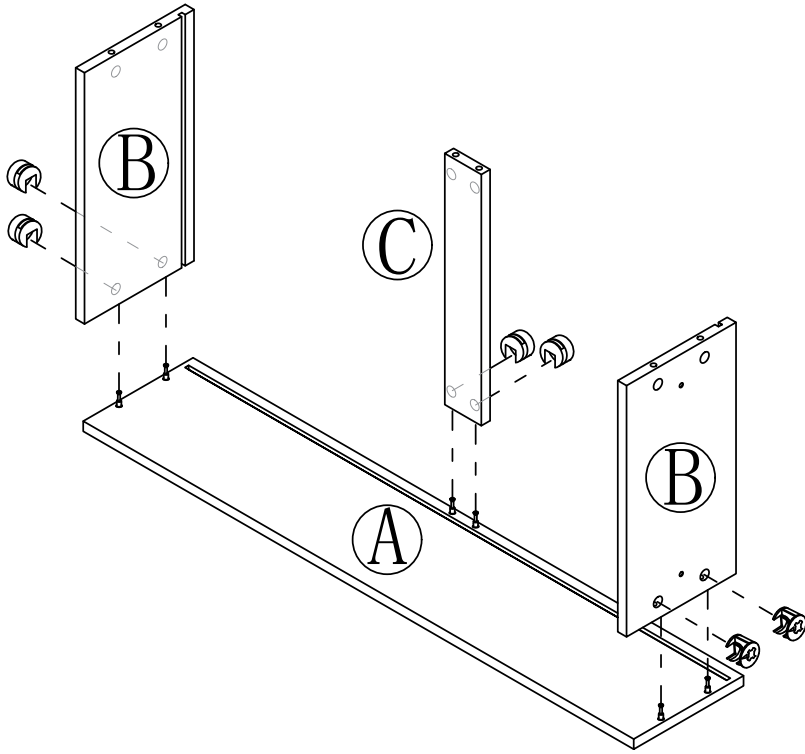
Disassemble along the direction of "-" sign

Step 1

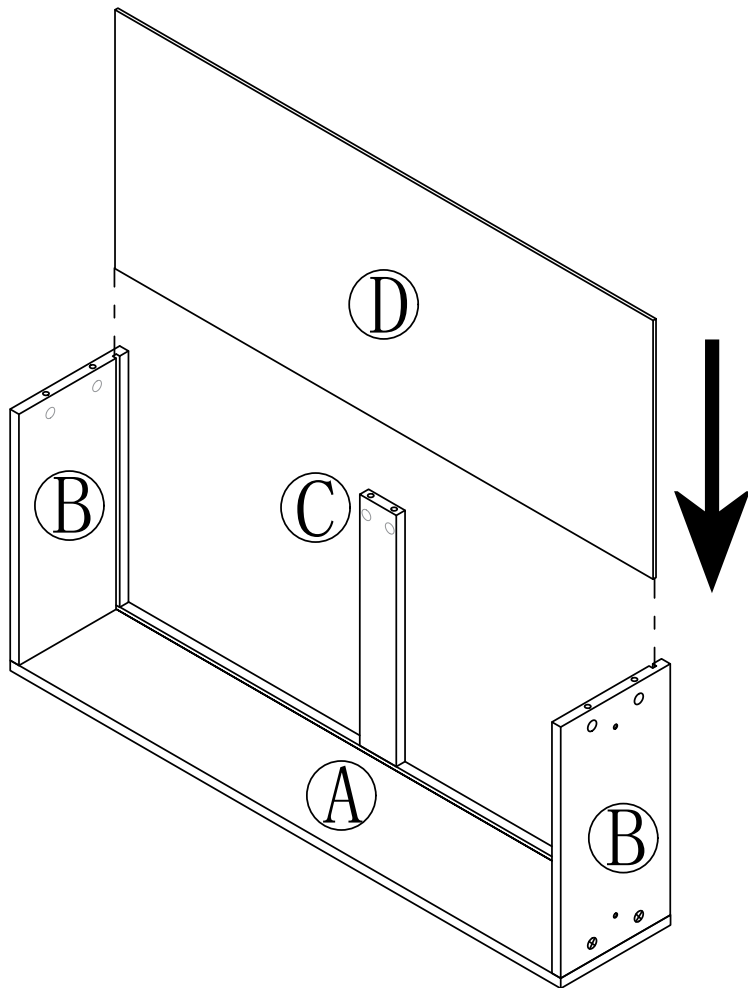


Step 2

2  x6

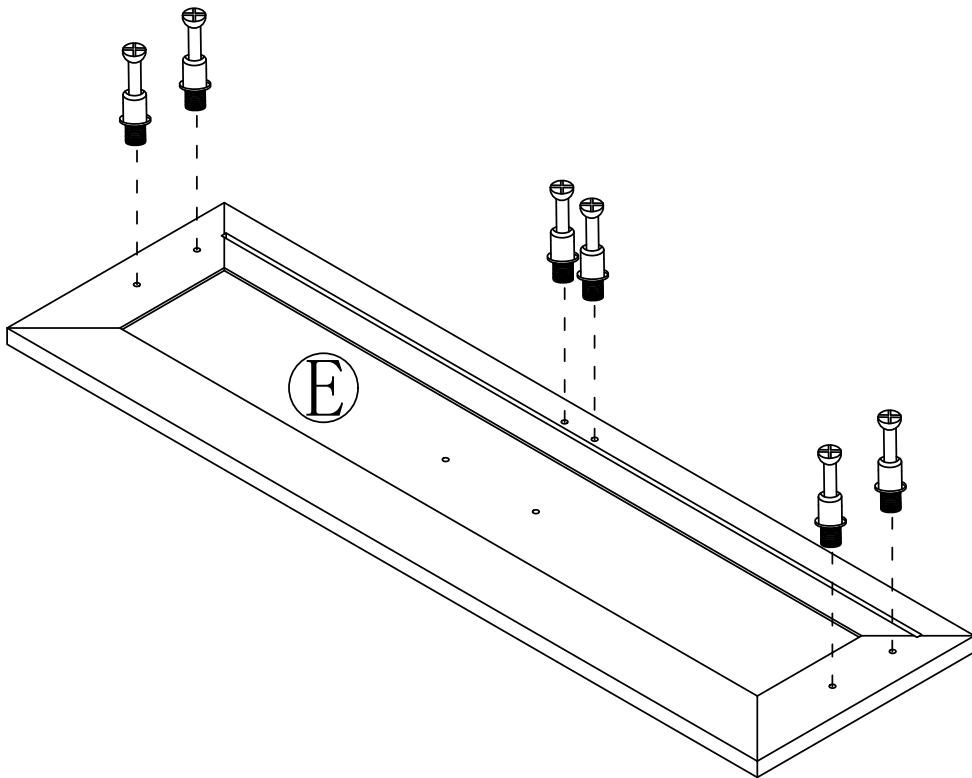
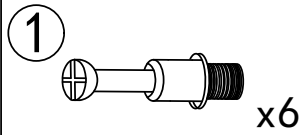


Step 3

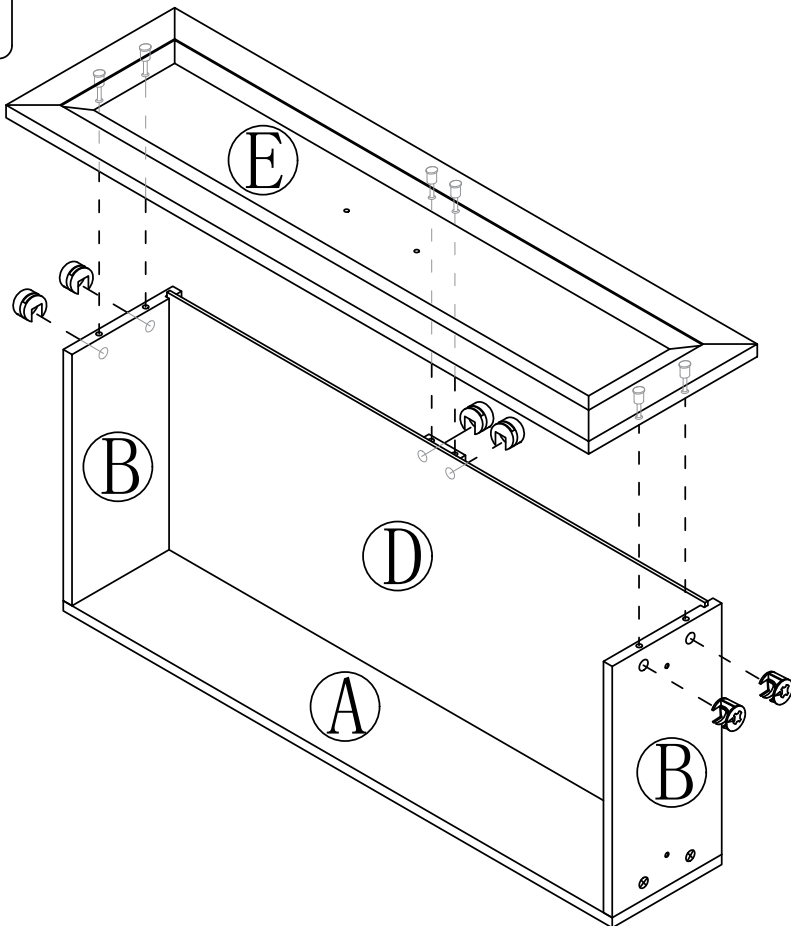


6

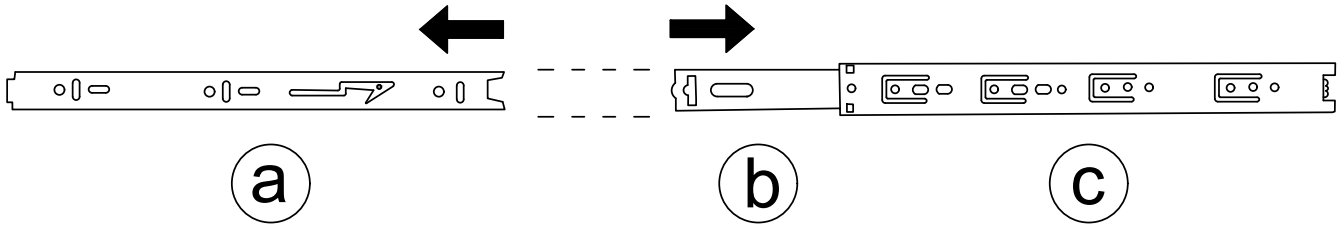
Step 4



Step 5

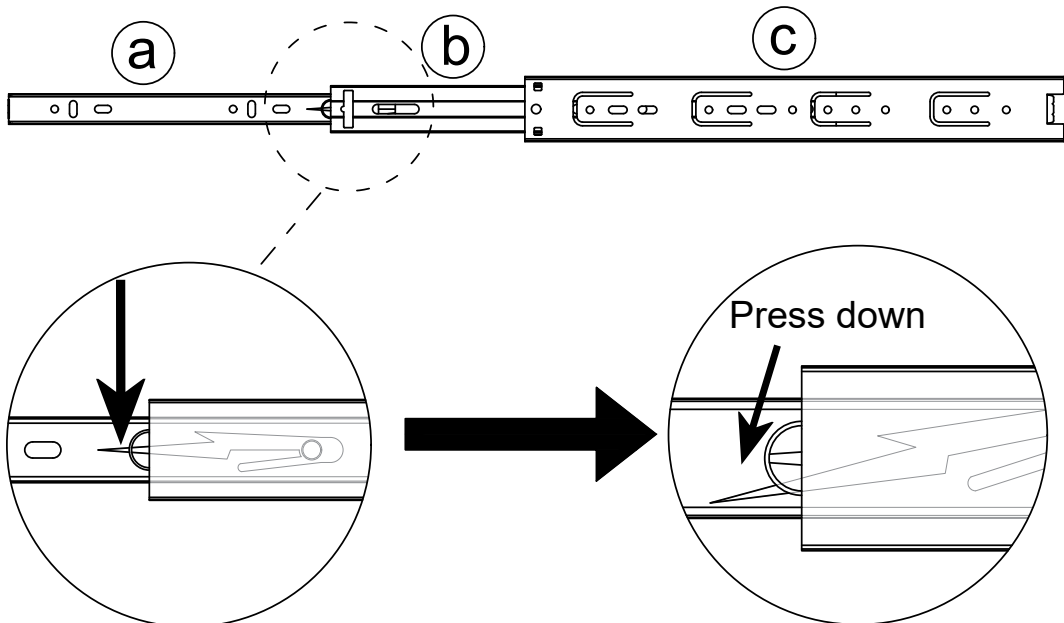


Drawer rail breakdown diagram



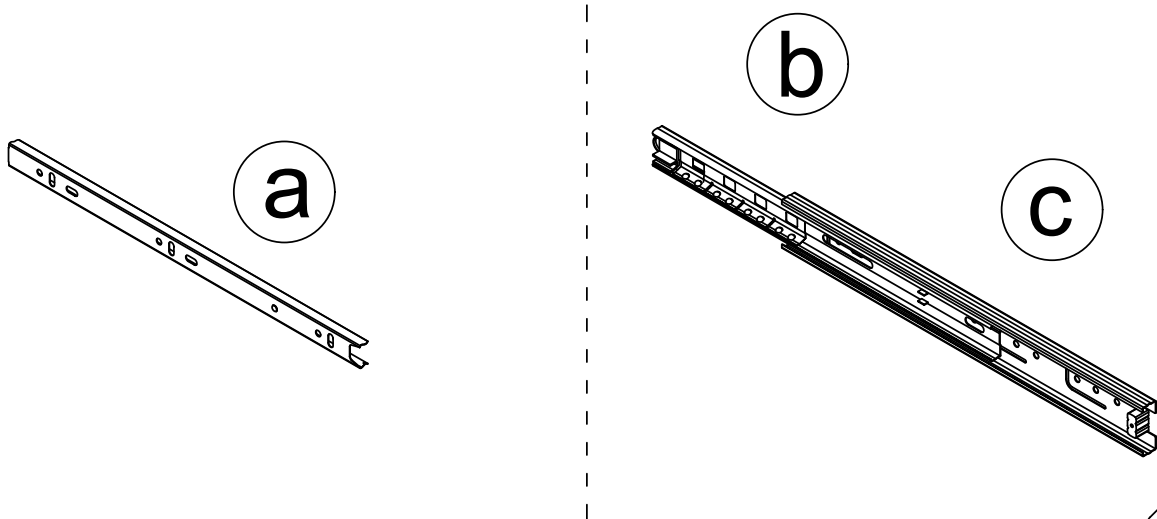
① Dismantle the schematic diagram

Step 1 : Pull the rails apart

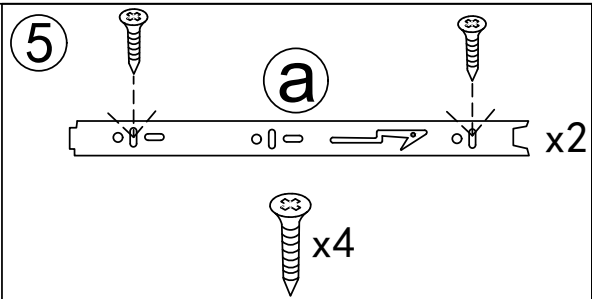
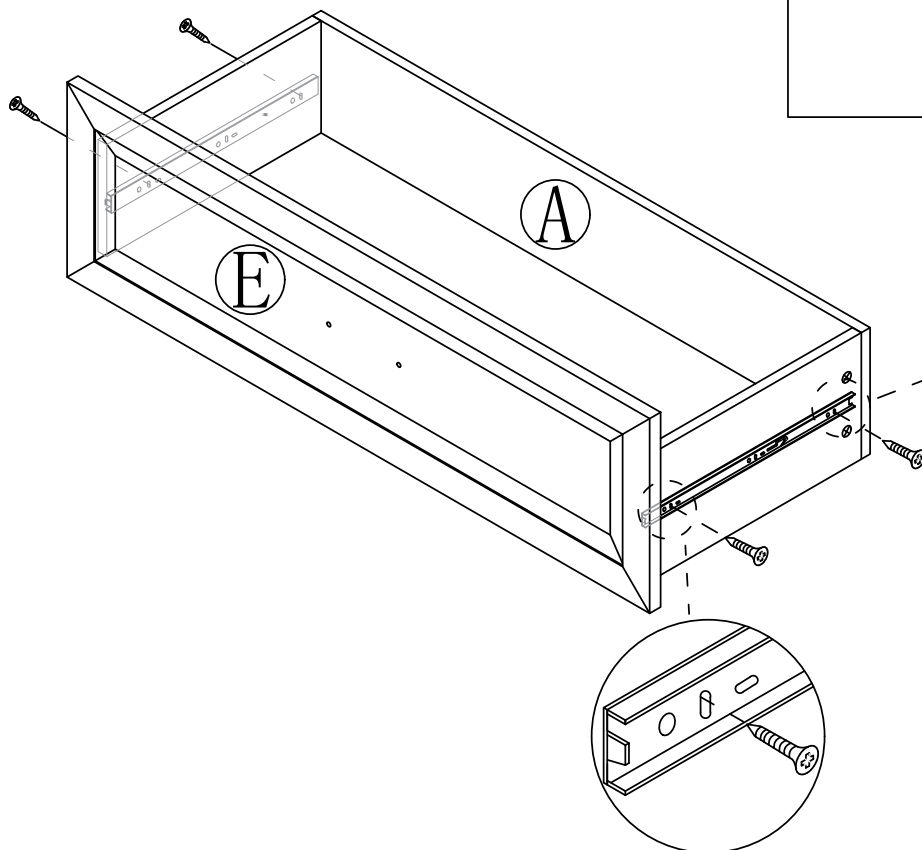


Step 2 : Press the nylon button and pull out ①.

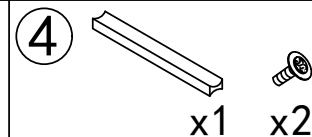
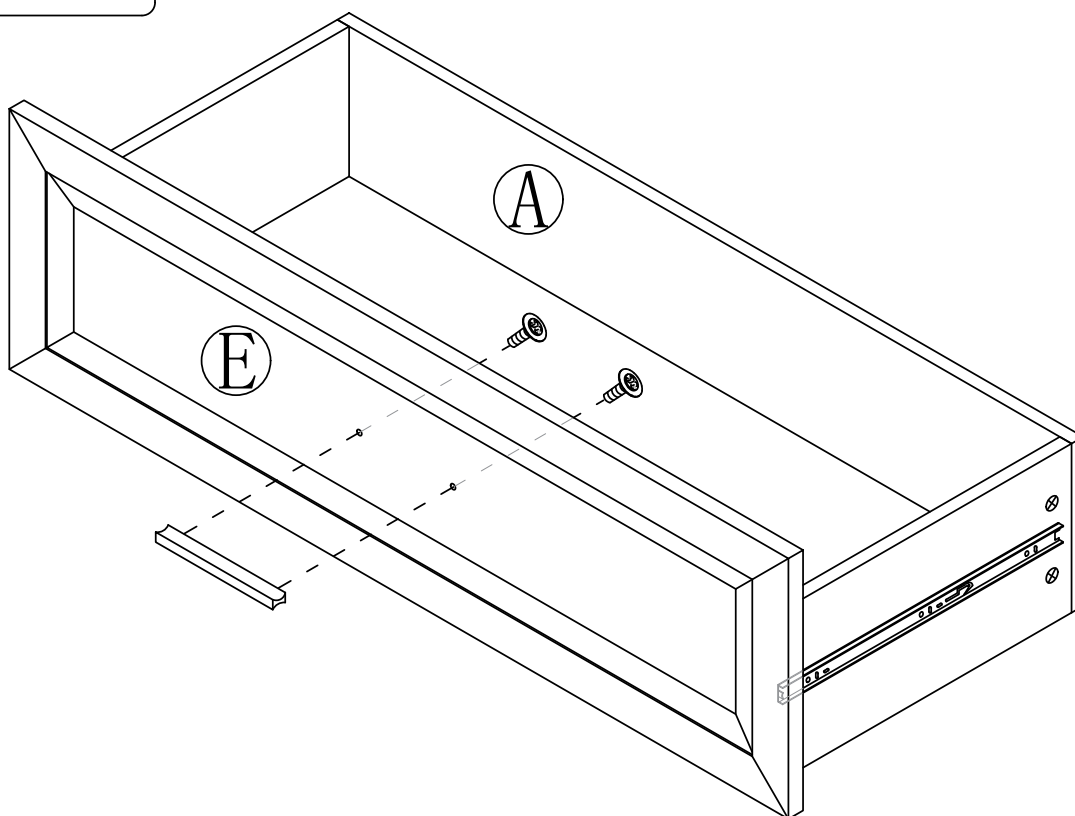
Drawer rail decomposition completed schematic diagram



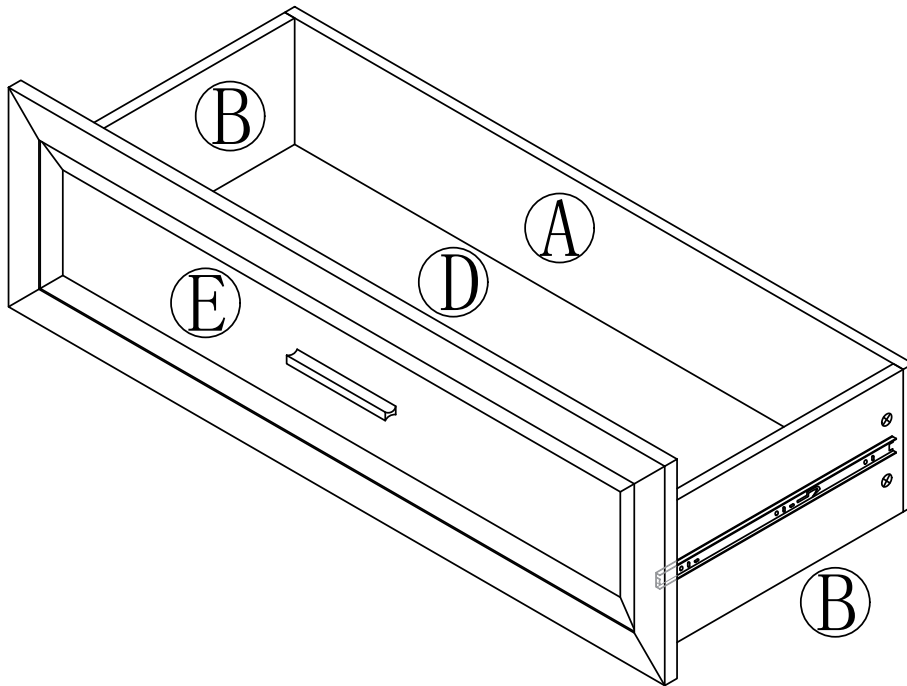
# Step 6

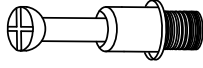

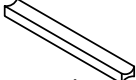



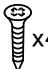


# Step 7



# Step 8

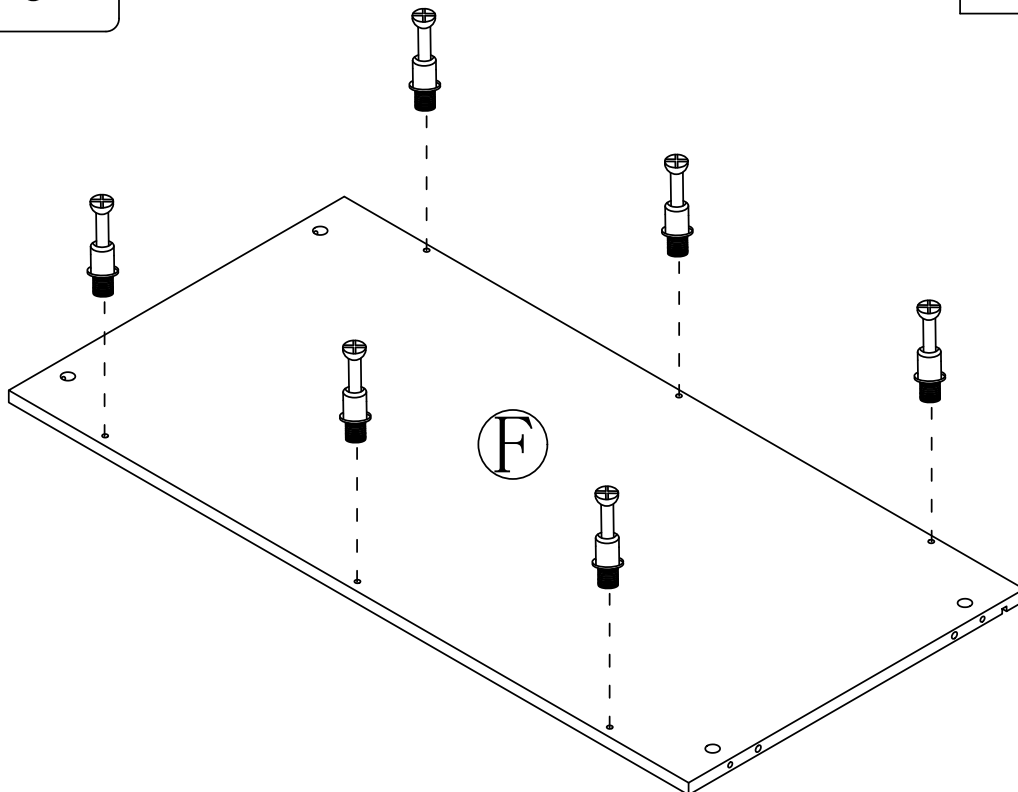


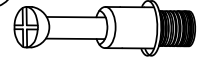
- ①  x12
- ②  x12
- ④  x1  x2
- ⑤   x2  x4

x2

Use the same way to install another drawer

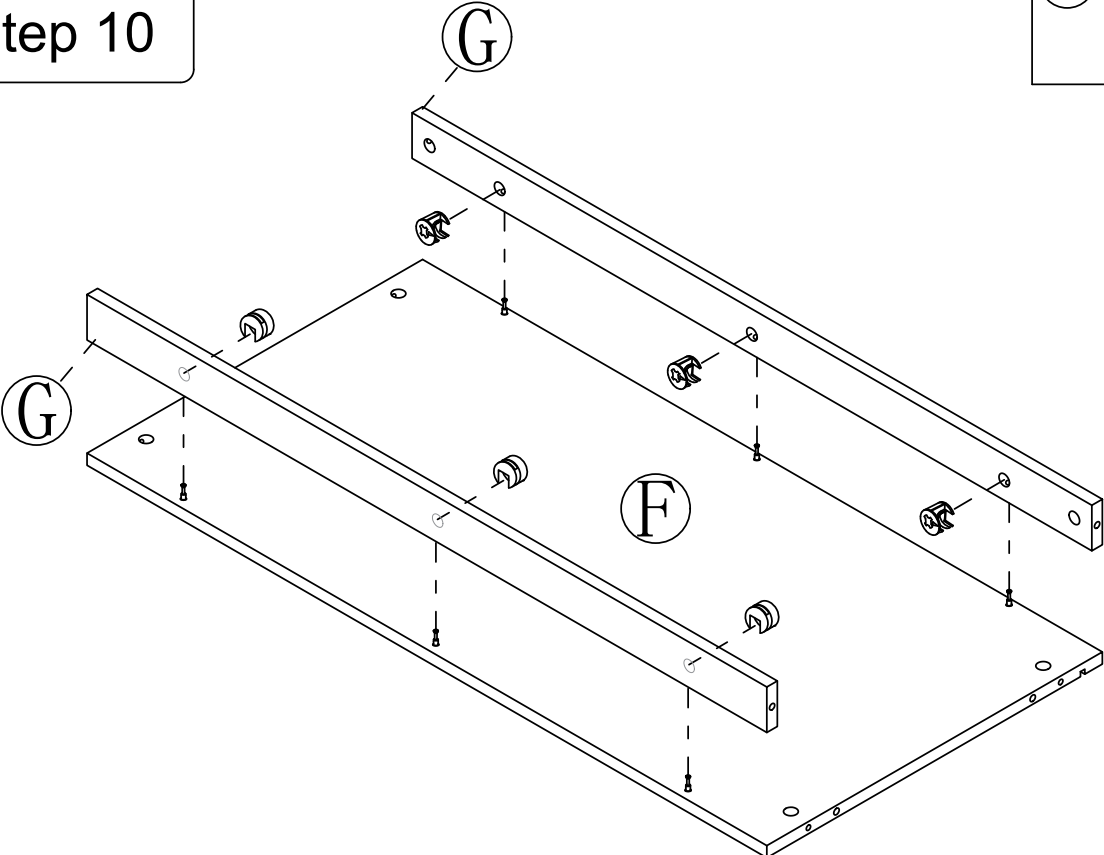
# Step 9



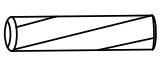
- ①  x6

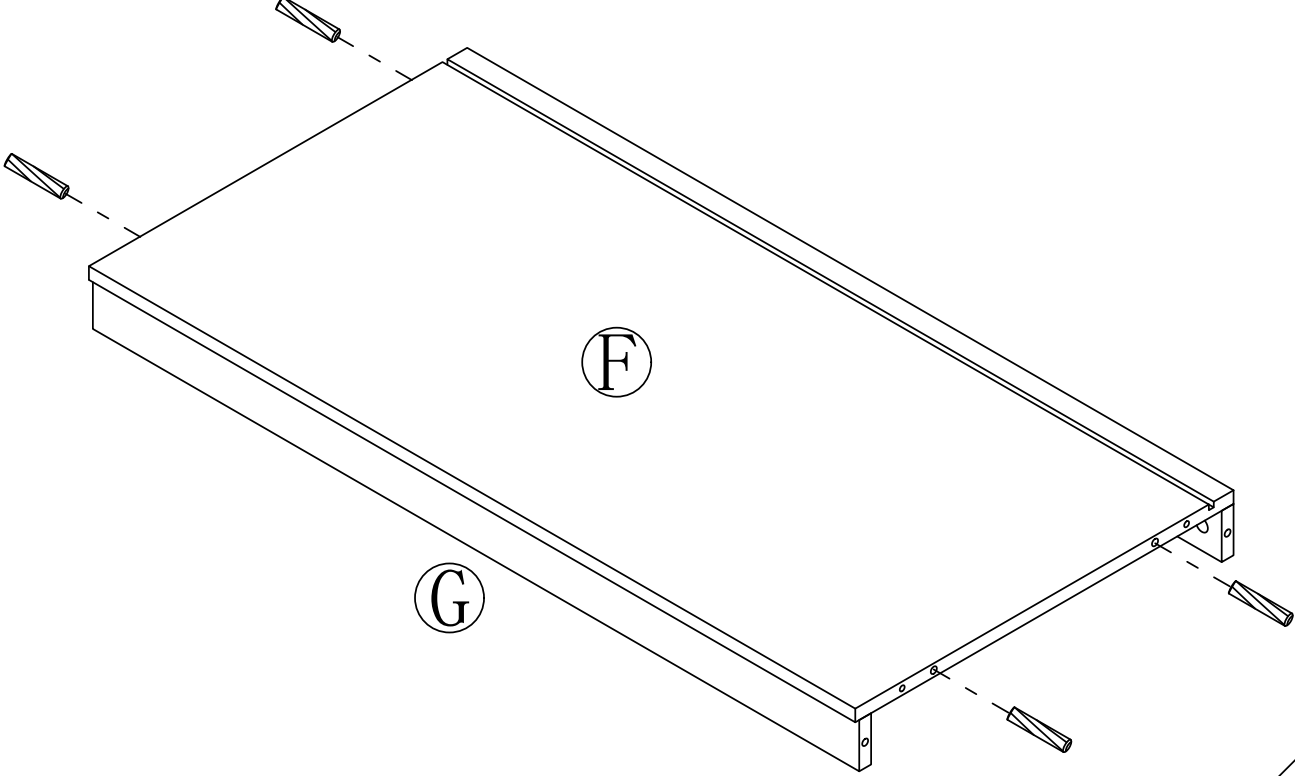
Step 10

2  x6

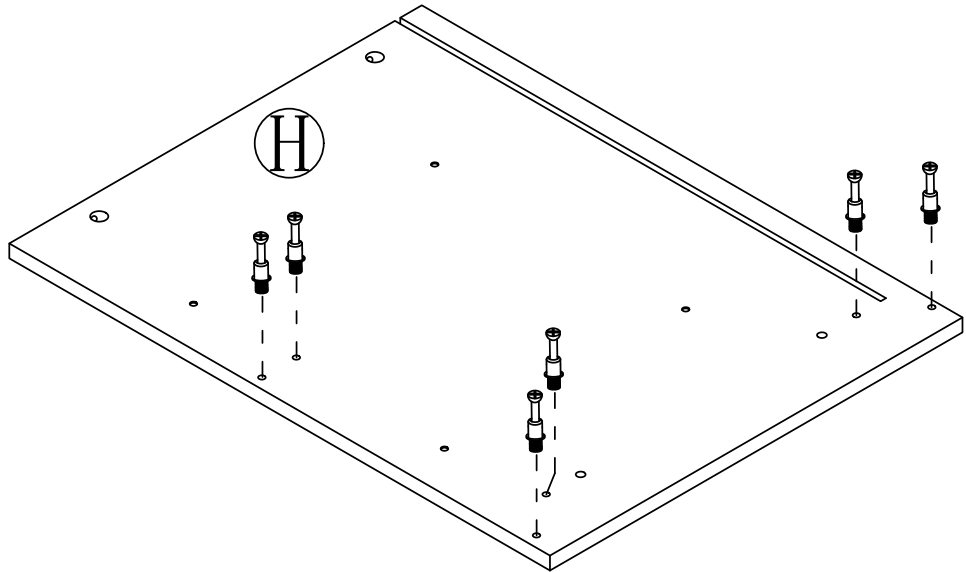
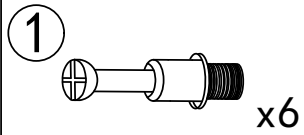


Step 11

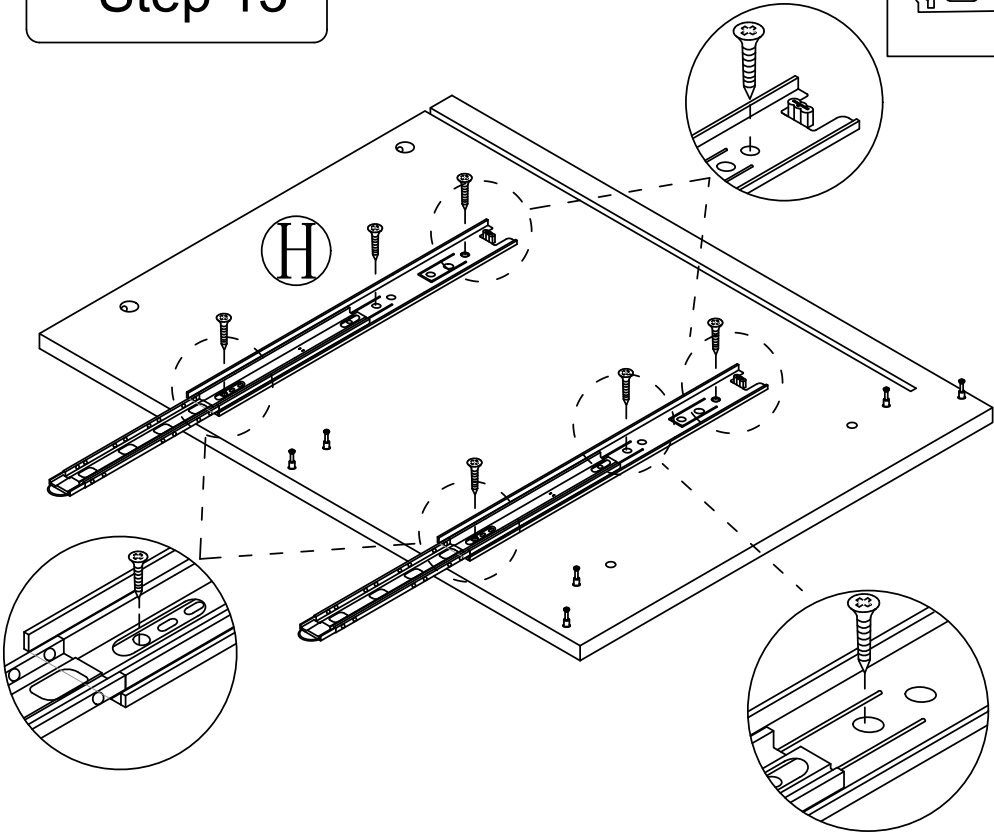
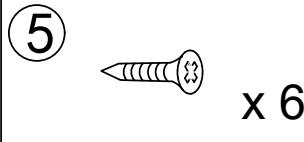
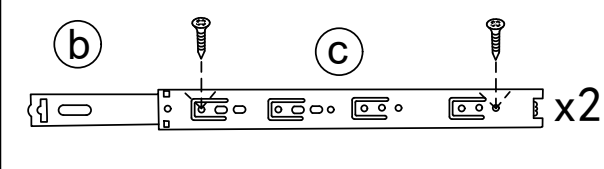
3  x4



Step 12

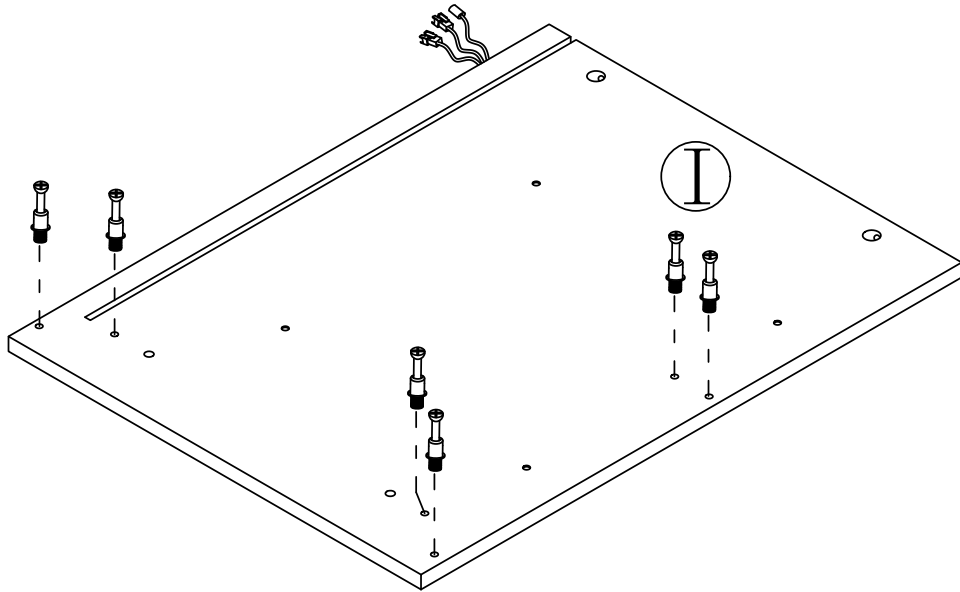
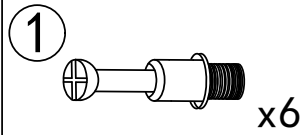


Step 13

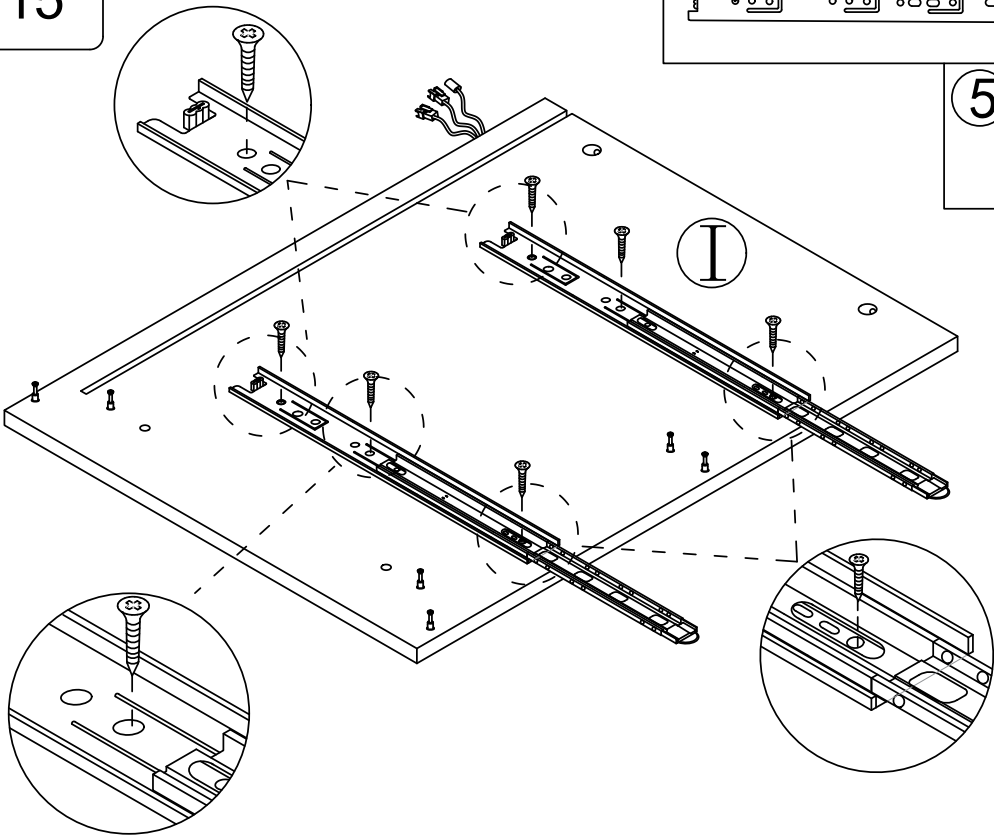
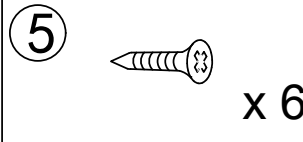
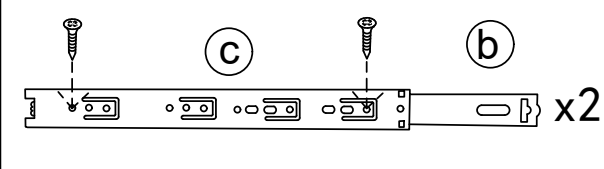


This hole is a reinforced fixing hole which can be installed as required

# Step 14



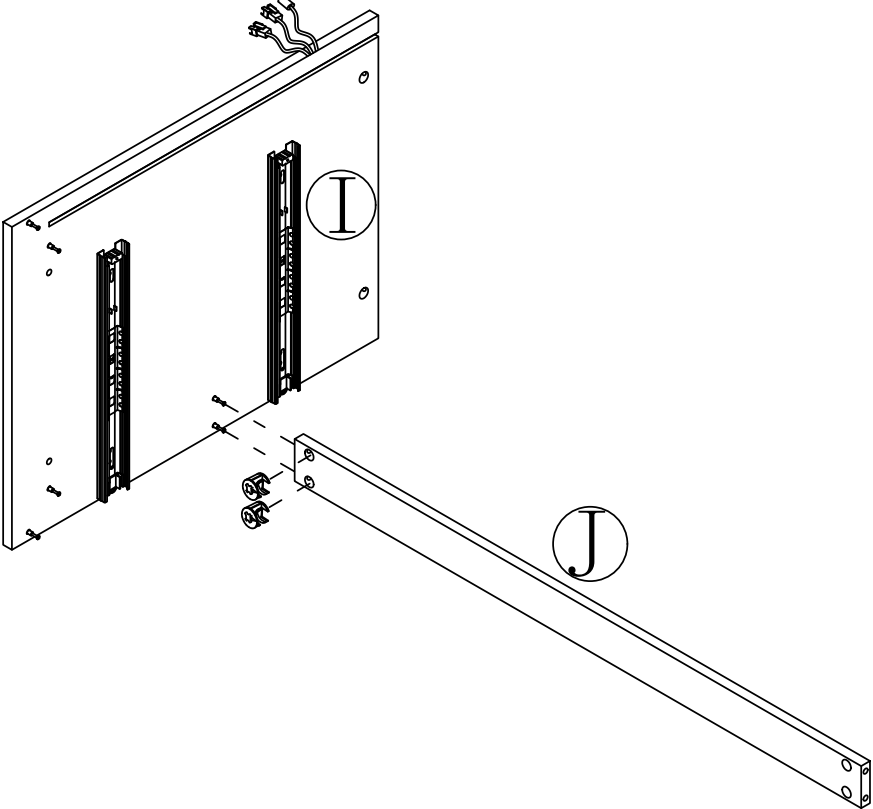
# Step 15



This hole is a reinforced fixing hole which can be installed as required

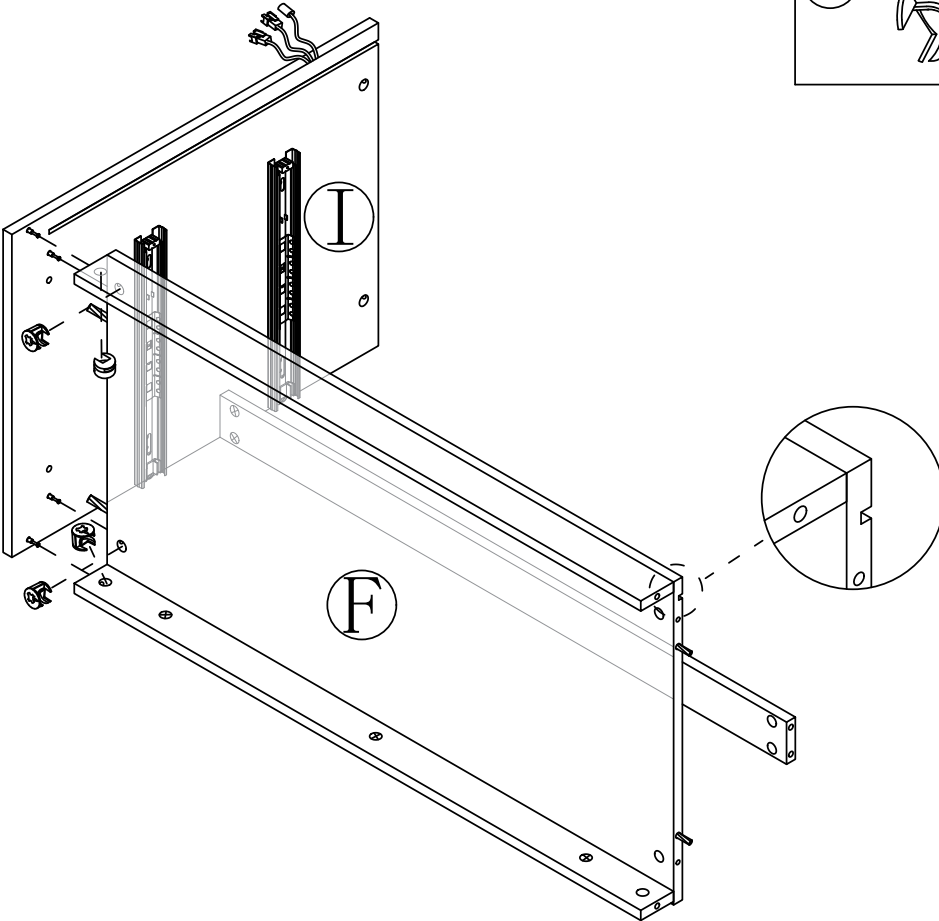
Step 16

2  x2



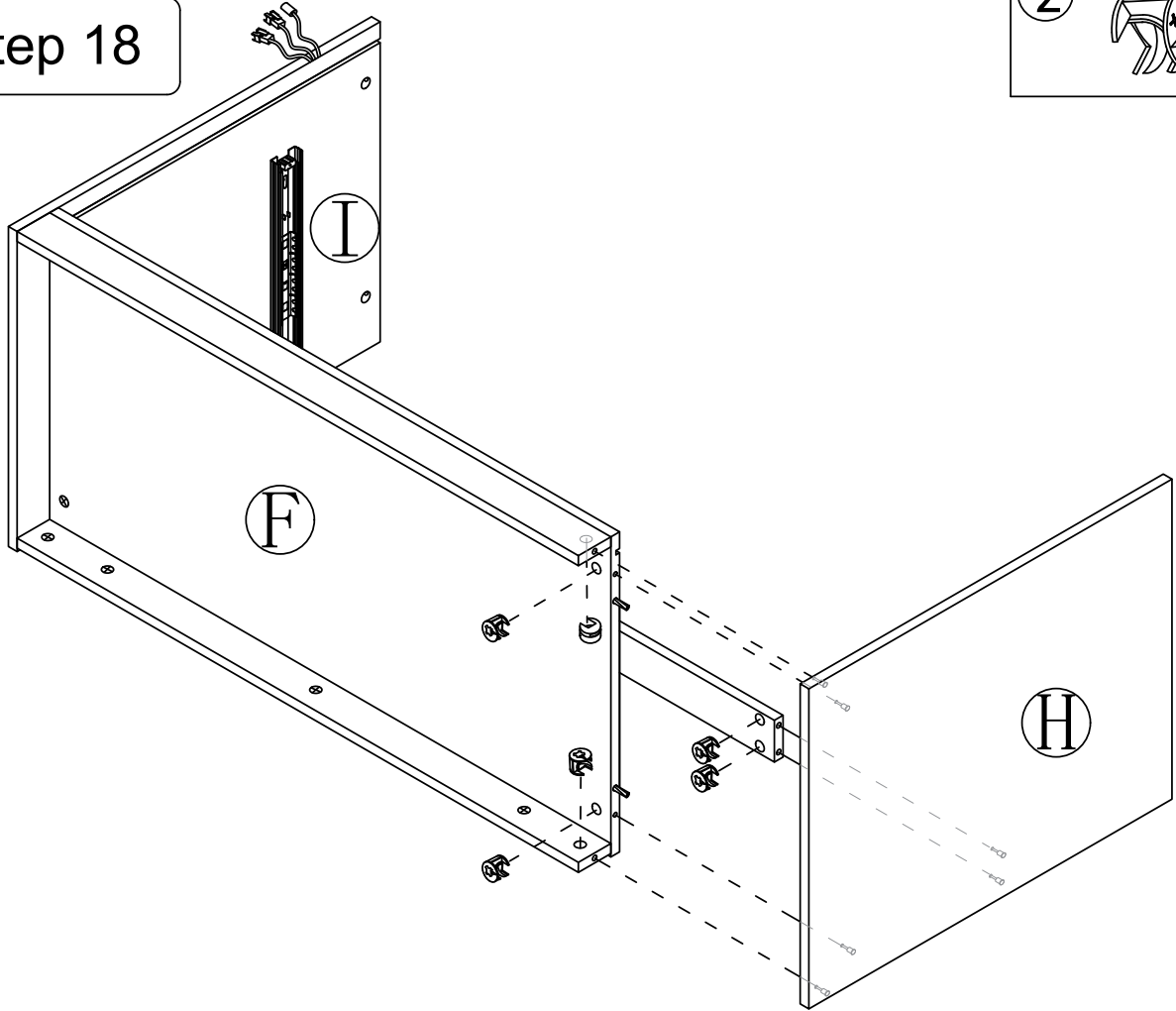
Step 17

2  x4

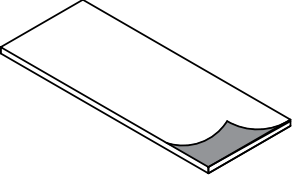


# Step 18

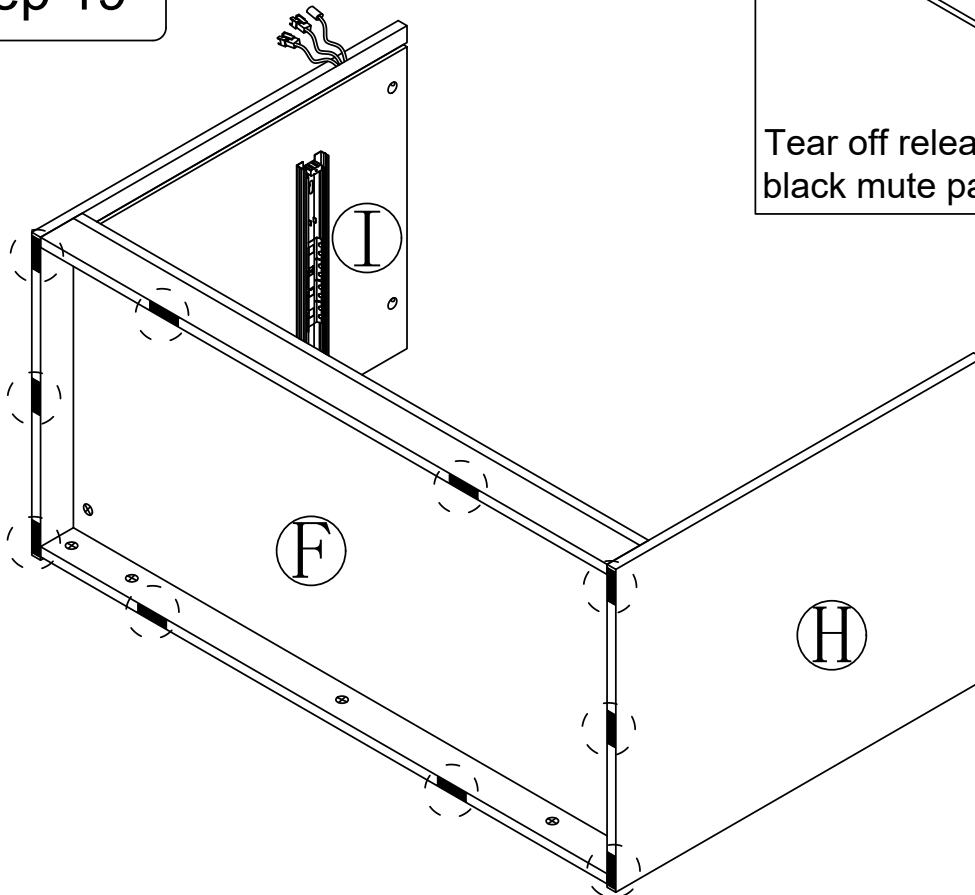
2  x6



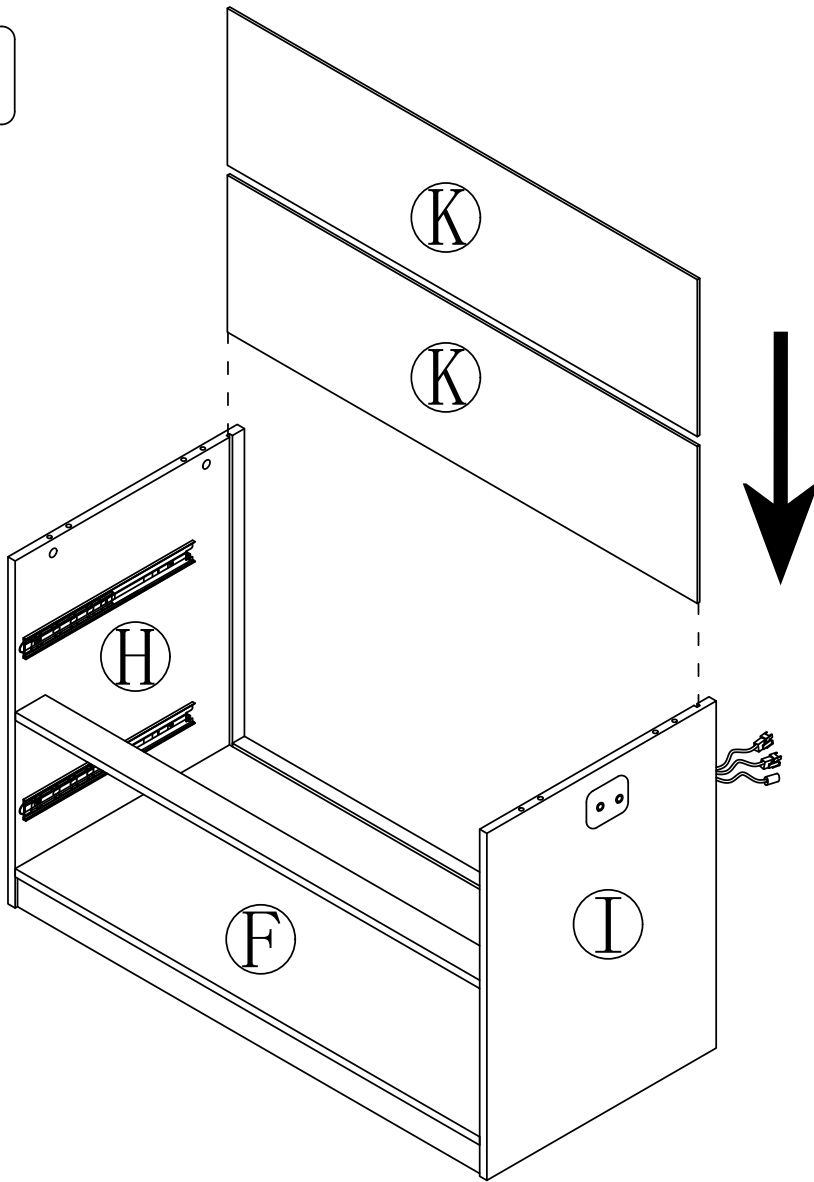
# Step 19

6  x10

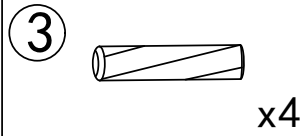
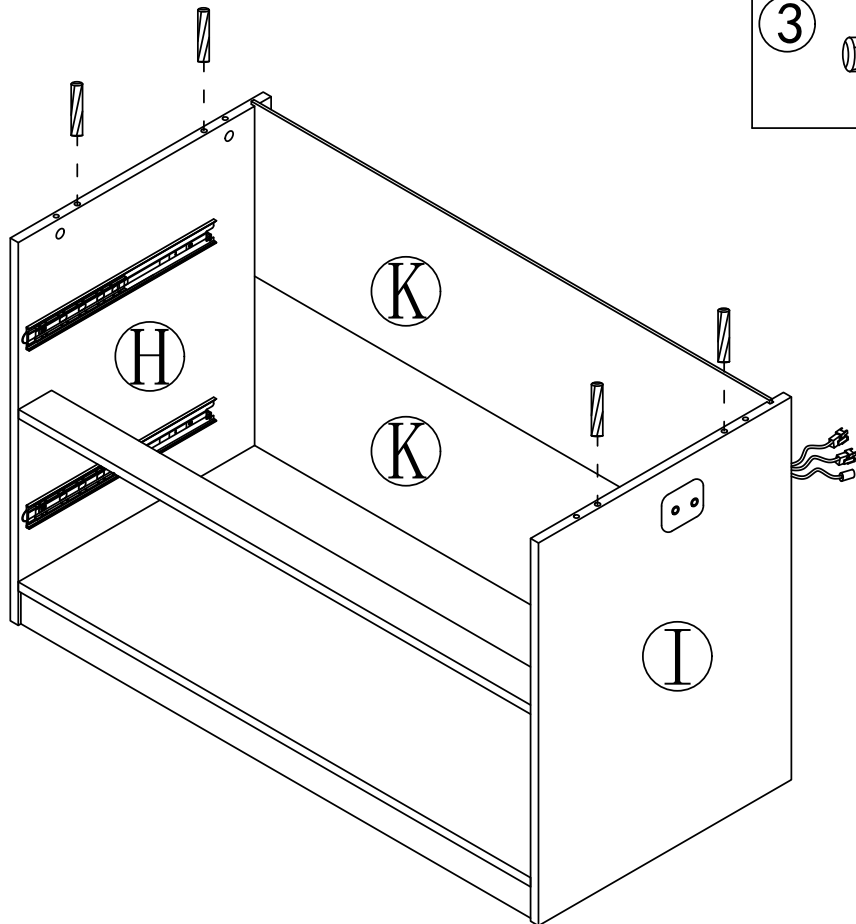
Tear off release paper and stick the black mute pad on the board



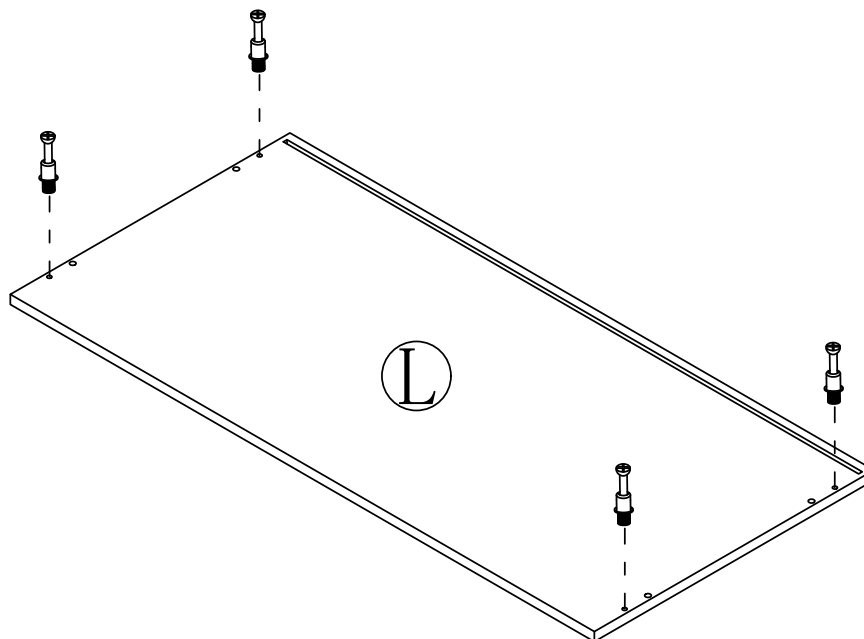
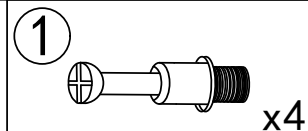
Step 20



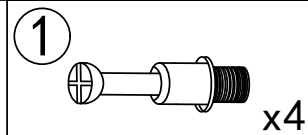
Step 21



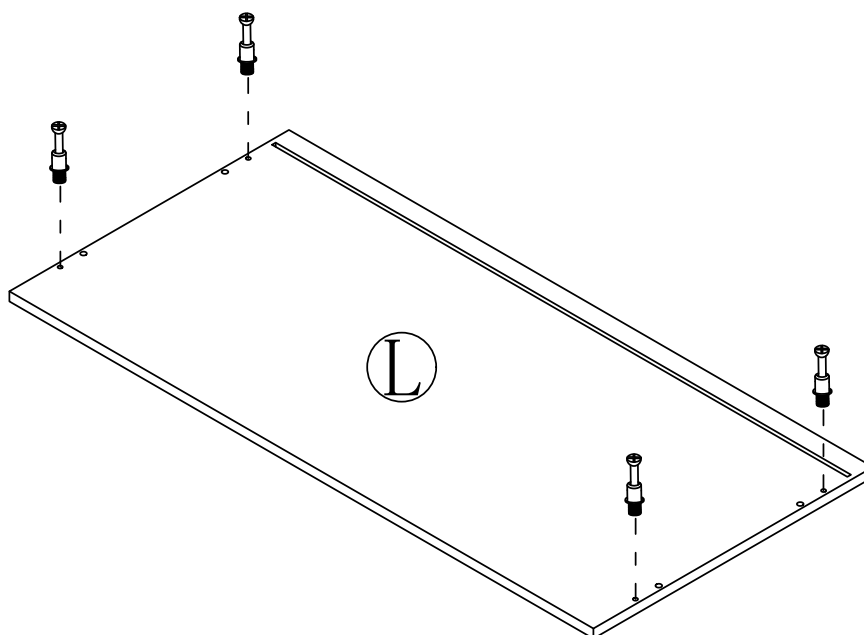
# Step 22



# Step 23



Flip the other side to install the screw



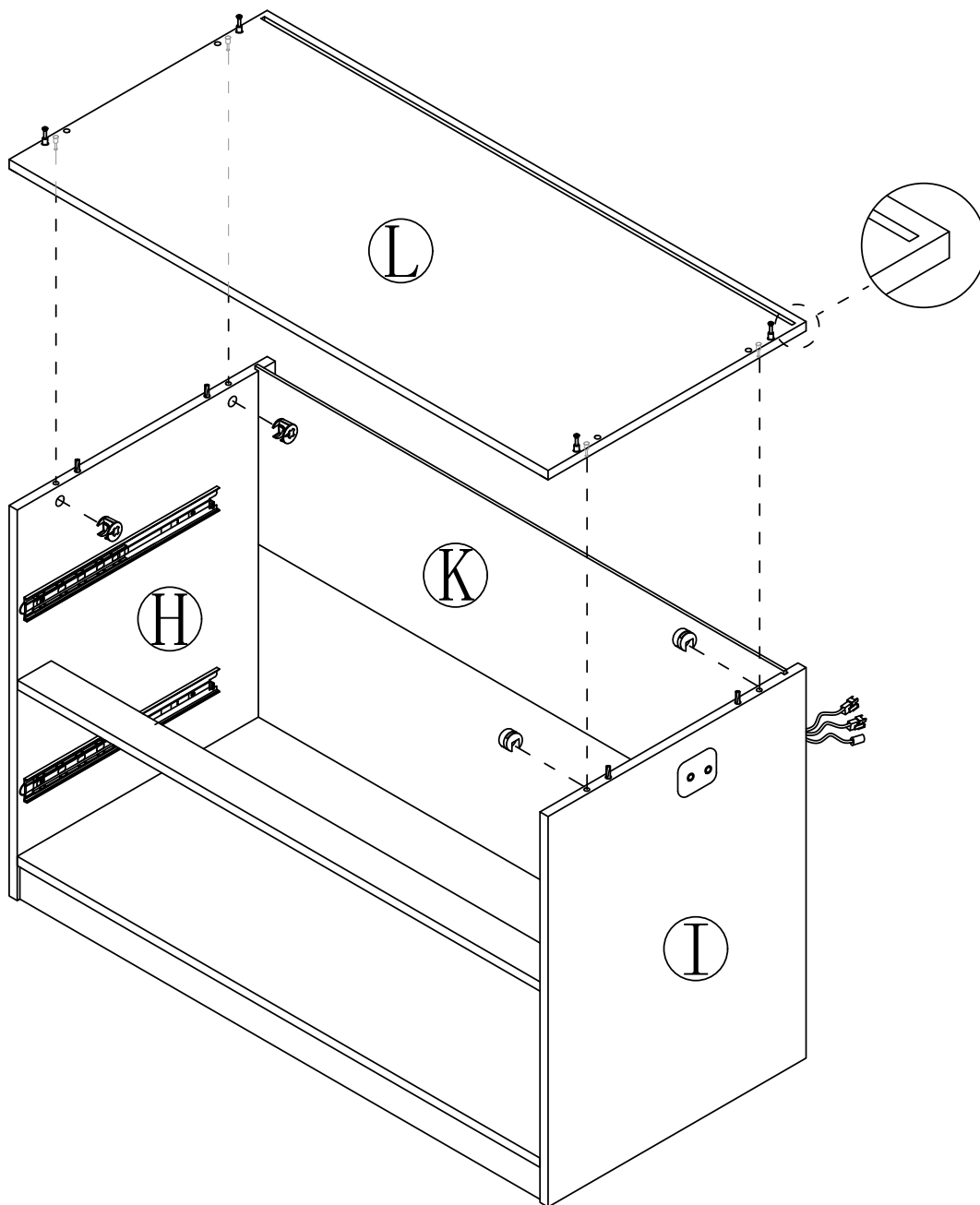
# Step 24

2

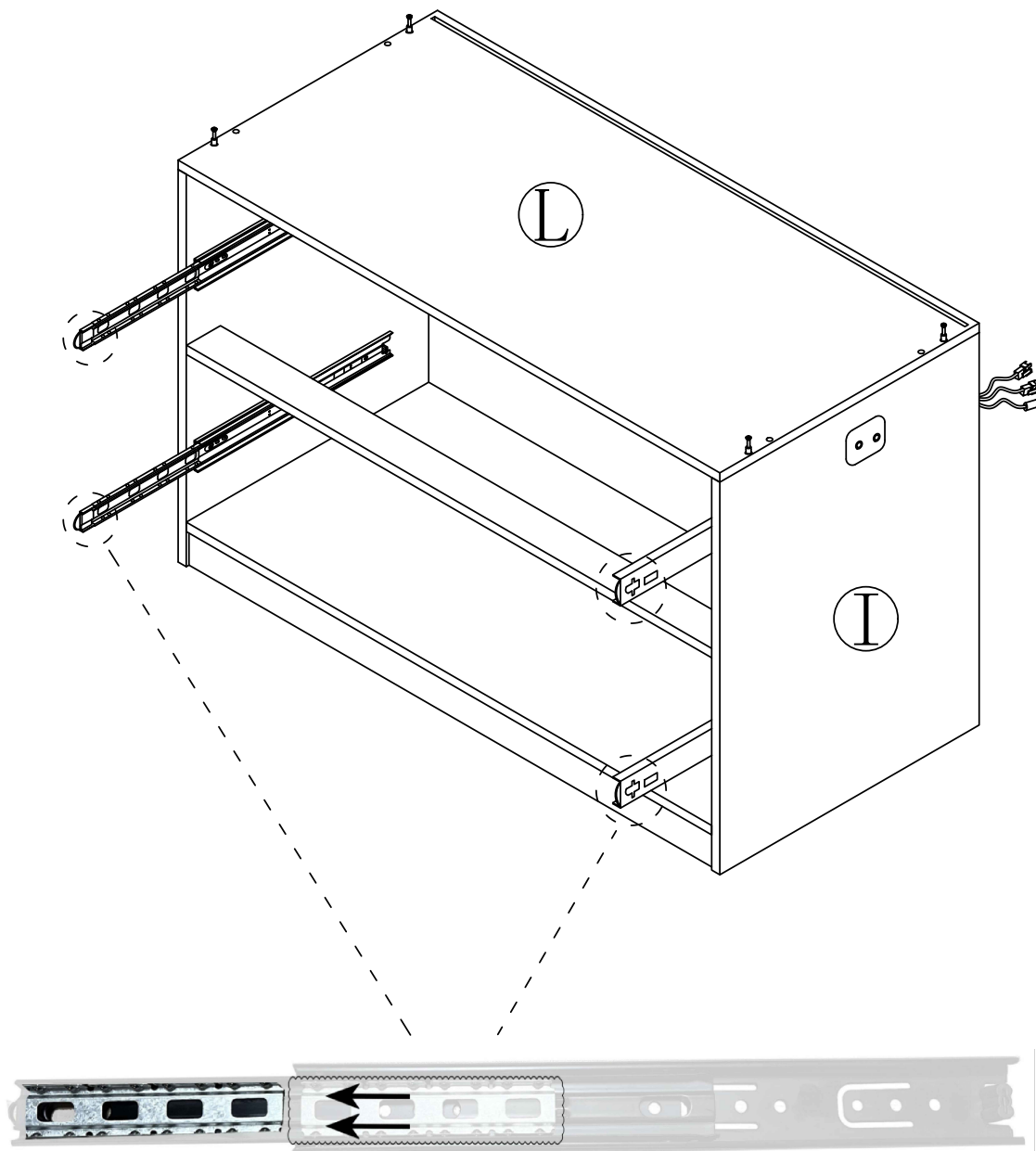


x4

If it cannot be installed, flip the installation side

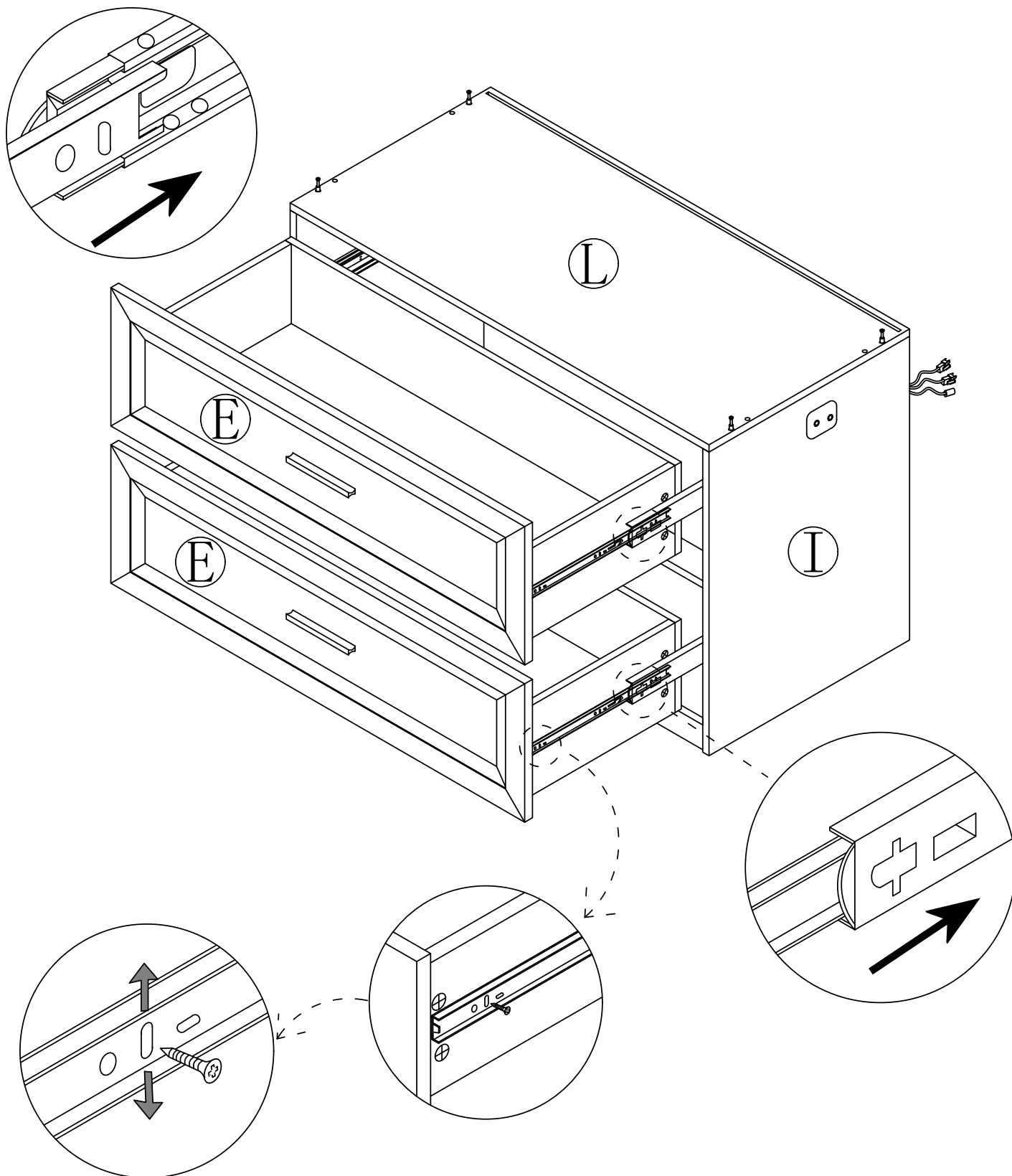


## Step 25

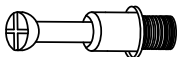

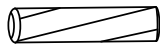
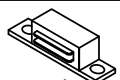

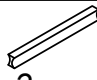




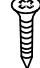


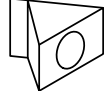

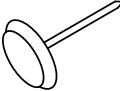
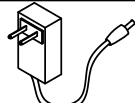



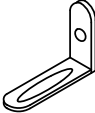



As shown, When installing the drawer, pull the guide rail out first, Slide beads are also pulled out.

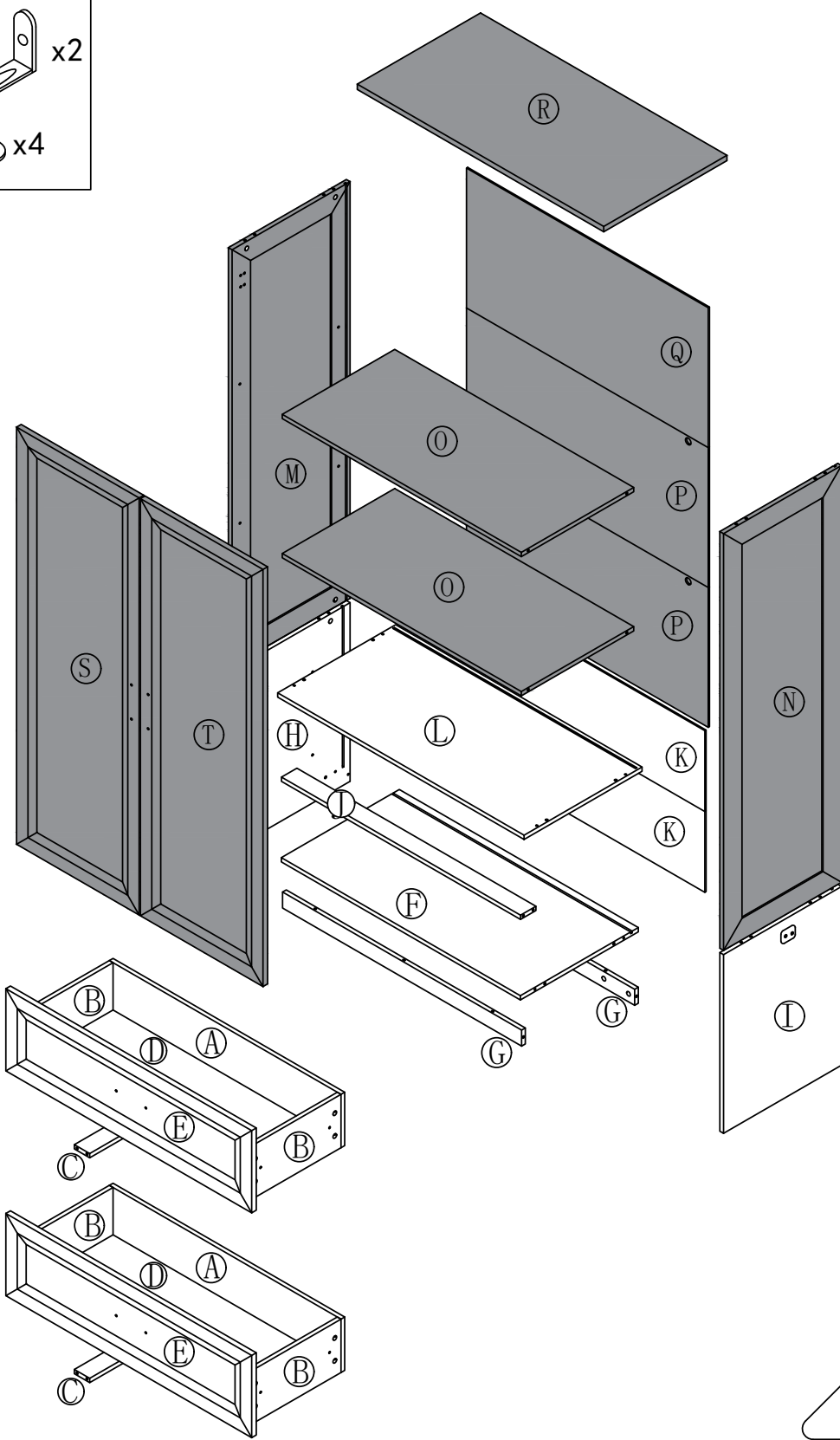
## Step 26



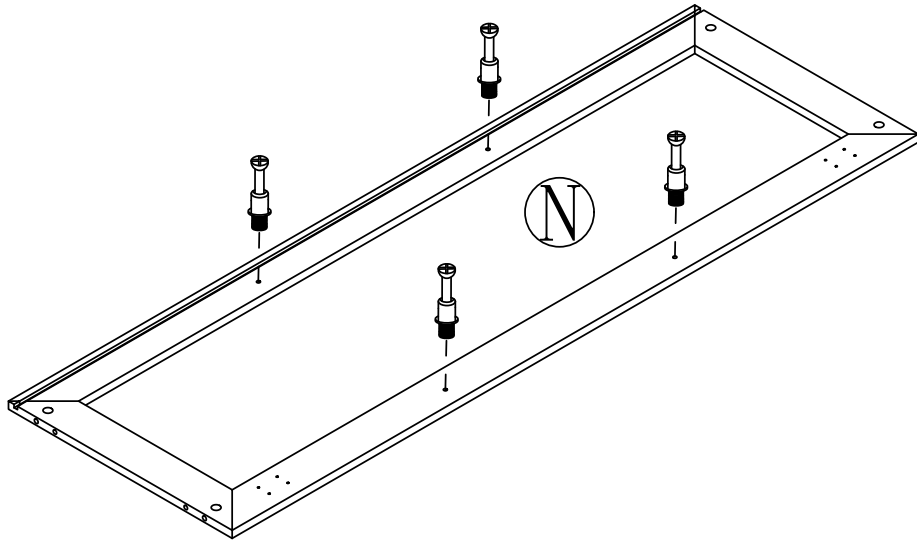
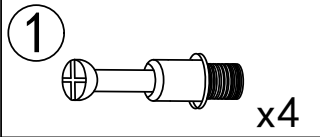
If a large gap is found after installing the drawer the slide rail can be moved up and down to adjust the gap

①	 12pcs	②	 16pcs	③	 8pcs
⑦	 1pcs  2pcs	⑧	 2pcs  4pcs	⑨	 4pcs  24pcs
⑩	 2pcs  4pcs	⑪	 1pcs	⑫	 3pcs
⑬	  18pcs	⑭	 4pcs		 1pcs

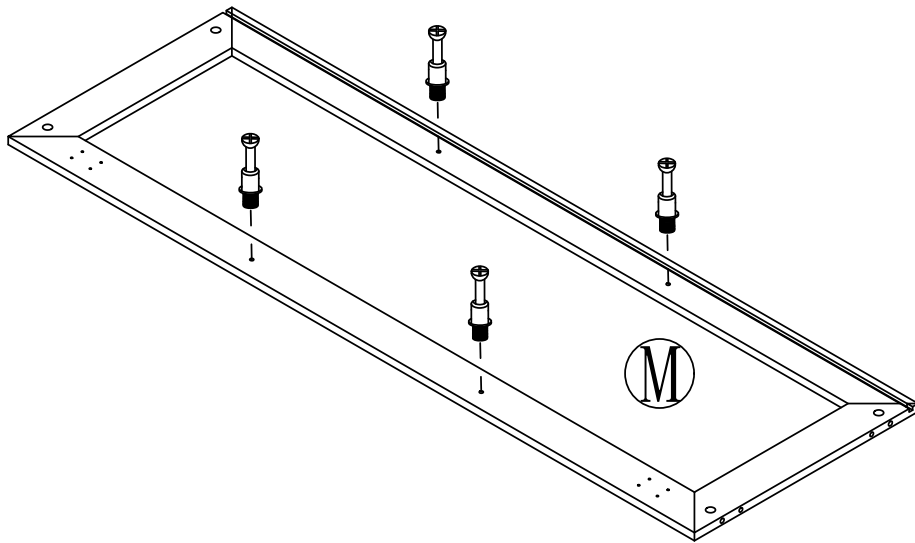
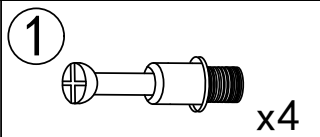
⑮	 x2  x2
 x2  x2  x4	



Step 27

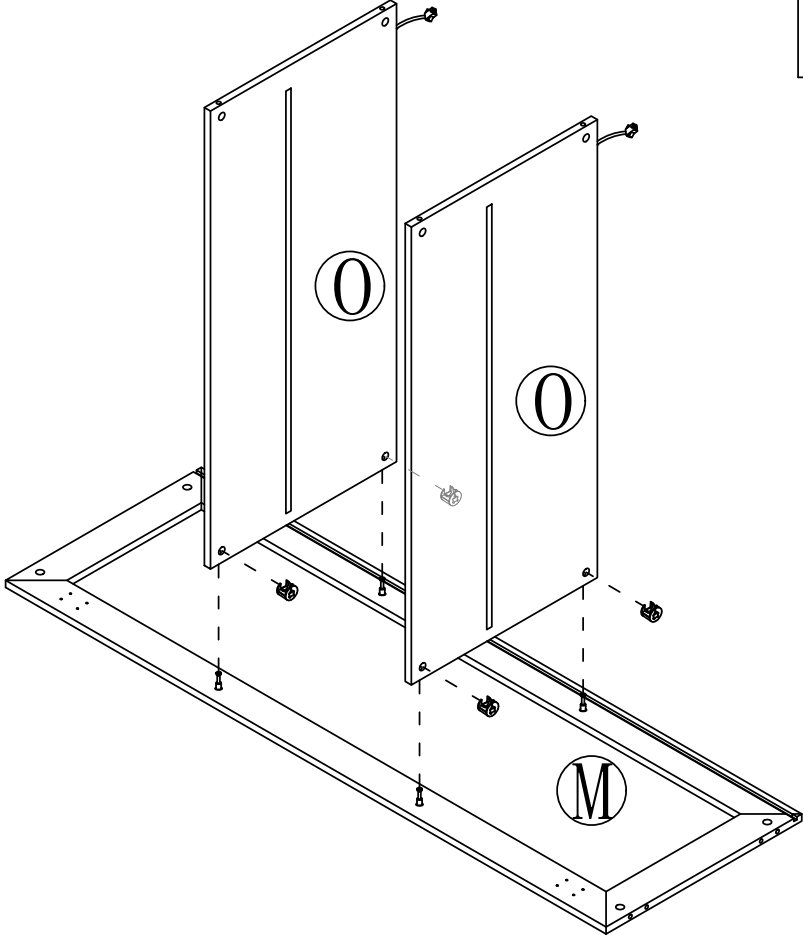


Step 28



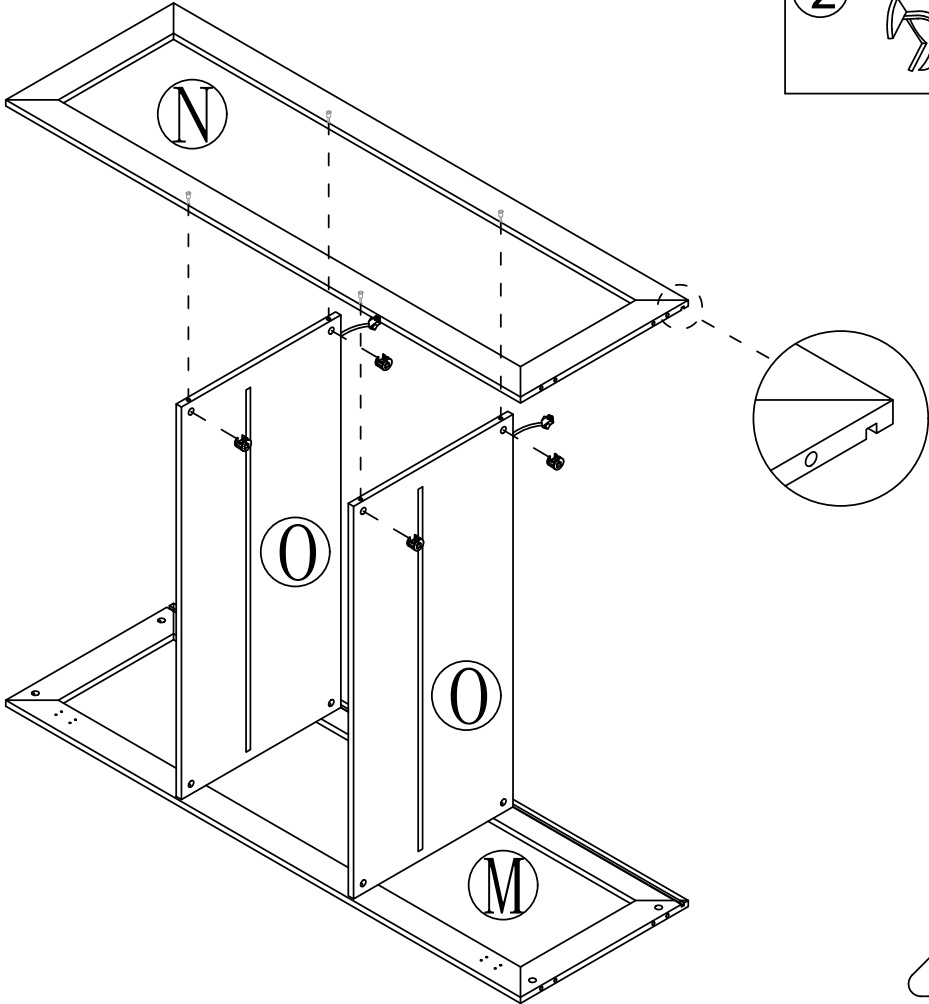
Step 29

2  x4

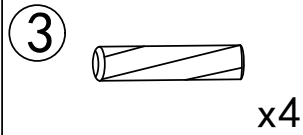
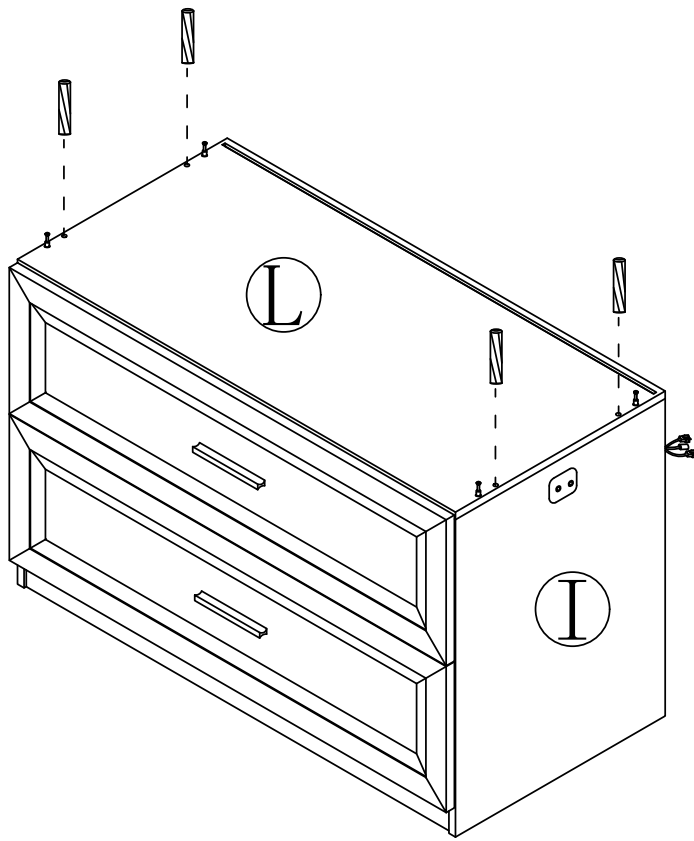


Step 30

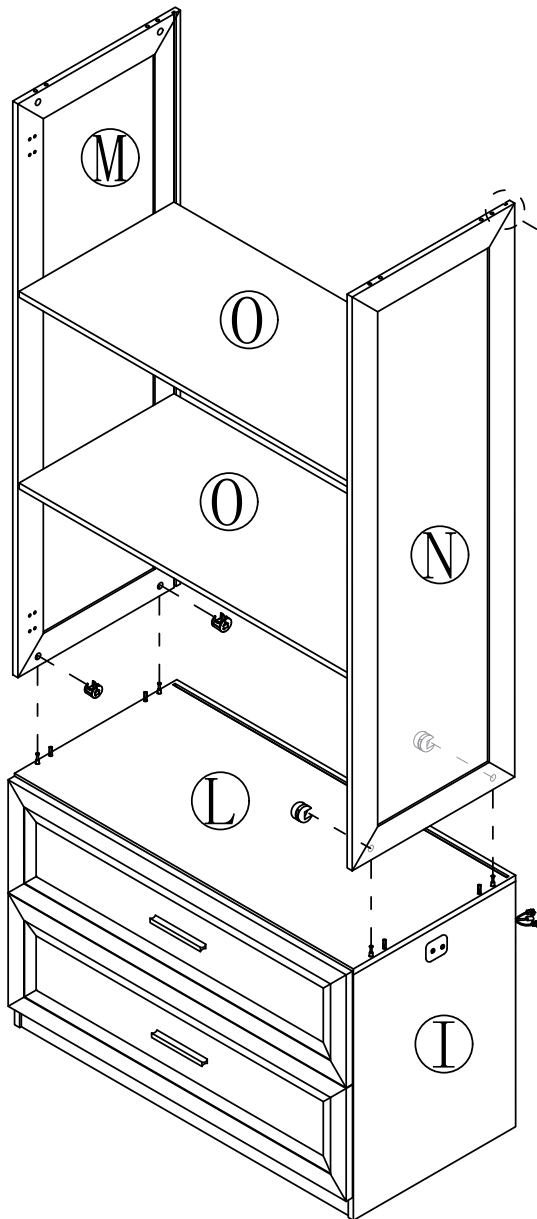
2  x4



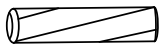
Step 31

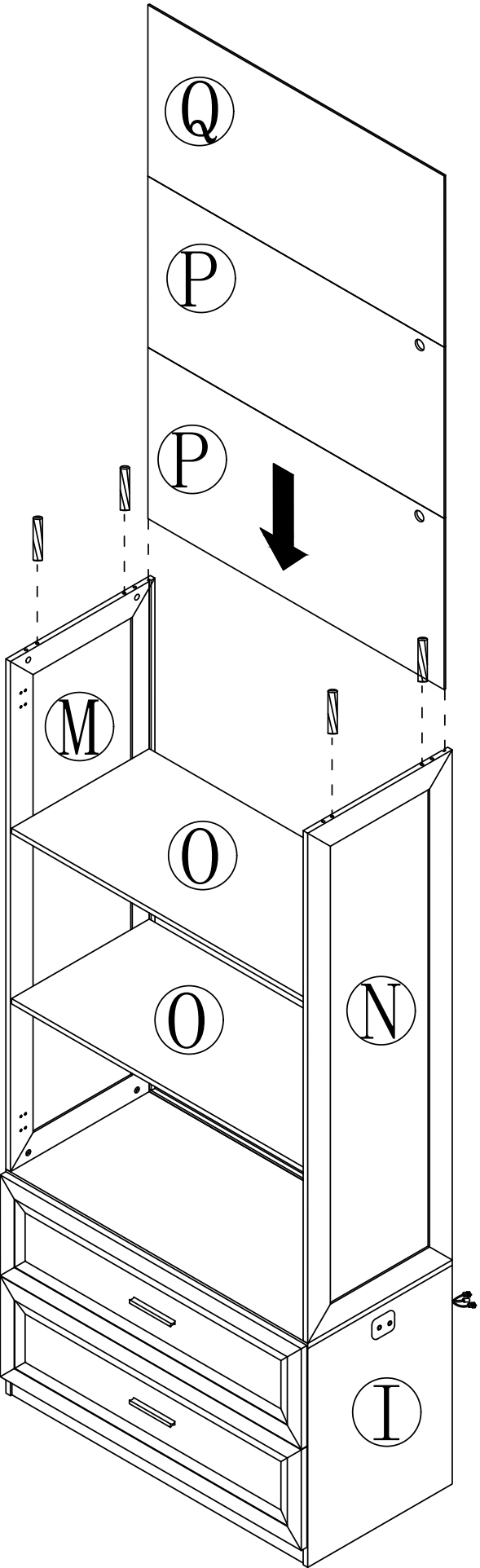


Step 32

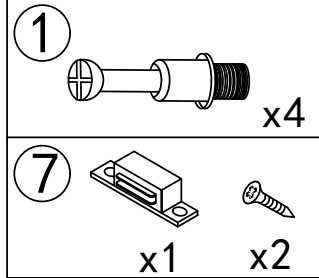
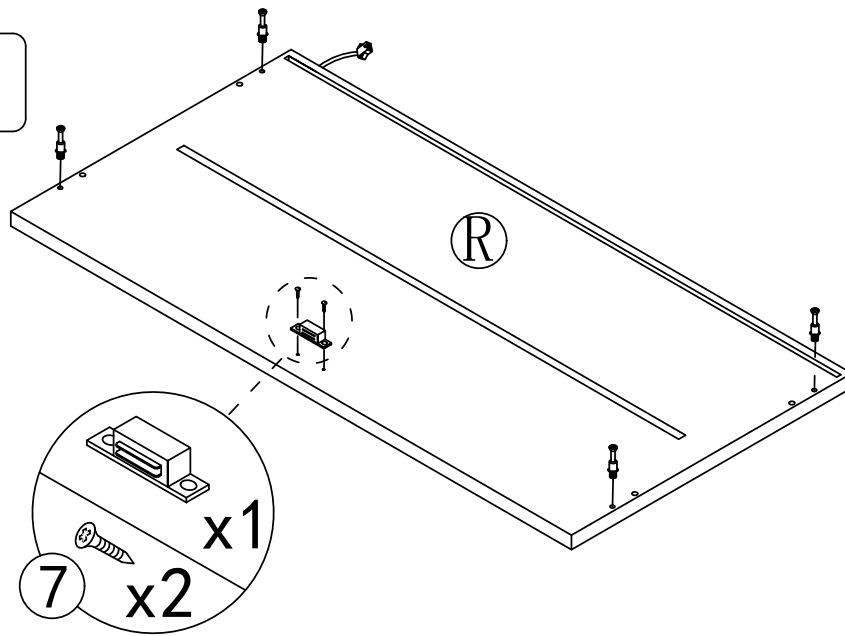


Step 33

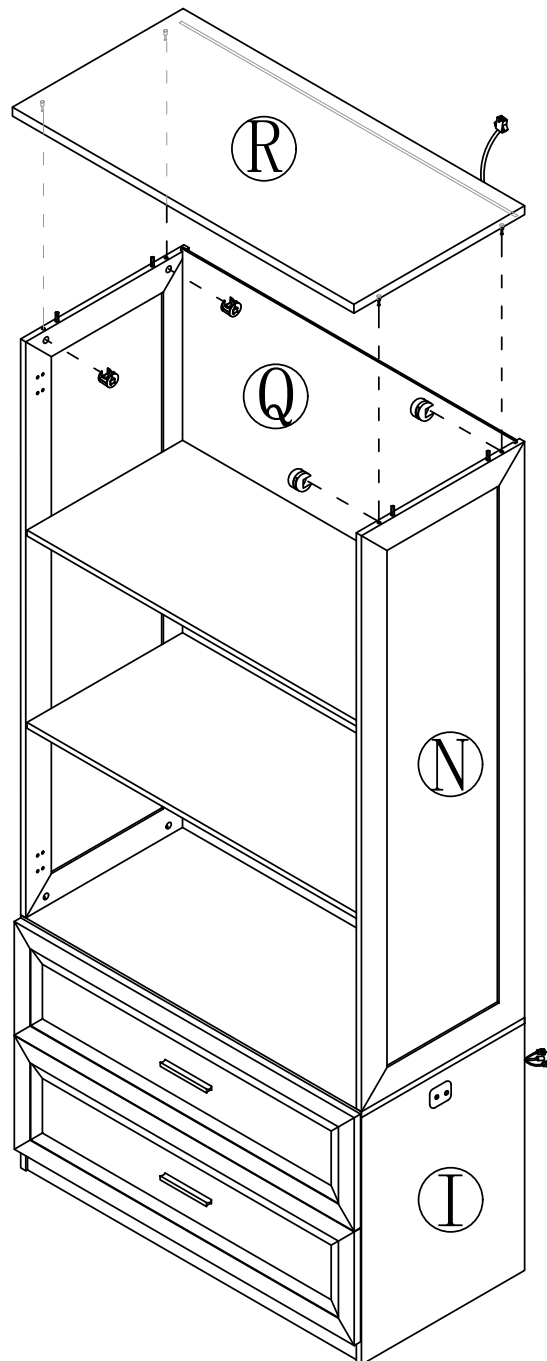
3  x4



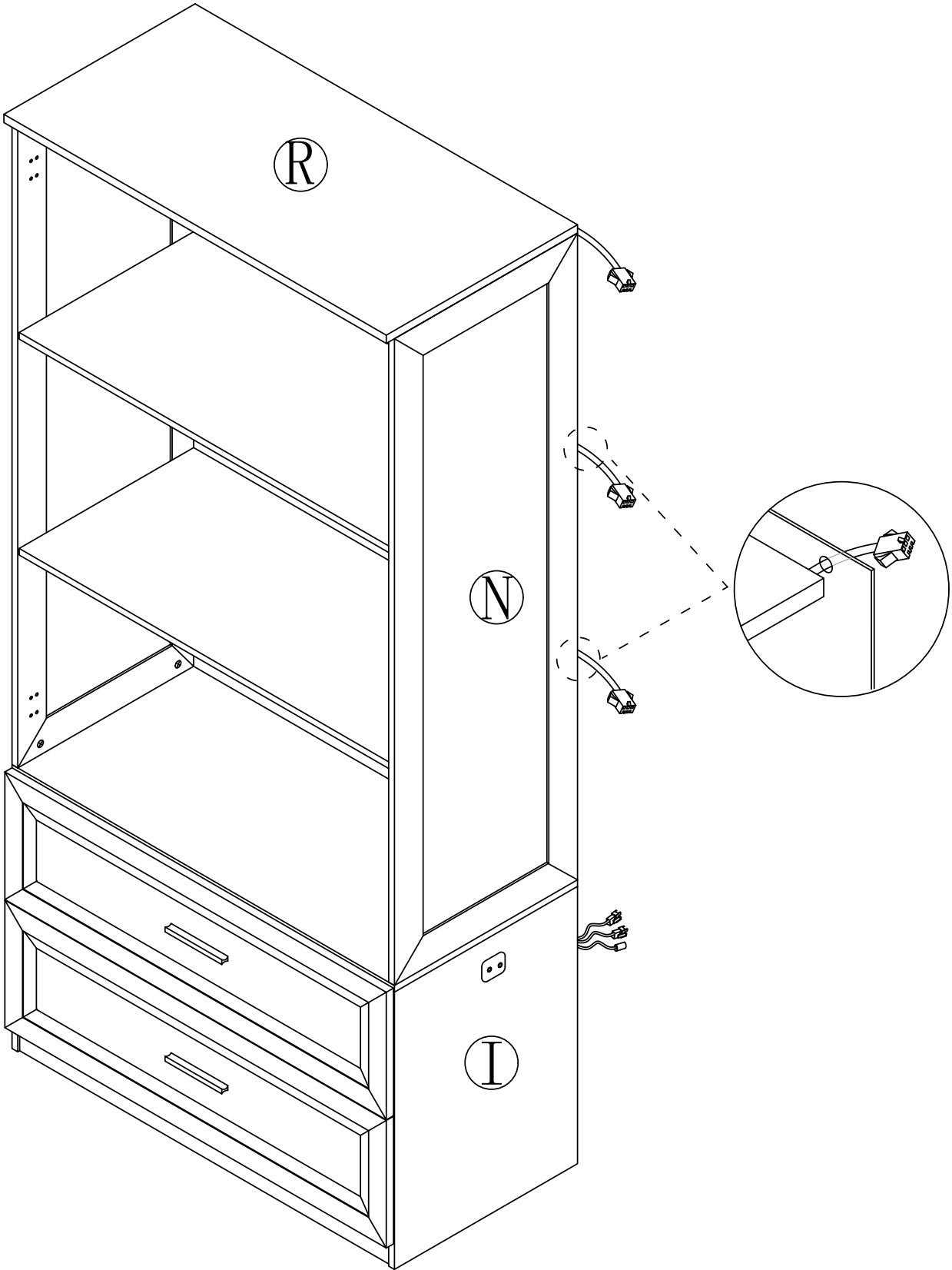
# Step 34



# Step 35

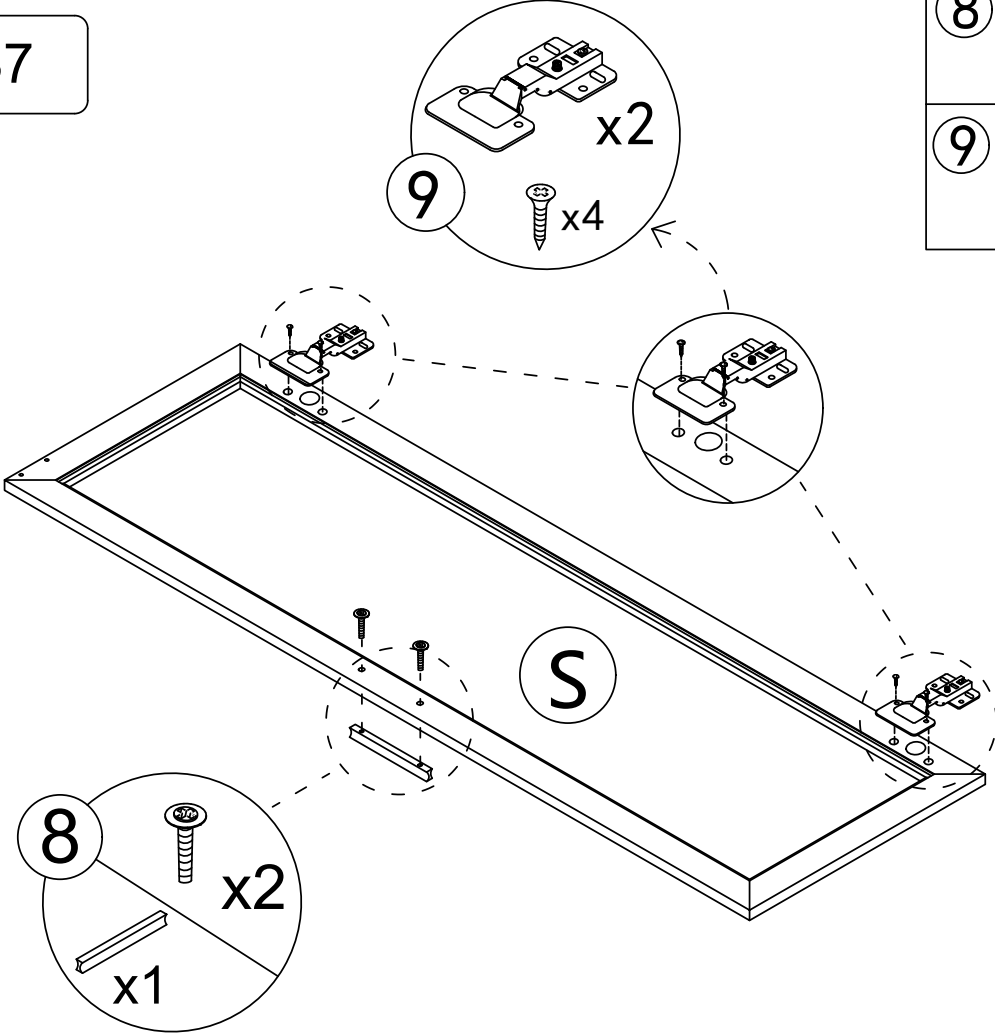


Step 36



Thread the wire head through the back panel hole

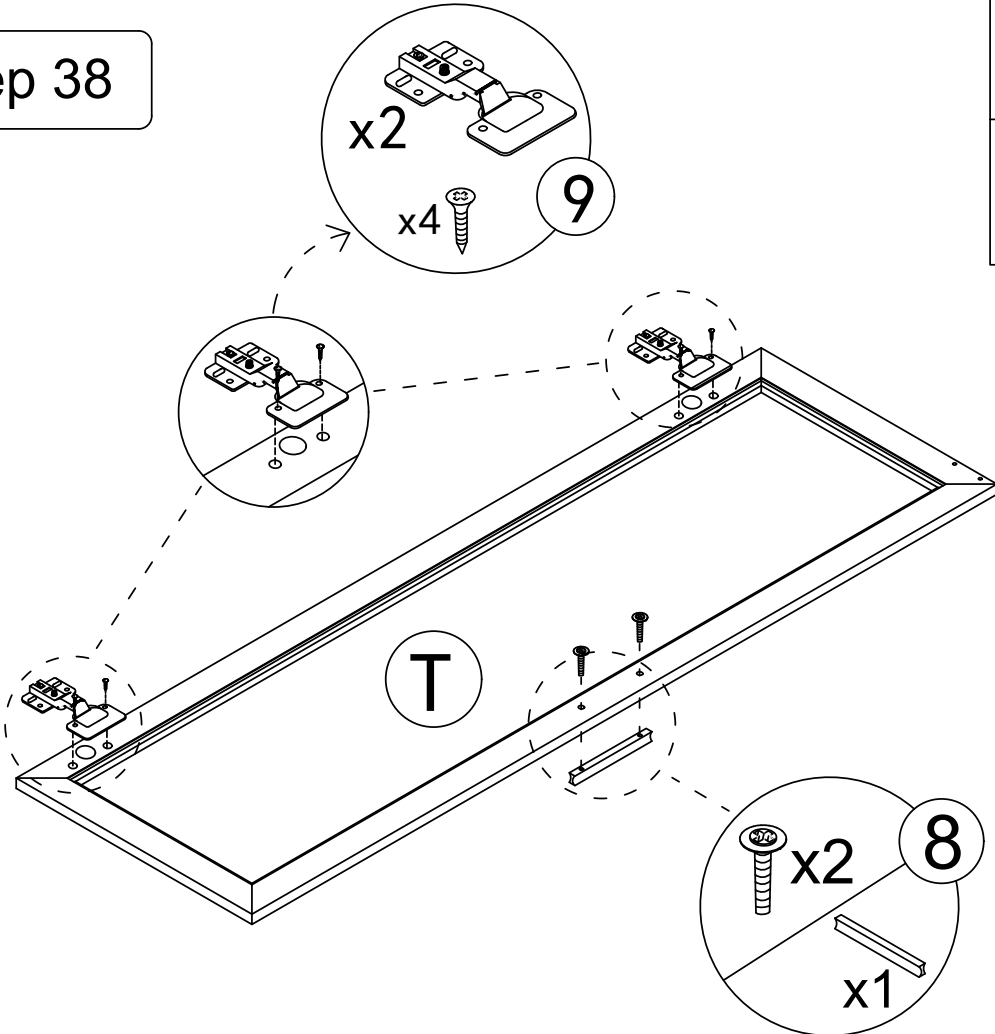
Step37



- |   |  |    |  |    |
|---|--|----|--|----|
| 8 |  | x1 |  | x2 |
| 9 |  | x2 |  | x4 |

- |   |  |    |  |    |
|---|--|----|--|----|
| 8 |  | x2 |  | x1 |
|---|--|----|--|----|

Step 38

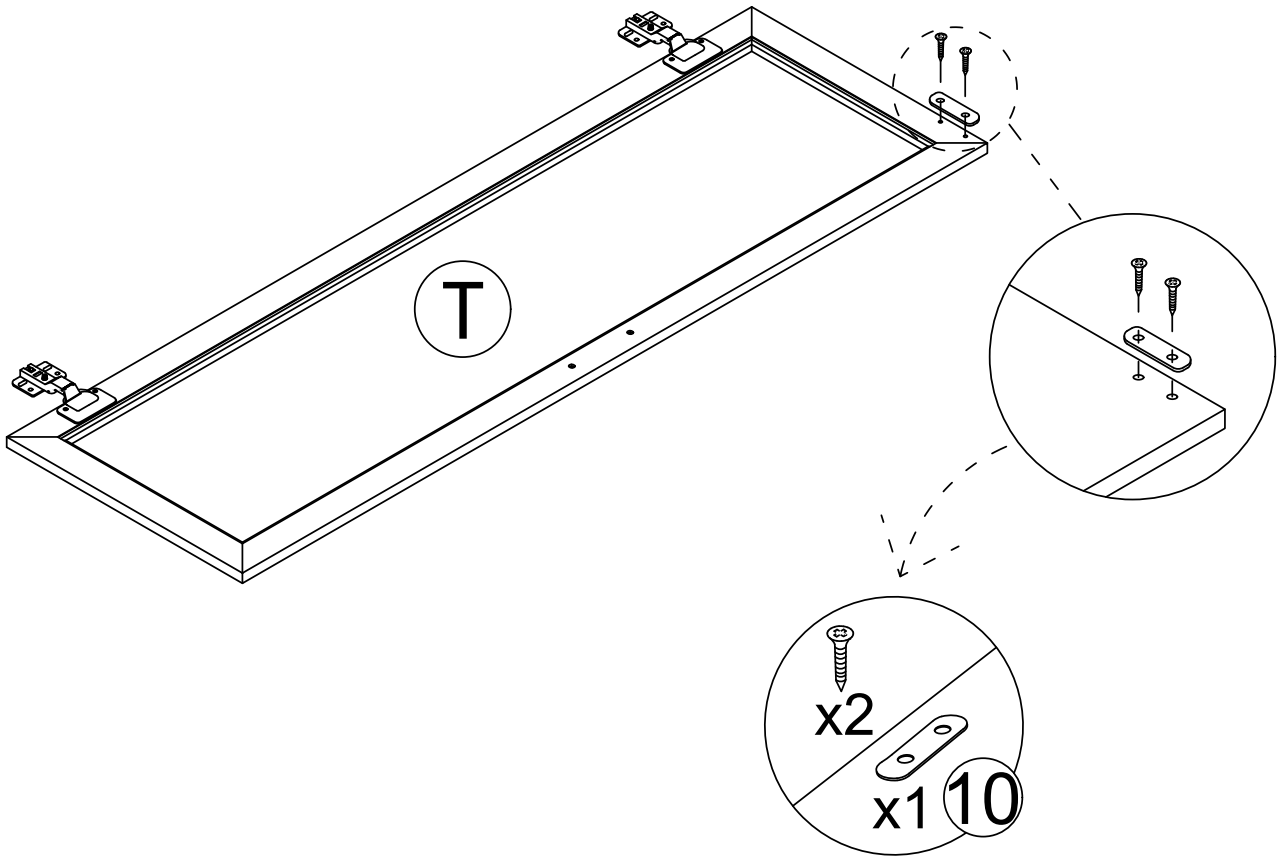


- |   |  |    |  |    |
|---|--|----|--|----|
| 8 |  | x1 |  | x2 |
| 9 |  | x2 |  | x4 |

- |   |  |    |  |    |
|---|--|----|--|----|
| 8 |  | x2 |  | x1 |
|---|--|----|--|----|

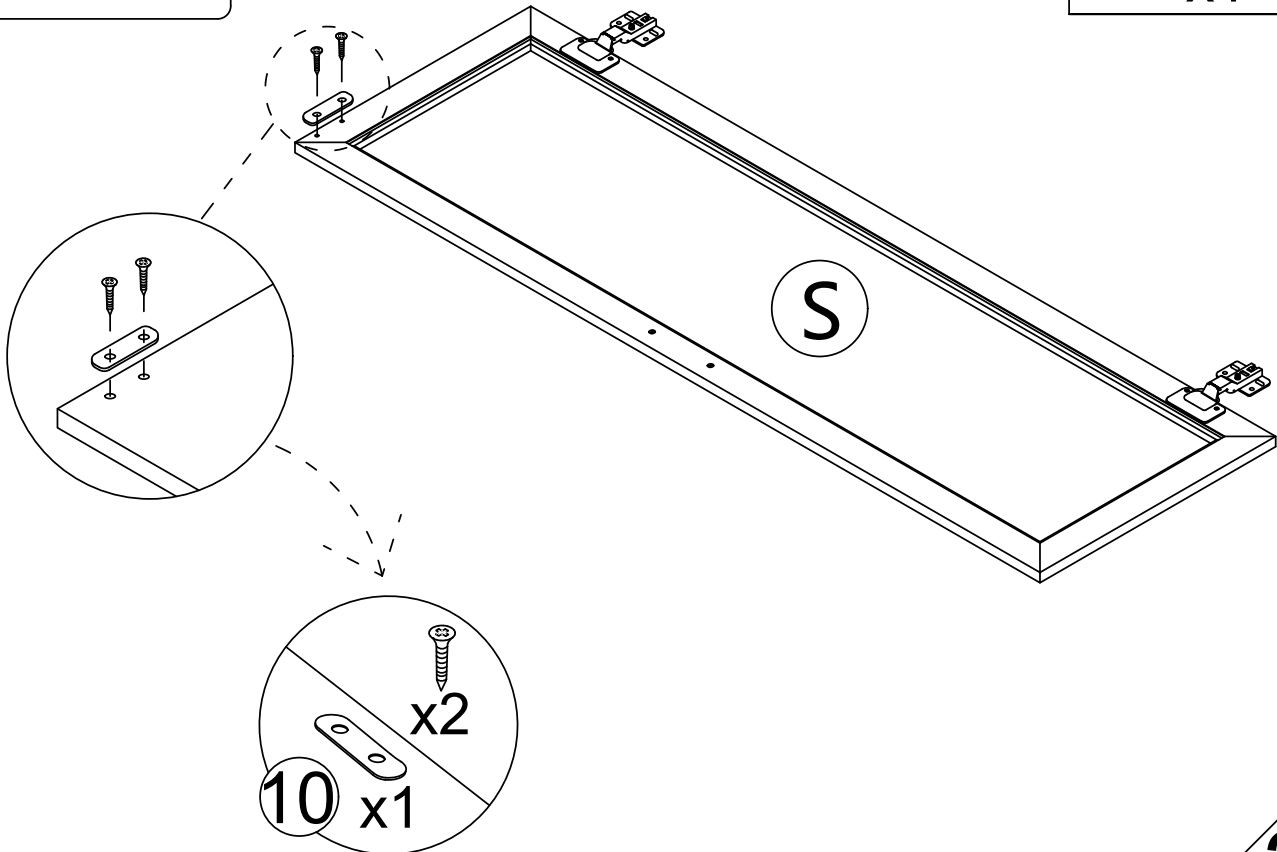
Step 39

- 10
- x1
- x2




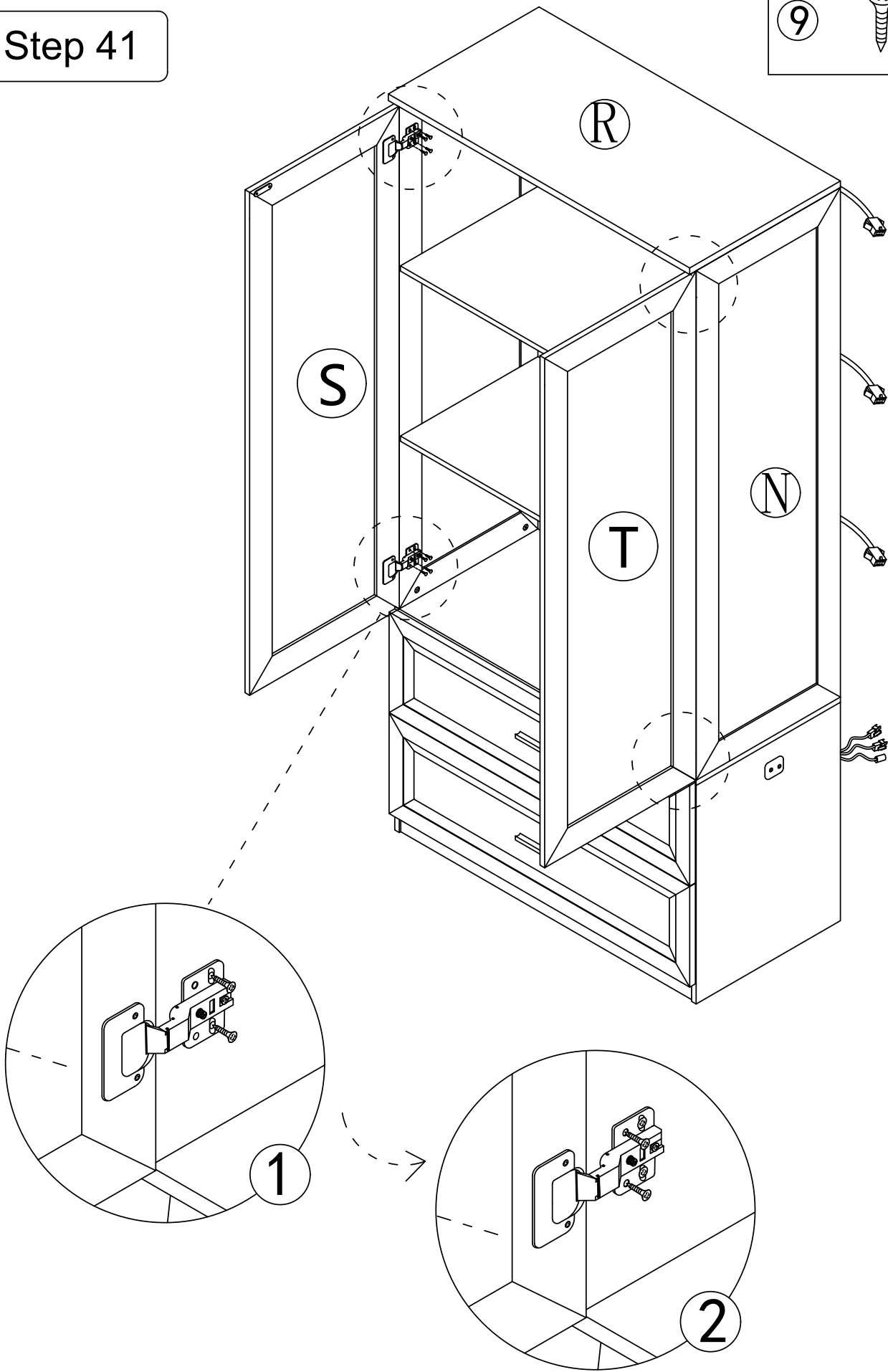
Step 40

- 10
- x1
- x2



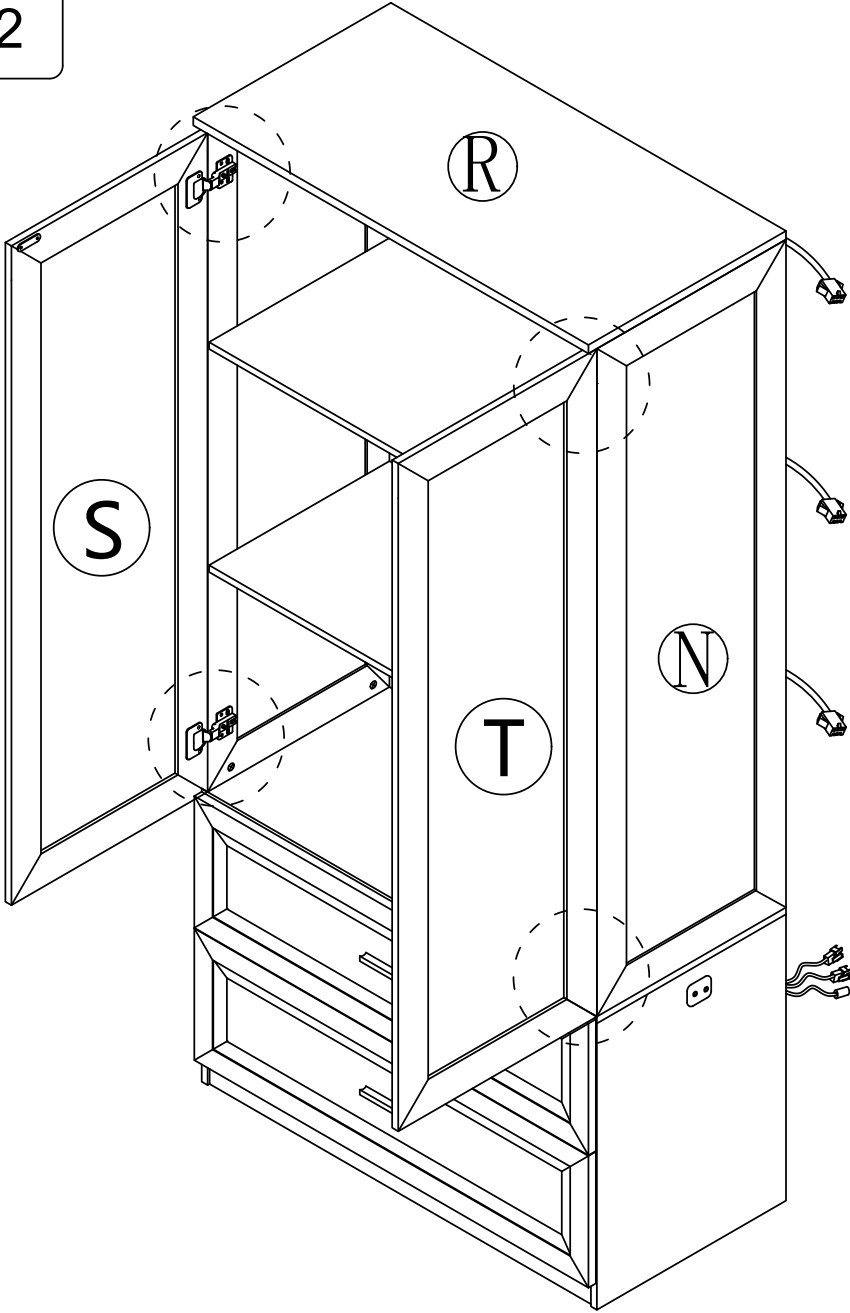
Step 41

9  x16

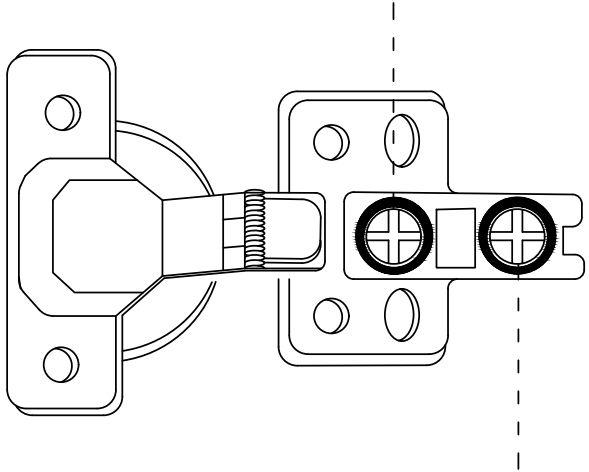


First lock the elliptical hole then lock the fixed hole

Step 42

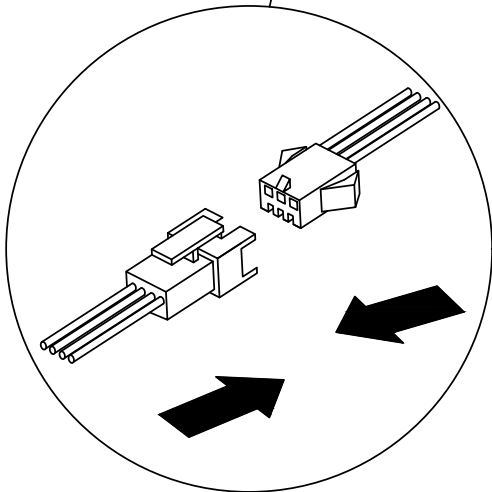
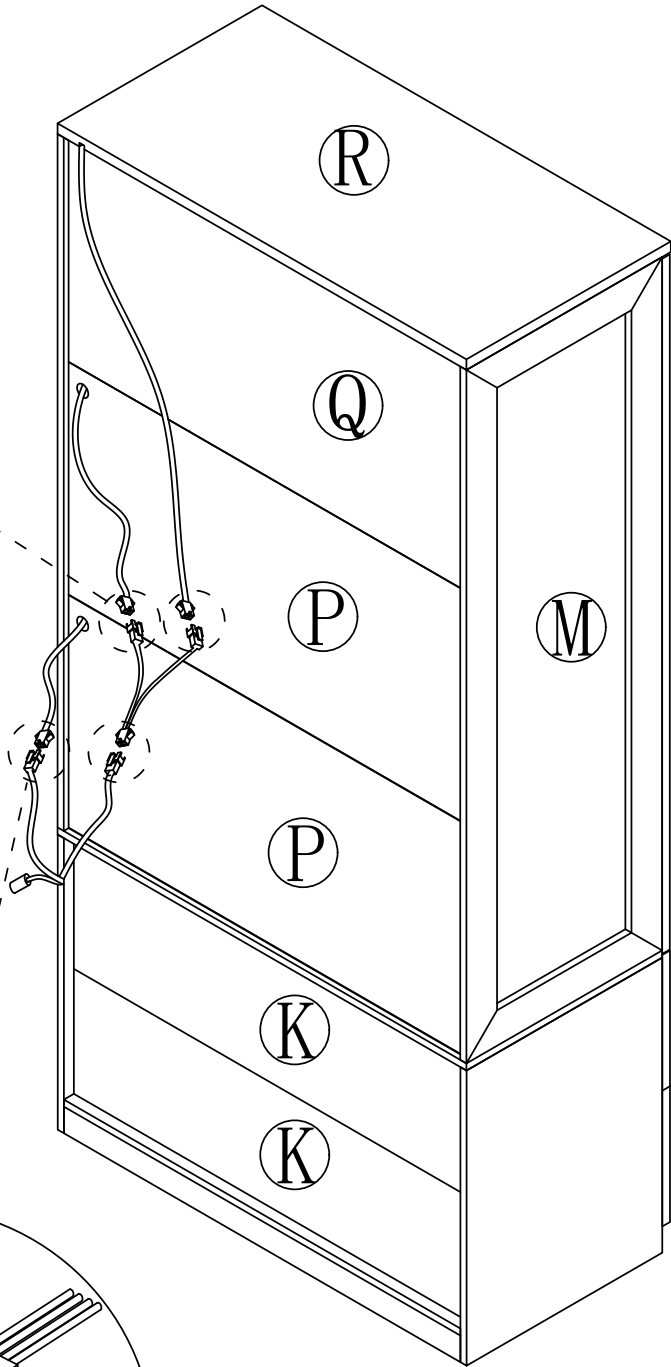
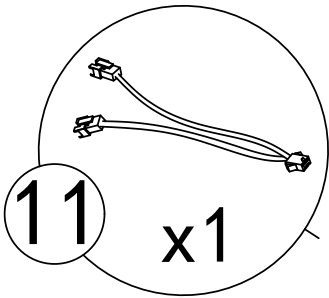
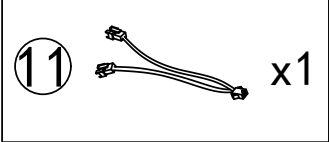


Turning this screw can effectively adjust the size of the door gap.

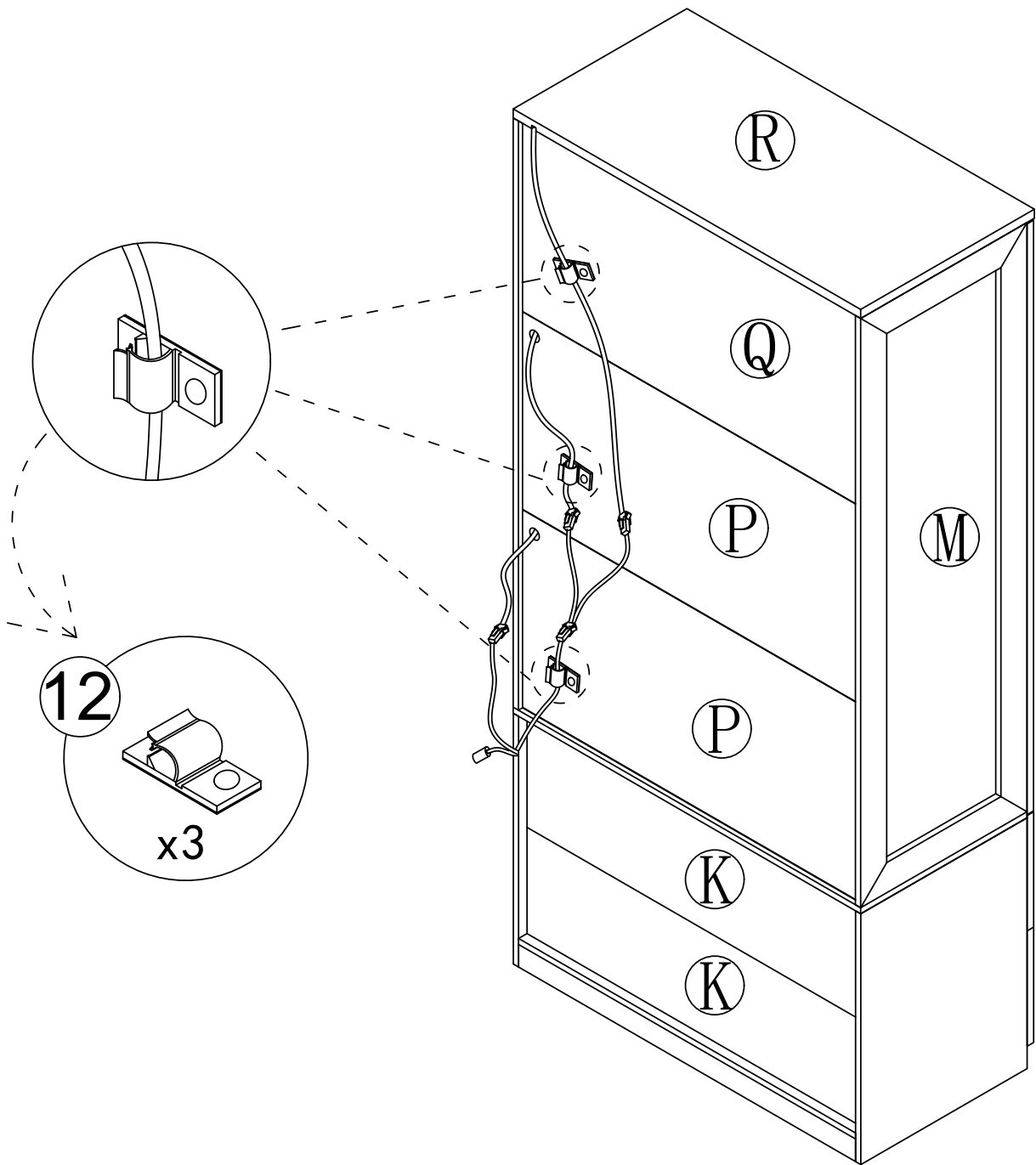
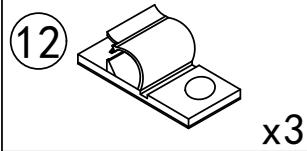


Turn this screw to adjust the door panel to be flat with the side panel.

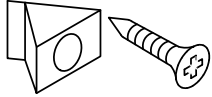
Step 43

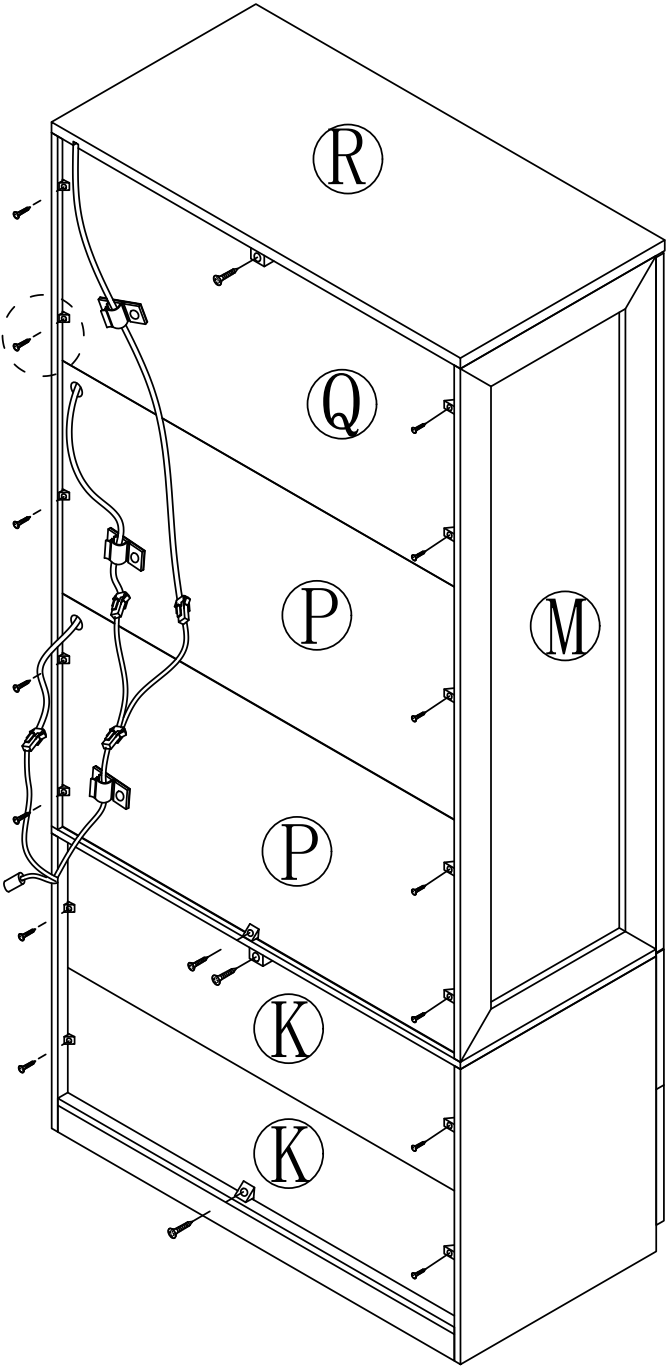
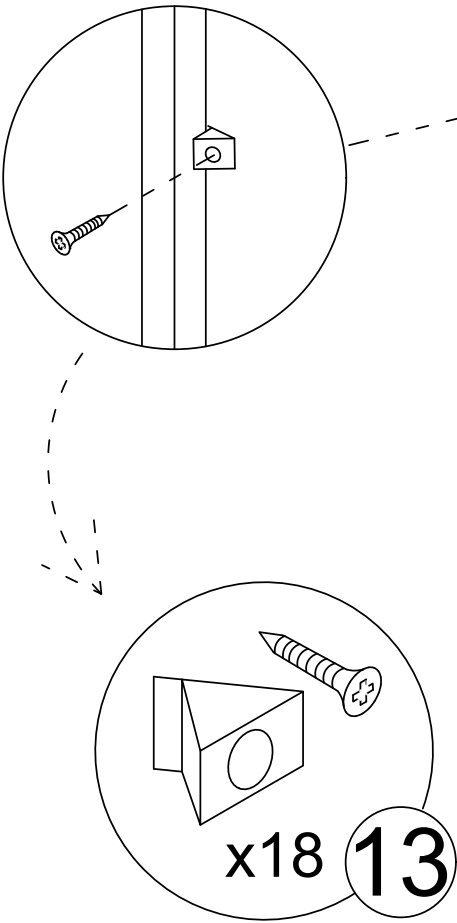


Step 44

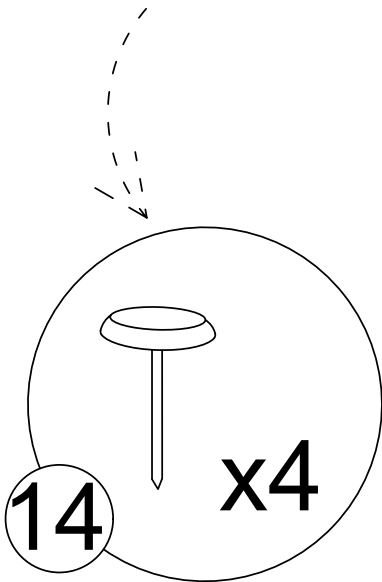
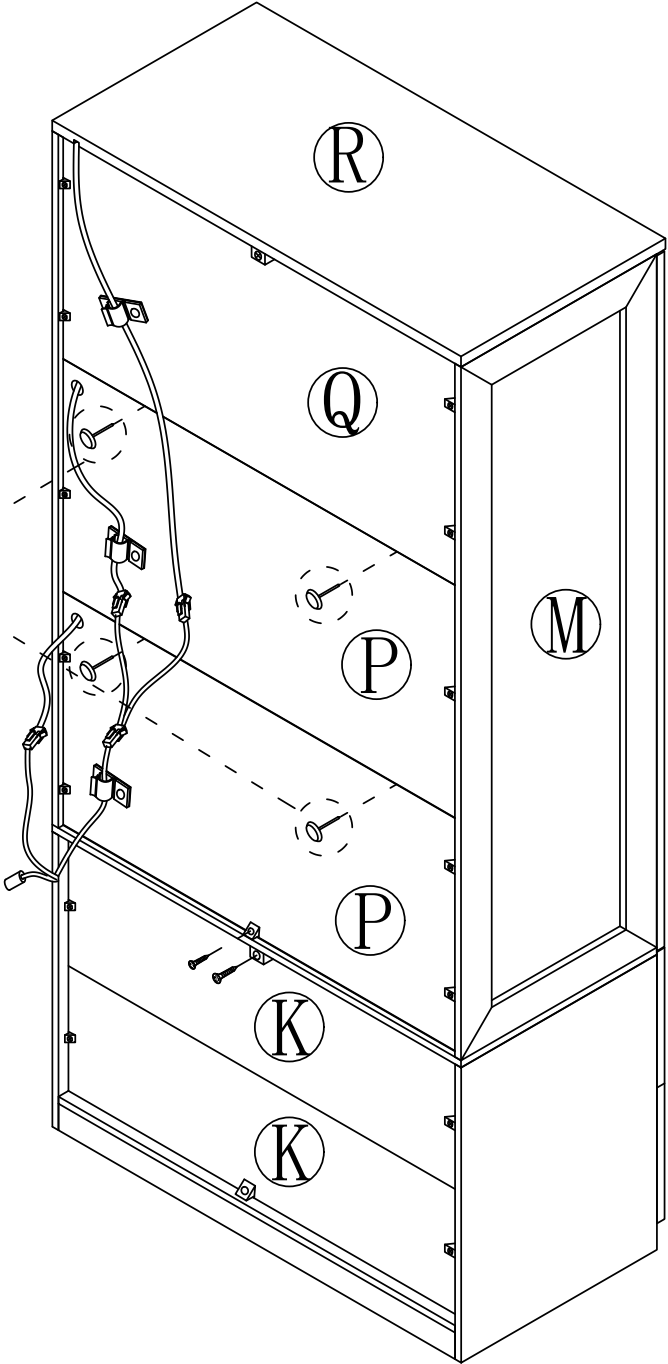
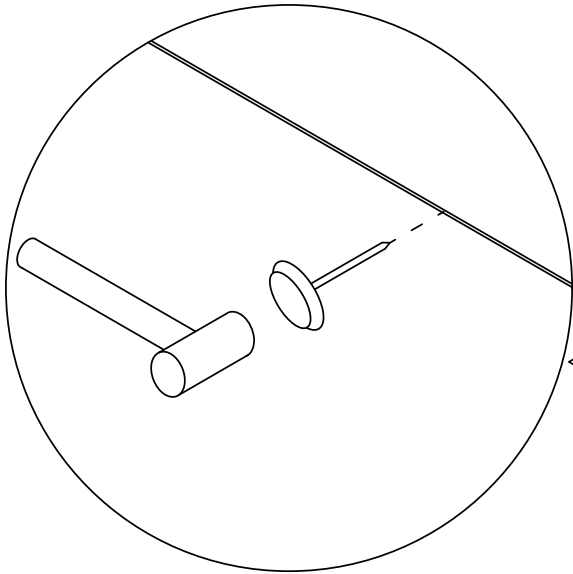
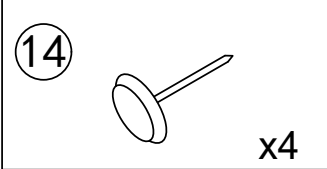


# Step 45

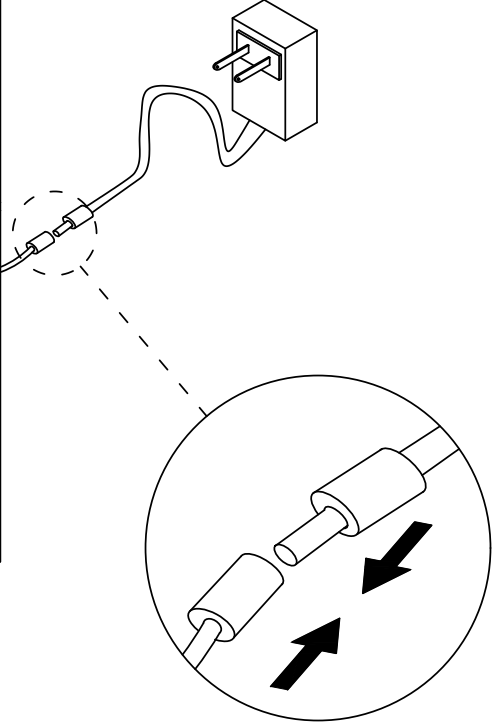
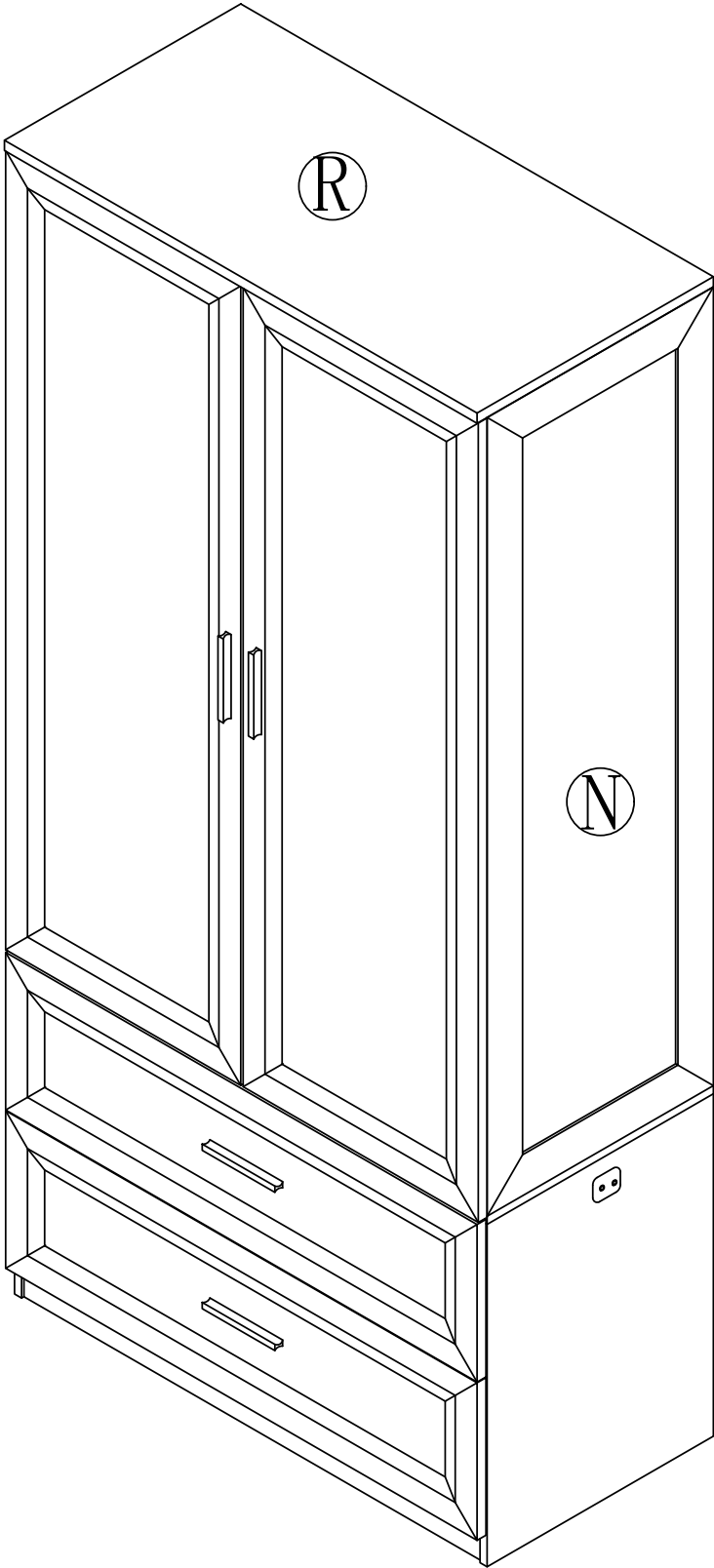
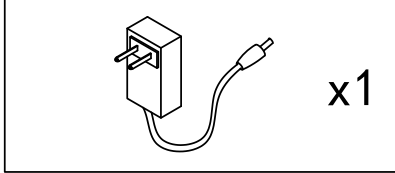
13  x18



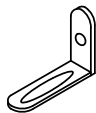


Step 46

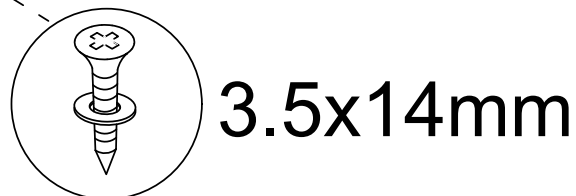
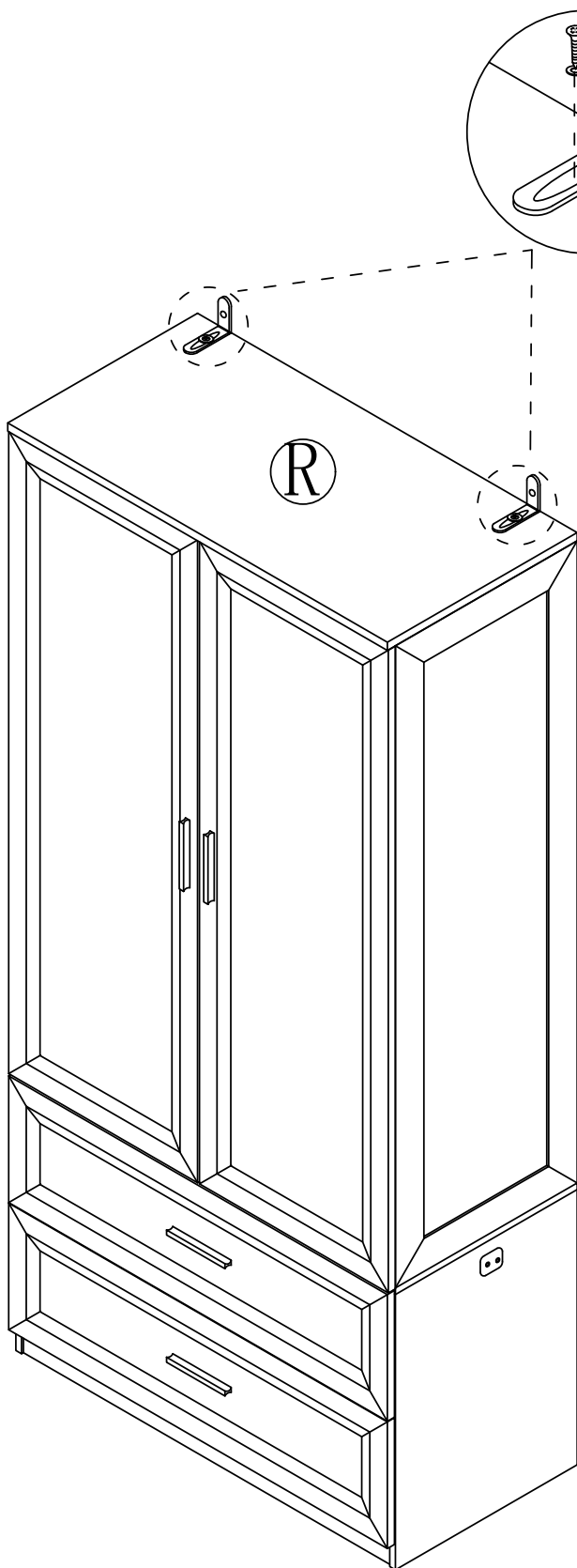


Step 47

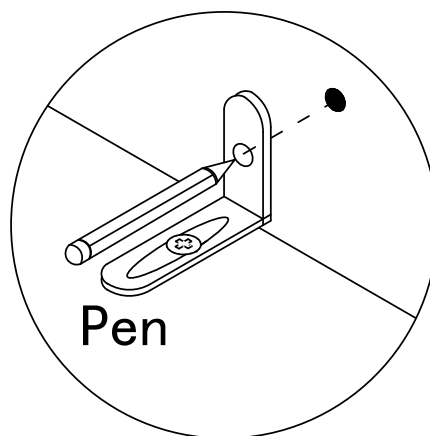


Step 48

15  x2  x2  
 x2



Install the anti fall hardware on the cabinet as shown in the picture first

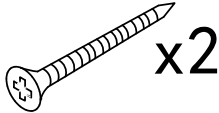


Then mark the wall with a pen through the holes in the anti-fall hardware

# Step 49

15

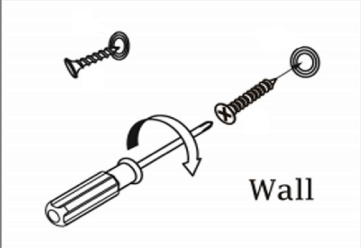
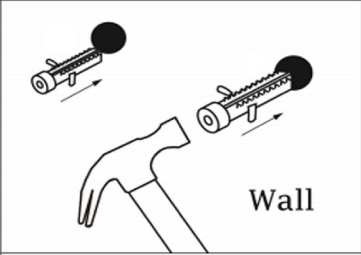
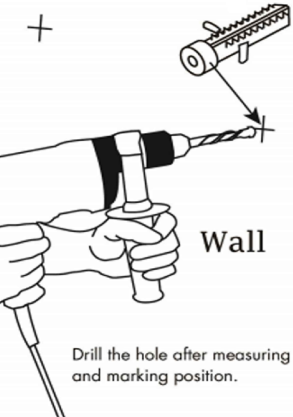
x2



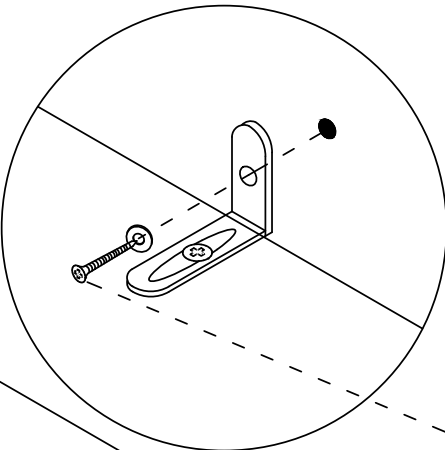
x2

x2

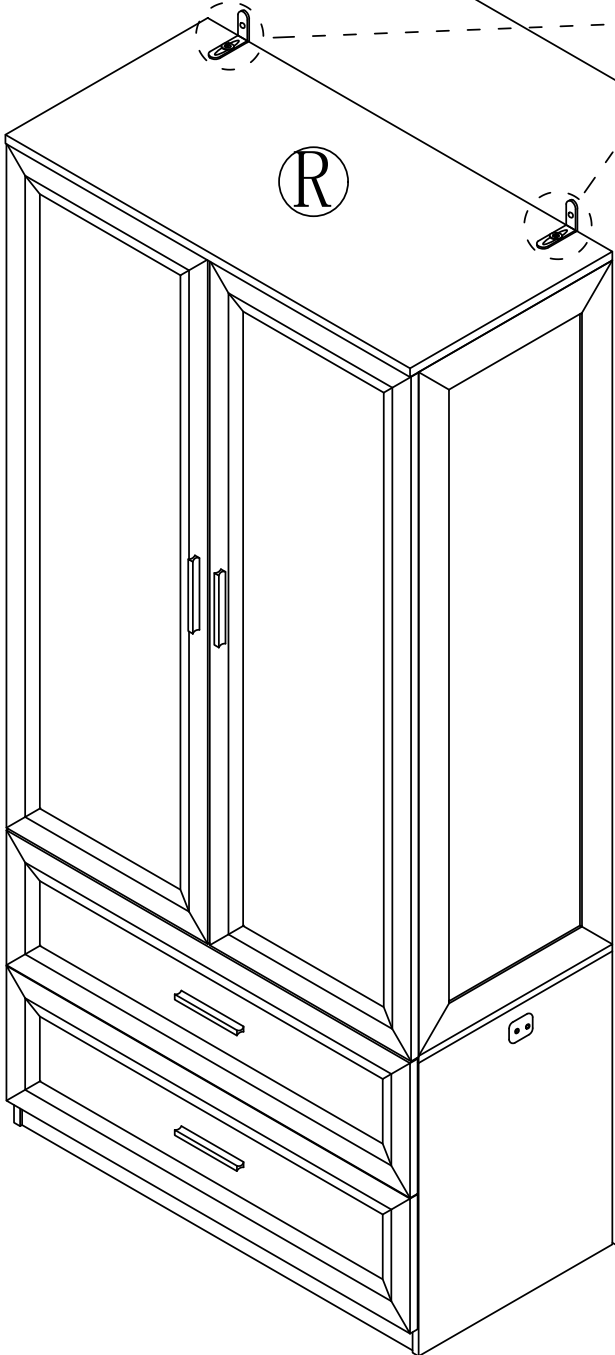
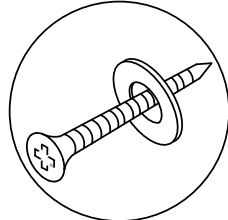
## Wall Mount



Drill the hole with an electric drill and punch in the colloidal particles



4x45mm



wall

Fasten the cabinet to the wall

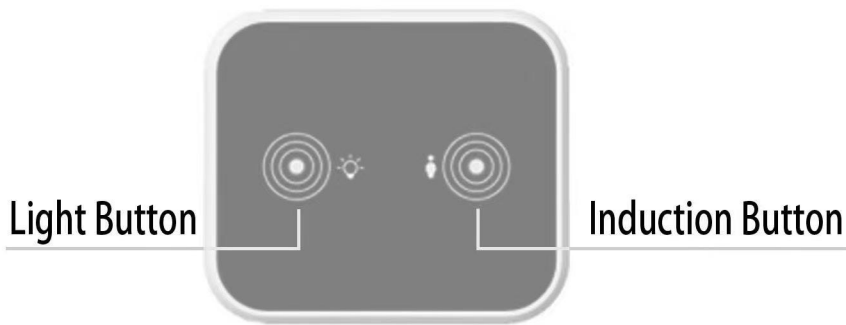
# User's Guide

Thank you for purchasing this product. To use this product, please plug it into a 12V DC power supply. Please use if the product works normally after connecting to power.

## Introduction

The box is an intelligent controller with 2 touch buttons. It can turn ON/OFF the light, change light colors, and adjust the light luminance.

## Product Show



### ATTENTION PLEASE

1. If there is no touch response suddenly, Re-plug the power to reset the touch static electricity.
2. If bubbles appear on the panel, remove the protective film.

## Operation



This touch button is used to turn on/off, change colors, and adjust brightness.

- A. Short touch -> lighting on -> short touch -> change light color -> short touch -> change light color -> short touch -> lighting off. B. Long touch -> adjust the luminance



This touch button is used to turn on/off the induction function.

- A. Short touch to turn on the induction function. It can auto-turn on the light when people are close to the controller in 1 meters. It can auto power off the light when the body is far away from the controller after 30 seconds.
- B. Long touch to turn off the induction function.
- C. Note: When you touch the light button to change the light modes, the induction function will automatically turn off. It is best to turn on this function after selecting the light color and adjusting the brightness you want.