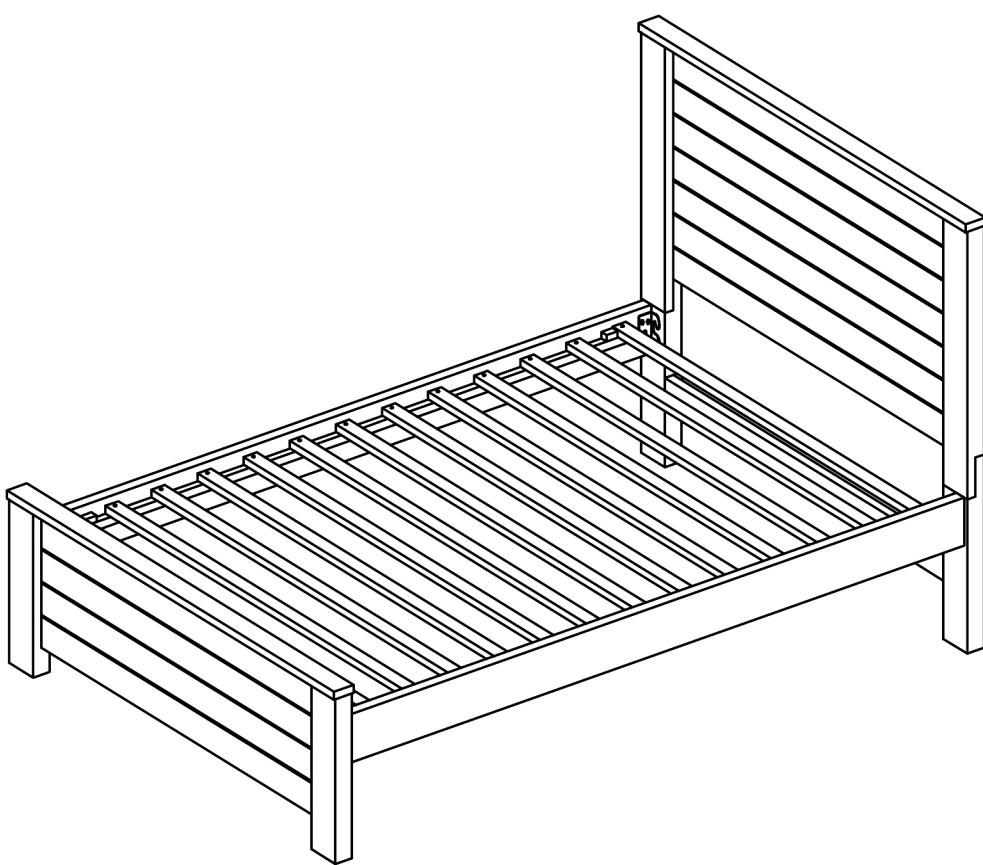
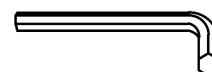


# ASSEMBLY INSTRUCTIONS



## TOOLS REQUIRED



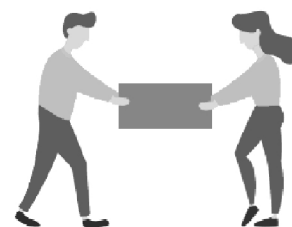
**Allen Wrench**

(Included)



**Phillips  
Screwdriver**

(Not Included)



**2 - People  
Recommended**

## ASSEMBLY RATING



EASY —————> DIFFICULT

The Assembly Rating is a 5-point system showing the level of effort needed to assemble a specific product.



## **CHECK BEFORE STARTING**

### **Are you missing anything?**

Double-check all parts, hardware and accessories listed are all accounted for.

### **Should we send any replacements?**

Are there any irregularities or flaws in the parts? We can send replacements!

### **Check out our Quick Tips!**

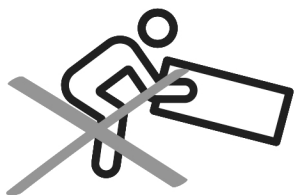
We recommend reviewing the pre-assembly handouts. Even experts need a refresher now and then!

### **Prep Time!**

Please review the assembly instructions and all diagrams prior to assembling.

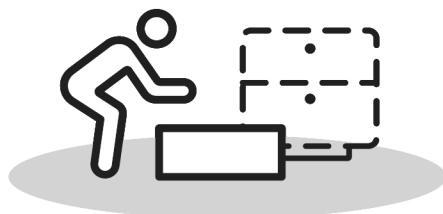
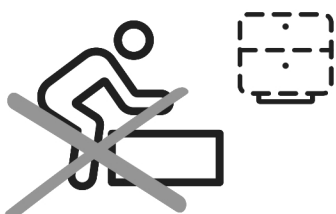
# PRE ASSEMBLY INTRODUCTION

We understand building ready-to-assemble furniture can be a challenging experience for some. To help avoid confusion, we have provided some helpful tips that may speed up the process.



## Teamwork

ALWAYS have at least two people to help with transporting and assembling the product to avoid potential injury and/or damage.



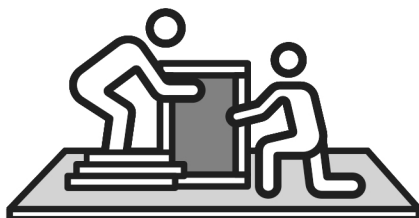
## Suitable Location

Assembling near the area of the intended location is highly recommended.



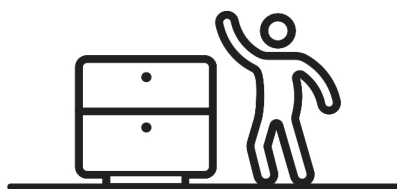
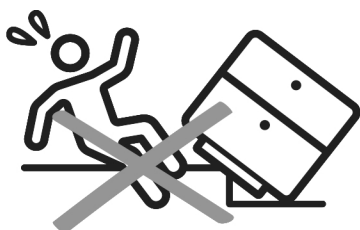
## Sufficient Space

Make sure you have enough space to move around during the assembly.



## Avoid Scratches

Use cardboard, blankets or a carpeted area while assembling furniture to prevent to prevent scratches and damages.



## Flat Surface

Make sure the furniture rests on a flat and level surface with each leg evenly touching the floor.

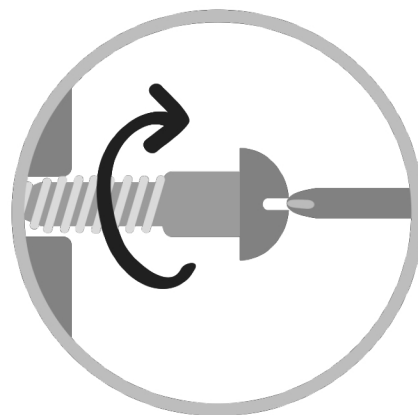
# ASSEMBLY AND CARE ADVICE



**FAILURE TO FOLLOW THE GUIDELINES BELOW MAY RESULT IN INJURY AND/OR PROPERTY DAMAGE.**



Position each part correctly and insert screws or bolts into their respective holes.



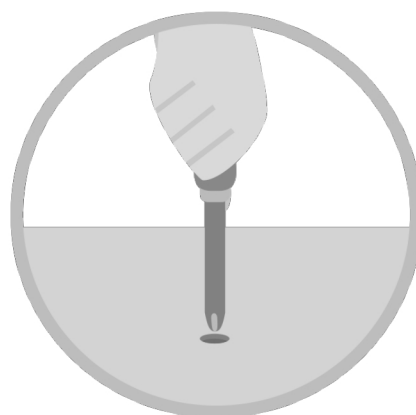
Turn clockwise to tighten and only tighten when step is completed or when instructed to do so.



Use the appropriate hand tools or power tools for assembly. Select steps, such as tightening screws and/or bolts, may require hand tools to avoid causing damage during assembly.



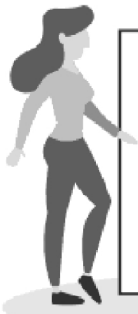
Save the instructions and store any supplied tools for later maintenance.



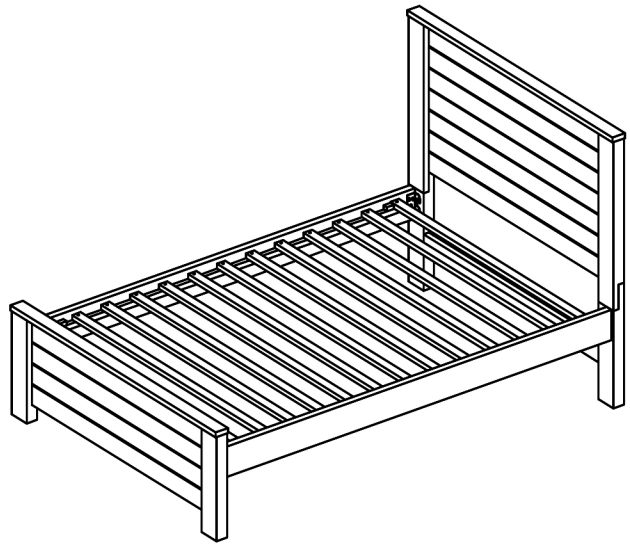
After two weeks, check and tighten any loose hardware and repeat again every six months thereafter.

**IT IS THE USER'S RESPONSIBILITY TO MAINTAIN THE FURNITURE. THE HARDWARE MAY LOOSEN OVER TIME AND MAY CAUSE THE FURNITURE TO BE WOBBLY AND UNABLE TO SUPPORT ITS INTENDED WEIGHT CAPACITY. THIS MAY LEAD TO COLLAPSE AND MAY CAUSE SERIOUS INJURY.**

# BED



- Please keep instructions for future reference.
- Check the quantity and irregularity of parts and hardware before you start.



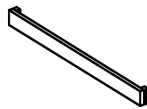
## PARTS

#1 2pcs



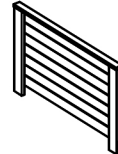
HB Leg (L/R)

#2 1pc



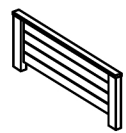
HB Support Rail

#3 1pc



Headboard

#4 1pc



Footboard

#5 2pcs



Side Rail

#6 1set



Slat

## HARDWARE

#A 10pcs



Bolt  
Ø5/16" x 1-3/8"

#B 8pcs



Bolt  
Ø5/16" x 5/8"

#C 10pcs



Lock washer  
Ø5/16"

#D 10pcs



Flat Washer  
Ø5/16" x 19mm

#E 26pcs



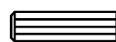
Screw  
#4 x 30mm

#F 1pc



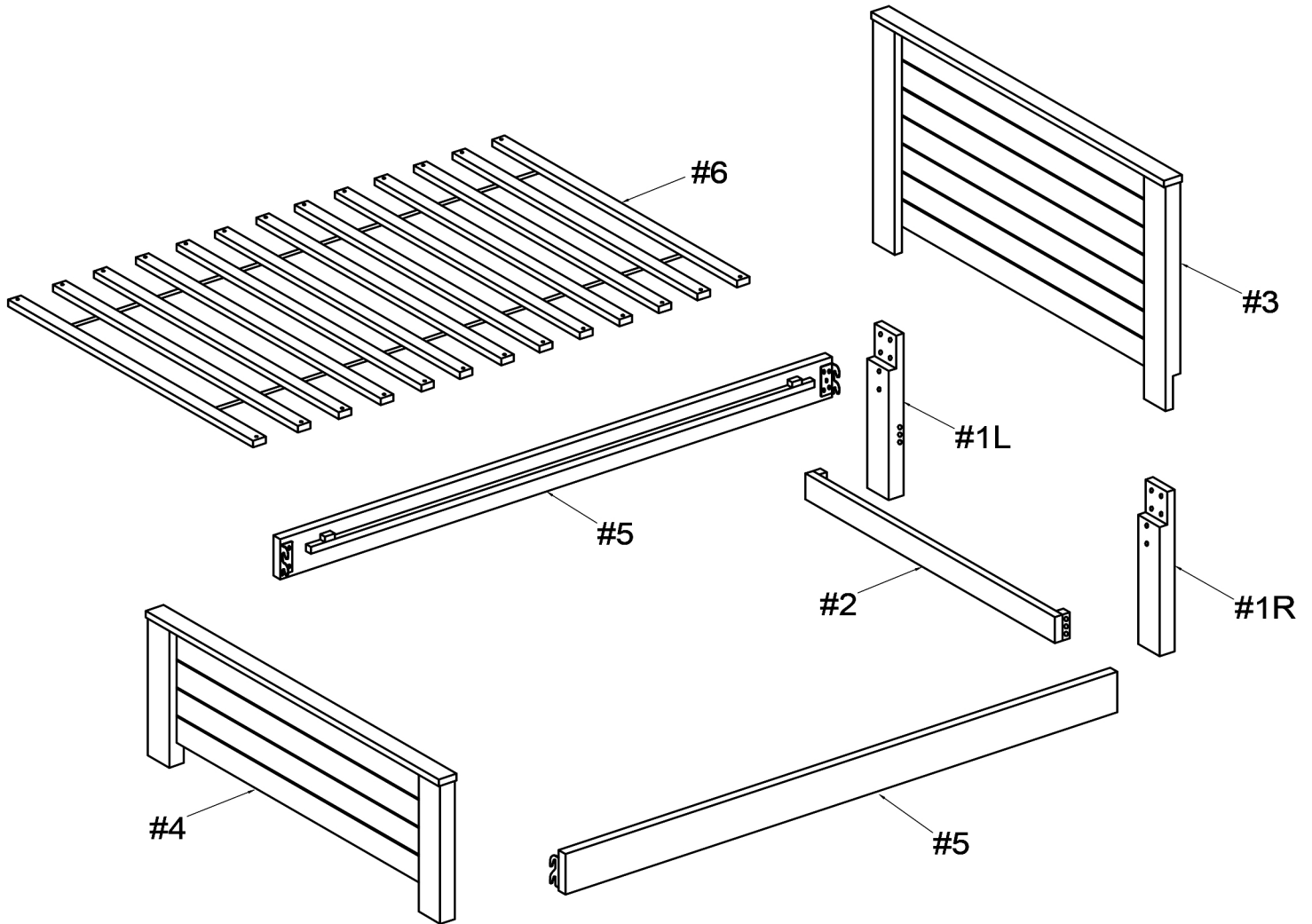
Allen Key 4mm

#G 4pcs

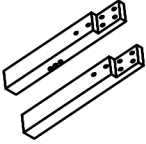






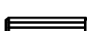

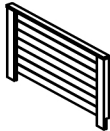
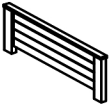




Wood Dowel  
Ø8 x 30mm

# Exploded View



# packed in 2 cases

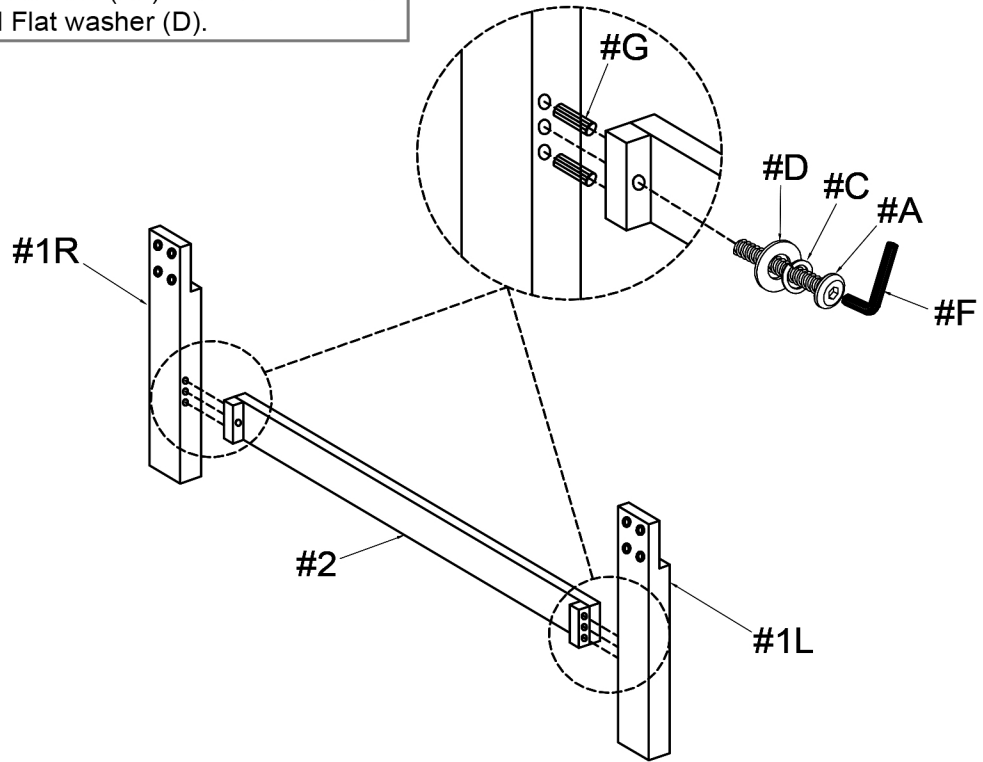
Carton	Disignation		Part	Hardware
	HB Leg (L/R) (2pcs)	#1		<ul style="list-style-type: none"> <li> #A x 10pcs</li> <li> #B x 8pcs</li> <li> #C x 10pcs</li> <li> #D x 10pcs</li> <li> #E x 26pcs</li> <li> #F x 1pc</li> <li> #G x 4pcs</li> </ul>
	HB Support Rail	#2		
	Headboard	#3		
	Footboard	#4		
	Bed slat(1set)	#6		
	Side Rail(2pcs)	#5		

# ASSEMBLY INSTRUCTIONS

## 1

Use Dowels (#G) to align the HB Support rail (#2) to the L/R HB LEG (#1). Secure by using the Bolt (#A) with Lock washer (#C) and Flat washer (D).

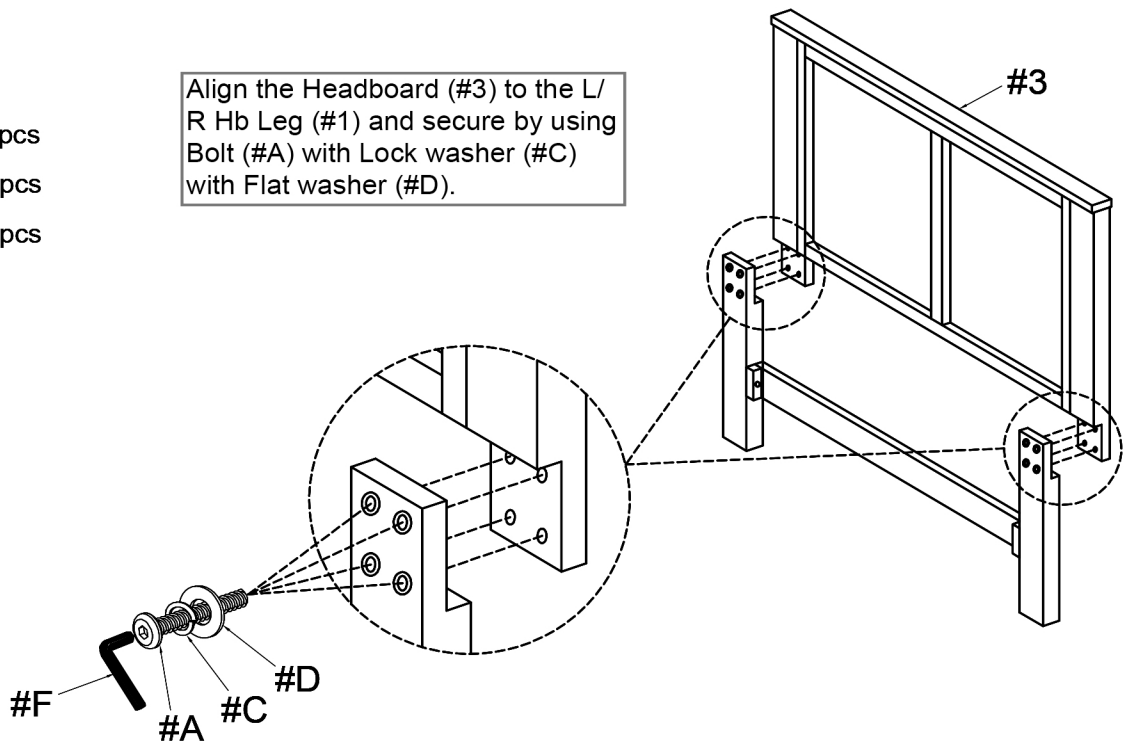
- Part #1 x2pcs
- Part #2 x1pc
- Hardware #A x2pcs
- Hardware #C x2pcs
- Hardware #D x2pcs
- Hardware #G x4pcs



## 2

- Part #3 x1pc
- Hardware #A x8pcs
- Hardware #C x8pcs
- Hardware #D x8pcs

Align the Headboard (#3) to the L/R Hb Leg (#1) and secure by using Bolt (#A) with Lock washer (#C) with Flat washer (#D).

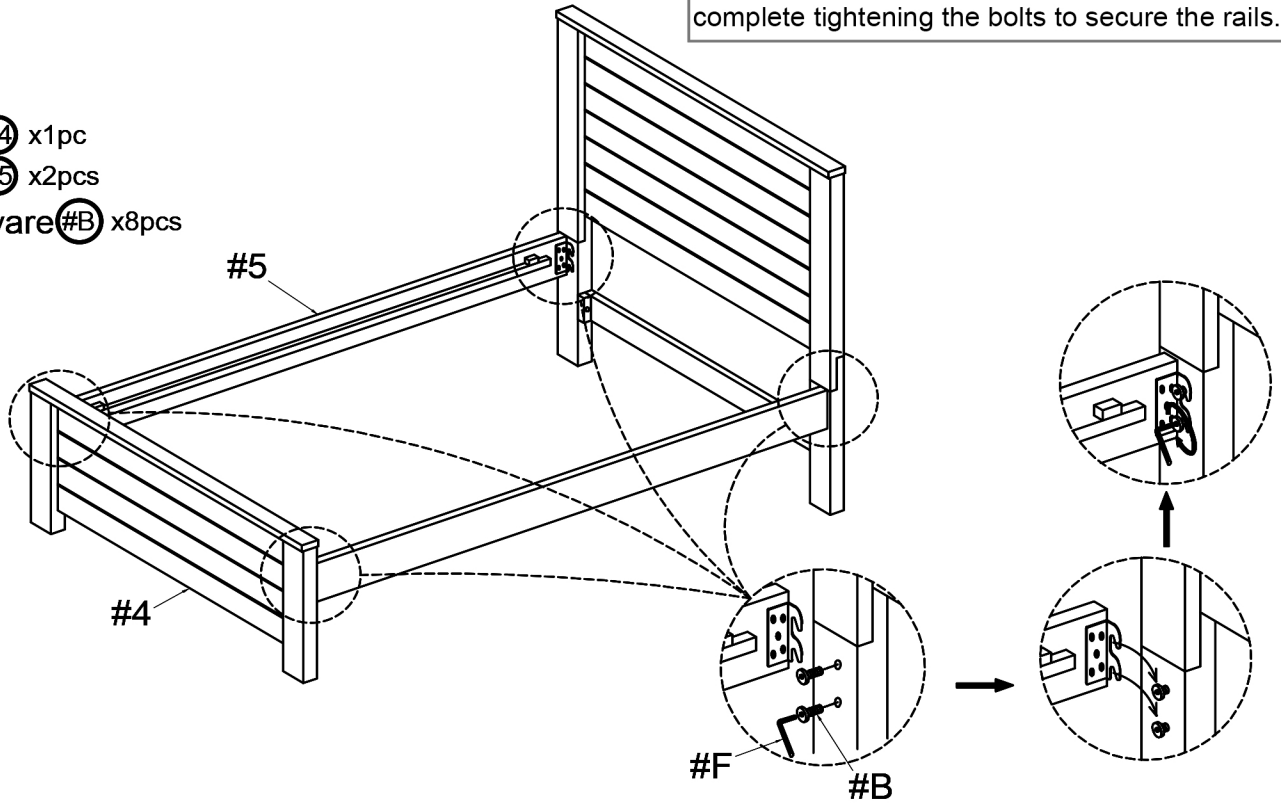


# ASSEMBLY INSTRUCTIONS

Screw part of the Bolt (#B) to the HB legs (#1) and the Footboard (#4). Hook the side rails (#5) then complete tightening the bolts to secure the rails.

## 3

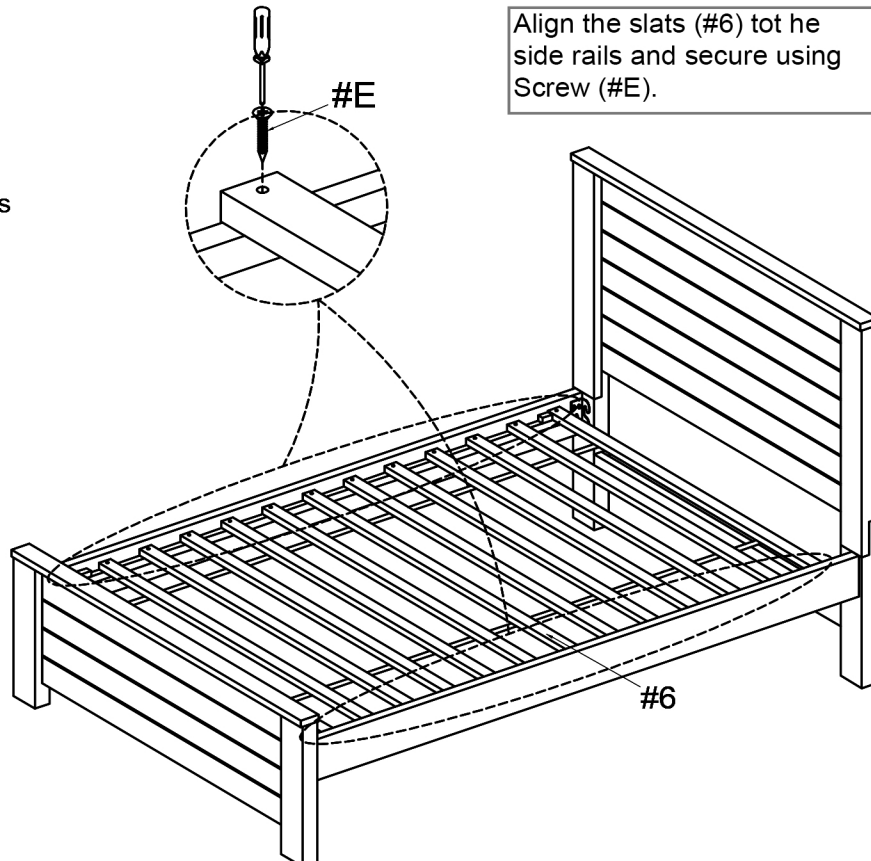
- Part #4 x1pc
- Part #5 x2pcs
- Hardware #B x8pcs



## 4

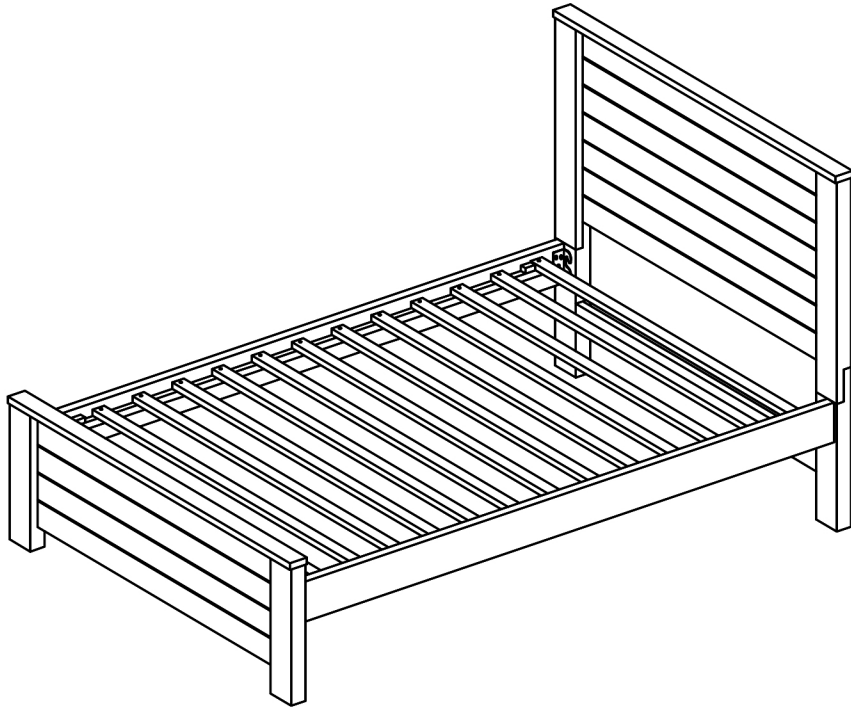
- Part #6 x1set
- Hardware #E x26pcs

Align the slats (#6) to the side rails and secure using Screw (#E).

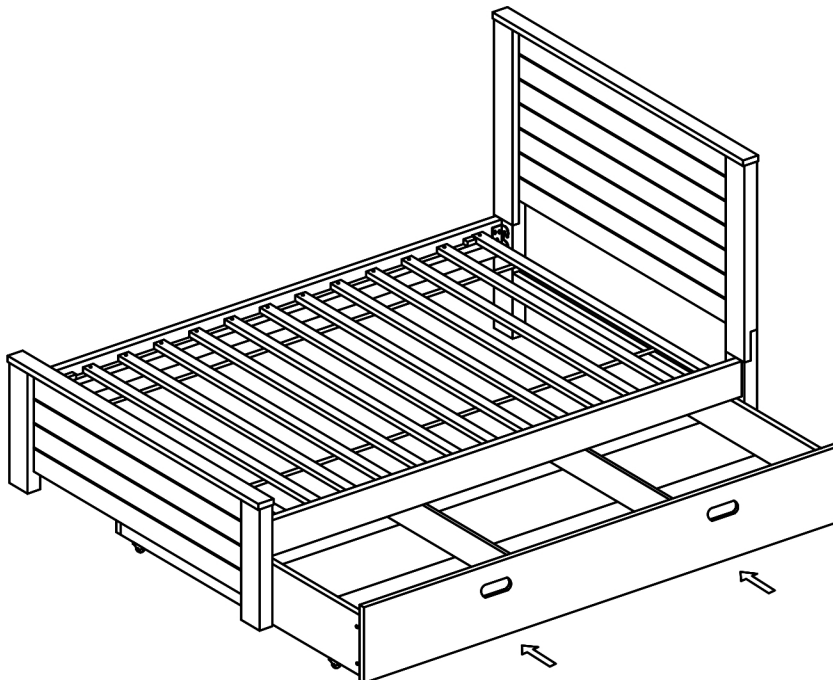


# ASSEMBLY INSTRUCTIONS

5



6



## ASSEMBLY COMPLETED



Please ensure the furniture rests on an even and flat surface. If the product wobbles or feels loose, double-check all bolts and/or screws are properly tightened and secured.



### Keep this handy!

Please retain this instruction manual and any order-related information for future reference.

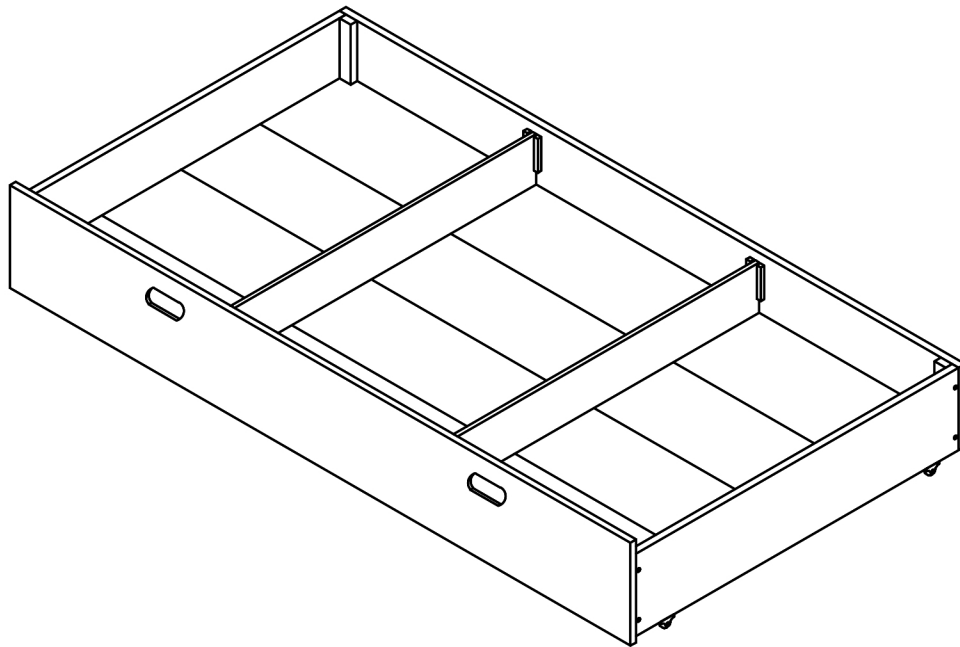


### Lift, don't drag!

To avoid damage to product please always LIFT the product when transporting or adjusting the placement.

# ASSEMBLY INSTRUCTIONS

---



## TOOLS REQUIRED



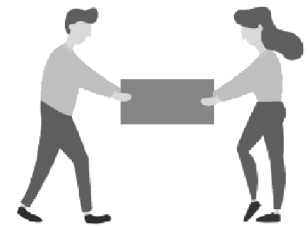
**Allen Wrench**

(Included)



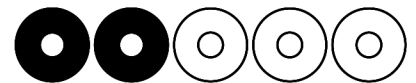
**Phillips  
Screwdriver**

(Not Included)



**2 - People  
Recommended**

## ASSEMBLY RATING



EASY —————> DIFFICULT

The Assembly Rating is a 5-point system showing the level of effort needed to assemble a specific product.



## **CHECK BEFORE STARTING**

### **Are you missing anything?**

Double-check all parts, hardware and accessories listed are all accounted for.

### **Should we send any replacements?**

Are there any irregularities or flaws in the parts? We can send replacements!

### **Check out our Quick Tips!**

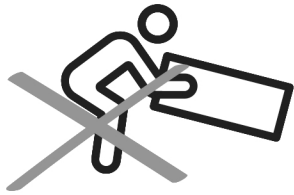
We recommend reviewing the pre-assembly handouts. Even experts need a refresher now and then!

### **Prep Time!**

Please review the assembly instructions and all diagrams prior to assembling.

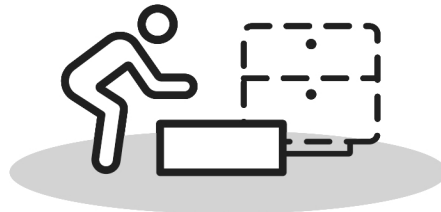
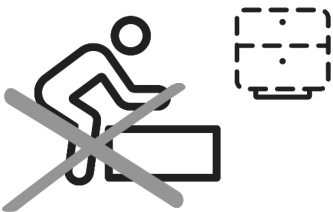
# PRE ASSEMBLY INTRODUCTION

We understand building ready-to-assemble furniture can be a challenging experience for some. To help avoid confusion, we have provided some helpful tips that may speed up the process.



## Teamwork

ALWAYS have at least two people to help with transporting and assembling the product to avoid potential injury and/or damage.



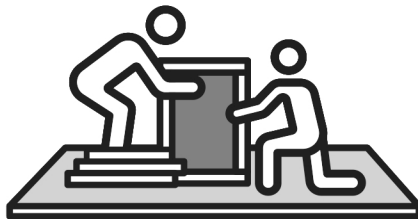
## Suitable Location

Assembling near the area of the intended location is highly recommended.



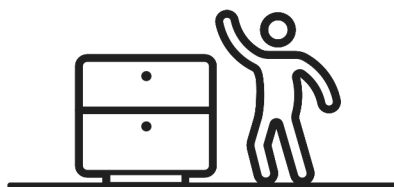
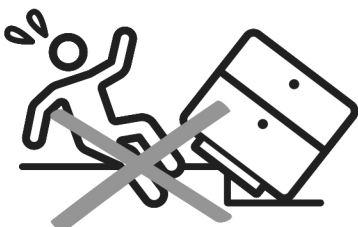
## Sufficient Space

Make sure you have enough space to move around during the assembly.



## Avoid Scratches

Use cardboard, blankets or a carpeted area while assembling furniture to prevent to prevent scratches and damages.



## Flat Surface

Make sure the furniture rests on a flat and level surface with each leg evenly touching the floor.

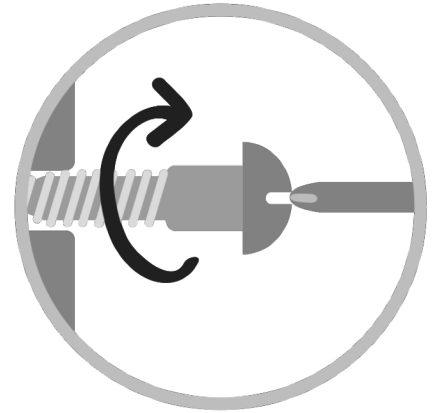
# ASSEMBLY AND CARE ADVICE



**FAILURE TO FOLLOW THE GUIDELINES BELOW MAY RESULT IN INJURY AND/OR PROPERTY DAMAGE.**



Position each part correctly and insert screws or bolts into their respective holes.



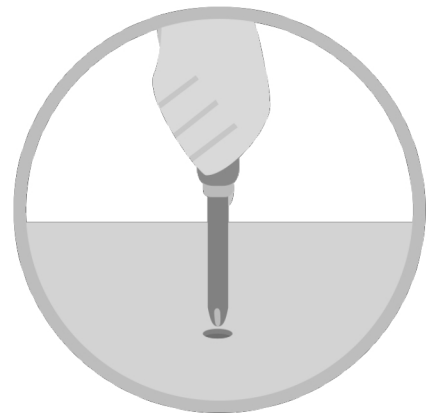
Turn clockwise to tighten and only tighten when step is completed or when instructed to do so.



Use the appropriate hand tools or power tools for assembly. Select steps, such as tightening screws and/or bolts, may require hand tools to avoid causing damage during assembly.



Save the instructions and store any supplied tools for later maintenance.



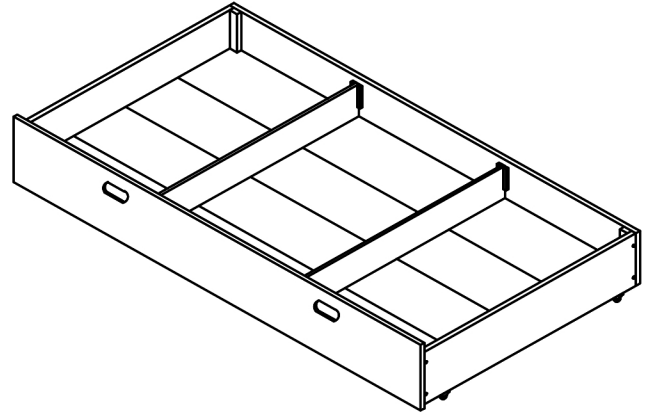
After two weeks, check and tighten any loose hardware and repeat again every six months thereafter.

**IT IS THE USER'S RESPONSIBILITY TO MAINTAIN THE FURNITURE. THE HARDWARE MAY LOOSEN OVER TIME AND MAY CAUSE THE FURNITURE TO BE WOBBLY AND UNABLE TO SUPPORT ITS INTENDED WEIGHT CAPACITY. THIS MAY LEAD TO COLLAPSE AND MAY CAUSE SERIOUS INJURY.**

# TRUNDLE

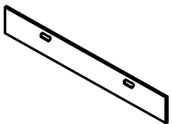


- Please keep instructions for future reference.
- Check the quantity and irregularity of parts and hardware before you start.



## PARTS

#1 1pc



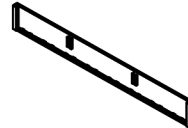
Front Panel

#2 2pcs



Side Panel

#3 1pc



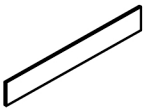
Back Panel

#4 8pcs



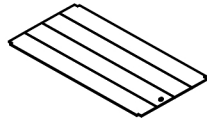
Slat

#5 2pcs



Standing Board

#6 1set



Bottom Panel

## HARDWARE

#A 8pcs



Bolt

Ø1/4" x 1-3/16"

#B 16pcs



Screw

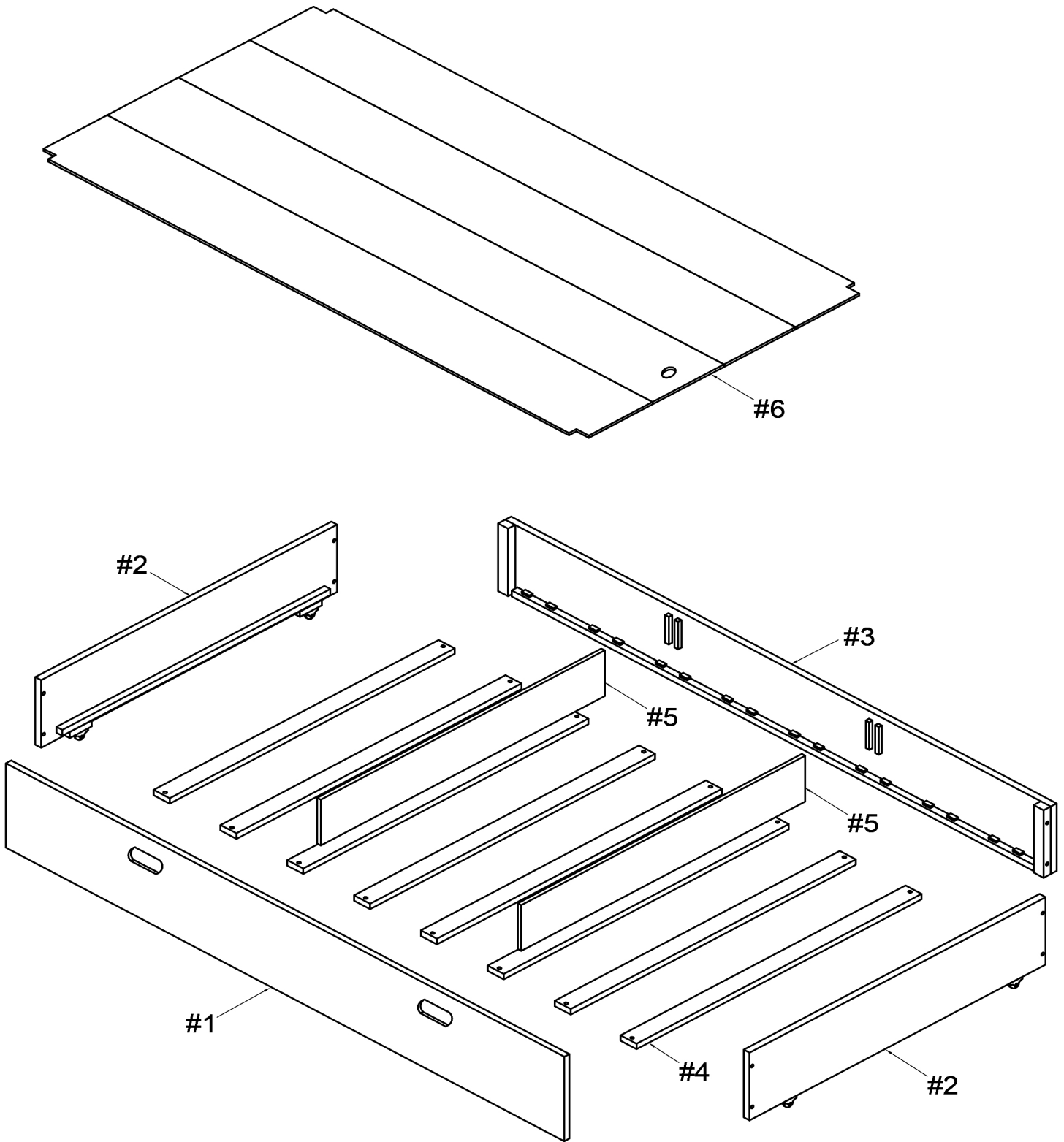
#4 x 1-3/16"

#C 1pc



Allen Key 4mm

# Exploded View



# ASSEMBLY INSTRUCTIONS

Attach the Side Panel (#2) to the Front panel (#1) and the Back panel (#3) by using Bolt (#A).

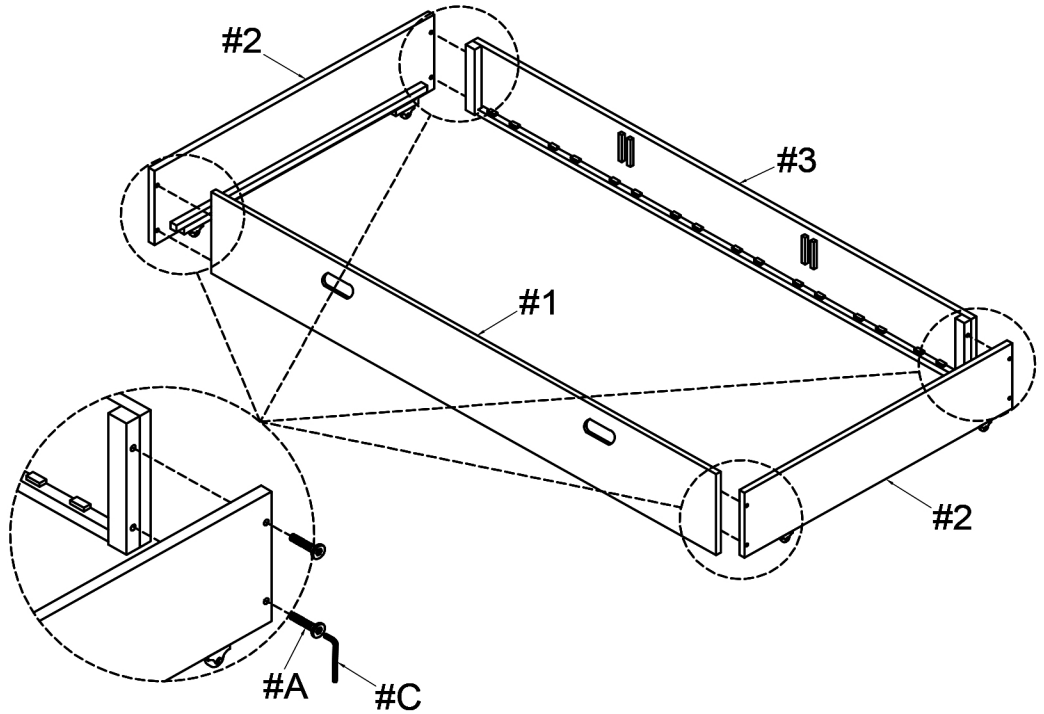
## 1

Part #1 x1pc

Part #2 x2pcs

Part #3 x1pc

Hardware #A x8pcs

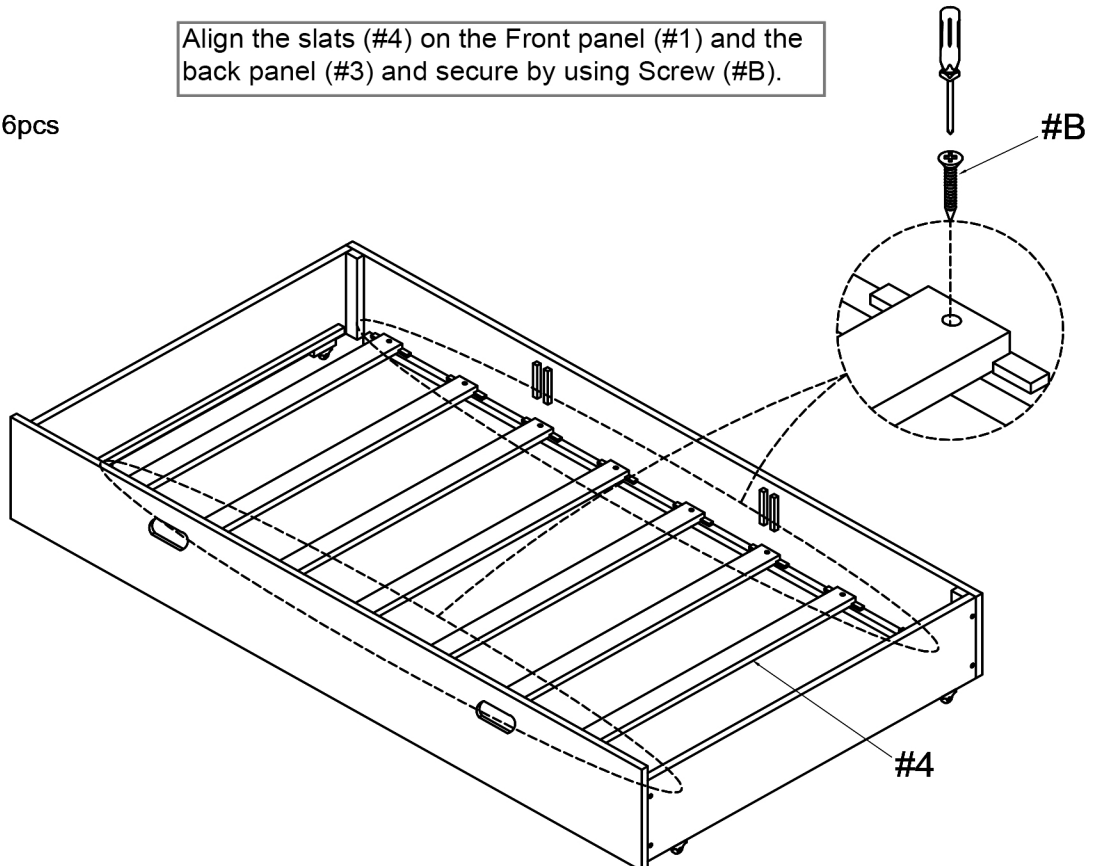


## 2

Part #4 x8pcs

Hardware #B x16pcs

Align the slats (#4) on the Front panel (#1) and the back panel (#3) and secure by using Screw (#B).

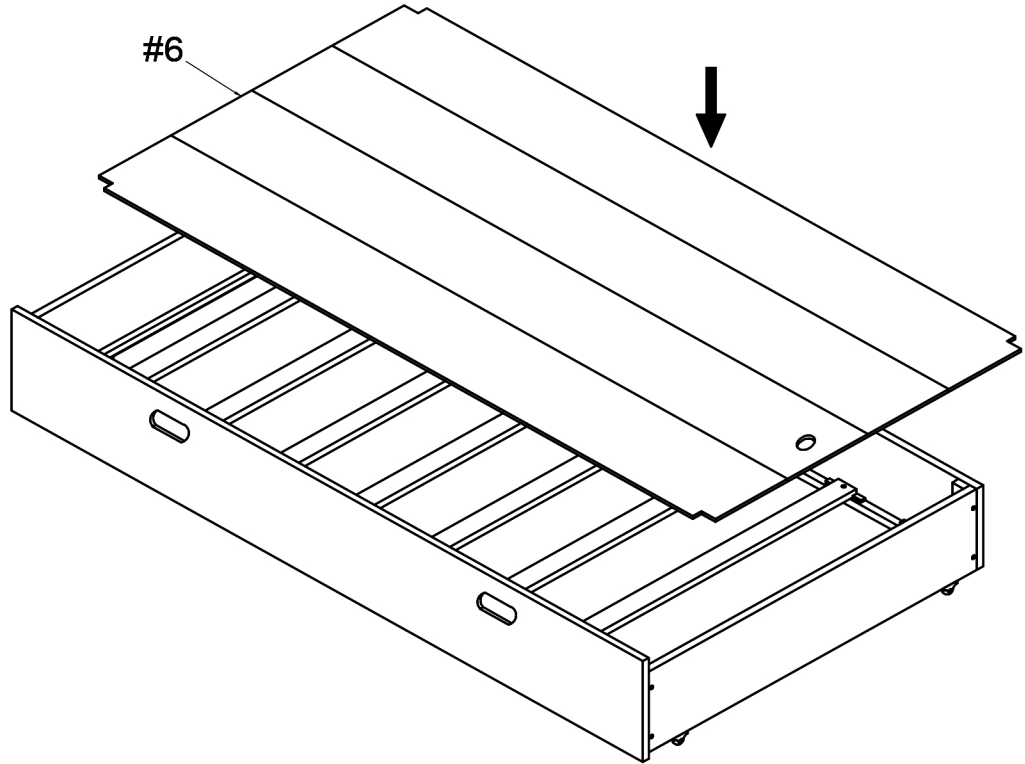


# ASSEMBLY INSTRUCTIONS

Place the Bottom panel (#6) over the slats.

## 3

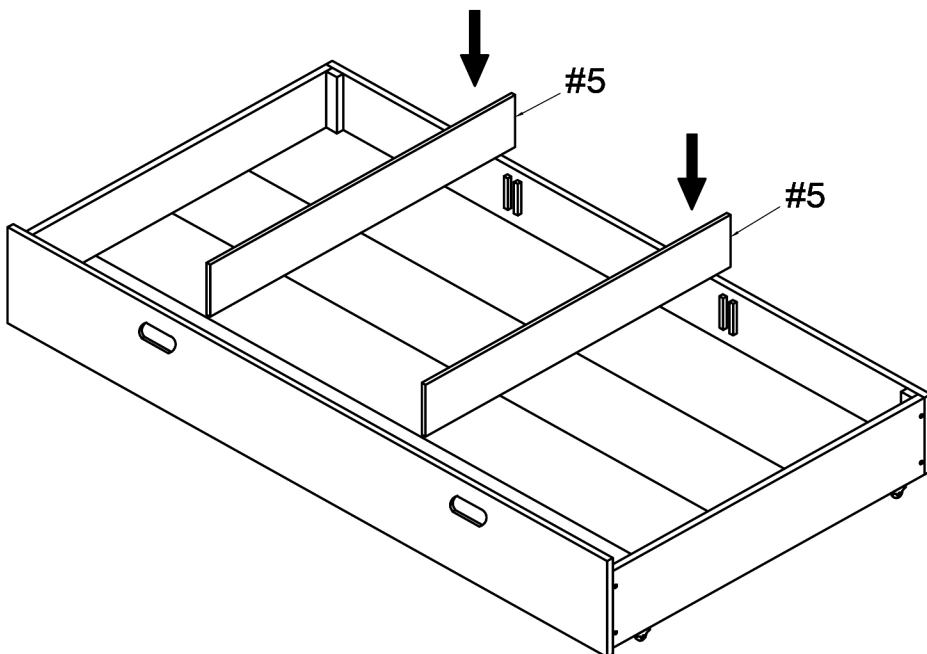
Part #6 x1set



## 4

Part #5 x2pcs

Insert the Standing board (#5).



## ASSEMBLY COMPLETED



Please ensure the furniture rests on an even and flat surface. If the product wobbles or feels loose, double-check all bolts and/or screws are properly tightened and secured.



### Keep this handy!

Please retain this instruction manual and any order-related information for future reference.



### Lift, don't drag!

To avoid damage to product please always LIFT the product when transporting or adjusting the placement.