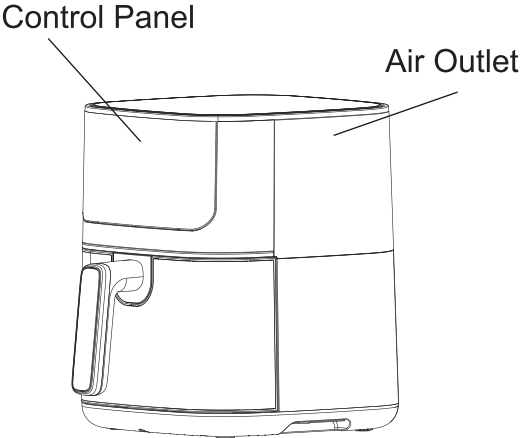
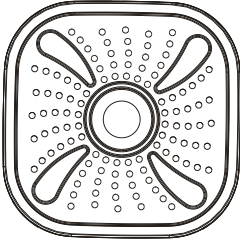
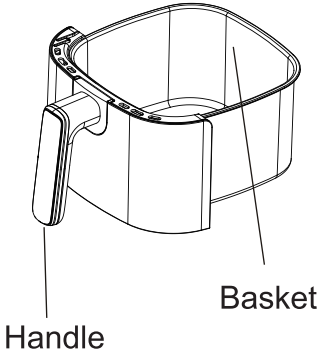


130×190mm/12页骑马钉/90g铜版纸/黑白印刷

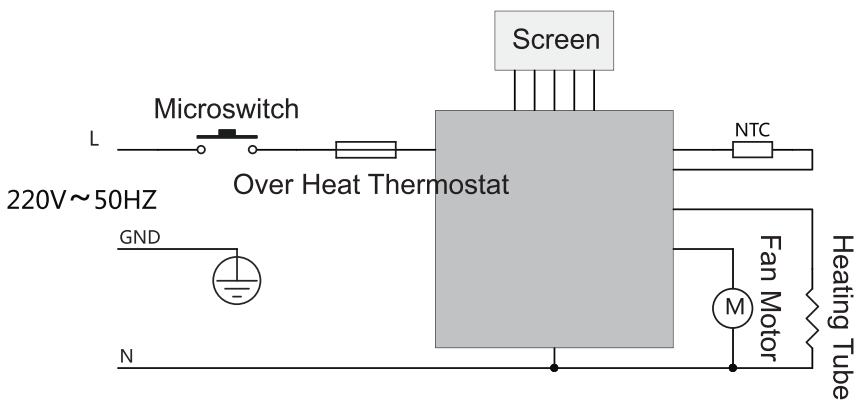
# USER MANUAL

Please read the manual carefully before use

# Component



# Circuit Diagram



# Product Specification

Voltage	Frequency	Power	Operation Mode
230V	50-60Hz	1400W	Digital

Before first use

- 1.Remove all packaging materials, remove adhesive or label of products, and keep them properly.
- 2.Please read this instruction manual.
- 3.Please use hot water, detergent and non-grinding sponge to thoroughly clean the outer pot, plate, etc.
- 4.Please wipe the inside and outside of this product with warm and wet cloth.
- 5.This product is an oil-free fryer, do not pour grease into the inner pot.

# Warning

1. Please read the manual carefully before you use the product.
2. This machine is only used for household, not for commercial or industrial use.
3. Please use 230V voltage.
4. Do not disassemble or repair by yourself.
5. Please contact with manufacturer or professional to change the power cord if it damaged.
6. Please turn off the power and unplug the product, when there is nobody attend to the product.
7. Do not cover the air inlet and air outlet when use the product.
8. Do not touch the plug or any other inner parts with wet hand
9. In order not to damage the product and avoid to catch fire, please do not insert water or any other liquid into the product.
10. Please unplug the product after use.
11. Do not turn on the product when the basket is not in the body.
12. Do not touch the product surface or inner parts when you are using it.
13. Please unplug the machine when you leave away from it.
14. The machine housing has electronic original and heating device, it can not be soaked in water or washed underwater.
15. Do not place in a child's touch.
16. Air fryer should be surrounded by enough space, more than 10 cm from each wall, and the main body can not cover any object.
17. Products during work, some surface temperature is very high, added anti-ironing mark ", do not touch, lest burn.
18. Use of this product must be guarded.



# Use Requirements

- It is not recommended to cook high-oil ingredients in this product, such as fat, sausage, etc.
  - Do not run the product in the form of an external timer or an independent remote control system to prevent short circuit, spontaneous combustion and other hazards.
- A snack that can be cooked in the oven can also be cooked in this product.
- To cook crisp French fries, the best ingredients are 300-500 grams.
  - Use pre-leavened dough to easily and quickly cook sandwich foods. Compared with homemade dough, pre-launched dough requires shorter cooking time.
  - If you want to bake cake or egg tarts, or cook fragile or sandwich ingredients, use a baking tray or mold in an outer pot (bring yourself separately).
  - You can use this product for hot food.









Note: do not add more than half of the baking tray when using hair ingredients such as cakes / custard or muffins

Note: if this product is cold started (not preheated), the cooking time should be increased by 5 minutes.

# Use of Preparatory Work

- 1.This product is placed on a stable, horizontal and flat table. Do not place the product on a heat-resistant table.
- 2.Do not place items at the top and outlet of the product, which will block the airflow and affect the heating effect of hot air.
- 3.Put the tray in the outer pot, and then put the food on the tray.
- 4.Food in the process of baking, turning over the face to fry, the effect will be better.

# Operational Instructions

- Plug in the power, the machine will have a beep sound, and all the indicator light will flash one second. The display shows a line, and the on/off light  will turn on.
- Turn On:  
Press the button , the product will keep in standby. All the indicator light will turn on. The screen will switch timer and temperature every five seconds. The preset temperature is 200°C and the timer is 15 minutes. The  button keep flash.
- Turn Off:  
Long press the button  few seconds, the machine will have a beep sound and keep screen shows a line. The button  turn on and other lights off. The machine will keep in power off and all the function turn off.
- The machine will be in sleep mode if you turn on it but without any operation in 60 seconds.
- Press the menu button  to choose different menus. The machine has 8 preset menus. Press the button  after decide the menu, the product will start to work. The chosen menu light will turn on and other lights off. The screen will show the temperature and the timer.
- Press the button + and - to adjust the timer or temperature. The temperature will change in 5°C by every press and the timer will change in 1 minute by every press.
- Press the button  after adjust the timer and temperature, the machine will start to temperature and the timer.  
work. After working with set timer, the product will turn off but the fan will keep working 15 seconds more to reduce the product temperature. And the machine will have beep sound for 5 times.

# Cleaning and Maintenance Methods

1.Clean the product immediately after each use.

There are layers inside the frying pan. Do not use metal kitchen utensils or abrasive cleaning materials to clean, because this will destroy the non-stick layer.

2.After cooking, please unplug the power plug from the power outlet and let the air frying pan cool. Opening the flip can cool the fuselage faster.

3.If dirt is attached to the bottom of the frying pan, add hot water to the frying pan, let the frying pan soak for about 10 minutes, add some detergent to clean with a non-grinding sponge.

4.If you need to clean the heating tube cover, clean with a clean brush after the product is completely cooled.

# Common Fault Inspection and Analysis

If the product can not work or not work properly, please check first according to the following list. If the abnormal situation does not appear in the list, the product may fail, it is recommended that you hand over the product to the supplier or manufacturer service center for processing.

Issues	Possible causes	Solutions
The indicator light does not turn on and does not work	The plug is not plugged in	Check that the plug is plugged in
	Timer not on or damaged	Switch on or off
	Heat fuse burns	Check if the hot fuse is damaged, replace it
	The cover is not fastened	The cover is not fastened
Not heated or heated abnormally	Loose or loose internal connections	Check if the heating connection is abnormal, please reconnect to the normal operation of the machine
	Heat fuse burns	Switch on or off
	The cover is not fastened	Check that the thermostat is damaged, replace it

Note: please unplug before cleaning and maintenance to ensure that the machine is not connected to the power supply.

## Environmental precautions



### Information on Disposal for Users of WEEE

The wheeled bin symbol on the product(s) and/or accompanying documents means that used electrical and electronic equipment (WEEE) should not be mixed with general household waste. For proper treatment, recovery and recycling,

please take this product(s) to designated collection points where it will be accepted free of charge.

Alternatively, in some countries, you may be able to return your products to your local retailer upon purchase of an equivalent new product.

Disposing of this product correctly will help save valuable resources and prevent any potential negative effects on human health and the environment.

which could otherwise arise from inappropriate waste handling.

Please contact your local authority for further details of your nearest designated collection point.