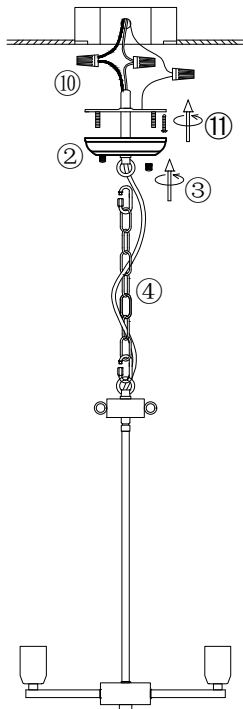
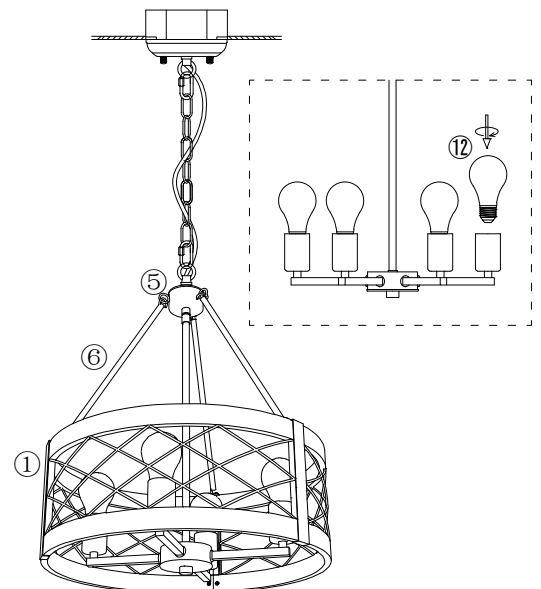


1. Loosen to remove out the screw ⑨, assemble the split frame ① to a complete circle frame with screw ⑨.
2. Upward the bulb holder 90 degree, let the wire go through the tube ⑦ and hanging part ⑤, rotate to fasten both to the fixture.



3. Hang the fixture to the canopy ② with chain ④, let the wire go through the chain ④ and canopy ②.
4. Install the bracket to the ceiling junction box with screw ⑩.
5. Connect the wire to your home line with connector ⑩.
6. Install the light fixture to the bracket with cap nut ③.



7. Hang the metal frame to the part ⑤ with tube ⑥.
8. Install the bulb ⑫.

ZJD00154-4/ZJD00154-6  
ZJD00159-4/ZJD00159-6

Please read carefully before installation!!!

Note : Please make sure that the electricity is powered off during installation !

Only a professional electrician should install this kind of product !