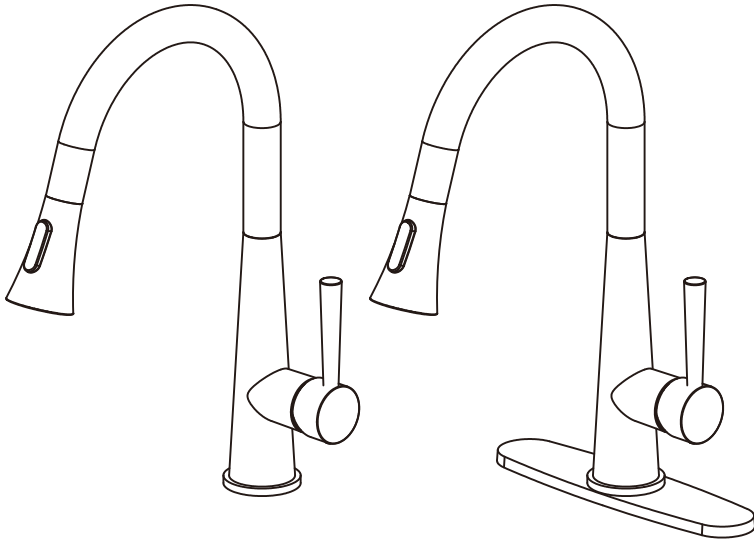


INSTALLATION AND CARE GUIDE

PULL-DOWN KITCHEN FAUCET



Thank You

We recommend our products be installed by a professional.

We appreciate the trust and confidence you have placed in our LAVA ODORO® products. We strive to continuously create quality products designed to enhance your home at an affordable price. Please visit our distributor's website to see our full line of products available for your home improvement needs.



Model#:KF321
Warranty Activation

Important Note:

To register your faucet and activate the warranty, please send the faucet model number KF321 to our official Email address **info@faucetorsink.com**

To join us for funny games and exclusive special offer, please visit our web:**www.faucetorsink.com**

Notice:

You may find residual water inside the faucet aerator or water lines as our faucets are 100% tested with pressured- water before shipment.



AVOID THE FOLLOWING CLEANING PRODUCTS THAT CAN CAUSE DAMAGE TO FAUCET FINISH:

INDUSTRIAL CLEANERS

ABRASIVE CLEANERS

TOILET BOWL CLEANERS

BLEACH-BASED CLEANERS

AMMONIA SOLUTIONS

SOS,SCOTCH-WRITE, BLEACH OR OTHER ABRASIVE PRODUCTS WILL DAMAGE THE FINISH AND VOID THE WARRANTY.

Any problem with the faucet, please feel free to contact us via Amazon or message us through Amazon or Lava's social media or calling us.



+1 585 968 4275



Instagram: faucetorsink



YouTube: lavaodoro



Facebook: Lava Odoro



Pinterest: Lava_Odoro

Helpful Tools

Tools:

Gather the necessary tools as shown below to complete the installation of the faucet. (Nothing else, just the picture).



Plumber's Putty



Flashlight



Basin Wrench



Safety Glasses



Screwdriver



Pliers



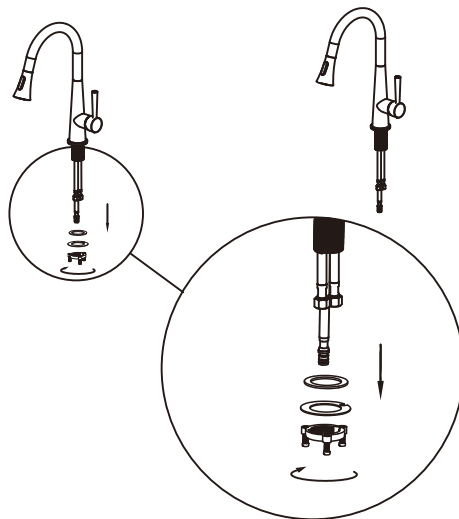
Channel Locks



Adjustable Wrench

Pre-Installation

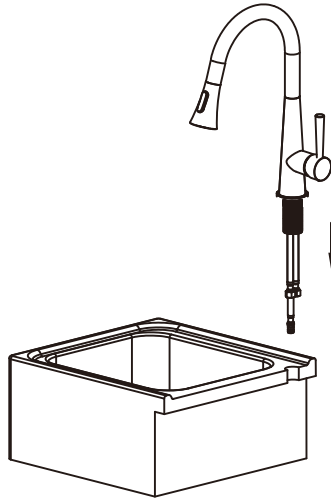
1. CAUTION: Always shut off the water supply before removing/replacing a faucet.
2. Remove the mounting nut, rubber, and metal washer from the bottom (shank) of the faucet as shown in the diagram below.



Installation

Installing the faucet assembly:

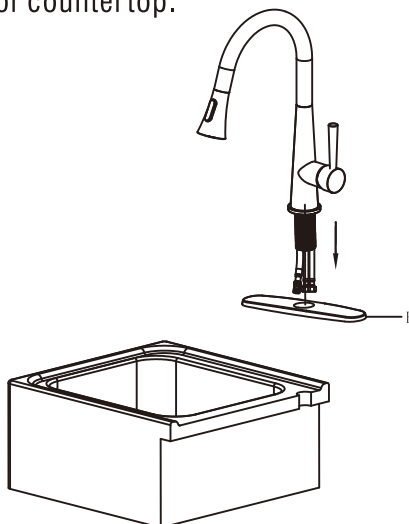
3. Insert the faucet body through the precut granite/marble/sink hole. The mounting hardware is installed from under the sink.



3A: OPTIONAL: INSTALL WITH DECKPLATE/3 HOLE COVER

1. The deck plate (B) is not included but can be purchased separately.

2. Place the deck plate (B) through the hot/cold connection and sprayer hose (if applicable). The deck plate should be placed to cover the precut 3 holes of the sink or countertop.

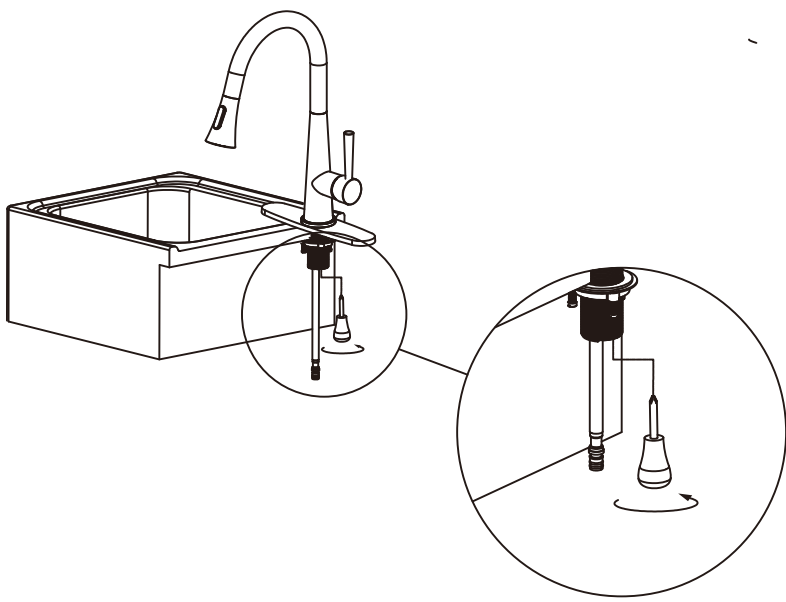
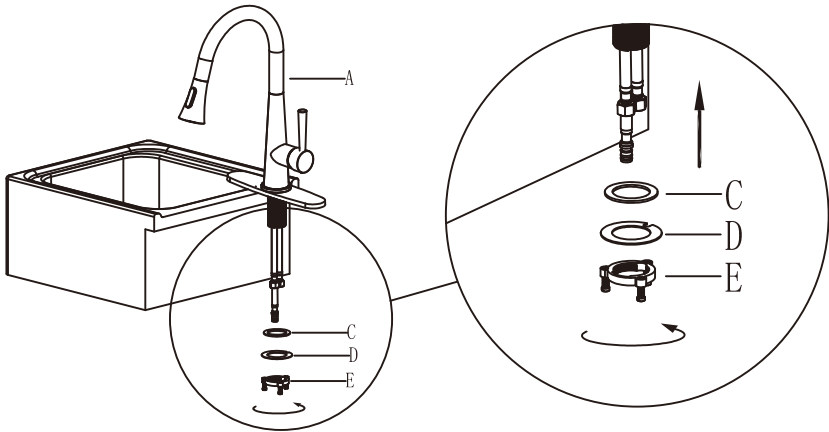


Installation

4: Securing faucet to cutout

From underneath the sink, secure the faucet assembly to the sink with the mounting nut rubber (C) and metal washer (D).

Use a screw driver to tighten the screws on the metal nut (E).

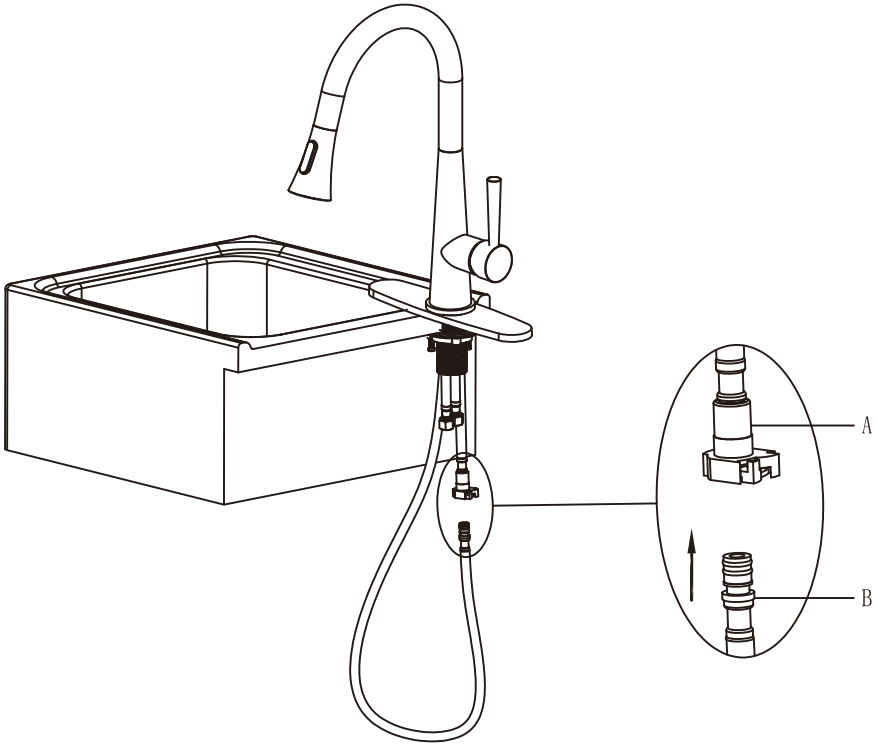


Installation

5: Attaching the sprayer hose to the quick connector

Push the sprayer hose (B) into the quick connect (A).

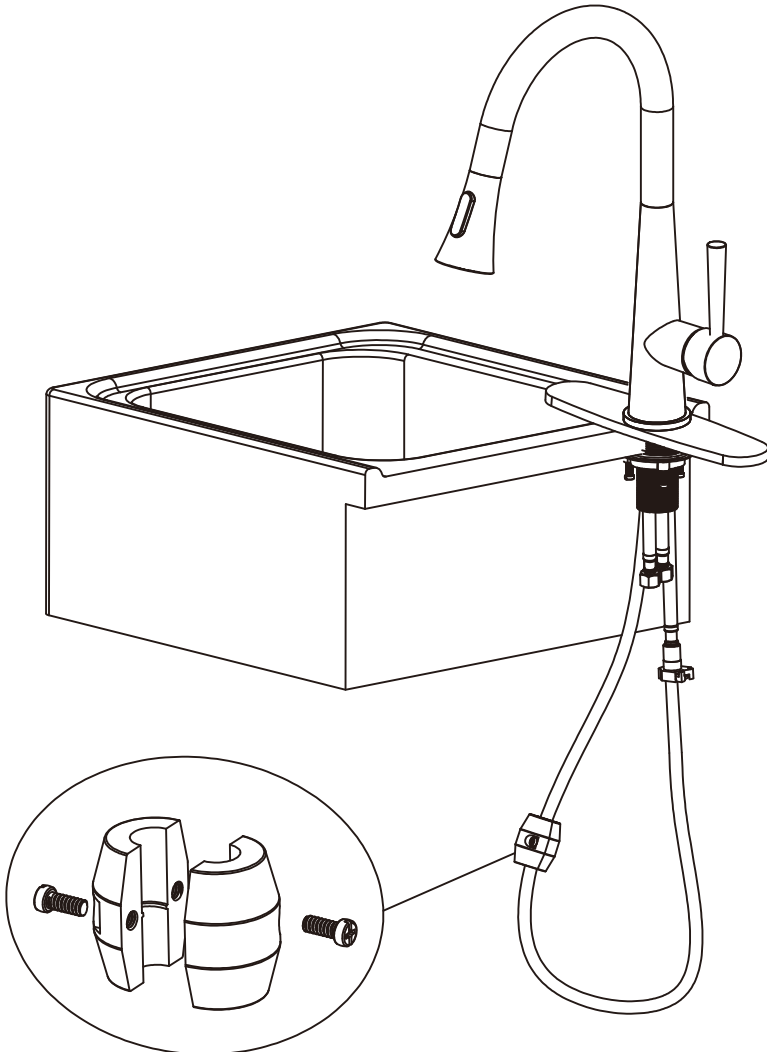
You should hear a click to ensure a successful connection.



Installation

6: Installing the weight

Use the 2 screws to loosen the weight as shown in the diagram below. When the weight is positioned, tighten the screws. Check the sprayer head for smooth operation. If the sprayer head does not go back into the slot on it's own, adjust the weight upwards towards the faucet.

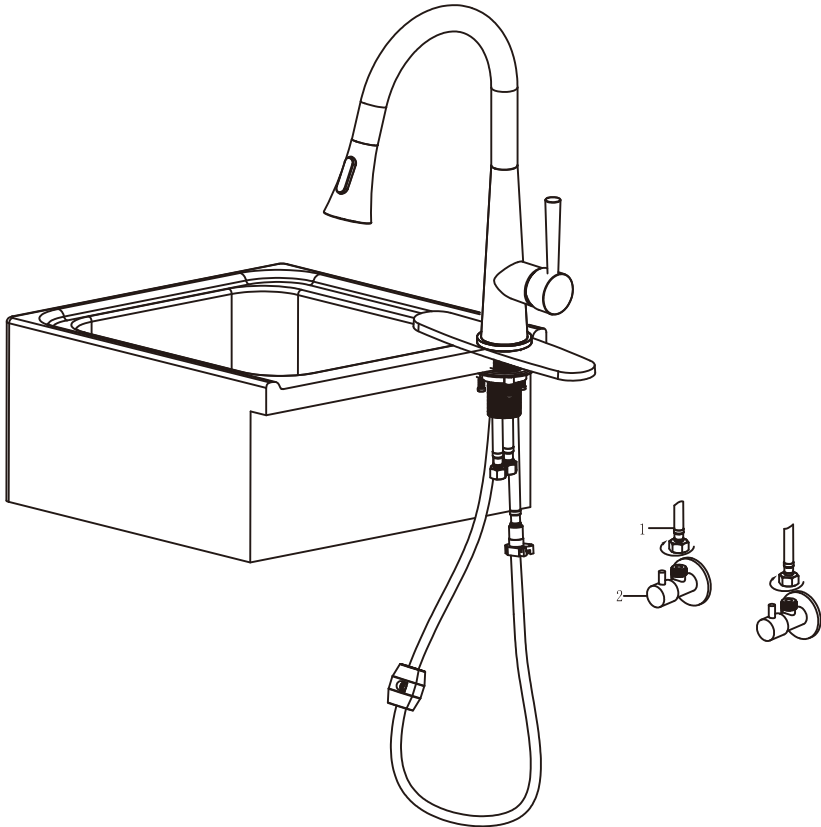


Installation

7. Making the water supply connection

Thread the nut on the water supply line (1) into the outlet of the water supply valve (2) and tighten with a wrench. **DO NOT** overtighten.

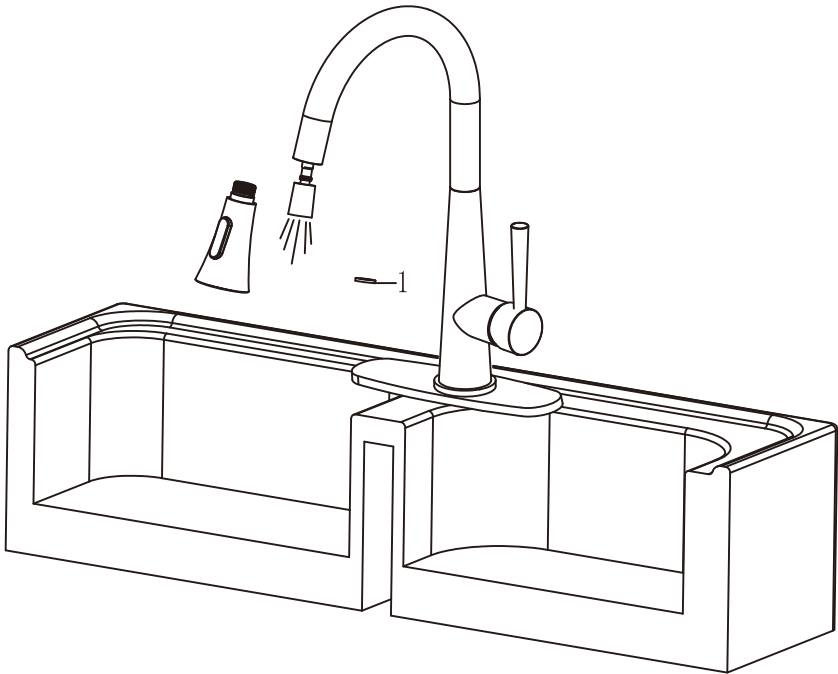
Note: the hot and cold supply lines are indicated by red (hot) and blue (cold).



Operation

8. Flushing and checking for leaks:

Pull the sprayer hose out and unscrew the head. Take out the washer from the end of the hose. The diagram indicates the sprayer hose and the washer. The washer is important for the flow of the sprayer head to stay consistent. Make sure not to lose this washer. Be sure to hold the sprayer hose so it does not go into the faucet and pull down towards the sink. Put the water on and flush out any debris. This step is essential in keeping the sprayer head from clogging with debris from the initial installation. Reinstall the sprayer head by screwing it back on. No tools necessary.



Care and Cleaning

To clean the faucet, wipe down with a damp cloth and then with a dry towel. DO NOT use abrasive cleaners, steel wool, or harsh chemicals when cleaning the faucet, or the warranty will be voided.

Troubleshooting

PROBLEM	POSSIBLE CAUSE	SOLUTION
Leaks under the handle	The bonnet nut that holds the handle into place has come loose The O- ring on the cartridge is dirty or damaged	Tighten the bonnet nut Clean or replace the O- ring
The aerator leaks or has an inconsistent water flow pattern	The aerator is dirt or mis fitted The Cartridge may be clogged	Remove the aerator and check for debris in the screen Remove the cartridge and check for debris
There are leaks from the hose under the deck	The supply hose or discharge tube connection may be loose	Tighten the supply hose or discharge tube
The spray hose does not retract	The weight is not installed in the proper position	Reinstall or readjust the weight
The water pressure is low	The screen gasket between the sprayer hose and sprayer is clogged	Turn off the water supply and unscrew the spray. Take out the screen gasket and clean under running water. Screw the sprayer head back into place
There is no hot or cold water	The water inlet hose was accidently kinked (bent) during installation and is limited the water flow through	Reinstall the water inlet hose



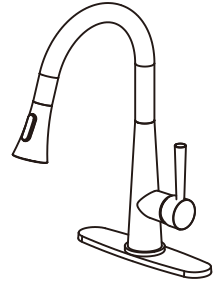
LAVA ODORO®

SPECIFICATIONS

Model No.:KF321
PULL-DOWN KITCHEN FAUCET

Description

- Our pull-down system offers smoother operation, easy movement, and secure docking
- Extra long (60") kink-resistant braided sprayer hose extends beyond the sinks
- Spout swivel (360°) for a wide range of motion around the sink and surrounding areas
- High arc, gooseneck design offers ample height for filling pots and cleaning dishes
- Single handle operation makes precise and convenient control
- Flexible supply line with PEX inner hose and 3/8" compression nut
- Quick-Connect Technology makes installation easier & quicker

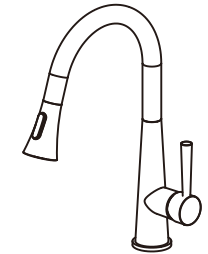


Operation

Lever style handle

Operates in stream or sprayer mode in the pull-down or retracted position

Temperature controlled by 90° arc of handle travel



Flow

Flow is up to 1.8gpm (6.8L/min)

Cartridge

Premium grade ceramic disc cartridge

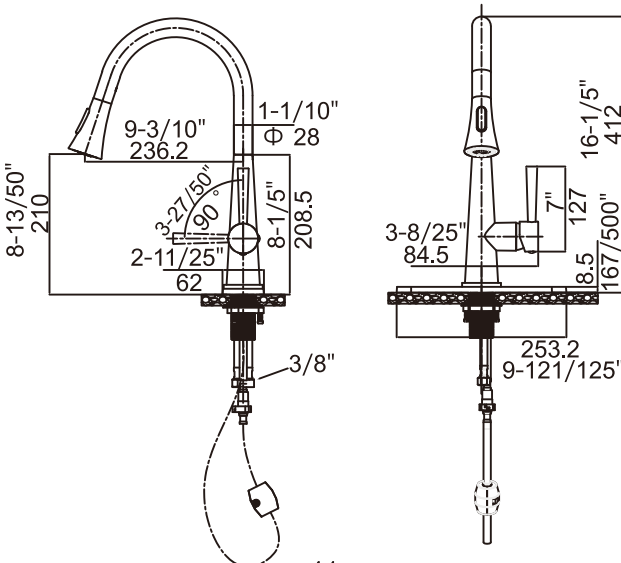
Standards

Third party certified to IAPMO, ASME112.18.1/CAS B-125.1

Certified to NSF/ANSI 61/9&372

Complies with Federal Safe Drinking Water Act & California Health & Safety Code

The backflow protection system with Check valve prevent backflow.



WARRANTY REGISTRATION AND CLAIM

All parts (other than electronic parts and batteries) and finishes of this Lava **Odoro**® faucet are warranted to the original consumer purchaser to be free from defects in material and workmanship for as long as the original consumer purchaser owns the home in which the faucet was first installed.

Electronic Parts and Batteries (if applicable)

Electronic parts (other than batteries), if any, of this Lava Odoro® faucet are warranted to the original consumer purchaser to be free from defects in material and workmanship for 1 years from the date of purchase or, for commercial users, for one year from the date of purchase. No warranty is provided on batteries.

Lava Odoro Faucet Company will replace, FREE OF CHARGE, during the applicable warranty period, any part or finish that proves defective in material and/or workmanship under normal installation, use and service in 1 year. Lava Odoro will continue to provide replacement part, FREE OF CHARGE, if found to be defective in the future upon proofs in forms of image or video.

Lava Odoro Faucet Company recommends using a professional plumber for all installation and repair. We also recommend that you use only genuine Lava **Odoro**® replacement parts. Lava Odoro Faucet Company shall not be liable for any damage to the faucet resulting from misuse, abuse, neglect or improper or incorrectly performed installation, maintenance or repair, including failure to follow the applicable care and cleaning instructions. Limited Warranty on Lava **Odoro**® Faucets.

Proof of purchase (original sales receipt) from the original purchaser must be made available to Lava Odoro Faucet Company for all warranty claims unless the purchaser has registered the product with Lava Odoro Faucet Company. This warranty applies only to Lava **Odoro**® faucets manufactured after January 1, 2010 and installed in the United States of America, Canada and Mexico.

To register and activate the warranty, it's required to send the order number with model number to info@faucetorsink.com if the purchase is from Lava Odoro online shop, Amazon, Wayfair or other website.

Lava Odoro FAUCET COMPANY SHALL NOT BE LIABLE FOR ANY SPECIAL, INCIDENTAL OR CONSEQUENTIAL DAMAGES (INCLUDING LABOR CHARGES) FOR BREACH OF ANY EXPRESS OR IMPLIED WARRANTY ON THE FAUCET. Some states/provinces do not allow the exclusion or limitation of special, incidental or consequential damages, so these limitations and exclusions may not apply to you. This warranty gives you special legal rights. You may also have other rights which vary from state/province to state/province.

This is Lava Odoro Faucet Company's exclusive written warranty and the warranty is not transferable. If you have any questions or concerns regarding our warranty, please view our Warranty FAQs at www.faucetorsink.com, email us at info@faucetorsink.com