



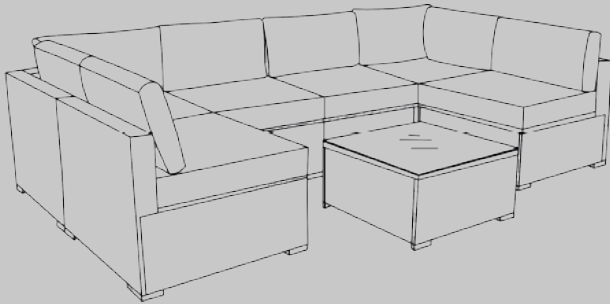
**ESSENTIAL
LOUNGER**

7 Pieces Sectional Sofa

SKU : KBK-2001BK\KBK-2002GY

KBK-20010G\KBK-2001BL\

KBK-2002BG



**IMPORTANT:RETAIN FOR FUTURE REFERENCE,
READ CAREFULLY**

For parts and customer service,please send E-mail to



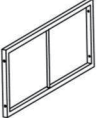




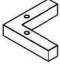

essentiallounger@gmail.com

Our customer service will help you to solve questions within 24 hours!

CONTENTS

- Armless Chair 01-05
- Left Corner 06-12
- Right Corner 13-19
- Coffee Table 20-25
- Cleaning & Storage 26
- Limited Warranty 27

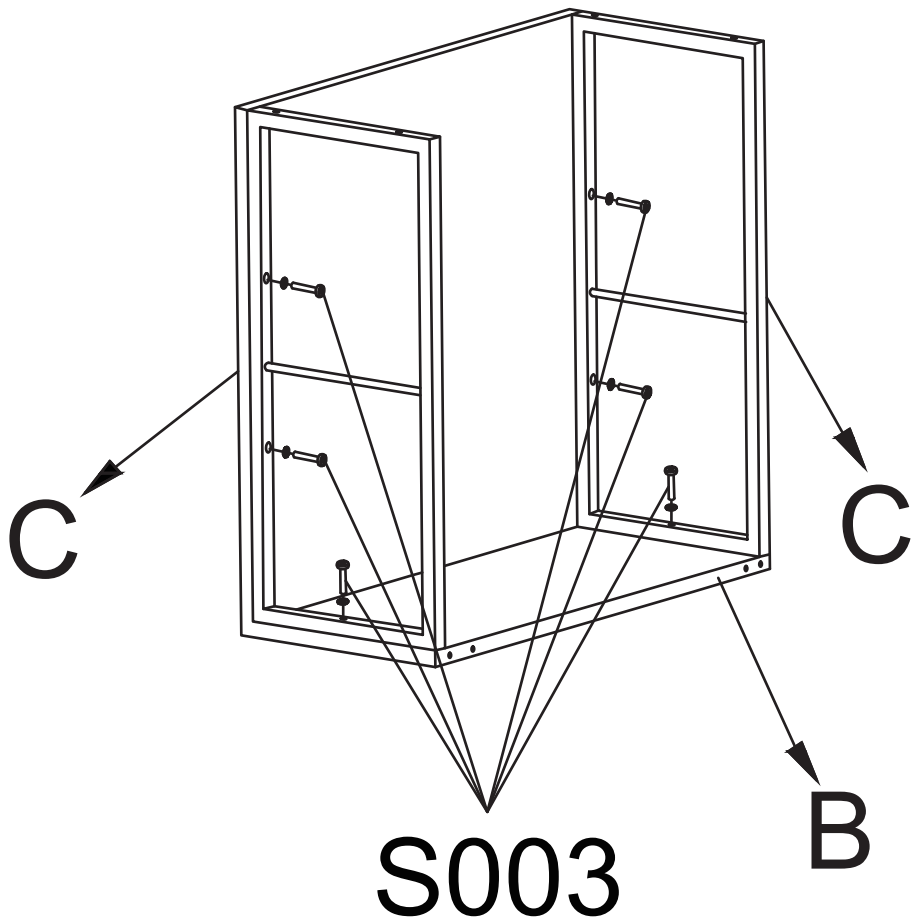
Armless Chair Parts List

Item no.	Reference Image	Description	Qty
A		Seat Back	1
B		Seat Base	1
C		Seat Panel	2
S003		M6x35 Hex Socket Head Screw	8
S004		M6x40 Hex Socket Head Screw	9
W002		Flat Washer	17
T001		S4 Allen Key	1
F001		L Foot	2
F002		Word Foot	2

Armless Chair

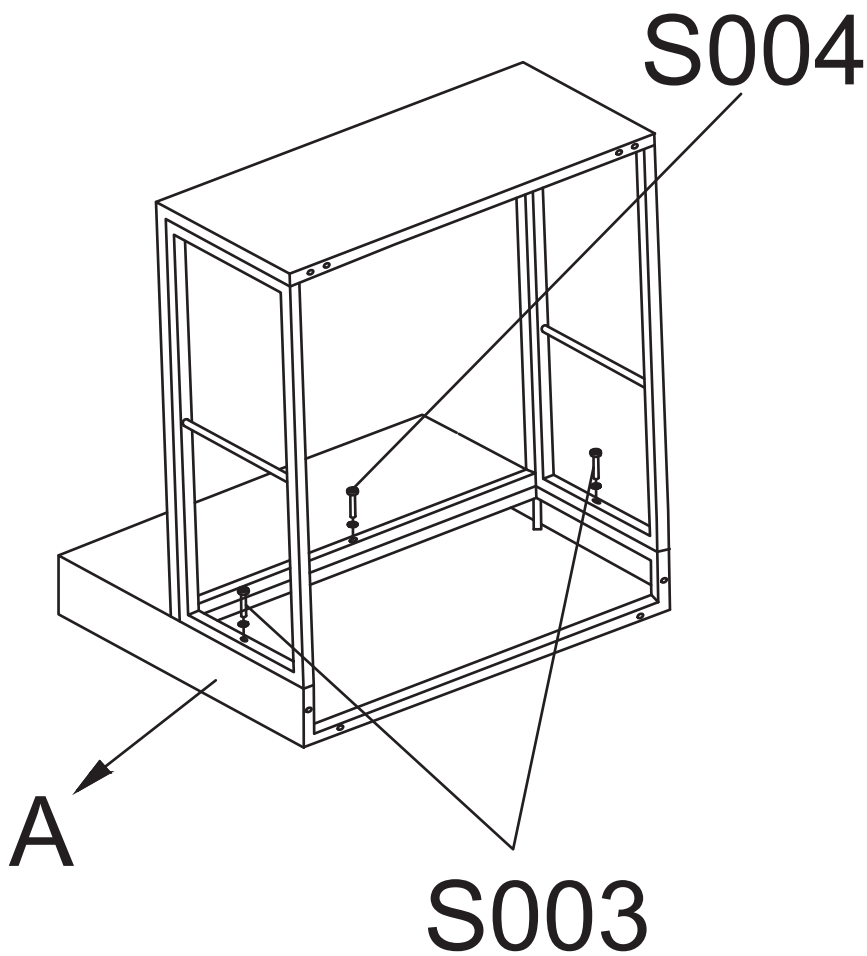
Assembly instructions

STEP 1



Armless Chair Assembly instructions

STEP 2

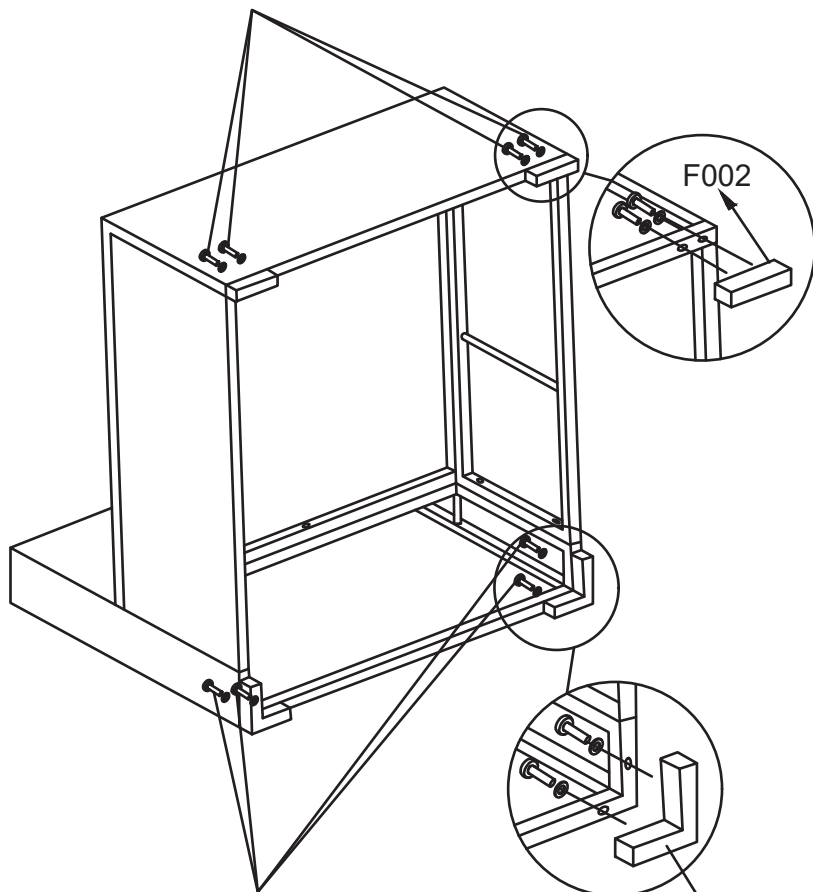


Armless Chair

Assembly instructions

STEP 3

S004

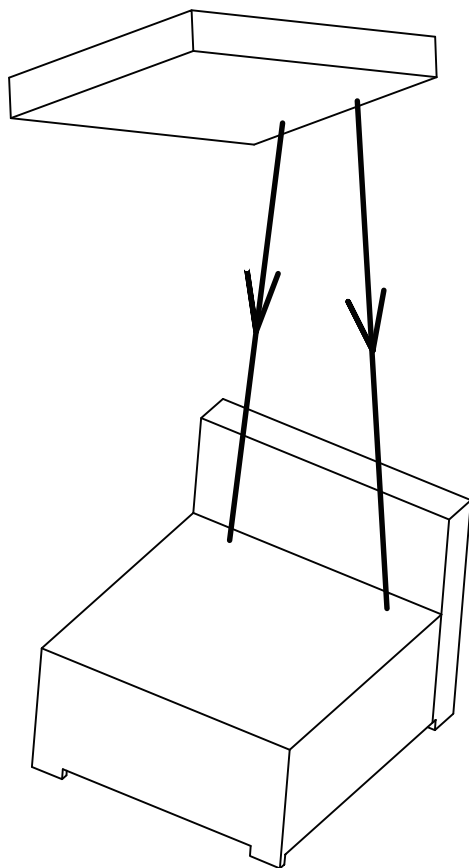


S004

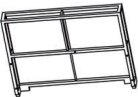











Put all the plastic feet on each sofa

Armless Chair Assembly instructions

STEP 4

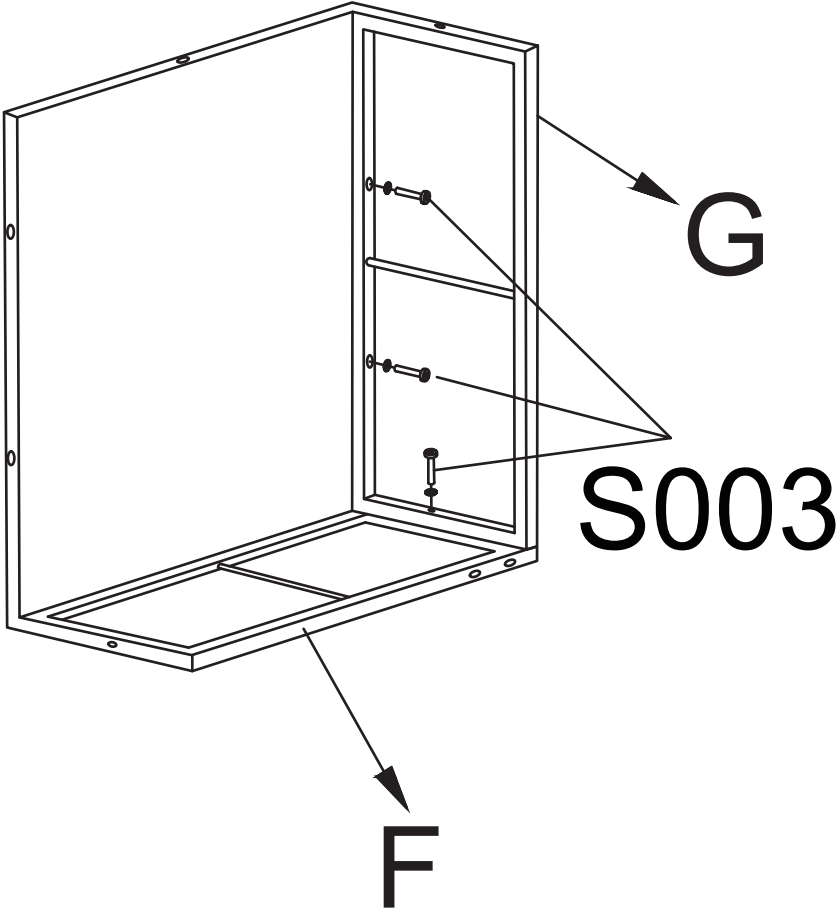


Left Corner Parts List

Item no.	Reference Image	Description	Qty
D		Left Arm Rest	1
E		Seat Back	1
F		Seat Base	1
G		Side Panel	1
S003		M6x35 Hex Socket Head Screw	6
S004		M6x40 Hex Socket Head Screw	11
W002		Flat Washer	19
T001		S4 Allen Key	1
W001		Flat Washer	1
S001		M6x15 Socket Head Cap Screw	2
F001		L Foot	1
F002		Word Foot	3

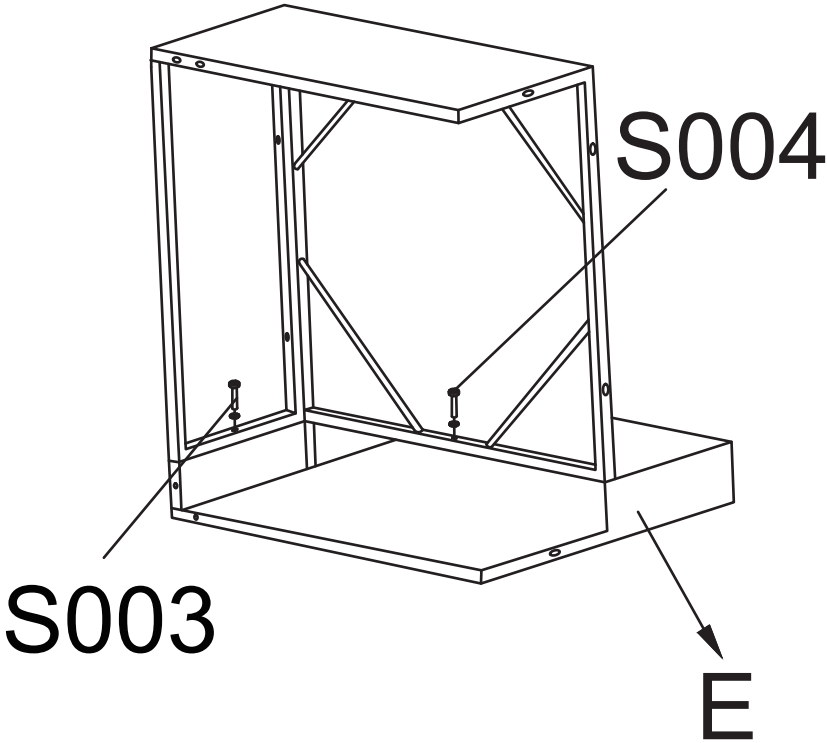
Left Corner Assembly instructions

STEP 1



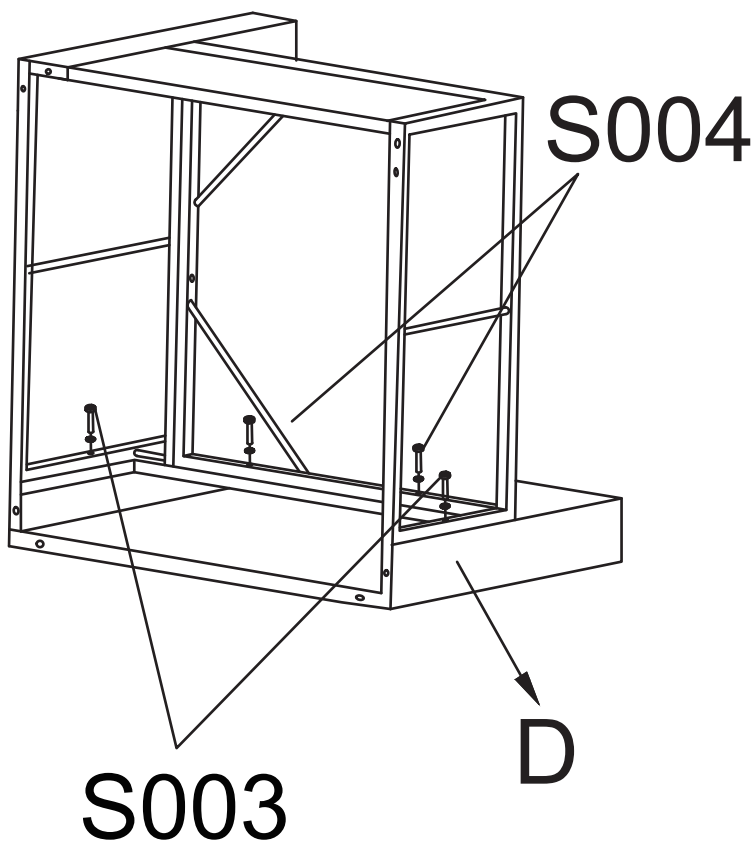
Left Corner Assembly instructions

STEP 2



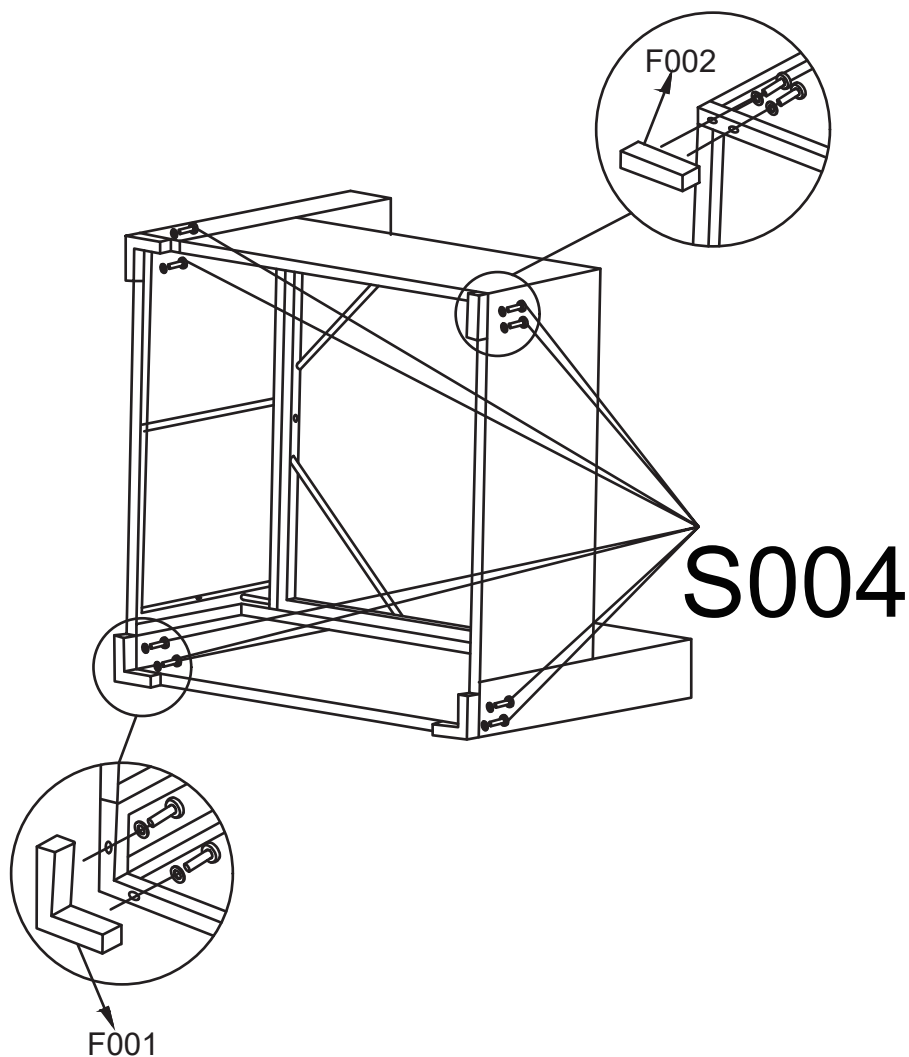
Left Corner Assembly instructions

STEP 3



Left Corner Assembly instructions

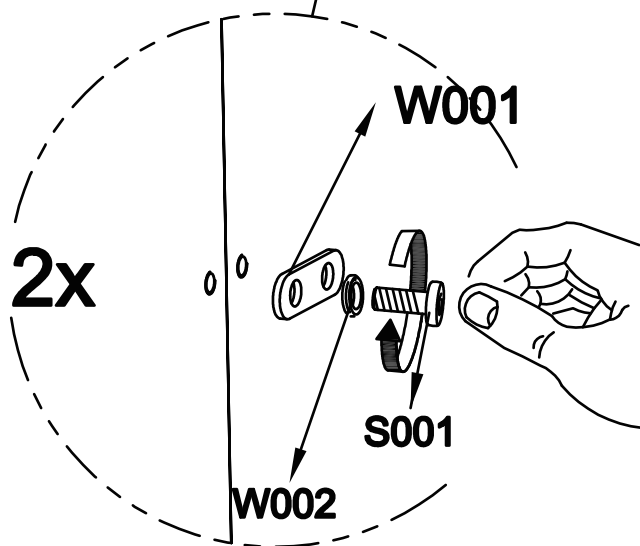
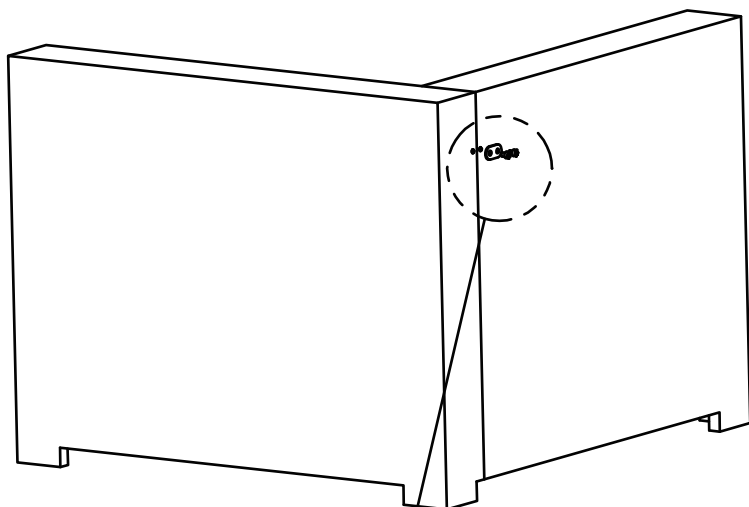
STEP 4



Put all the plastic feet on each sofa

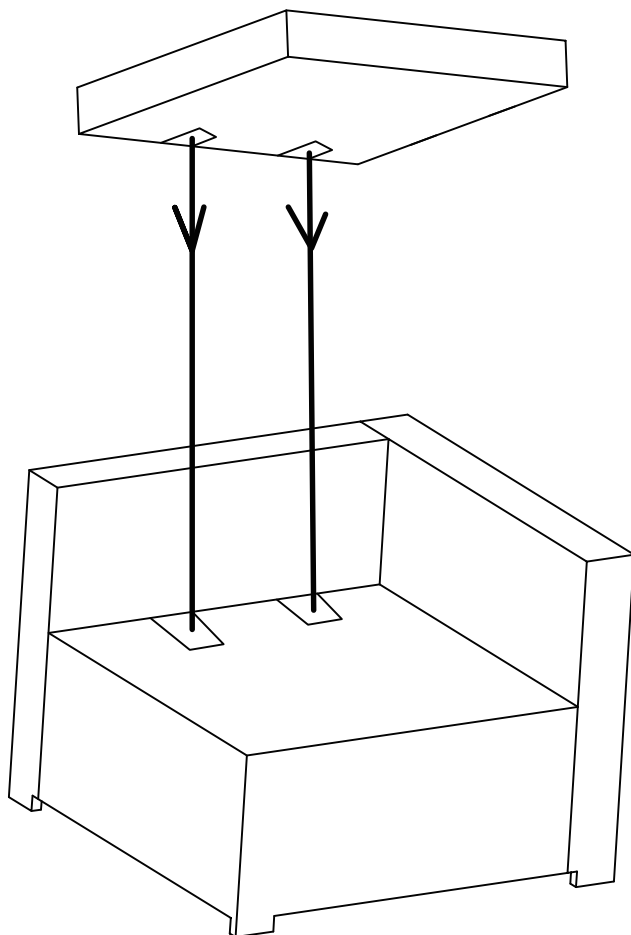
Left Corner Assembly instructions

STEP 5









Left Corner Assembly instructions

STEP 6

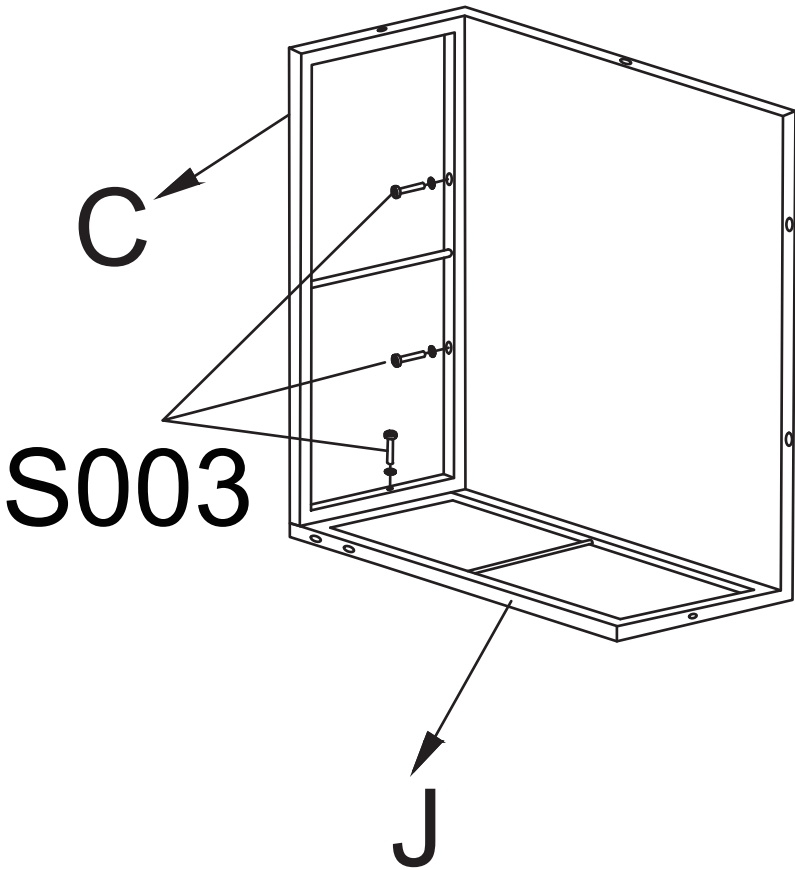


Right Corner Parts List

Item no.	Reference Image	Description	Qty
H		Right Arm Rest	1
I		Seat Back	1
J		Seat Base	1
C		Side Panel	1
S003		M6x35 Hex Socket Head Screw	6
S004		M6x40 Hex Socket Head Screw	11
W002		Flat Washer	19
T001		S4 Allen Key	1
W001		Flat Washer	1
S001		M6x15 Socket Head Cap Screw	2
F001		L Foot	1
F002		Word Foot	3

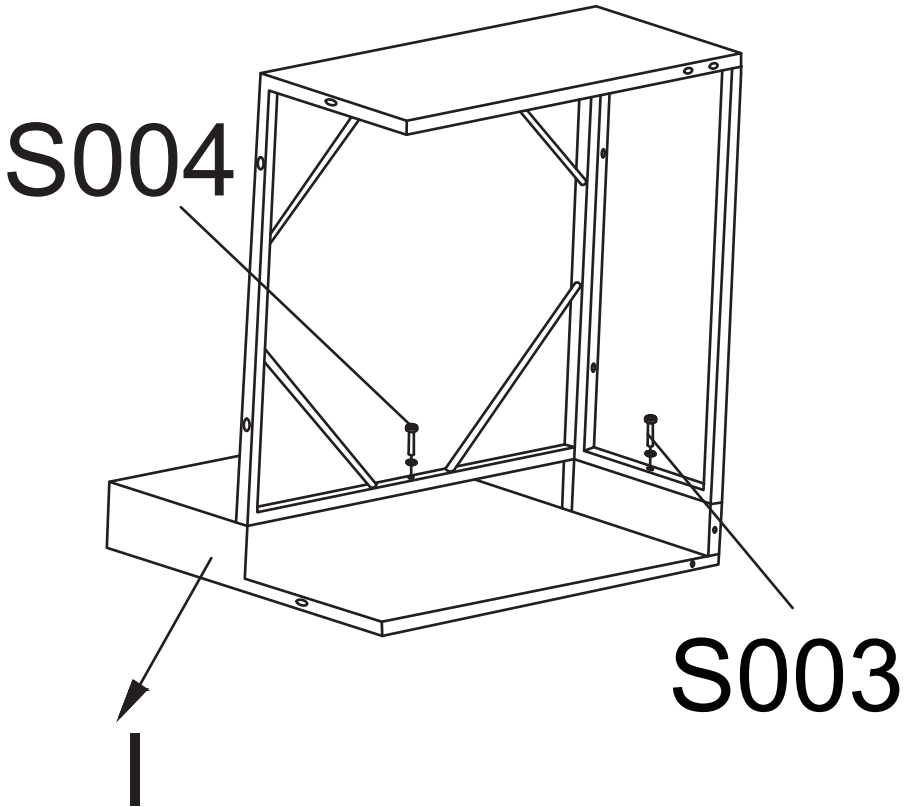
Right Corner Assembly instructions

STEP 1



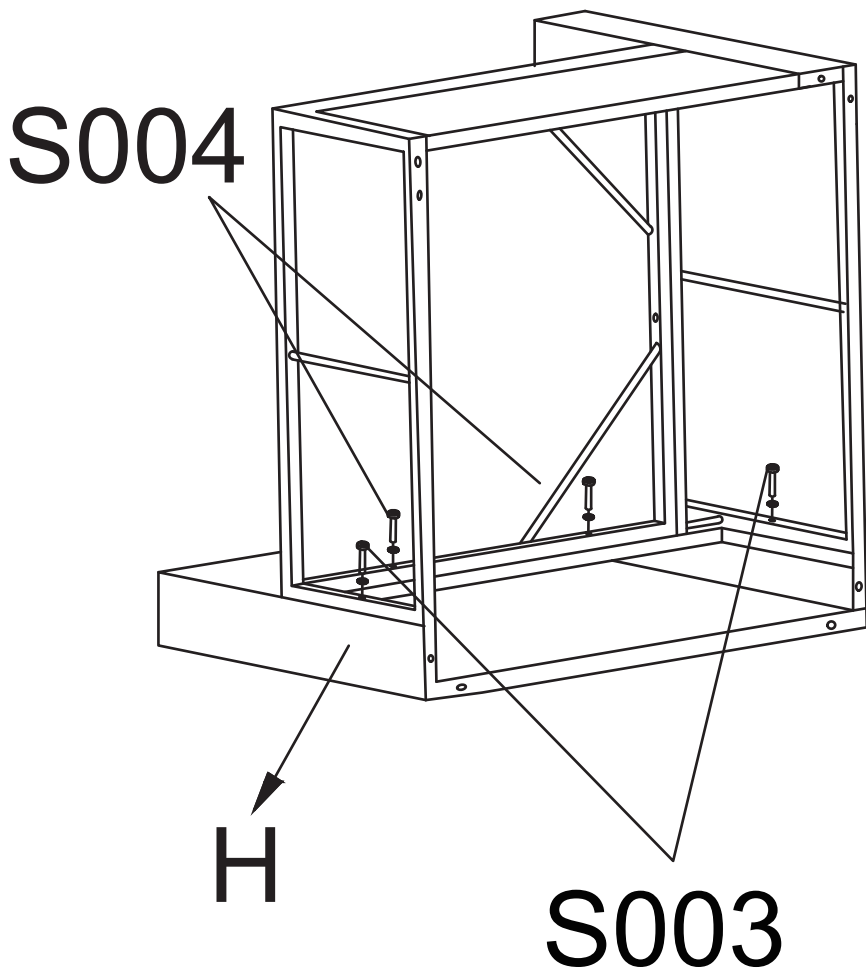
Right Corner Assembly instructions

STEP 2



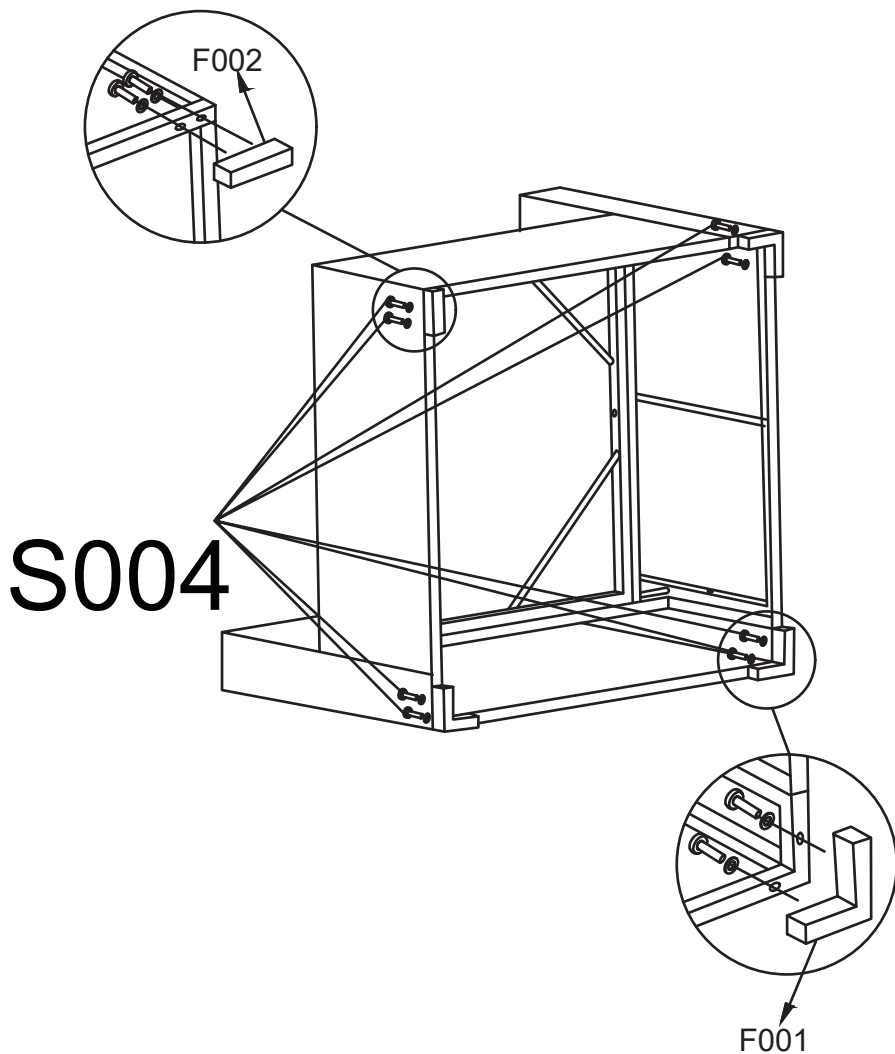
Right Corner Assembly instructions

STEP 3



Right Corner Assembly instructions

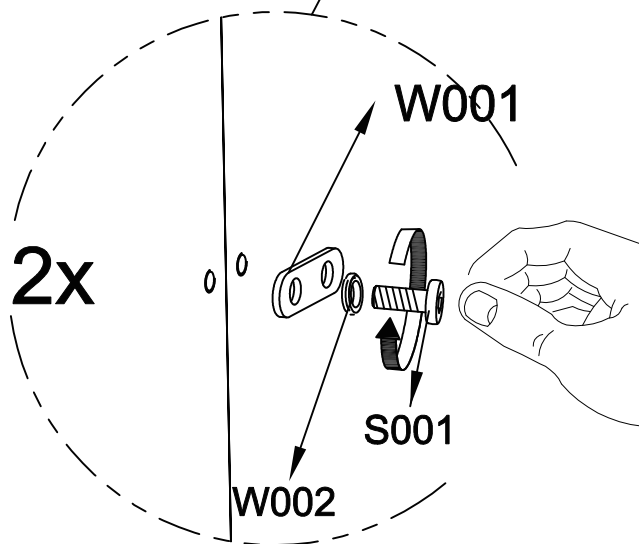
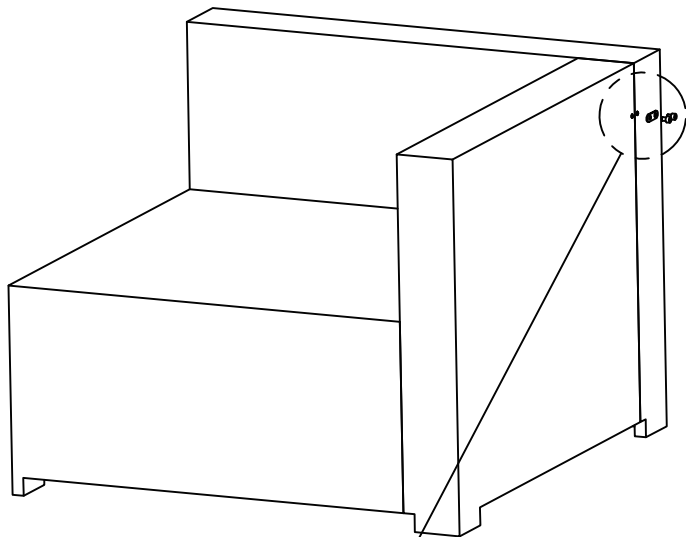
STEP 4



Put all the plastic feet on each sofa

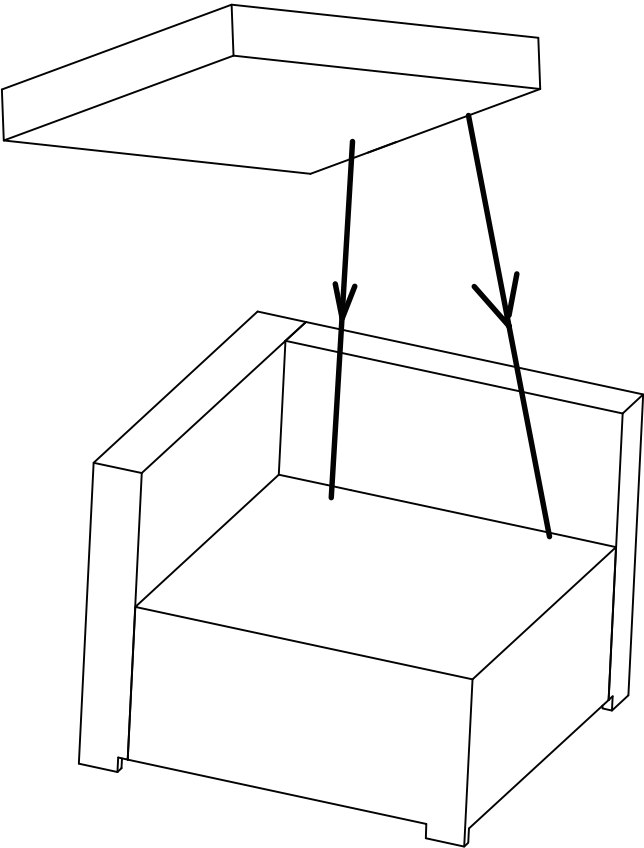
Right Corner Assembly instructions

STEP 5


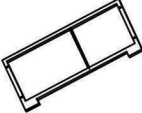
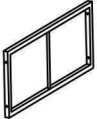








Right Corner Assembly instructions

STEP 6



Coffee Table Parts List

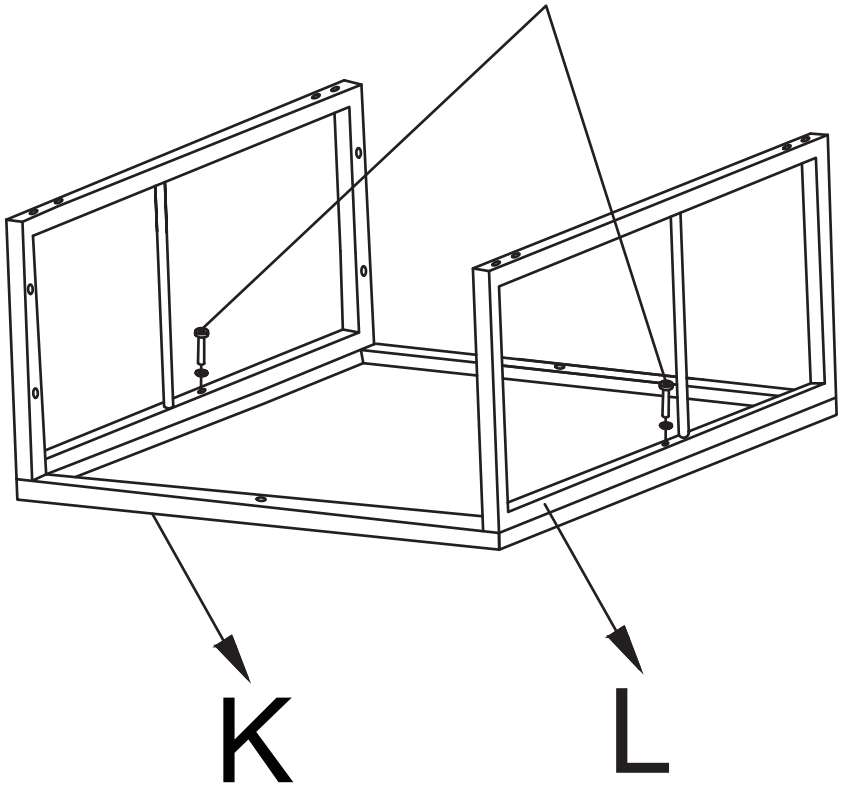
Item no.	Reference Image	Description	Qty
K		Table Top	1
L		Side Panels	2
M		Front & Back Panel	2
N		Glass Top	1
S003		M6x35 Hex Socket Head Screw	10
S004		M6x40 Hex Socket Head Screw	8
W002		Flat Washer	18
T001		S4 Allen Key	1
F002		Word Foot	4

Coffee Table

Assembly instructions

STEP 1

S003

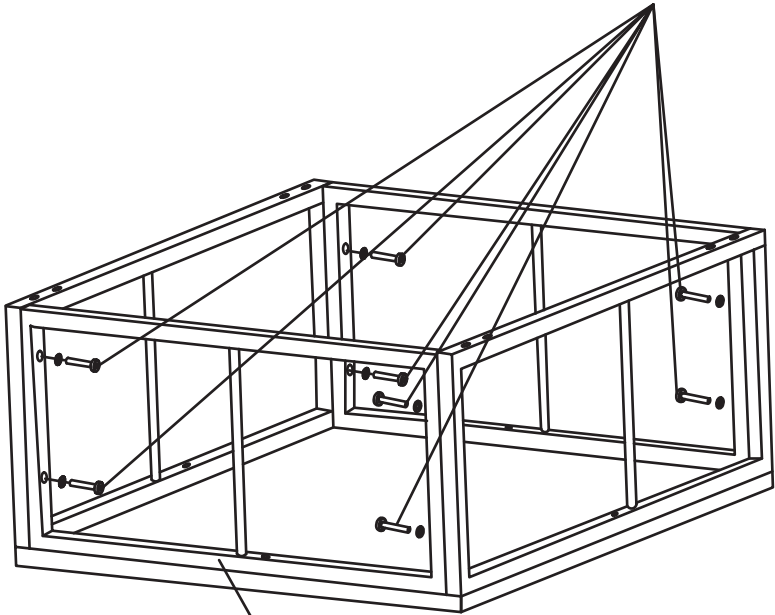


Coffee Table

Assembly instructions

STEP 2

S003

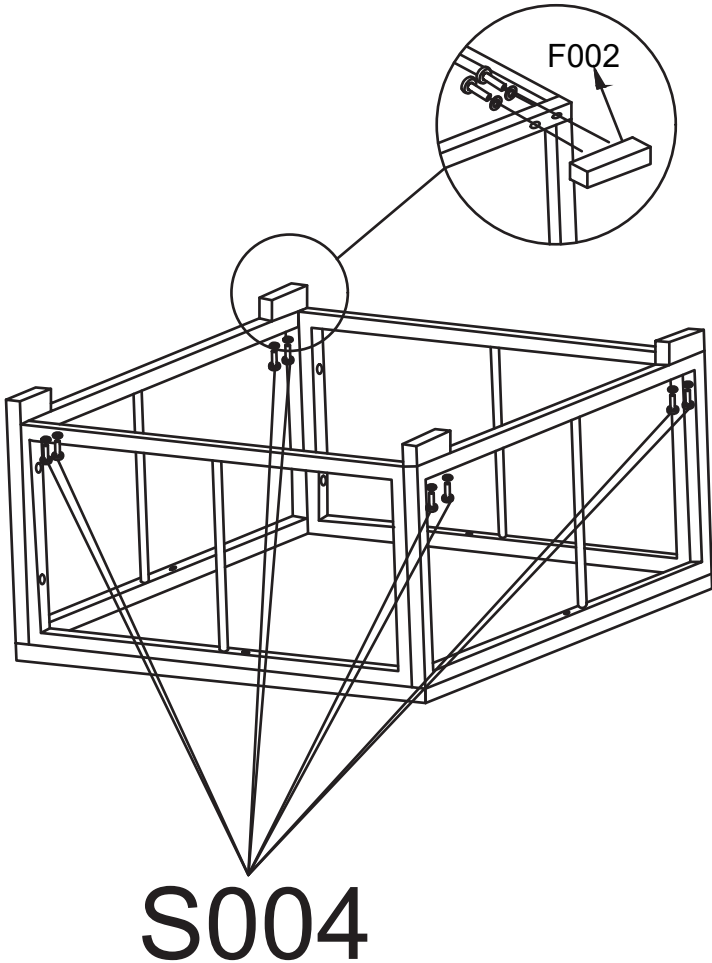


M

Coffee Table

Assembly instructions

STEP 3

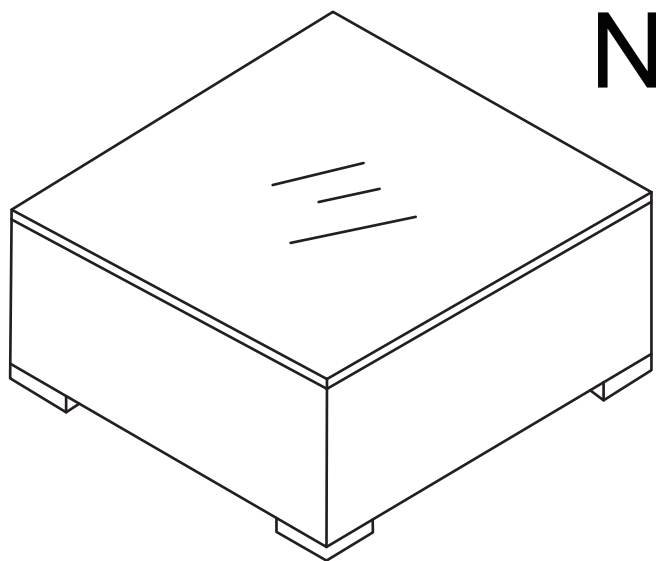


Put all the plastic feet on each sofa

Coffee Table

Assembly instructions

STEP 4



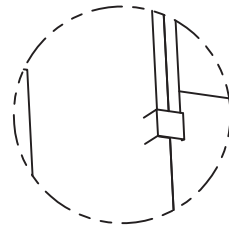
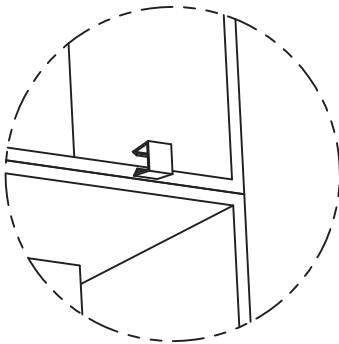
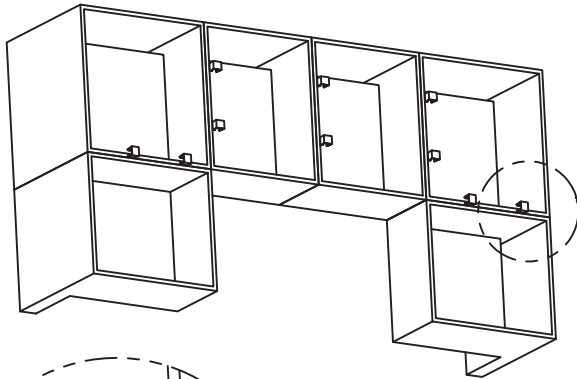
Coffee Table

Assembly instructions

STEP 5



You might need plastic clips to connect each sofa after all assembling.



Cleaning & Storage

Cleaning

NOTICE!

Risk of damage!

Improper handling of the product may result in damage to the product.

- Do not use any aggressive cleaners, brushes with metal or nylon bristles, or sharp or metallic cleaning utensils such as knives, hard scrapers, and the like. They could damage the surfaces.
- Wipe clean the rattan/wicker with warm water and a damp cloth only, then let the rattan/wicker dry completely.
- Use a soft damp cloth to wipe off the product. A mild cleaning solution can be applied for stubborn dirt. Let all parts dry completely after cleaning.
- Regularly check the stability of all connections and retighten the screws when necessary. Loose screw connections may impair safety. There is a risk of injury.
- Do not clean the cushion cover through the washing machine and dryer.

Storage

NOTICE!

Risk of damage!

- Storing the product in a damp area will allow rust to form on the screws. This may permanently and irreparably damage the functionality or load-bearing capacity of the product.
- Avoid dust, water, moisture, frost, extreme temperature, high humidity, and direct sunlight.
- Please take the seat cushion & pillows indoors or put them in a waterproof storage box, cover the product with a waterproof cover when heavy or persistent rain or snow is forecast. However, make sure there is good ventilation around the product even if it is covered
- All parts must be completely dry before being stored
- Store the product so that it is not accessible to children.

Limited Warranty

We appreciate your feedback and will do our best to guarantee your satisfaction. If you have any questions, please contact us at essentialounger@gmail.com. Our professional after-sales service team is always here for you.

This is the only express warranty for this product and is in lieu of any other warranty or condition. This product is warranted to be free from defects in material and workmanship for a period of one (1) year from the date of original purchase. During this period, your exclusive remedy is repair or replacement of this product or any component found to be defective, at our option; however, you are responsible for all costs associated with returning the product to us and our returning a product or component under this warranty to you. If the product or component is no longer available, we will replace with a similar one of equal or greater value.

This warranty does not include Waterproof cover, wear from normal use, use not in conformity with the printed directions, or damage to the product resulting from accident, alteration, abuse, or misuse. This warranty extends only to the original consumer purchaser or gift recipient. Keep the original sales receipt, as proof of purchase is required to make a warranty claim. This warranty is void if the product is used for other than single-family household use or receive external force for artificial damage.

We exclude all claims for special, incidental, and consequential damages caused by breach of express or implied warranty. All liability is limited to the amount of the purchase price. Every implied warranty, including any statutory warranty or condition of merchantability or fitness for a particular purpose, is disclaimed except to the extent prohibited by law, in which case such warranty or condition is limited to the duration of this written warranty. This warranty gives you specific legal rights. You may have other legal rights that vary depending on where you live. Some states or provinces do not allow limitations on implied warranties or special, incidental, or consequential damages, so the foregoing limitations may not apply to you.