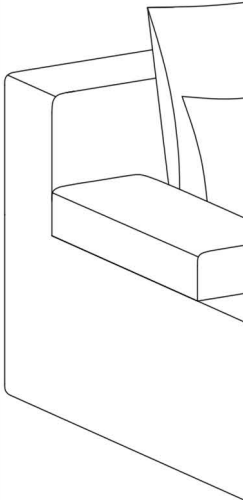


Owner Manual



WARRANTY

We strive to offer high quality product and we also try our best to satisfy each customer that order from us, no matter on products or services as needed. Each customer receives a record of their order, such as the order number or item receipt. For any items that are out of warranty period, you may still be able to purchase the replacement parts from our company if they are available.



MAINTENANCE AND WARNING

Please read the manual thoroughly
before you start installing.

Please keep the product away from
sharp object.

Packaging and small parts may have
chocking hazard, please keep them away
from children and pets.

Please clean the product according to each
clean code, check the product description
for more information.

Please keep the product away from
fire.

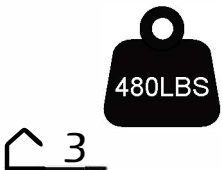
If you have any other questions, please
contact us, we will be glad to help you out.

If the product is placed under direct
sunlight, the pattern or color might fade
away overtime.

Check the product periodically to make
sure everything is secured and tightened.

Always use proper tools for installation.

Do not jump on the product.



PRODUCT DESCRIPTION

Premium Upholstery: Wrapped in cotton-blend flannel, the fabric feels warm, soft, and smooth, with a subtle sheen that elevates any space.

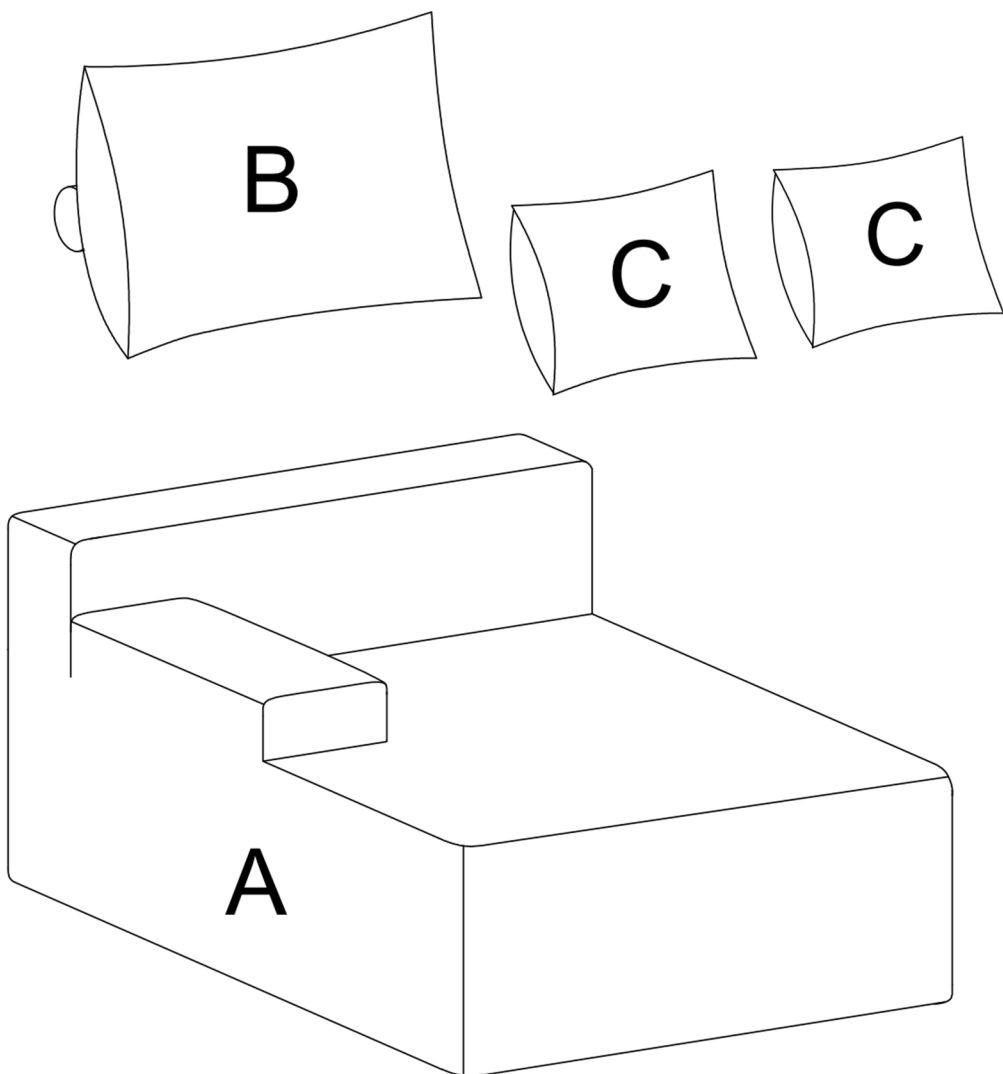
Full-Foam Construction: The compressed foam body ensures consistent support across the entire chaise for long-lasting comfort.

Advanced Cushioning: High-quality foam sponge combined with pocket springs delivers elasticity and resilience, preventing sagging.

Generous Proportions: Its oversized design allows you to fully recline, making it ideal for reading, napping, or unwinding.

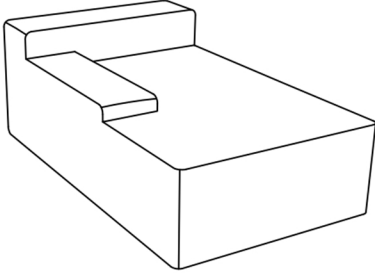
Practical Additions: A non-slip bottom pad provides stability, while two matching pillows add comfort and decorative charm.

EXPLODED VIEW



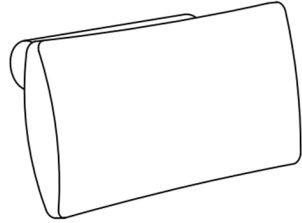
PARTS

A*1



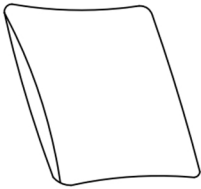
Seat cushion

B*1



Back cushion

C*2



Pillow

D*1



The connecting stripes

HARDWARE

TOOL LIST

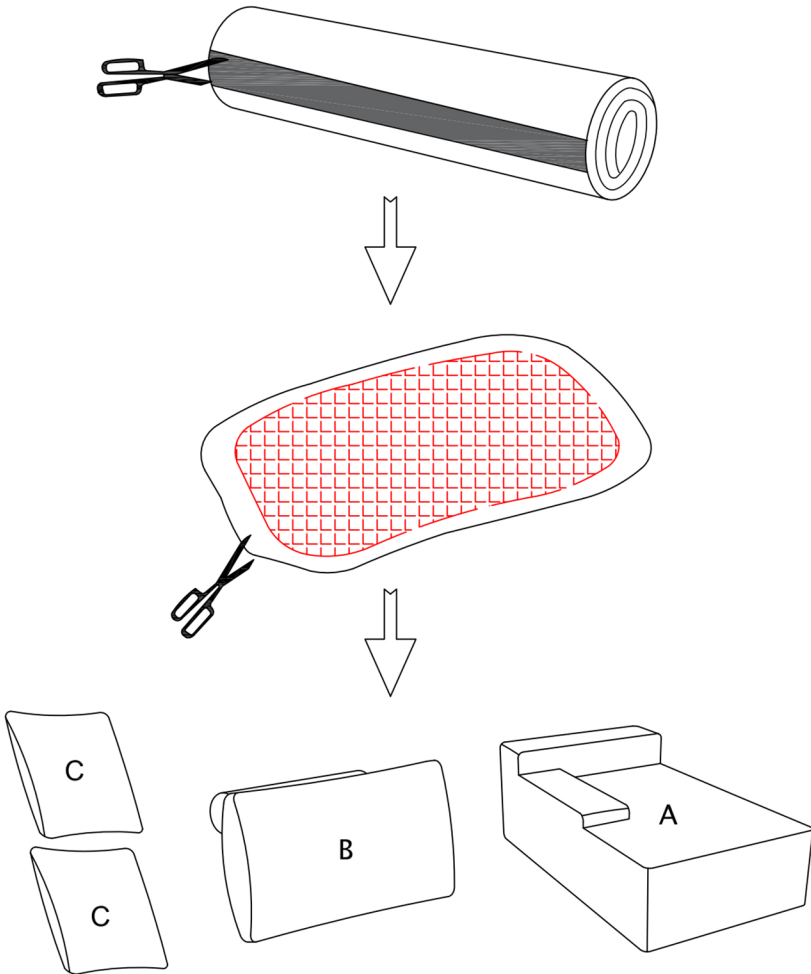


Please be aware:

This chair does not come with extra accessories fittings (such as bolts, washers etc.)

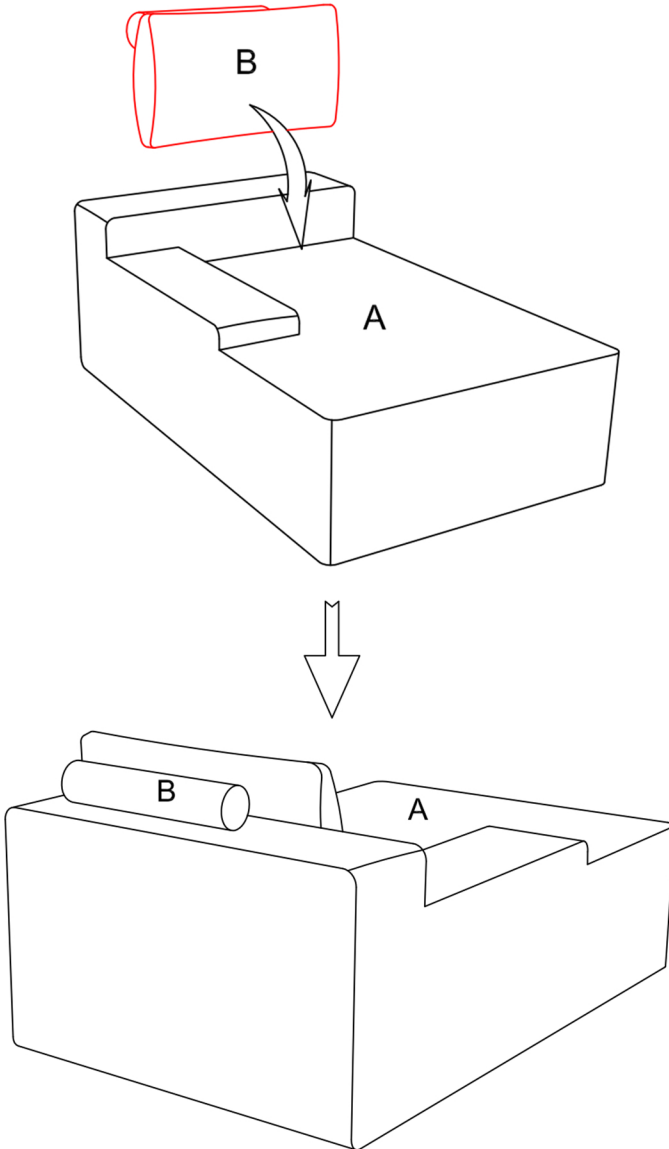
step 1

Take out the roll of compressed product from the box.
Cut open the compression bag along the paper strip on the roll bag.
Remove the sofa and let them rest to recover their shape.
Full recovery may take up to **72** hours, but you can gently slap the sofa to speed up the process.



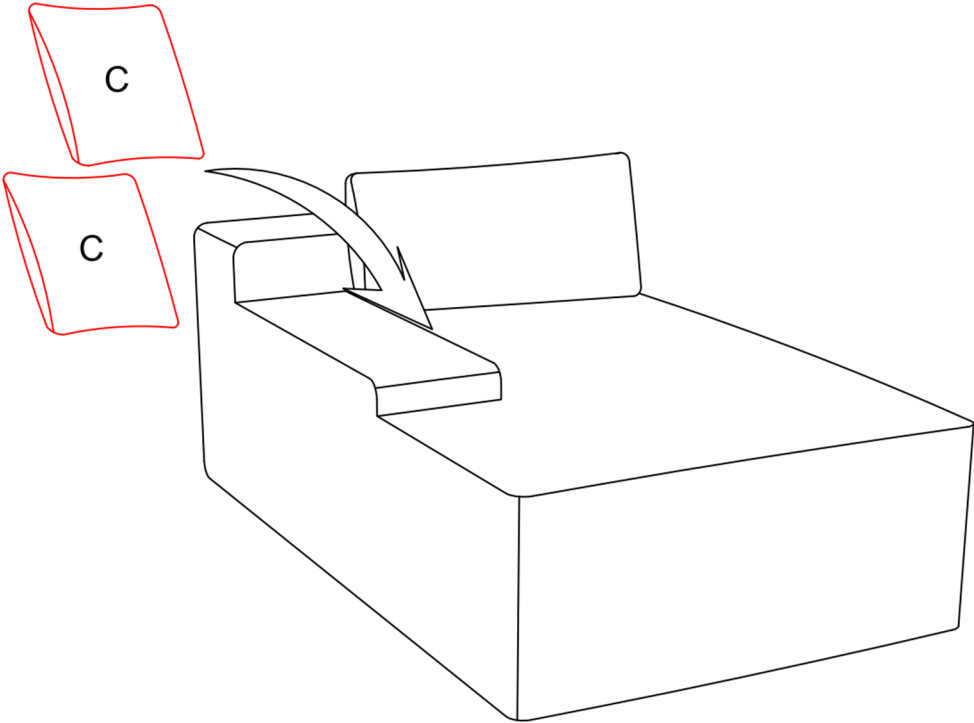
step 2

Please back cushion (B) on it.



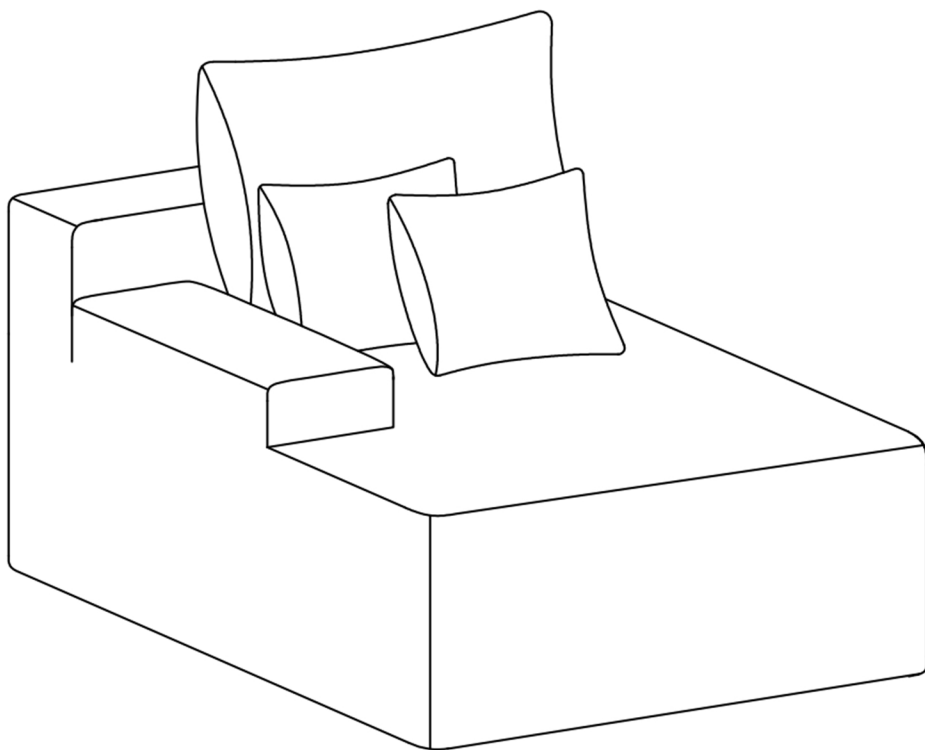
step 3

Please pillow (C) on it.



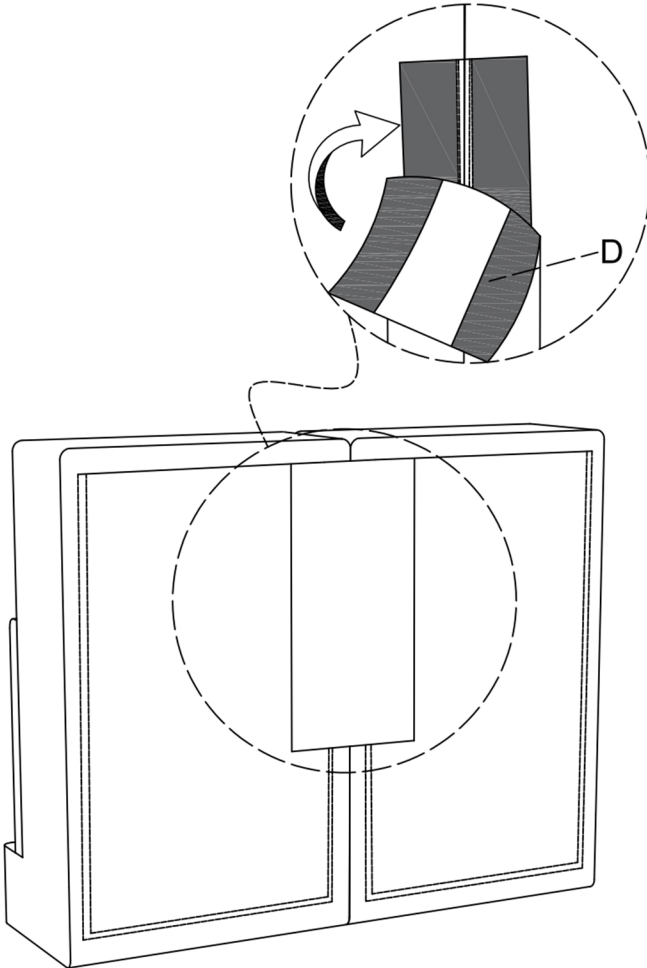
step 4

Clean up the mess and start enjoying it. congratulations! you have completed the assembly, now it's all yours. thank you for reading!



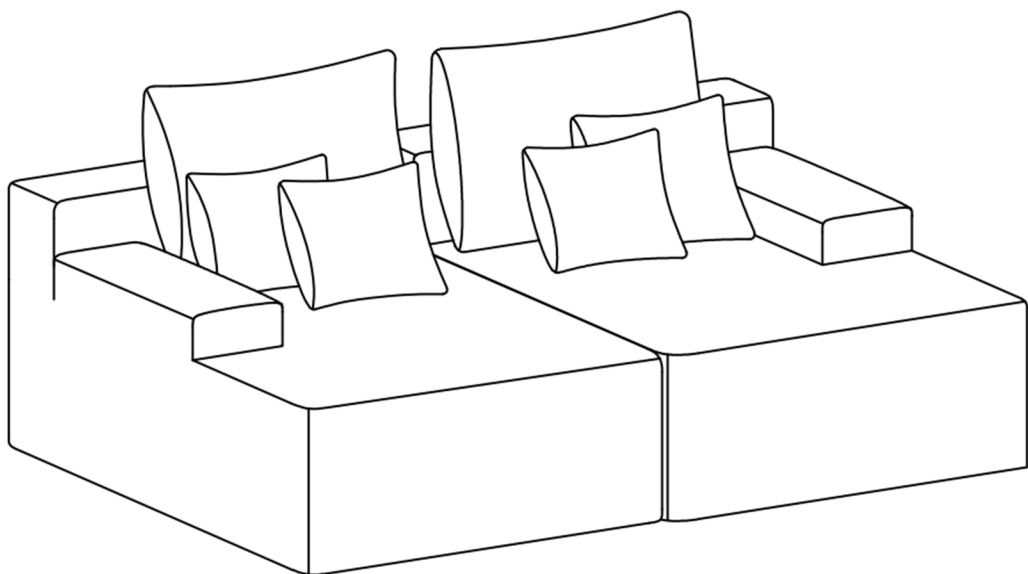
step 5

Flip over the sofa parts, and place two parts together as close as possible. Then stick the connecting stripes underneath the sofa as shown.



step 6

Clean up the mess and start enjoying it. congratulations! you have completed the assembly, now it's all yours. thank you for reading!



step 7



NOTICE

The product requires at least **72 HOURS** to return to its original shape after being removed from the air compression bag.

The restore period is **IMPORTANT** for the product please try not to use it while restoring.

