

## What's included

Description	Qty
A Top Panel	1
B Left Side Panel	1
C Right Side Panel	1
D Bottom Panel	1
E Shelf	1
F Door Panel	2
G Back Panel	1
H Top (Front & Back) Rail	2
I Bottom Back Rail	1
J Bottom Metal Stretcher	1
K Front and Back Metal Stretcher	2
L Metal Frame	2

### Estimated time for assembly



60:00

### What you need

- Some of your favourite bubbly or your preferred relaxant
- Use the packaging carton as a working surface to prevent product damage during assembly
- Phillips head screwdriver

Do not use a drill



### Weight Limitation



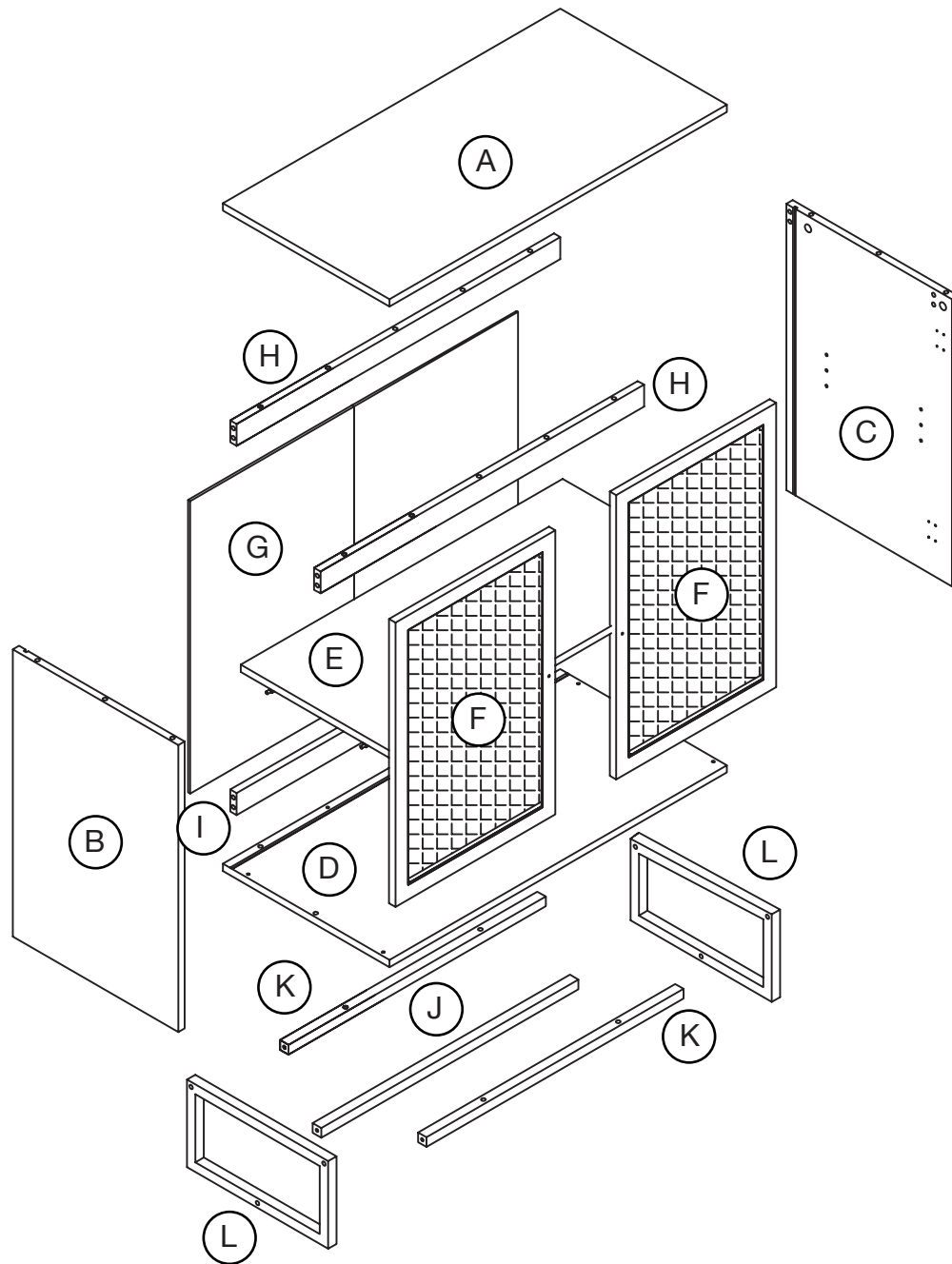
90

lbs for top

26

lbs per shelf

# The goods



## IMPORTANT

1. Do not tighten bolts / screws completely until all bolts / screws are lined up and inserted into holes.
2. Do not over tighten screws and bolts to avoid stripping.
3. Please use hand tools to assemble this product. Do not use power tools.

# What's included

	Description	Qty
1	M6*30mm Cam Bolt	14
2	8*30mm Wooden Dowel	19
3	15*9.5mm Cam Lock	14
4	Hinge	4
5	Plastic Strip	1
6	Metal Connector	2
7	M6*30mm Wall Anchor	1
8	M4.2*35mm Screw	1
9	M4.2*17mm Screw	1
10	M4*14mm Screw	24
11	Handle	2
12	M4*20mm Bolt	2
13	M6*30mm Bolt	10
14	M4.2*40mm Screw	6
15	Magnetic Door Catcher	2
16	M3*16mm Screw	4
17	M3*12mm Screw	4
18	Adjustable Leveler	4
19	Metal Support for Shelf	4
20	Allen Key	1
21	Metal Plate	4

# The goods

1



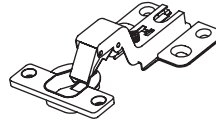
2



3



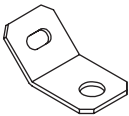
4



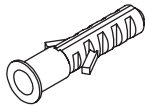
5



6



7



8



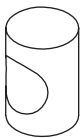
9



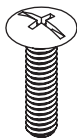
10



11



12



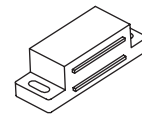
13



14



15



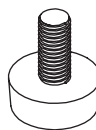
16



17



18



19



20



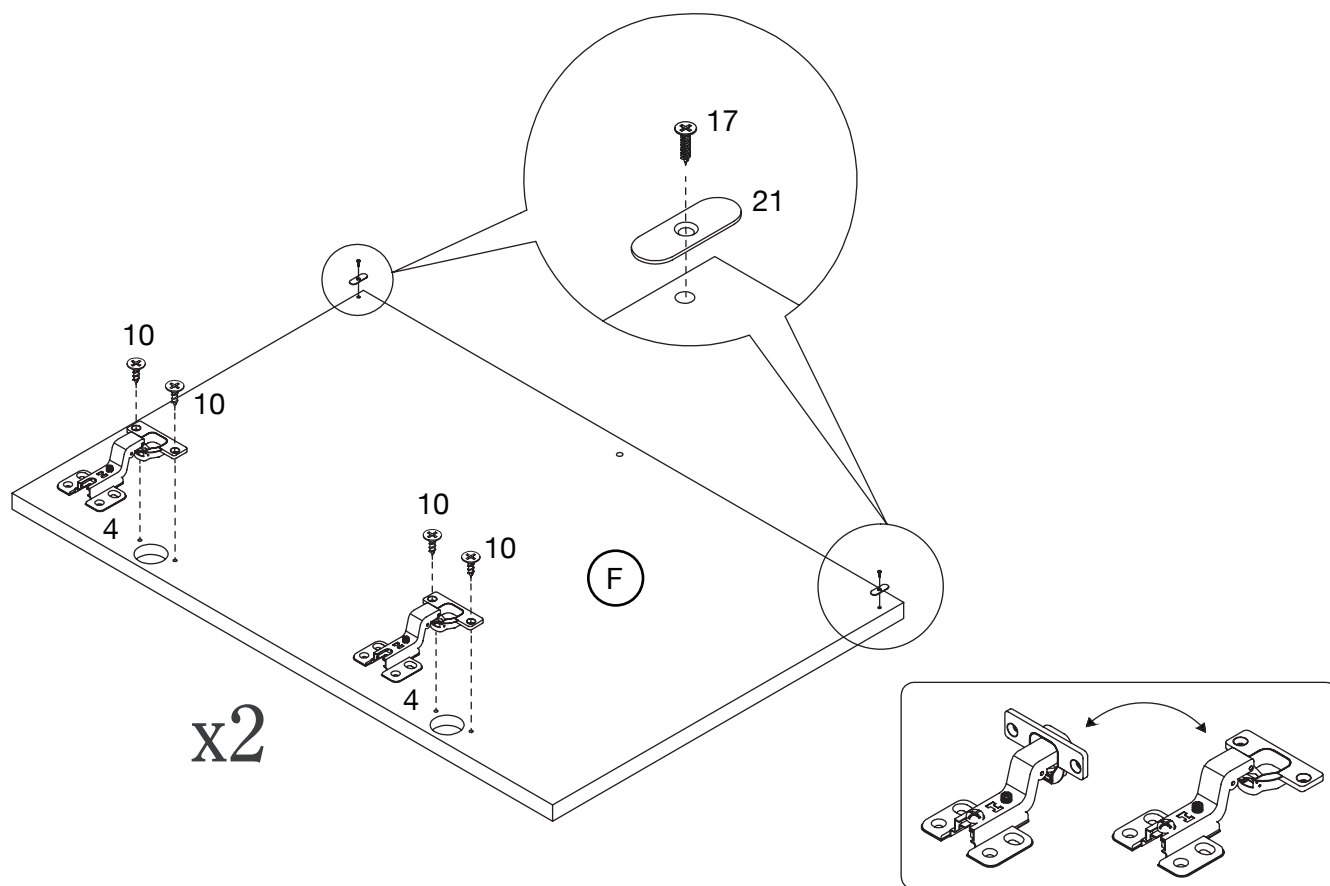
21



# Step 1

Let's get this thing fired up! Lay down packaging carton or use carpet as a working surface.

We're startin' off easy. Secure the Hinges (4) and Metal Plates (21) to both sets of doors.

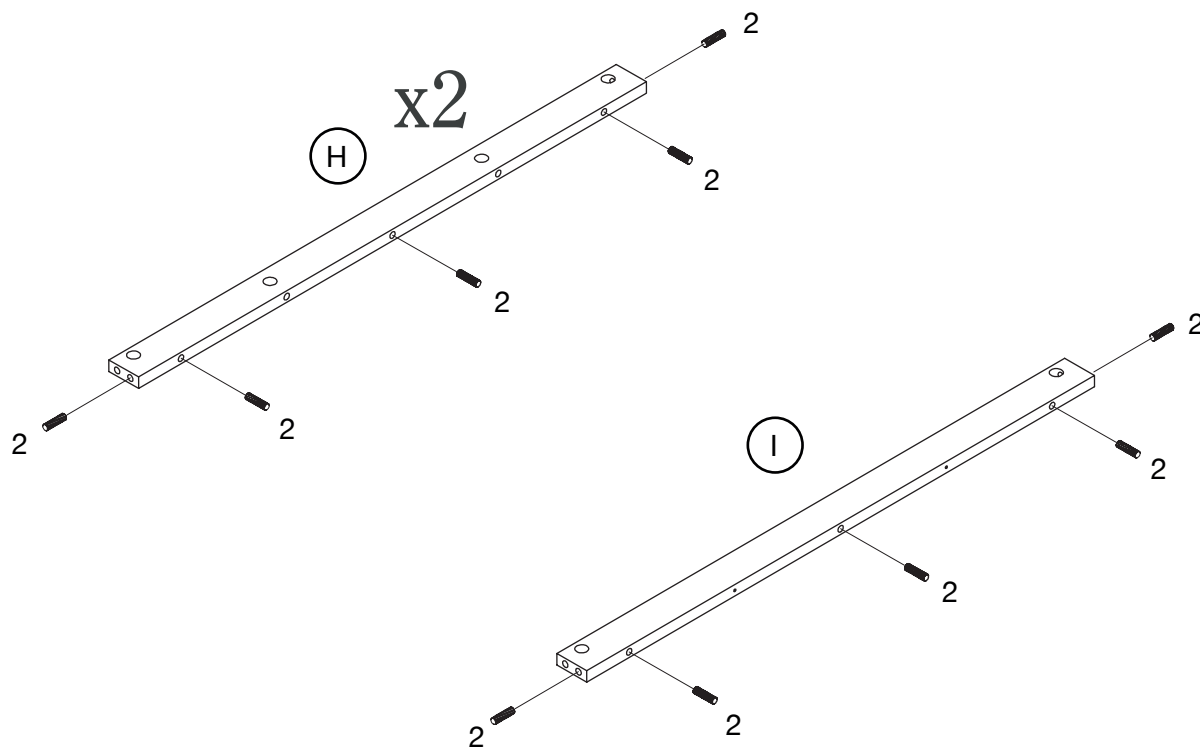


Tip from a friend to a friend: save yourself some trouble and make sure the hinge lays flat against the door when securing!

# Step 2

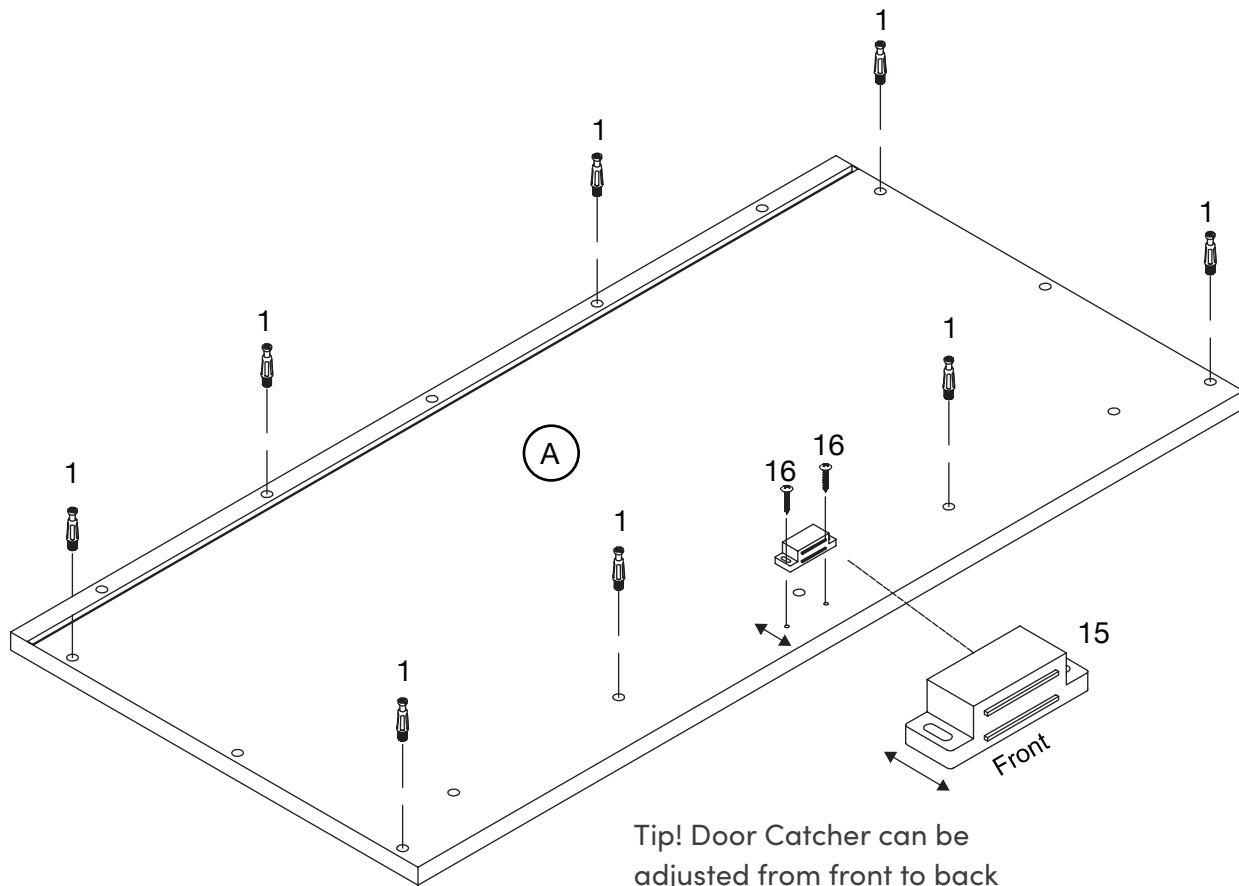
How much wood would a woodchuck chuck  
If a woodchuck could chuck wood? It's time to  
put in your wooden dowels (2)!

Repeat this step with both of the Top Rails (H).



# Step 3

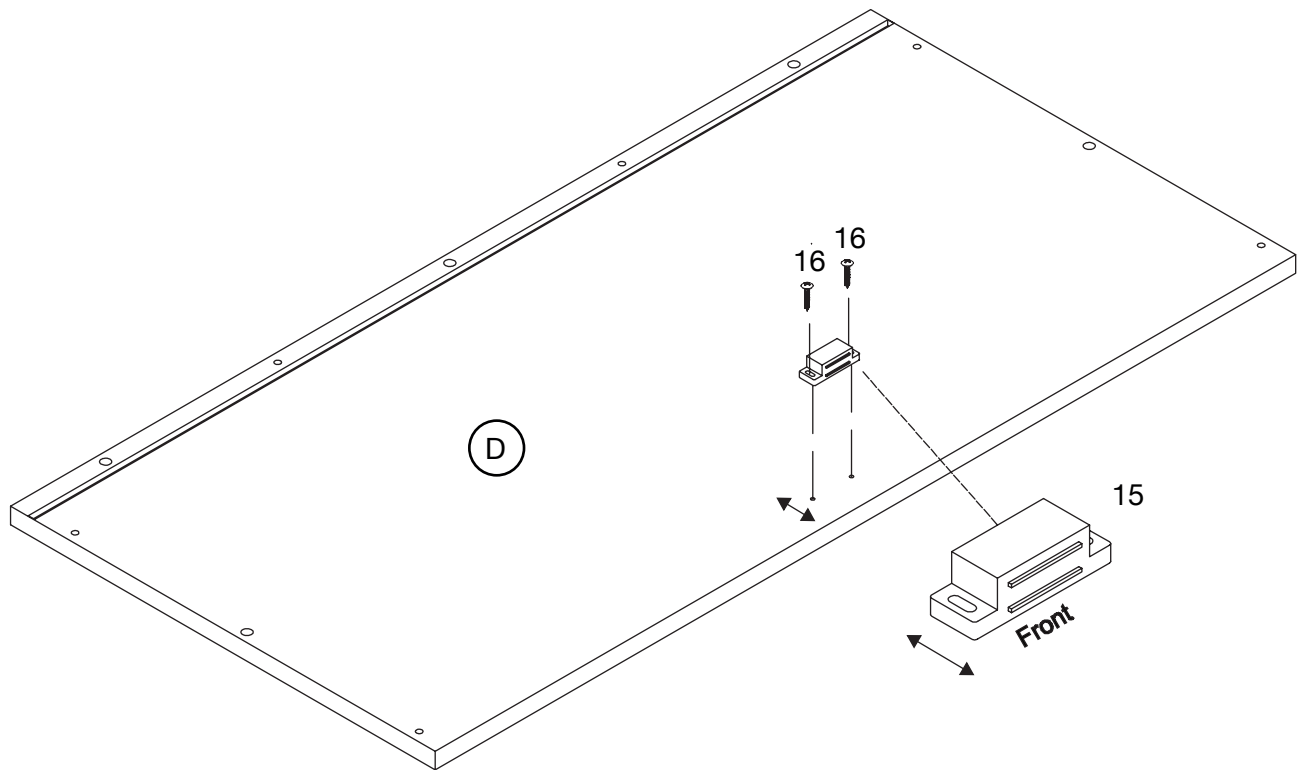
Screw the Cam Bolts (1) and  
Magnetic Door Catcher (15)  
to the Top Panel (A).



Tip! Door Catcher can be  
adjusted from front to back  
for proper door alignment.

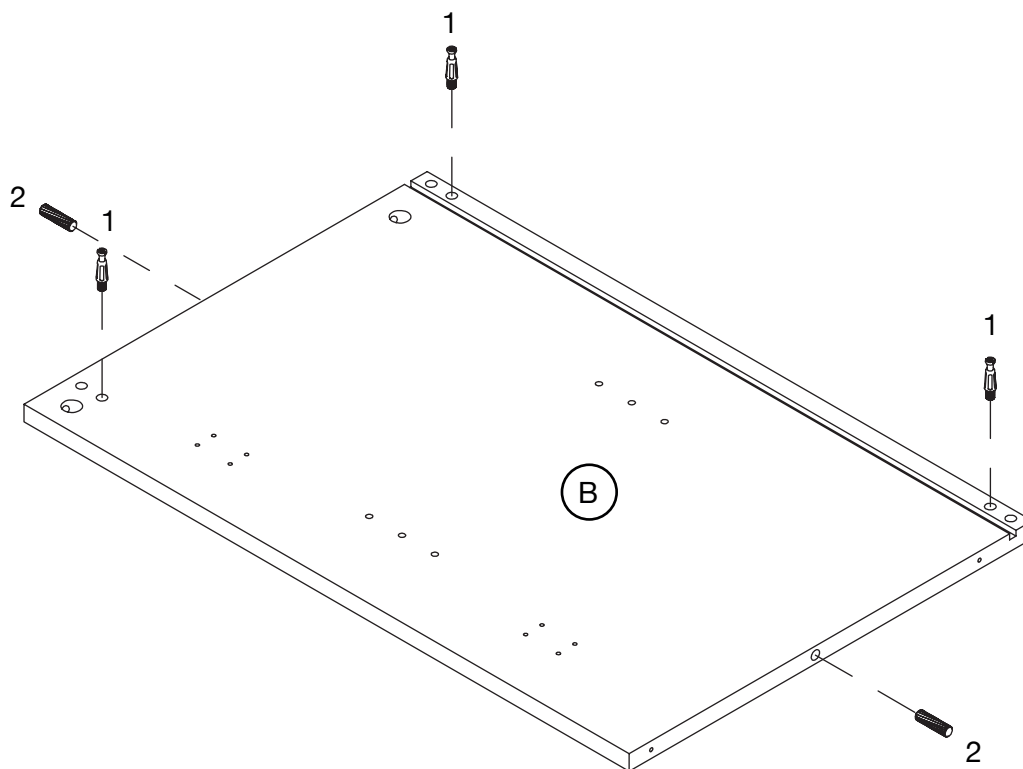
# Step 4

Attach the other Magnetic Door Catcher (15) to the Bottom Panel (D).



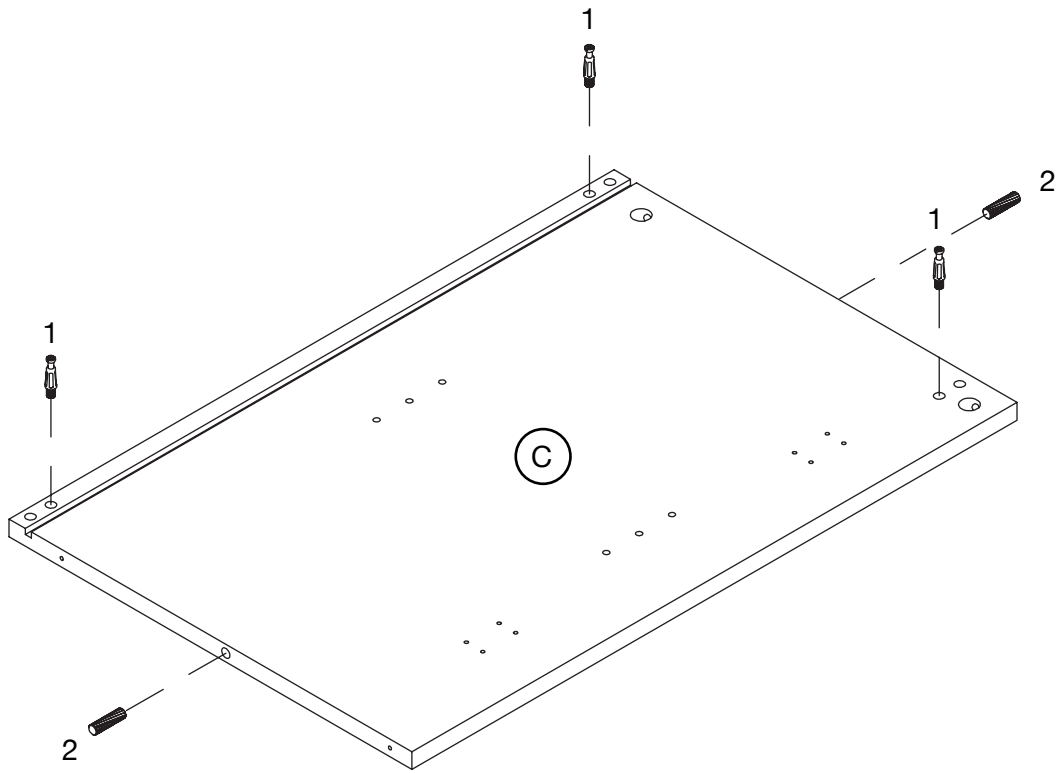
# Step 5

Secure the Cam Bolts (1) and Wooden Dowels (2) to the Left Side Panel (B).



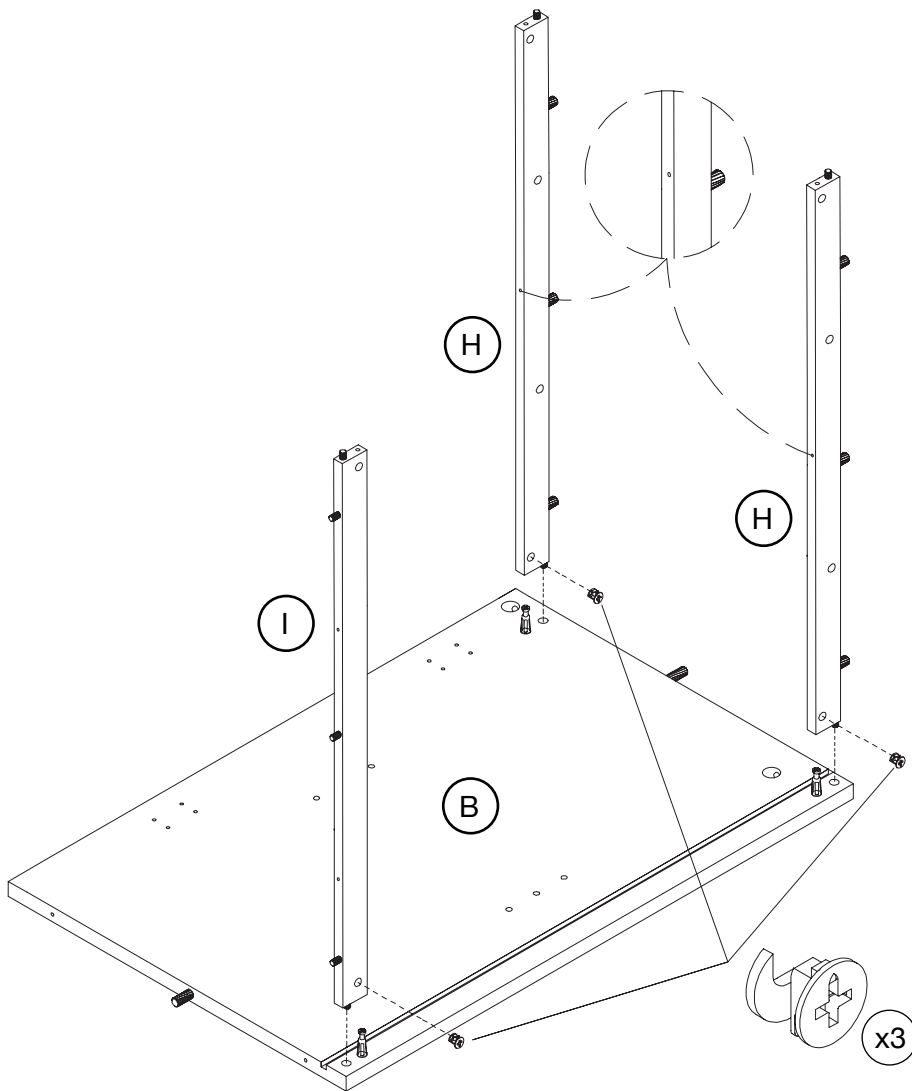
# Step 6

No, this isn't Deja Vu! Repeat Step 5 with the Right Side Panel (C).



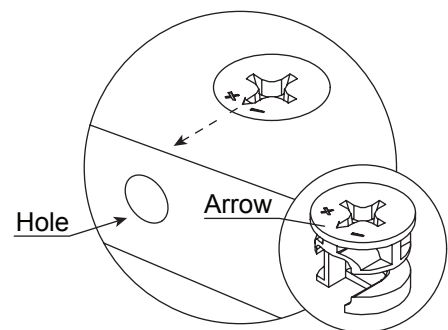
# Step 7

Attach the Top Rails (H) and Bottom Back Rail (I) to Left Side Panel (B) using the Cam Locks (3).



**Important Note:**

The cam lock must point toward the hole on the edge of the board.



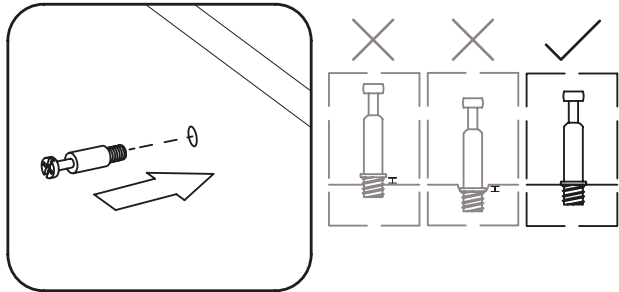
# How to use cam locks

Did you know?

Cam locks are used to join two panels together, usually the edge of one to the flat side of another.

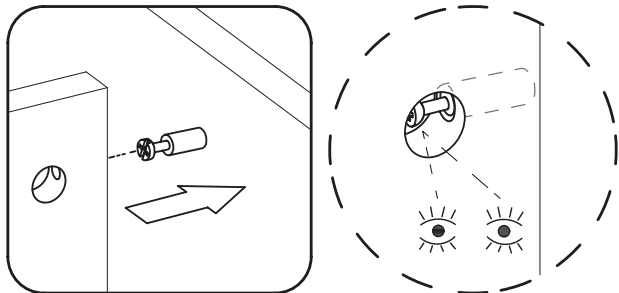
First, your cam bolt (or cam pin) will need to be properly inserted into the flat side of the board.

Important Note: Only tighten the cam bolt until it is secure. Do not over-tighten.



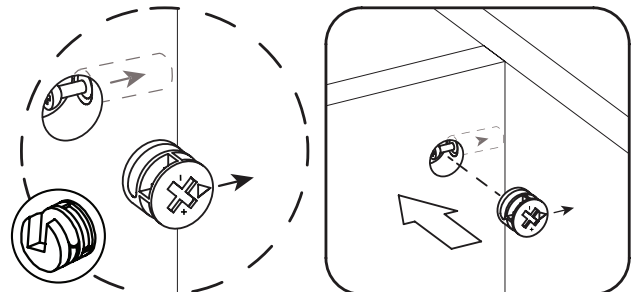
Next, you will fit the proper hole on the edge of the associated joining panel over the cam bolt.

Important Note: When installed properly, the head of the cam bolt will be visible through the larger hole on the side of the joining panel.



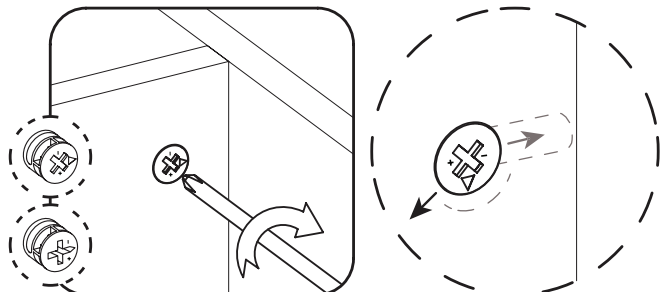
Next, you will notice the cam lock has a “C” shaped back. Commonly, an arrow on the front of the cam lock points in the same direction as the open section on back.

Using these as your cue, insert the cam lock into the large hole so the opening of the “C” fits over the head of the cam bolt.



Using a screwdriver, you will turn the cam lock until it stops, usually between 130° or 180°. You will feel the panels pulling closer until they are secured.

Important Note: Only turn the cam lock until the panels are fully engaged & feel secure. Turning too far may lead to hardware failure.



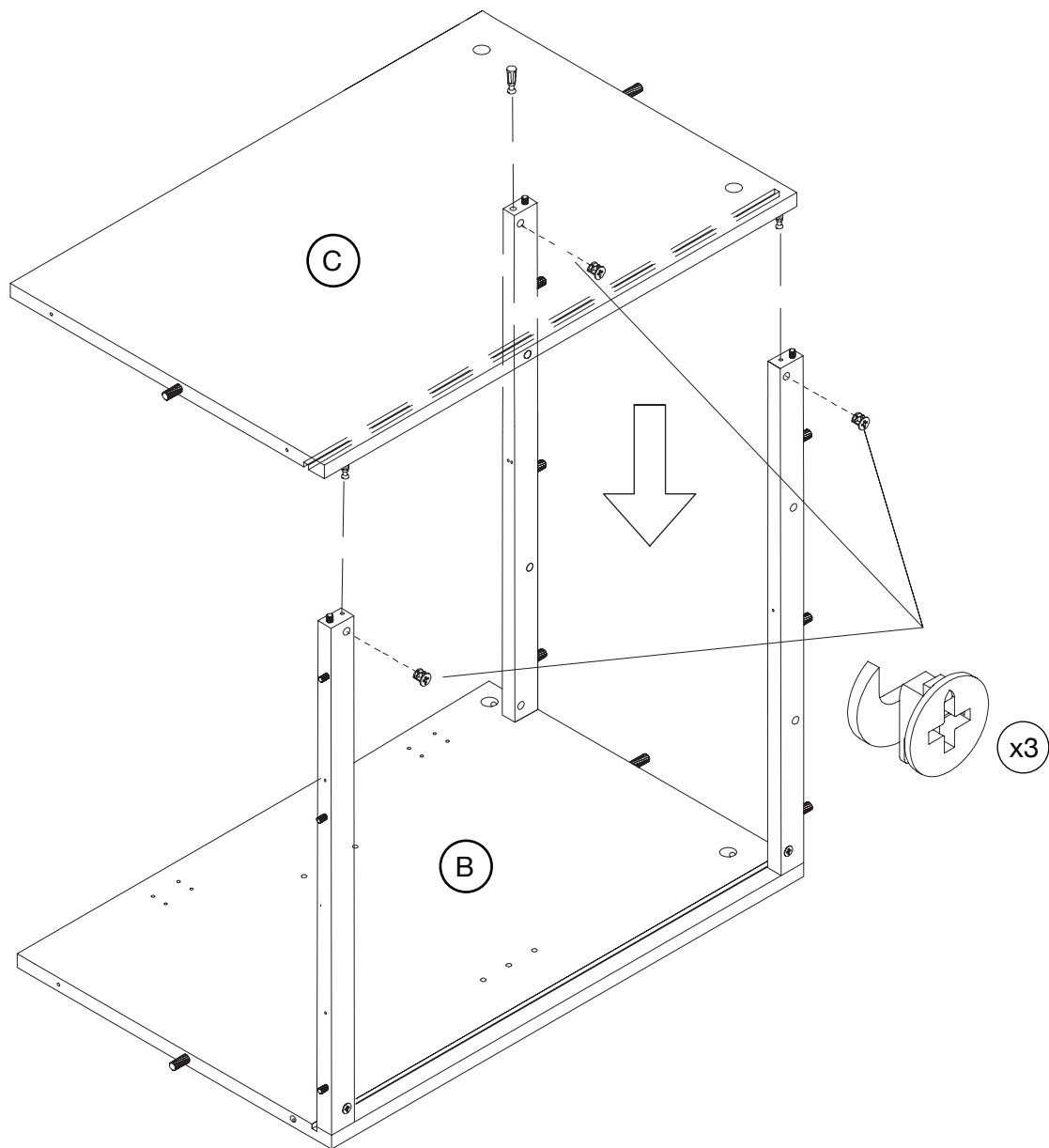
## Still having issues?

If a cam lock seems to be spinning in place or is not “catching” or pulling the panels together as expected, first remove the cam lock & try again while making sure that everything is properly positioned & oriented.

If you are still having issues getting things working as expected, first remove the cam lock then unscrew the cam bolt slightly (less than 1 complete turn) to see if that helps with the alignment of the cam lock & bolt .

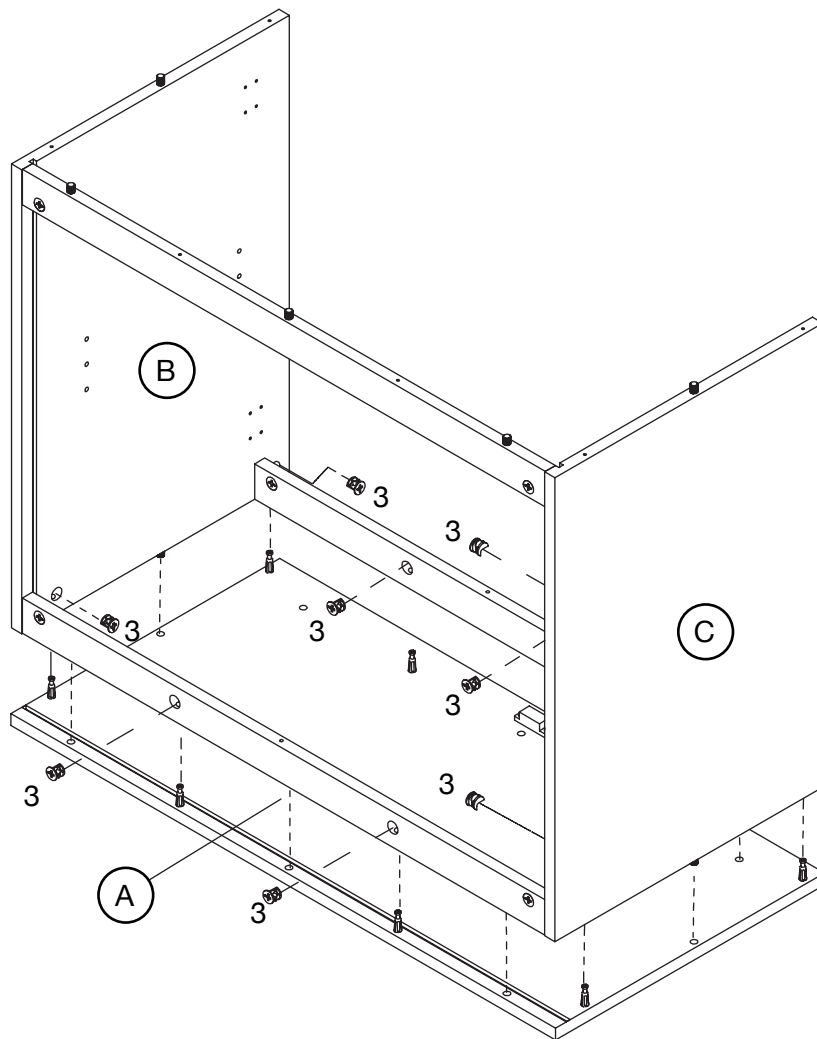
# Step 7 cont.

Next, attach the Right Side Panel (C) to the Top Rails (H) and Bottom Rack Rail (I) using the Cam Locks (3).



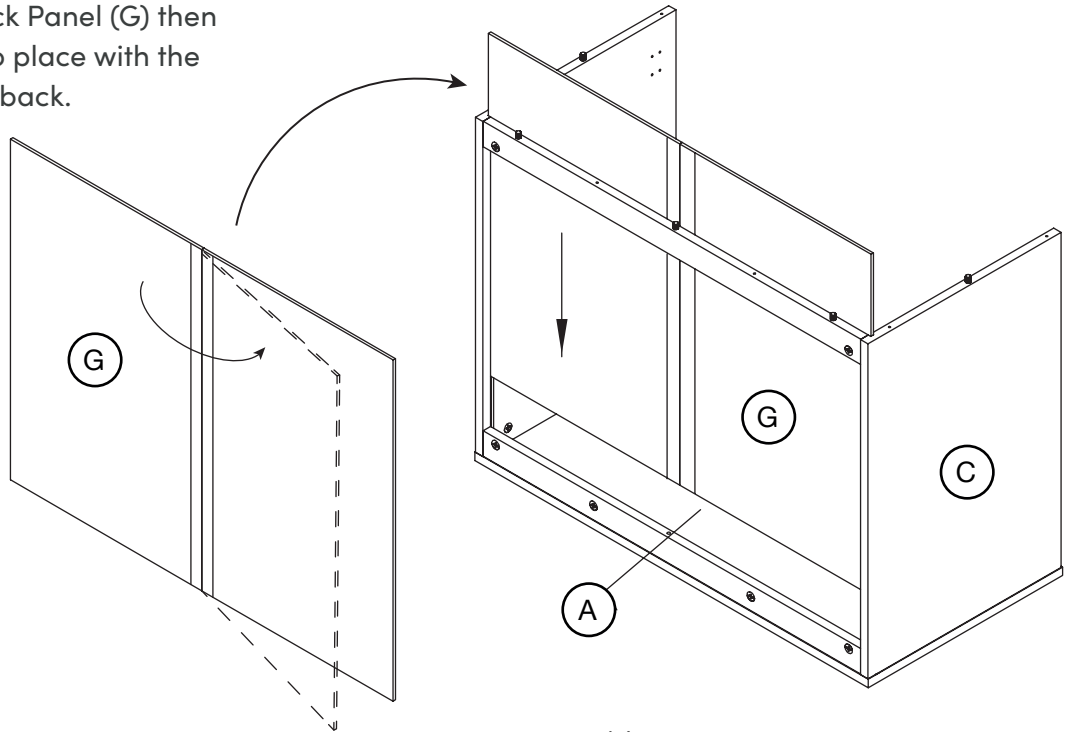
# Step 8

Using the Cam Bolts (A) again, secure the Top Panel to what you built from Step 7.  
Spoiler alert: you're over halfway finished!



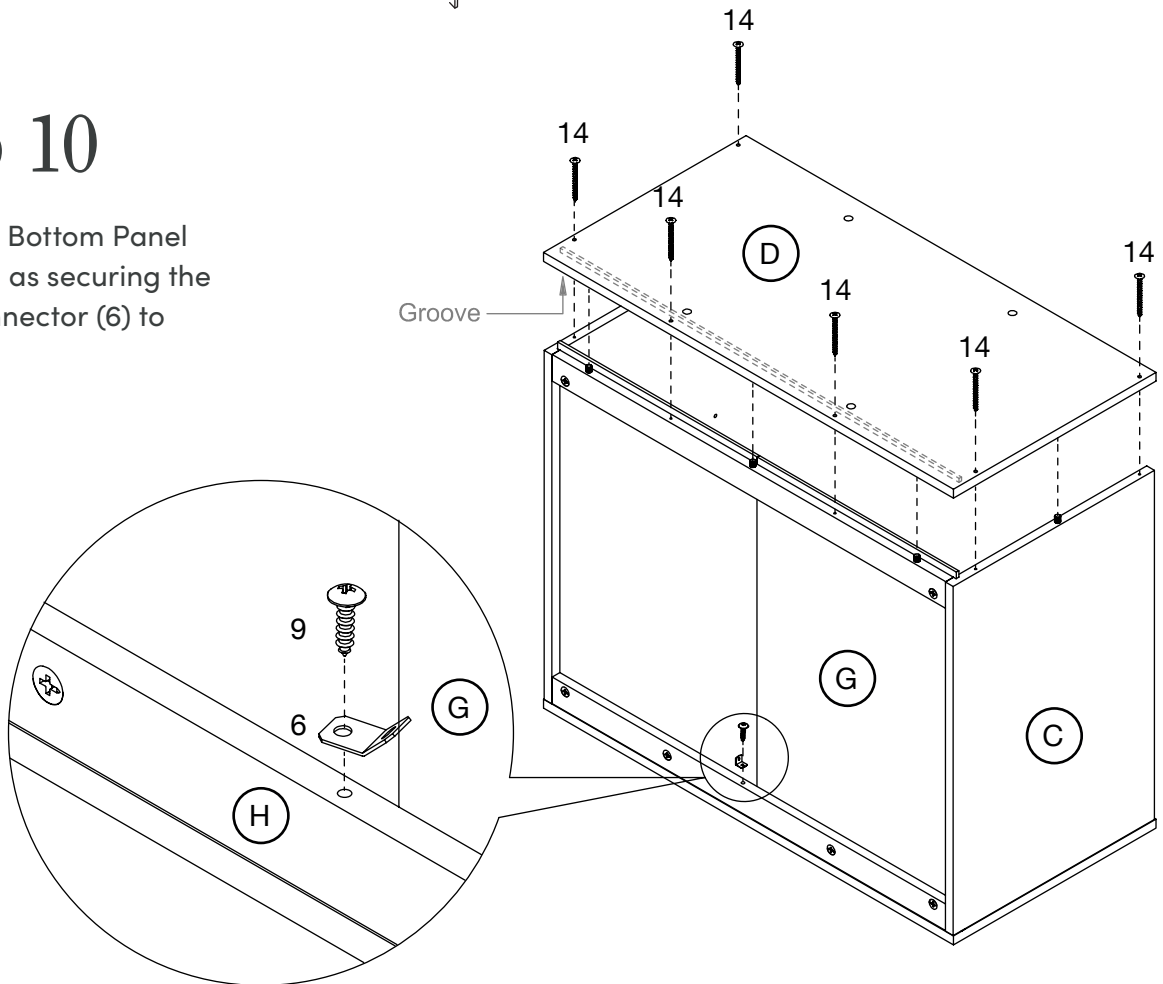
# Step 9

First, unfold the Back Panel (G) then carefully slide it into place with the taped seam facing back.



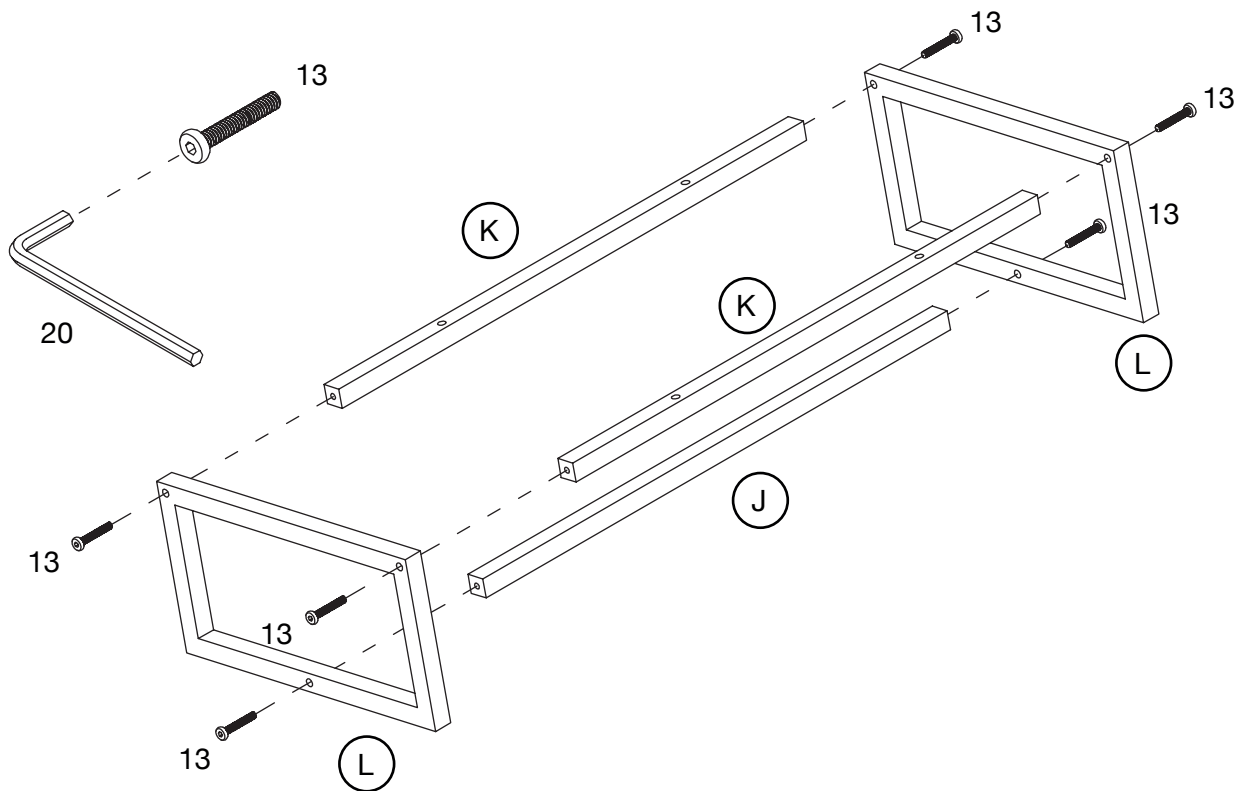
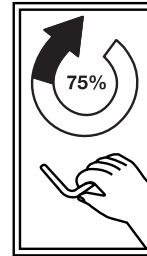
# Step 10

Attach the Bottom Panel (D) as well as securing the Metal Connector (6) to Part H.



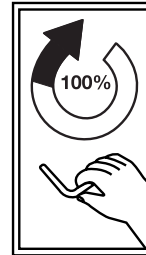
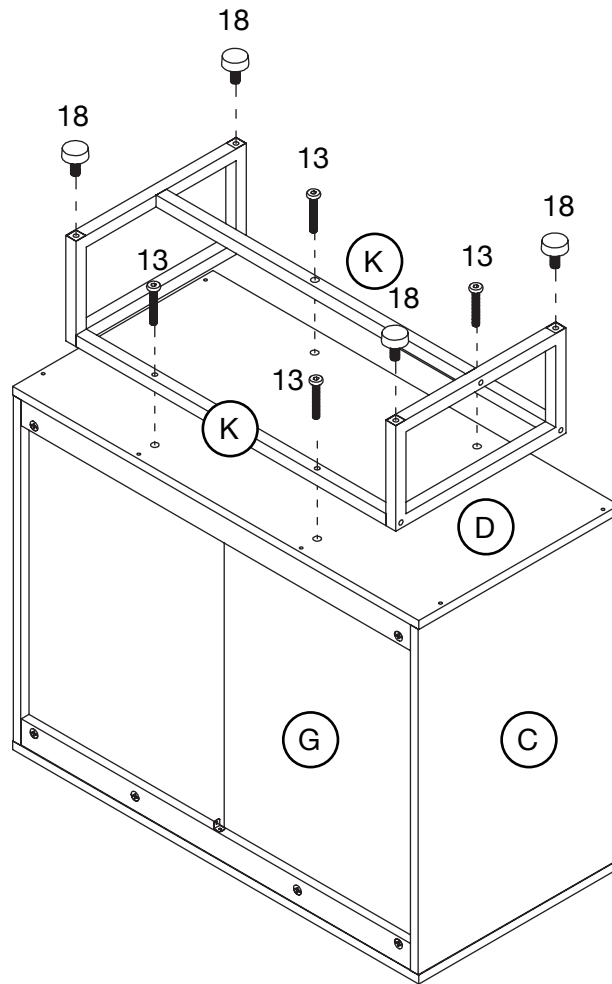
# Step 11

Time to get the legs built! We take leg day very seriously around here. Using the provided Allen Key, tighten all pieces shown to 75%.



# Step 12

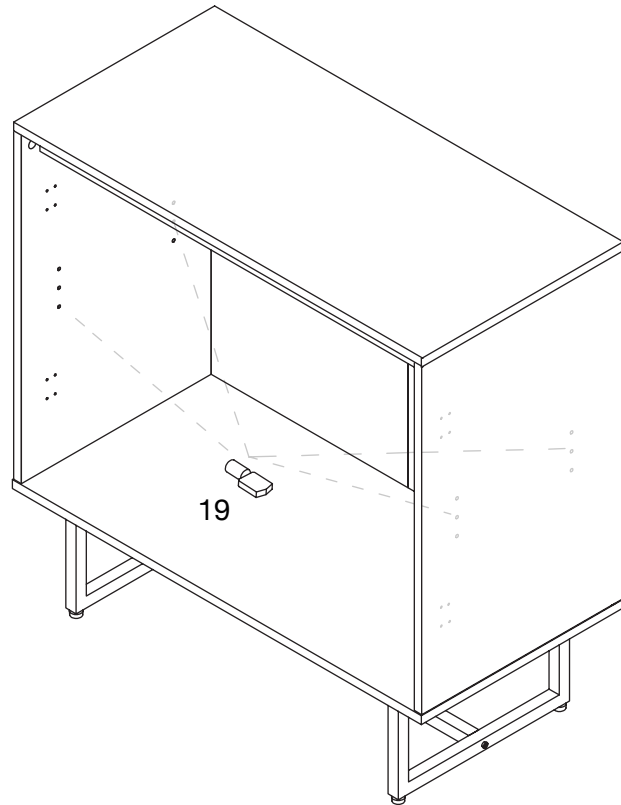
Time to get those gorgeous legs onto the unit! You can tighten these bolts to 100%. Once tightened, twist on the Adjustable Levelers (18) to the corner of the legs.



Now would be a great time to grab a sparkling water or snack as we head into the final steps!

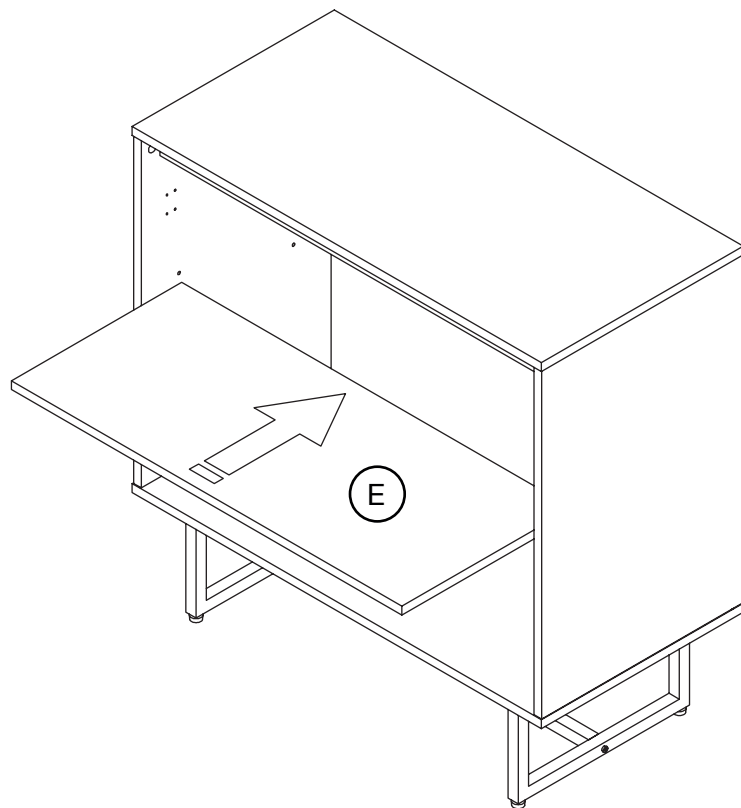
# Step 13

Carefully flip the unit over (grab a friend if you need help!) and twist on the Metal Supports (19) to where you want your shelf to rest.



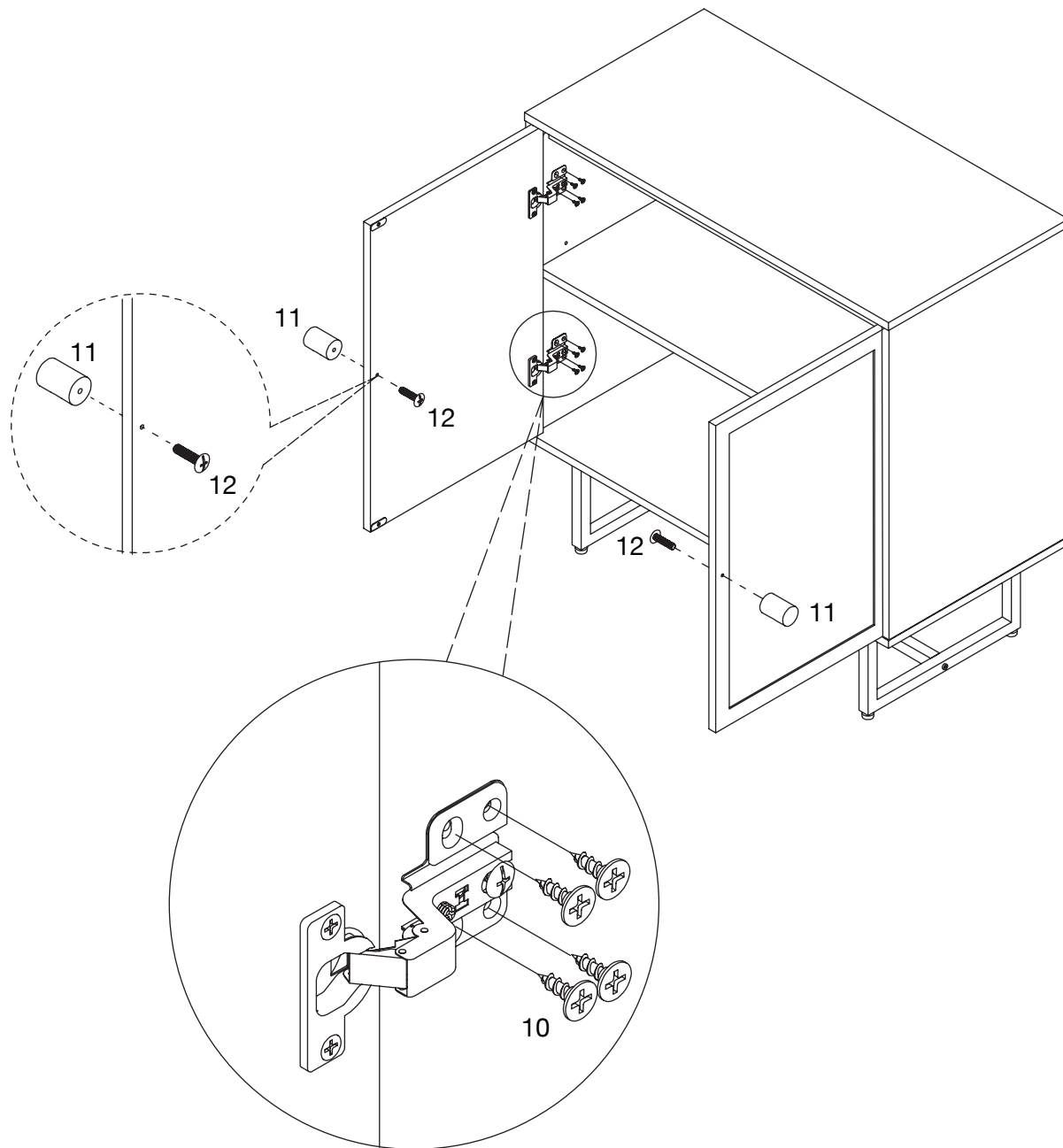
# Step 14

Is it just us or is it extremely satisfying to finally put that shelf in? It's all coming together!



# Step 15

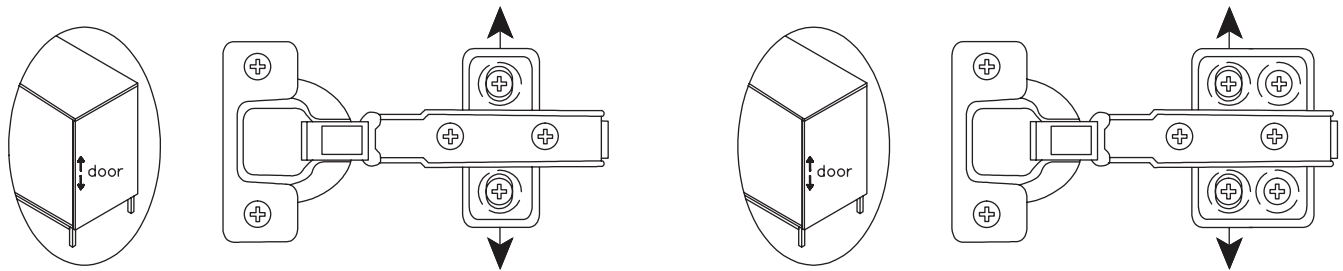
Let's get those doors and handles on and then you're two steps away from being done! We're sorry to keep you from your Netflix series for so long.



# Is your cabinet door looking crooked or unevenly spaced?

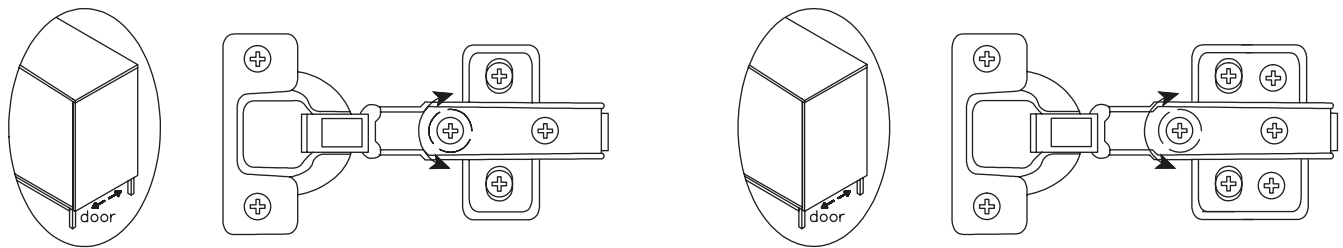
Then you've come to the right place. Follow the illustrations below to get your cabinet door aligned and ready for action.

## If your door is too low or too high...



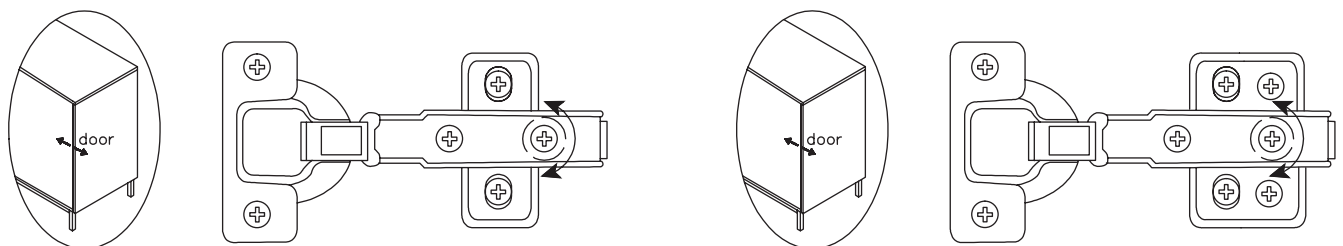
Loosen the height screws, then move the door up or down to make it level.

## If the space between your doors is off...



Loosen the side-to-side screws, then screw counter-clockwise to make the gap wider or clockwise to close any gaps.

## If you need to adjust the depth of the doors...

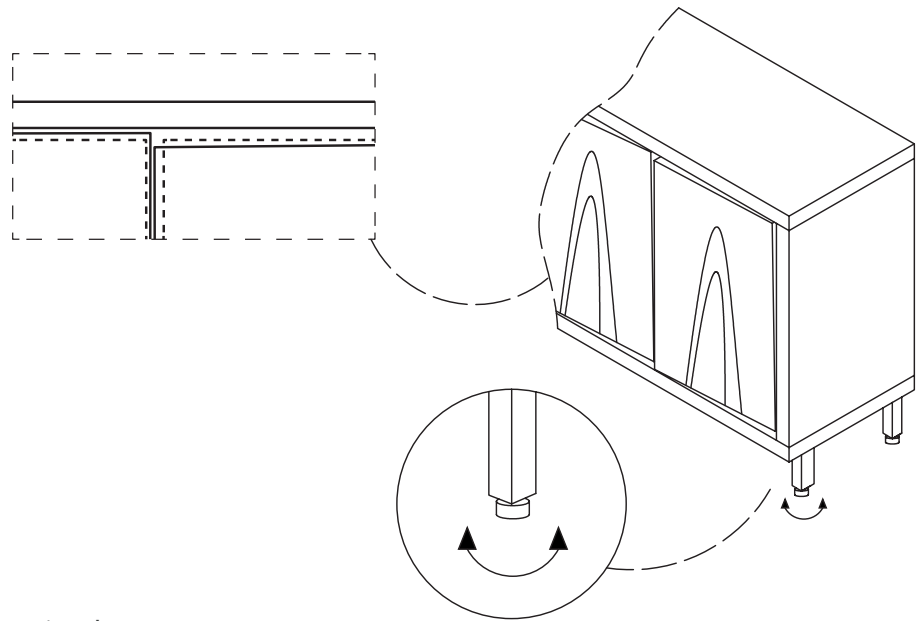


Adjust the in-and-out screws until the door is aligned with the side of the cabinet.

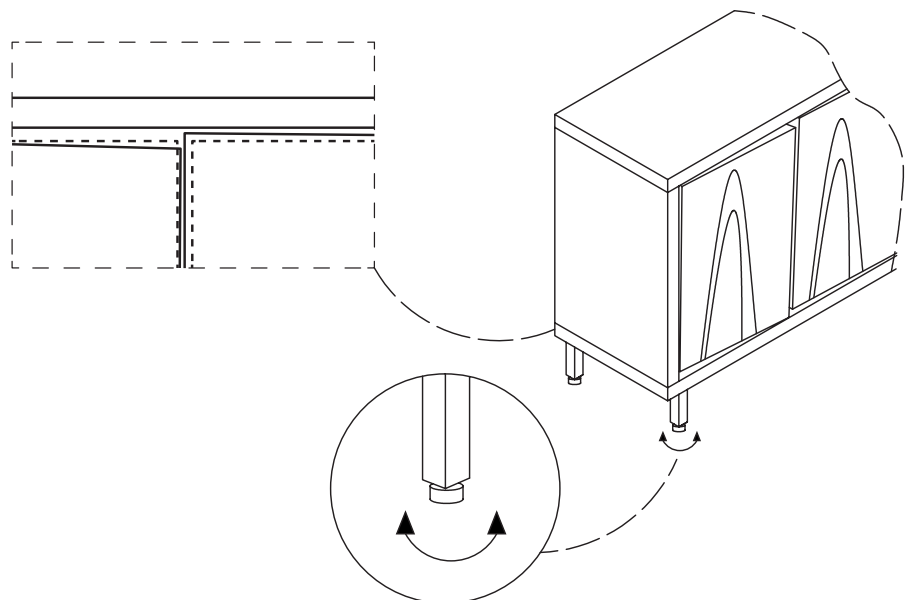
# Is your cabinet door looking crooked or unevenly spaced? (Cont.)

If you're still having trouble lining everything up, your next step should be to try to adjust the feet slightly to square up the cabinet & doors. Follow the illustrations below:

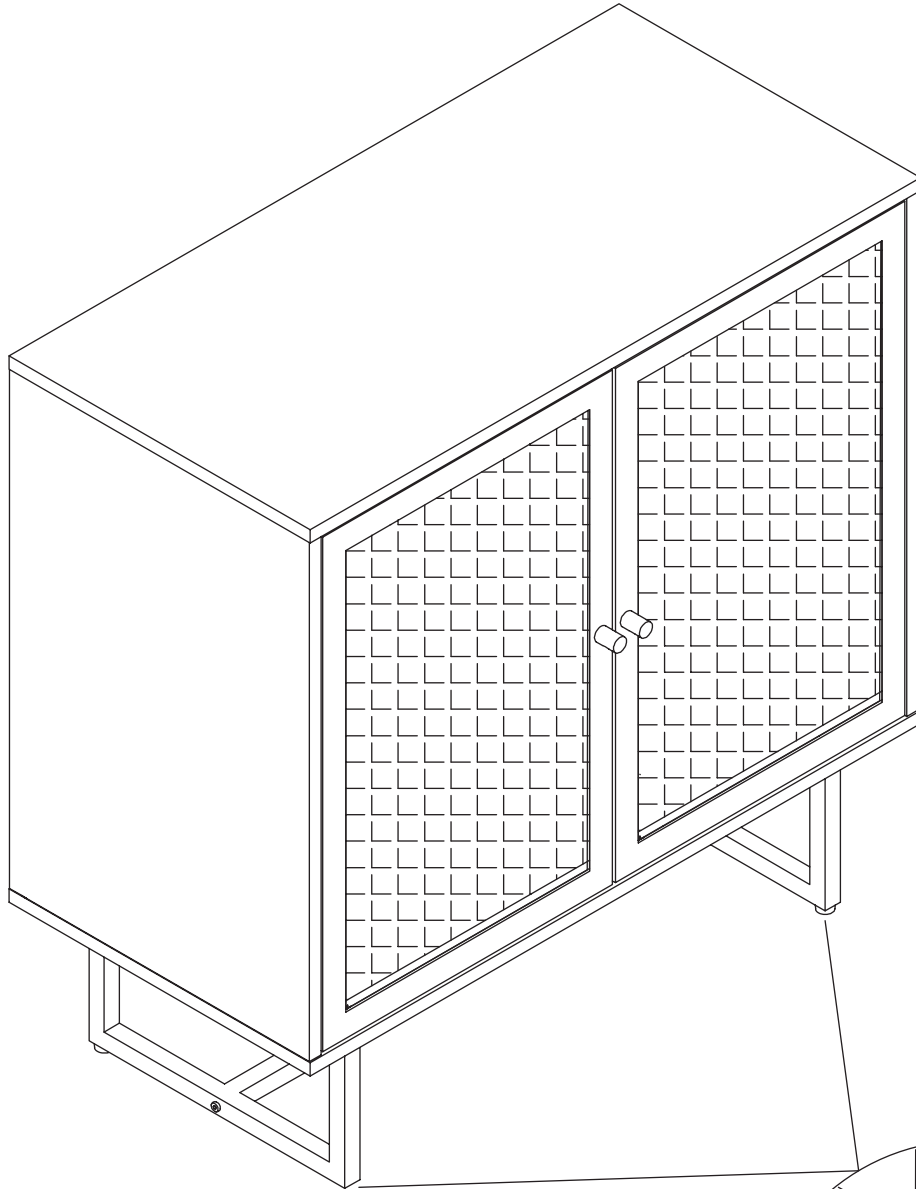
If the right door appears to be hanging low, you can adjust the adjustable leveler on the front right until the door is better aligned.



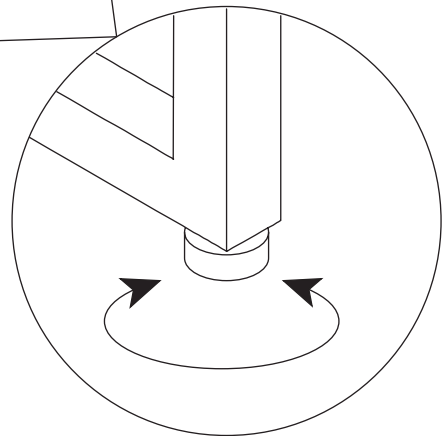
If the left door appears to be hanging low, you can adjust the adjustable leveler on the front left until the door is better aligned.



# Step 16

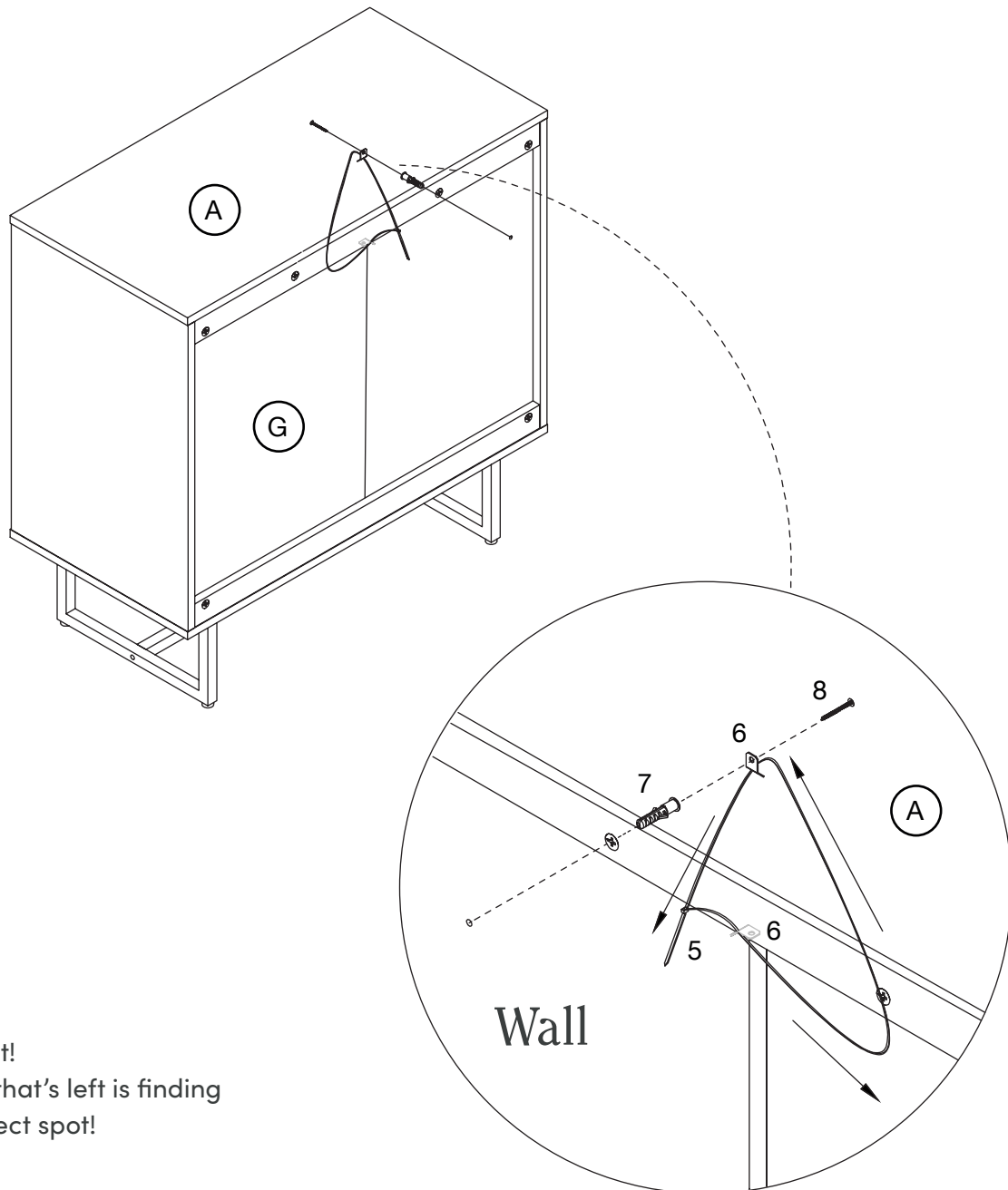


Wobbly or unlevel?  
Adjust feet until stable!



# Step 17

Our favorite step! Because it's the last step! Take your beautiful cabinet and secure it to the wall by looping the Plastic Strip (5) through the Metal Connector (6) and screwing it into the wall using the Wall Anchor (7).



You did it!  
Now all that's left is finding  
the perfect spot!

We do our best to ensure your furniture arrives without any problems, but occasionally mistakes happen—as humans we are imperfect beings. In the event that a part is damaged or missing, we will be more than happy to provide you with replacement part(s) for free.

### **Warranty**

This product comes with a lifetime warranty from the date of purchase. Please use your phone to register your product or visit .

#### **Did we do alright? Please spread the love!**

If you are happy with your product, tell your friends and family about us or even better leave us a review online. Spreading the word gives us the opportunity to make more people happy and keep our prices low for your next purchase.